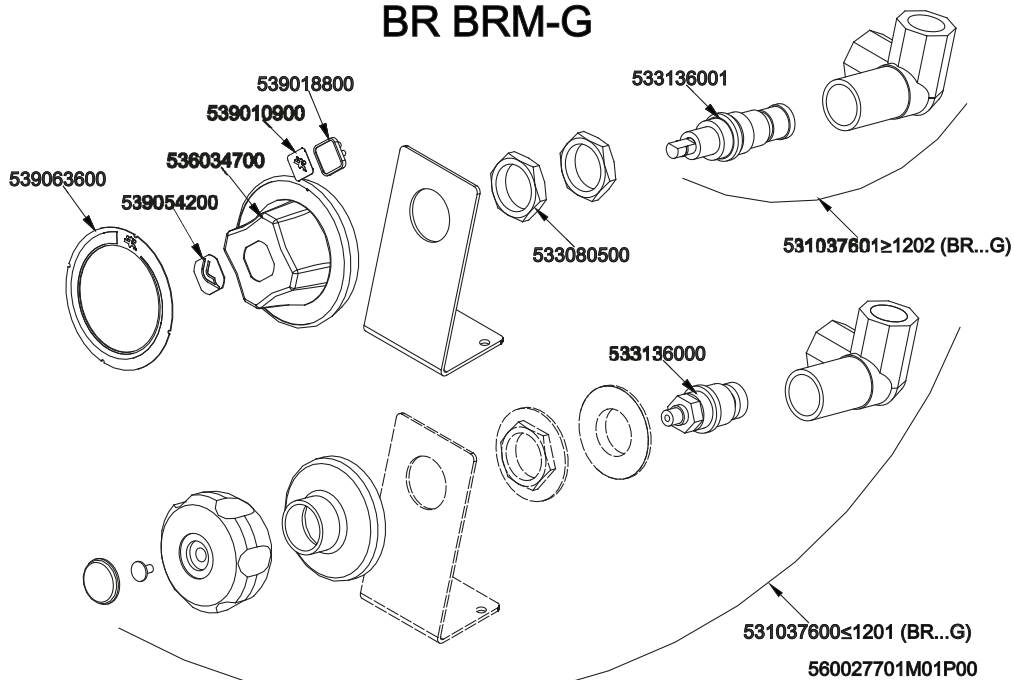


### BR BRM-G



Page	Pos	Code	Description
001		541134000	NEUTRAL LOW SPACER 74
001		531021501	BASKET SUPPORT GRID CP S.70
001		544412900	BASKET HOLDER FOR DRAINAGE OF CP90
001		537035400	HEATING ELEMENT 00003W 330KOHM W/F
001		537012300	THERMOSTAT 35/111°C THREEPHASE
001		537014100	WHITE WARNING LIGHT 250V
001		537001200	FIXING BRACKET FOR THERMOSTAT/COMM.
001		537014200	GREEN WARNING LIGHT 250V
001		539018900	INDEX FOR KNOB W/RED SIGN
001		539061100	RED STICKING DISK 72 (030,110°
001		537000200	COMMUTATOR 1 POS. 3PHASE S.49 16A
001		536034400	KNOB §77 4P. §06*4,6 C/M
001		539054200	STAMP Ø20,5 CR."L" LOTUS R.
001		531042800	SEMISPHERE FILTER
001		541105502	UPPER PLATE CP-74E
001		533024700	HEXAGONAL NUT 1G ZN
001		537036500	TERMINAL BLOCK 4POLES 40A SCREW-SCR
001		536009700	GASKET O-RING SILIC.70 RED
001		537021100	HEATING ELEMENT 2000W
001		537021200	HEATING ELEMENT 2000W
001		537027400	TERMINAL BLOCK THREEPHASE 40A
001		544173500	LEFT SIDE PANEL S.70
001		541120501	FRONT PANEL S607090 BM-74/94E
001		533040000	1"G F-F-F "T" FITTING
001		531018600	BALL VALVE 1"G M-F CPM-62G
001		531015900	ADJUSTABLE LEG 2"
001		536005200	INOX LEG 2" 120-180 M10
001		544173400	RIGHT SIDE PANEL S.70
001		533038200	1" G M-F ELBOW FITTING
002		544389300	CONTROP.73 SX APP. LT
002		531007600	DOOR HINGE
002		544182501	LEFT DOOR 73
002		533094200	S/S HANDLE FOR 70/90 SERIES
002		533035200	HANDLE SPACER
002		536000200	D.12 H.4 BUMPER
002		544389200	CONTROP.73 DX APP. LT
002		544182401	RIGHT DOOR 73
002		544182101	LEFT DOOR 74
002		544389500	INNER-DOOR OF LHD 74
002		544389400	CONTROP.74 DX APP. LT
002		544182001	RIGHT DOOR 74
002		544497000	PORTA 72 SX
002		544497100	CONTROP.72 SX APP. LT
002		544185101	RIGHT DOOR 74 CF
002		533107100	HANDLE SPACER OF CF-70
002		544185500	UPPER DOOR HINGE FOR COMPARTME CF70
002		531000900	MAGNET §22 KG.3 WITH DISK
002		544185201	INNER DOOR * 74DX
002		544185400	LOWER DOOR HINGE FOR COMPARTME CF70
002		544663900	LHD 74 DOOR FOR PCI
002		544663800	74 LHD OVEN INNER DOOR FOUR PCI

Page	Pos	Code	Description
002		544662700	DOOR 74 DX PCI
002		544662600	CONTROP.74 DX APP. LT PCI
003		533010800	TUBE NUT D.10 M16*1,5
003		533155600	PERNO PER SENSORE ACQUA
003		536039100	GUIDA PER SENSORE ACQUA
003		536039000	GUARNIZ.O-RING 12,42X1,78 SILIC.
003		536039200	DISTANZIALE PER SENSORE ACQUA
003		533039300	BICONE §10
003		533159400	RACC.UN.2 U.ELETTROV.ACQUA CP
003		533144500	FITTING FOR WATER INPUT 3/4G
003		531037500	RACCORD CA.H2O 1/2G CAN.D10
003		533144900	MALE FITTING WATER INLET M16X1,5
003		533048700	NUT 1/2G ZN
003		533048800	GASKET §30*§21*2 FIBRE
003		533147000	BICONE FITTING 3/4G ZN
003		533009500	NIPPLE FOR BICONE 10S
003		533024400	HEXAGONAL NUT 1/2G TUBE D.10
003		537062900	ELETTROV.A.3/4GM-2Ø10JG 230V RPV
003		537063800	COIL ELECTROV.G.1/2GF 230V
003		533065700	FITTING FOR WATER INPUT 1/2G
003		533148100	RACC.A GOM.90° 1/2G F.M16X1,5M. (S
003		537063000	ELETTROV.G.1/2GF-1/2GF 230V
003		539010900	ADHESIVE LABEL FOR DRAIN COCK
003		533136001	SCREW TAP WATER LOAD FOR CP S70/90
003		539012000	ADHESIVE LABEL FOR DRAIN COCK USA
003		539018800	BLANK INDEX FOR KNOB
003		539063600	ADHESIVE DISK 72 FOR DRAIN COCK
003		539063700	ADHESIVE DISK 72 FOR DRAIN COCK USA
003		536034700	KNOB §77 4P. §08*6,5 F§30
003		539054200	STAMP Ø20,5 CR."L" LOTUS R.
003		531037601	TAP FOR WATER 90°DX CP
003		533136000	SCREW TAP WATER LOAD FOR CP S70/90
003		531037600	TAP FOR WATER LOADING 1/2"GF CP 90