



IMF 28

LIST OF THE EXPLODED VIEWS



SHELL ASSY

COOLING SYSTEM

HYDRAULIC CIRCUIT

EVAPORATOR SUPPORT

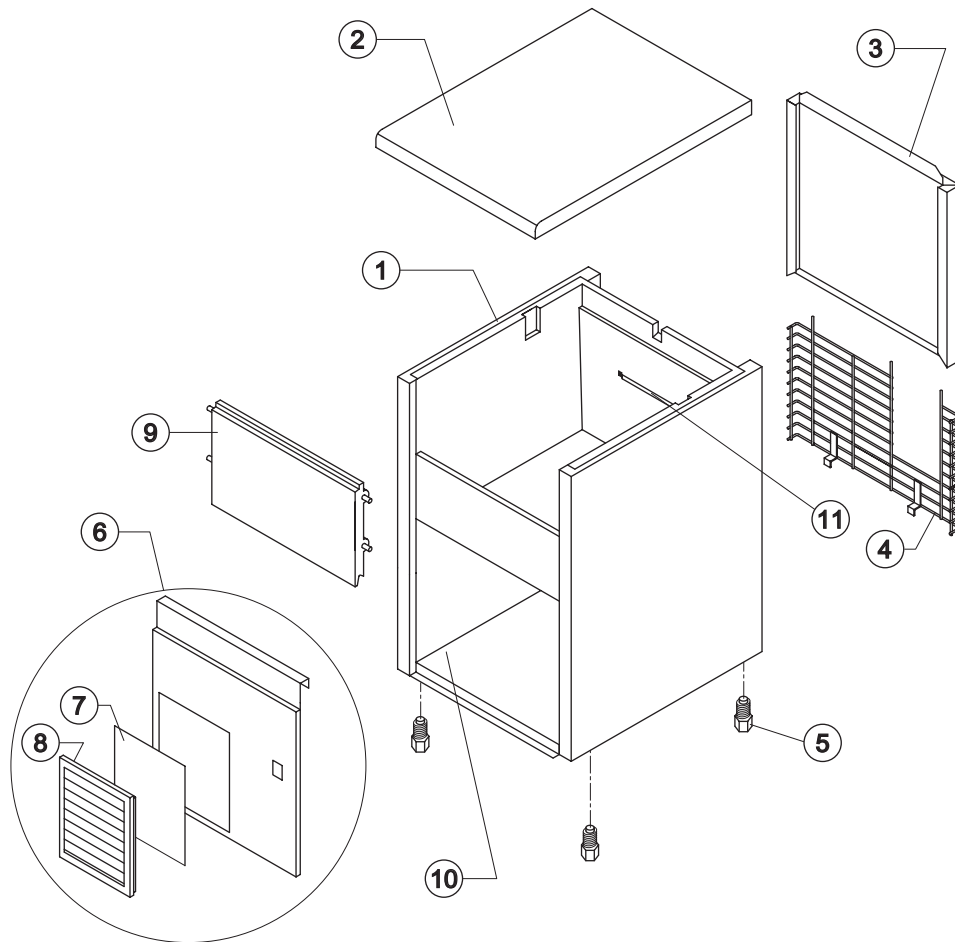
ELECTRIC PARTS

Rev. 3 - 14/12/2007



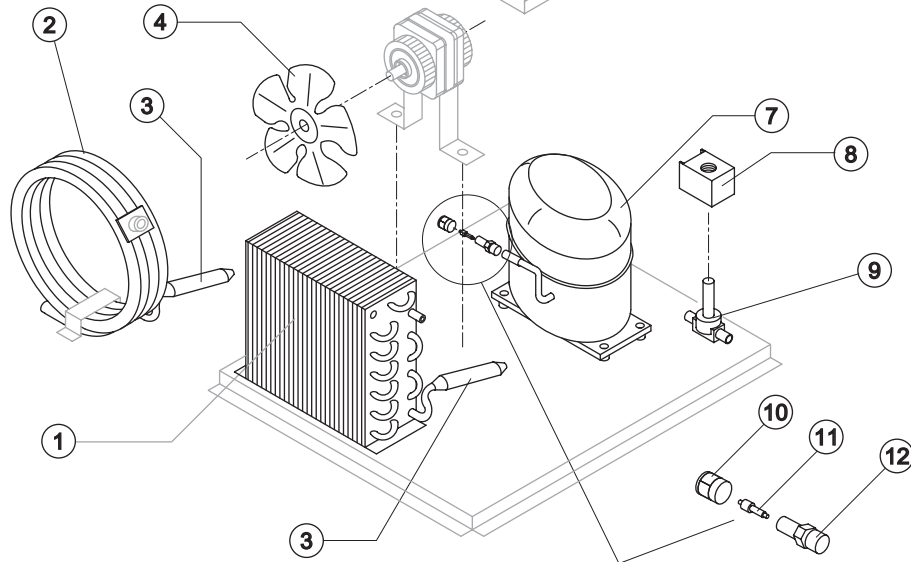
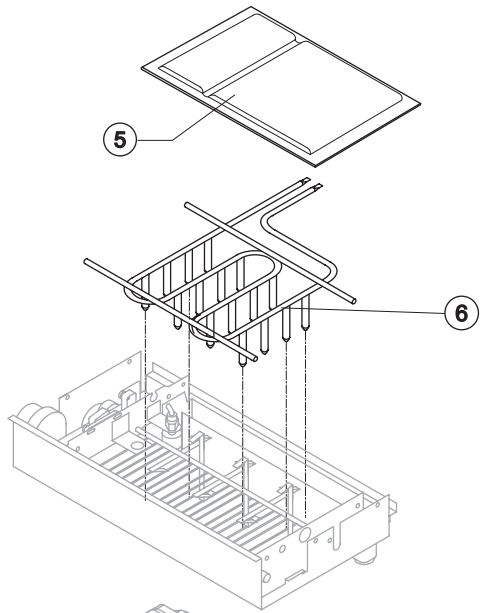
IMF 28

SHELL ASSY



Ref.	Spare Description	Code
1	Foamed Cabinet Assy	C11141
2	Top Assembly	C22693
3	Rear Panel Assembly	C21181
4	Rear Grid	D12002
5	Foot	10017
6	Front Grid Panel	C22506
7	Filtering Panel	18106
8	Frame + Grid & Filter	C10205
9	Door Assy	C10303
10	Base Plate	21001
11	Bulbe-holder Pipe	20520

Rev. 3 - 14/12/2007



Common Parts

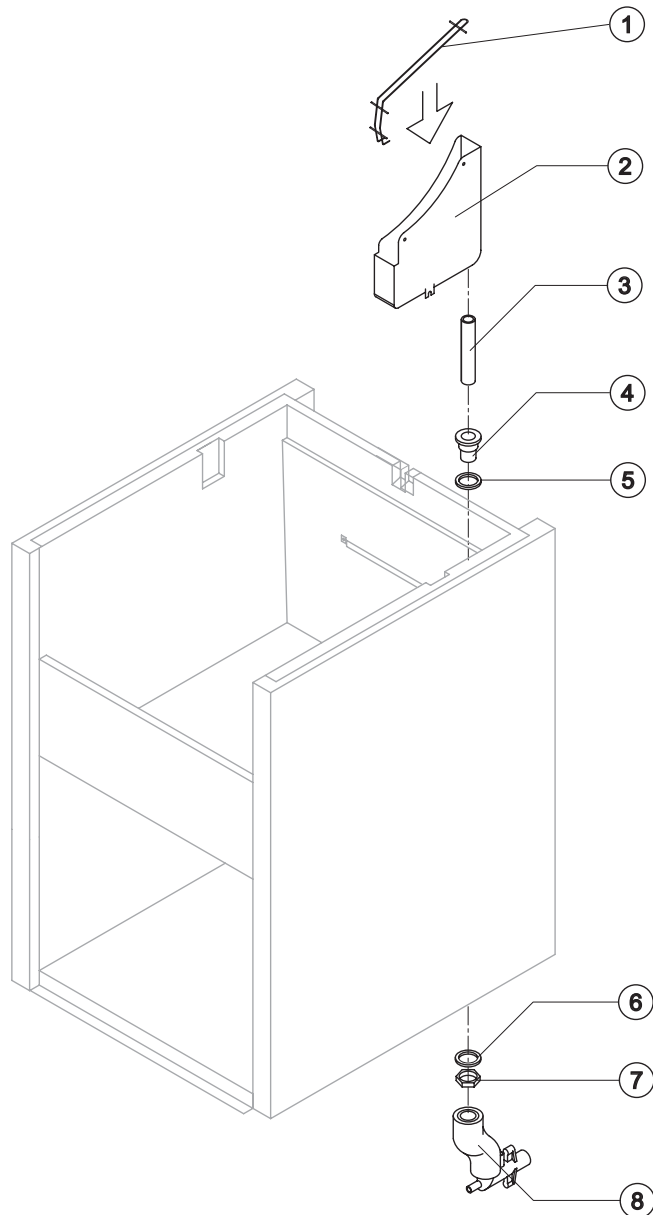
Ref.	Spare Description	Code
3	Molecular Drier	14009
5	Evaporator Cover Panel	10486
6	Evaporator	D14523
7	Compressor	23436
8	Hot Gas Valve Coil	23091
9	Hot Gas Valve Body	20410
10	Vacuum-Charge Valve Plug	14006
11	Vacuum-Charge Valve Device	14005
12	Vacuum-Charge valve Body	14007

Parts for Air-Cooled Version Only

Ref.	Spare Description	Code
1	Air Condenser	20534
4	Sucking Fan	20095

Parts for Water-Cooled Version Only

Ref.	Spare Description	Code
2	Water Condenser	14057



Common Parts

Ref.	Spare Description	Code
1	Water Collecting Basin Slide	12072
2	Water Collecting Basin	10456
3	Water Collecting Basin Drain Pipe	13158
4	Water Outlet Nipple	10472
5	Silicone Gasket	13006
6	Semirigid Polyethylene Gasket	13007
7	Bin Discharge Nut	10096

Parts for air-Cooled Version Only

Ref.	Spare Description	Code
8	Discharges Manifold	C10006

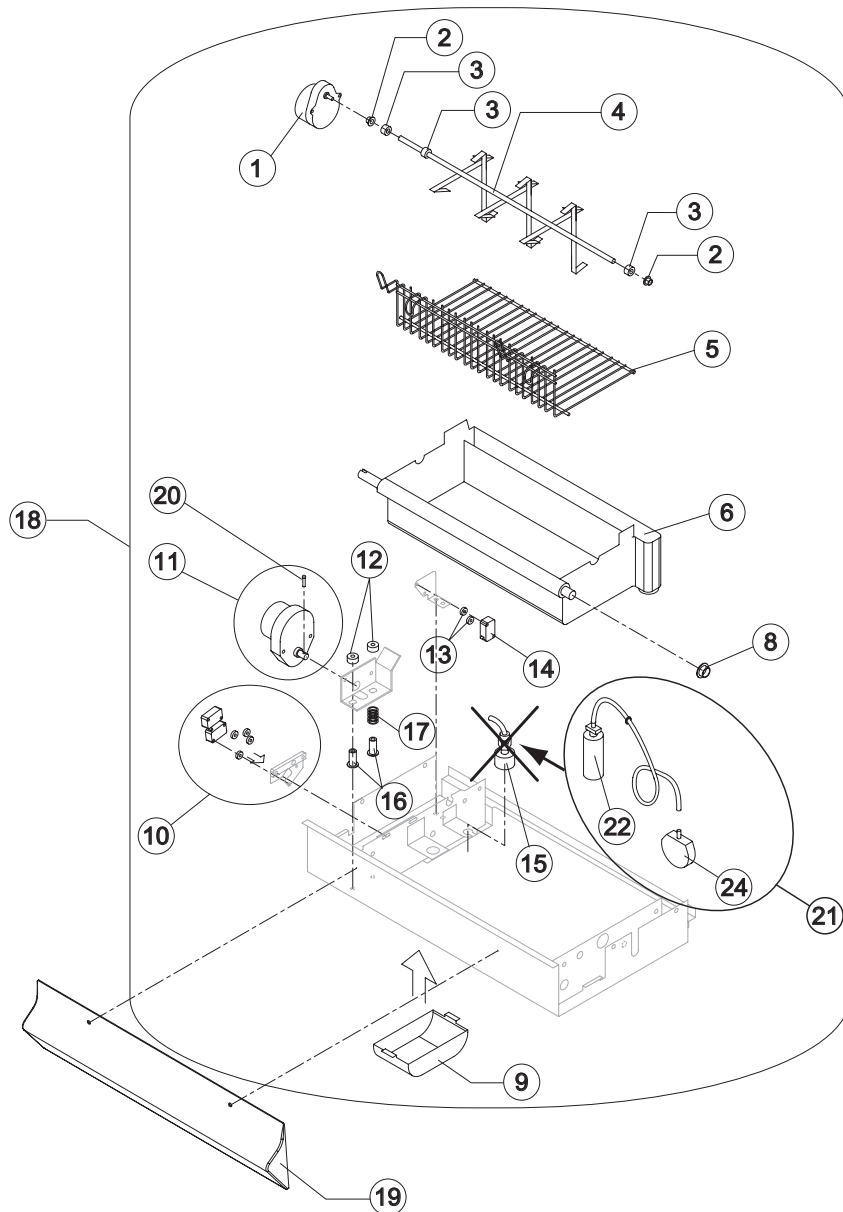
Parts for Water-Cooled Version Only

Ref.	Spare Description	Code
8	Discharges Manifold	C26452



IMF 28

EVAPORATOR SUPPORT



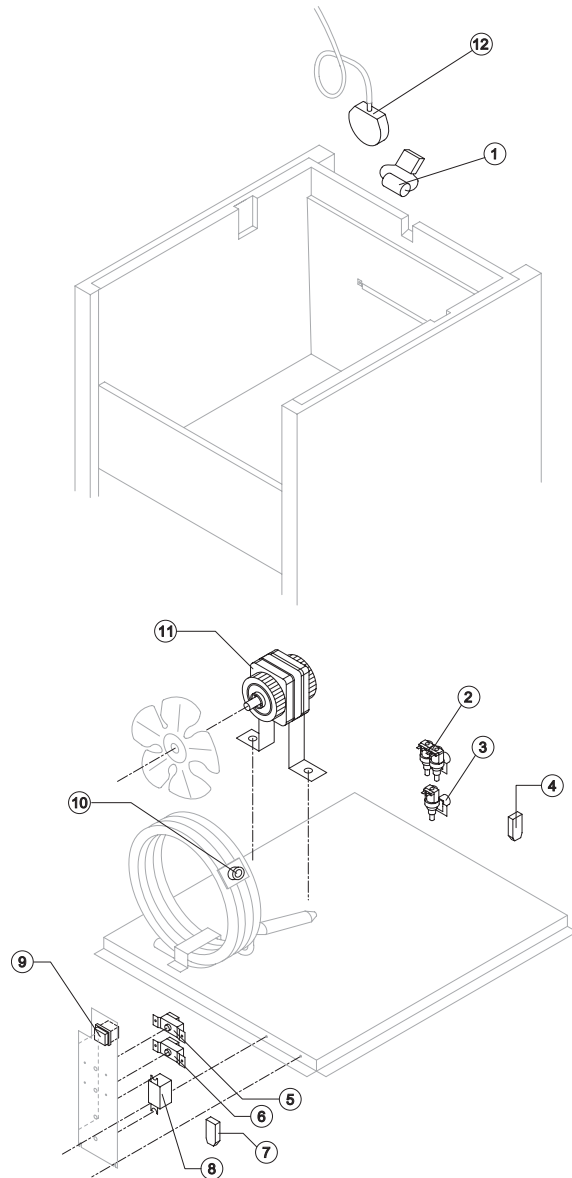
Ref.	Spare Description	Code
1	Gearmotor (Paddles)	23802
2	Self-Lubricating Bush 06/06	20230
3	Shaft Stop Ring	20227
4	Shaft with Paddles	20812
5	Internal Basin Slide	12073
6	Water Basin with Pivot	C10484
8	Self-Lubricating Bush 12/07	20231
9	Gearmotor (Paddles) Protection	10483
10	2 Microswitch Support Assembly	C23803
11	Gearmotor (Turnover Basin) with Shaft Pin	C23800
12	Special Ring	20808
13	Switch Shimming Ring	10250
14	Microswitch	23804
15	Electromagnetic Level Switch	replaced by ref. 21
16	Threaded Pivot	20807
17	Spring (Gearmotor Support)	20809
18	Evaporator Support Plate Assembly	C22048
19	Basin Protection	10508
20	Shaft Pin for Gearmotor (Turnover Basin)	20814
21	Water Level Pressure Switch Assy	KIT23870
22	Air Trap with Pipe	C10537
24	Water Level Pressure Switch	23870

Rev. 3 - 14/12/2007



IMF 28

ELECTRIC PARTS



Common Parts

Ref.	Spare Description	Code
1	Capacitor 0,068 μ F	C23798
4	Anti Radio Interference Filter	C23458
5	Condenser Pressure Switch	23175
6	Bin Thermostat	R23005
8	Relay	23190
9	Green Light Switch (On-Off)	23327
12	Water Level Pressure Switch	23870

Parts for Air-Cooled Version Only

Ref.	Spare Description	Code
11	Fan Motor	23029
7	Anti Radio Interference Filter	C23459
3	1 Way- Water Inlet Valve	23001

Parts for Water-Cooled Version Only

Ref.	Spare Description	Code
7	Anti Radio Interference Filter	C23457
10	Safety Thermostat Switch	C23114
2	2 Ways- Water Inlet Valve	23502