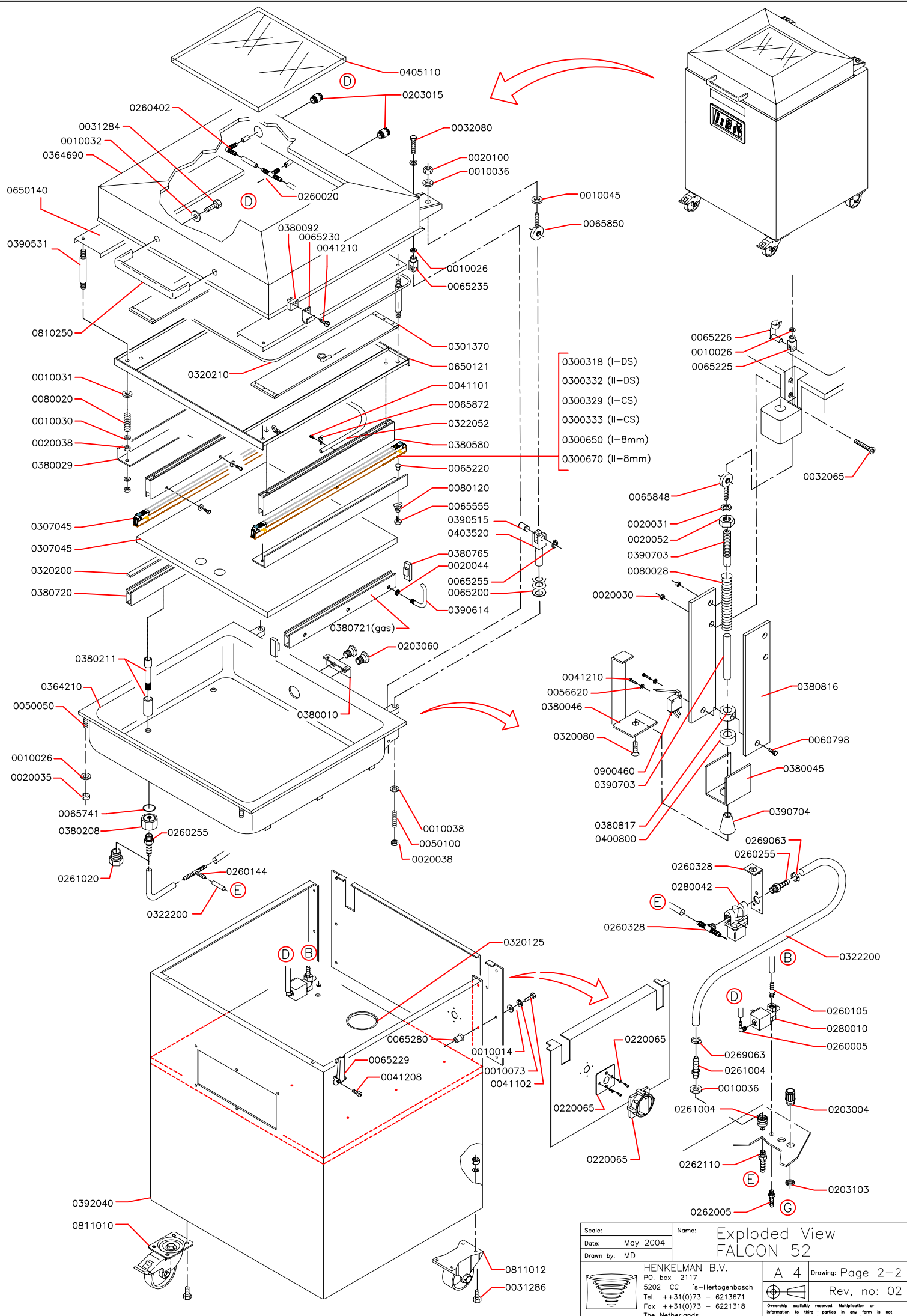
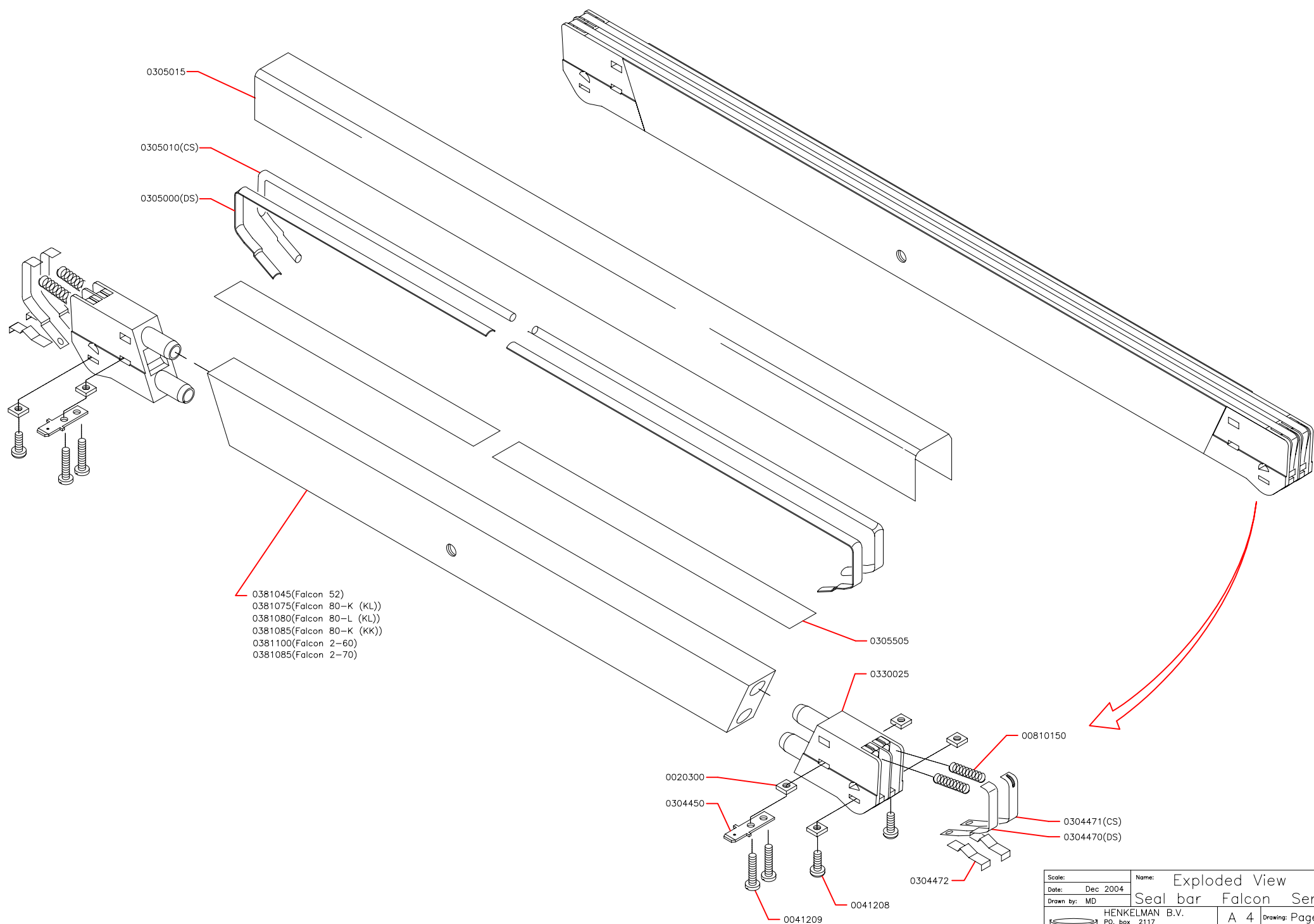


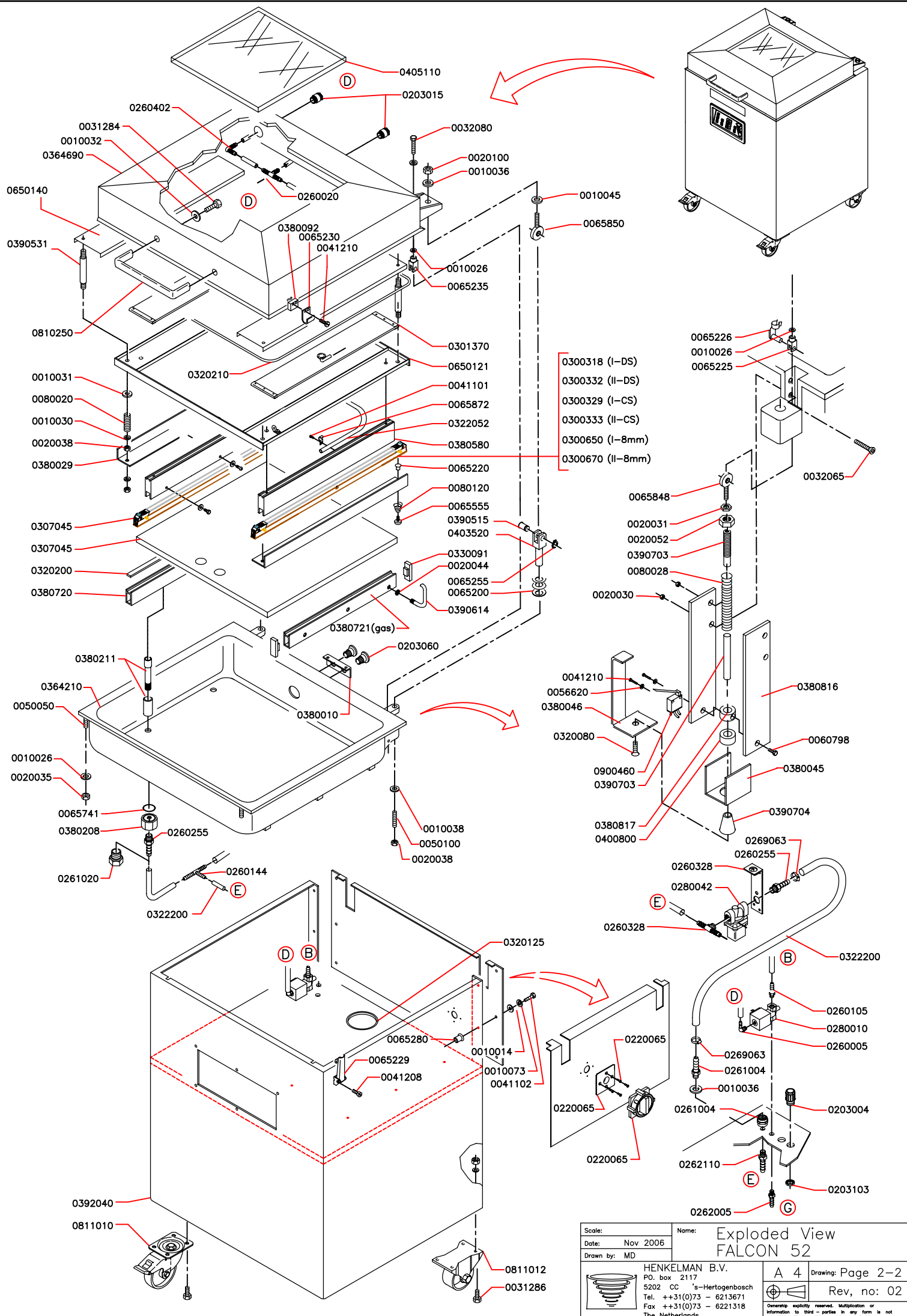
Scale:	Name:	Exploded View FALCON 52	
Date:	May 2004		
Drawn by:	MD		
HENKELMAN B.V. P.O. box 2117 5202 CC s-Hertogenbosch Tel. ++31(0)73 - 6213671 Fax ++31(0)73 - 6221318 The Netherlands		A 4 Drawing: Page 1-2 Rev. no: 03	
Ownership explicitly reserved. Multiplication or information to third parties in any form is not permitted without written permission of the owner.			






- 0381045(Falcon 52)
- 0381075(Falcon 80-K (KL))
- 0381080(Falcon 80-L (KL))
- 0381085(Falcon 80-K (KK))
- 0381100(Falcon 2-60)
- 0381085(Falcon 2-70)

Scale:	Name:	Exploded View	
Date: Dec 2004	Seal bar Falcon Series		
Drawn by: MD	A 4 Drawing: Page 1-1		
HENKELMAN B.V. P.O. box 2117 5202 CC 's-Hertogenbosch Tel. ++31(0)73 - 6213671 Fax ++31(0)73 - 6221318 The Netherlands		Rev. 01 <small>Ownership explicitly reserved. Multiplication or information to third parties in any form is not permitted without written permission of the owner.</small>	



- 0300318 (I-DS)
- 0300332 (II-DS)
- 0300329 (I-CS)
- 0300333 (II-CS)
- 0300650 (I-8mm)
- 0300670 (II-8mm)

Scale:	Name: Exploded View FALCON 52
Date: Nov 2006	
Drawn by: MD	
 HENKELMAN B.V. P.O. box 2117 5202 CC 's-Hertogenbosch Tel. ++31(0)73 - 6213671 Fax ++31(0)73 - 6221318 The Netherlands	A 4 Drawing: Page 2-2 Rev, no: 02
	<small>Ownership explicitly reserved. Multiplication or information to third parties in any form is not permitted without written permission of the owner.</small>