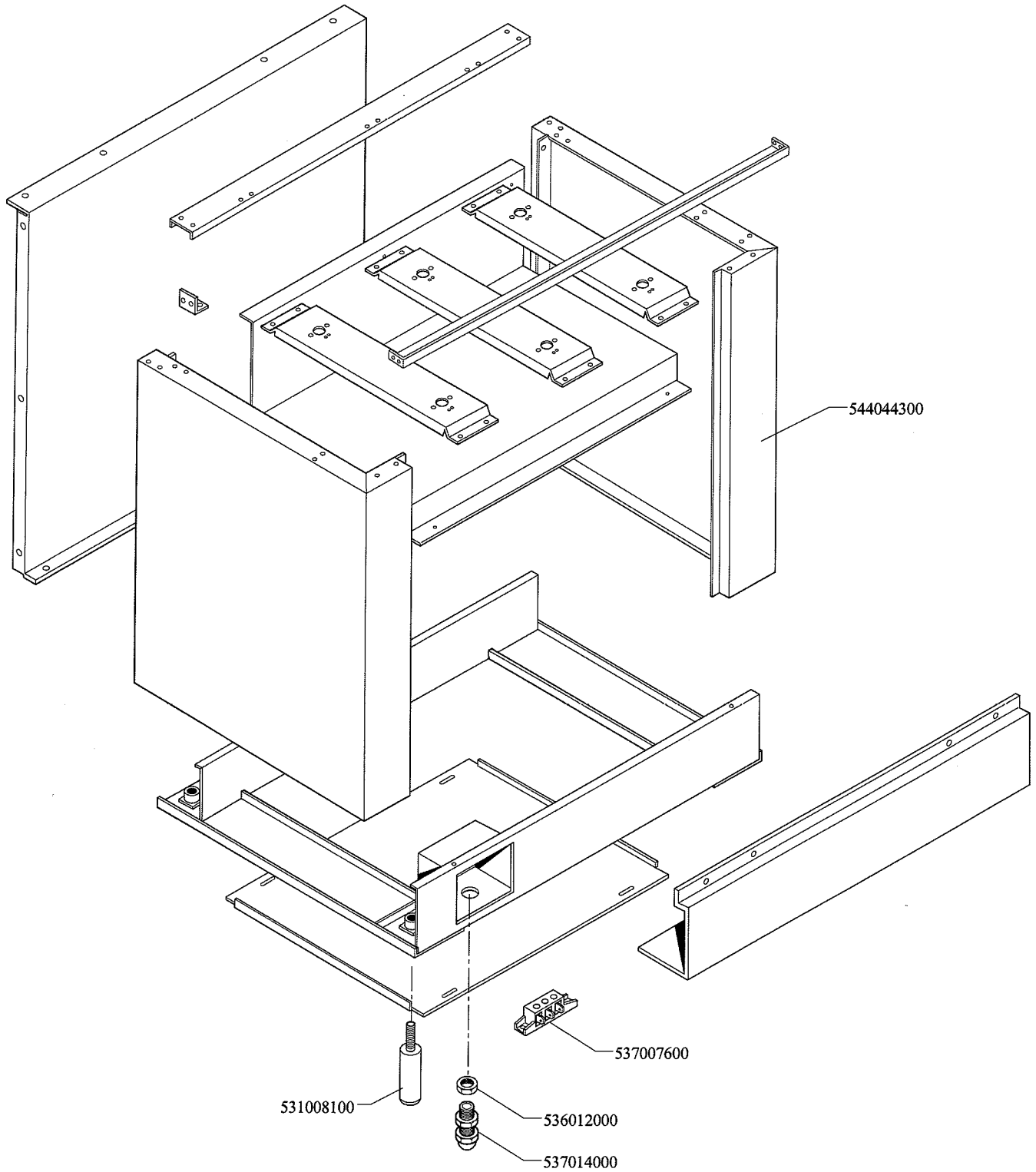


SNACK 60 CUCINE / SNACK 60 RANGES / SNACK 60 HERDE / SNACK 60
CUISINIÈRES

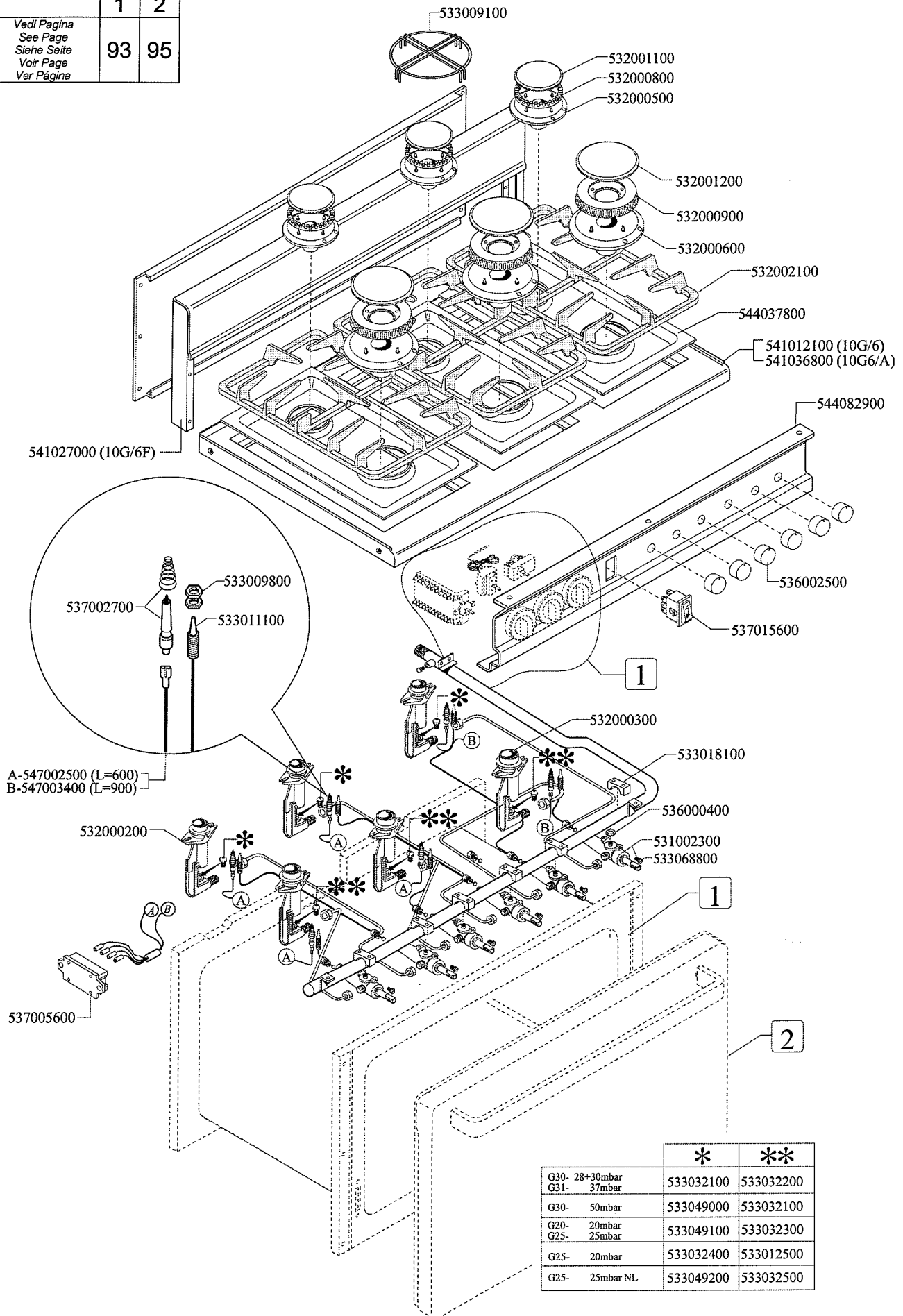
CFM-10GEM/6 CFM-10GEM6/A



SNACK 60 CUCINE / SNACK 60 RANGES / SNACK 60 HERDE / SNACK 60 CUISINIÈRES

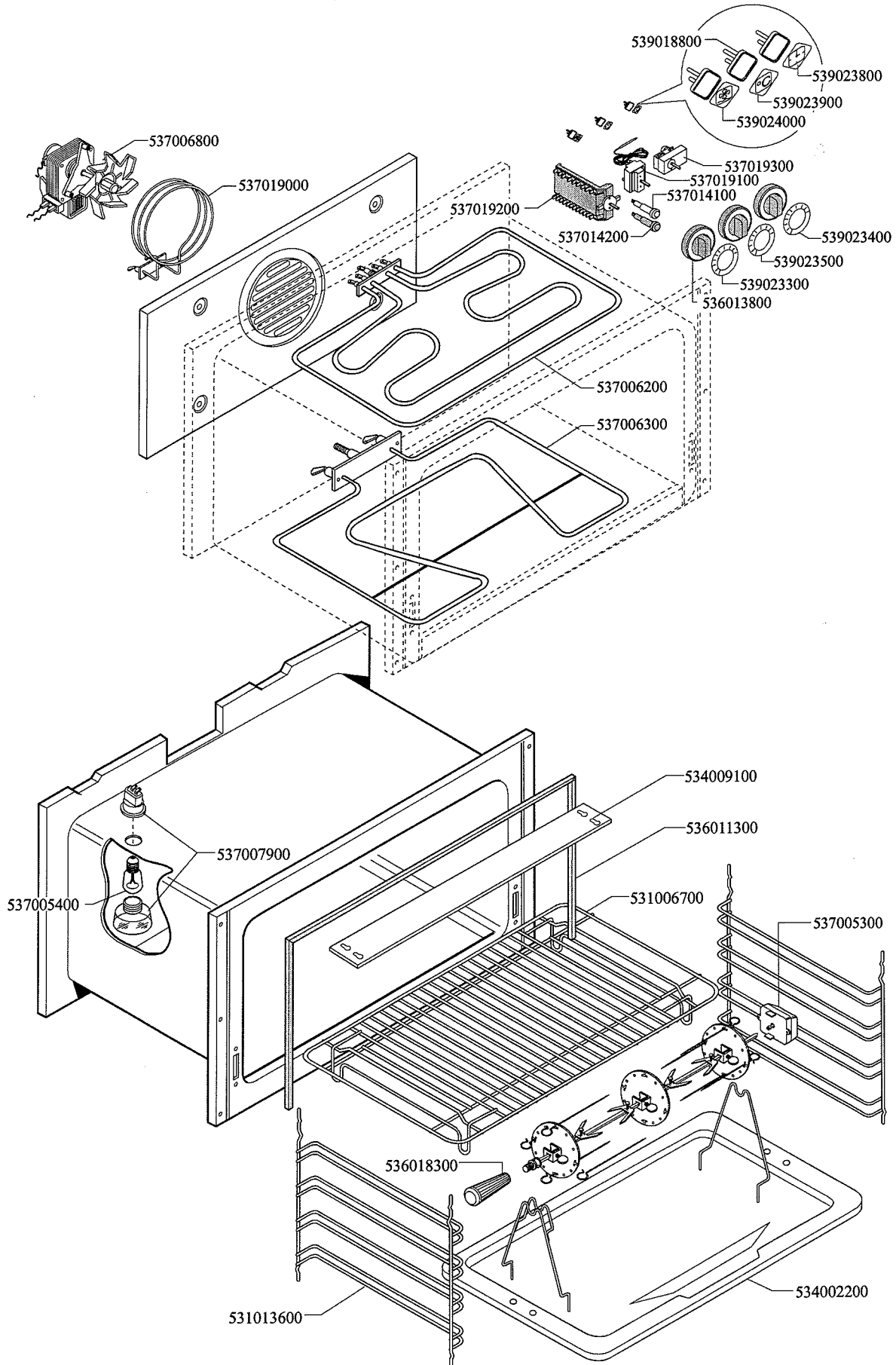
CFM-10GEM/6 CFM-10GEM6/A

	1	2
Vedi Pagina See Page Siehe Seite Voir Page Ver Pàgina	93	95



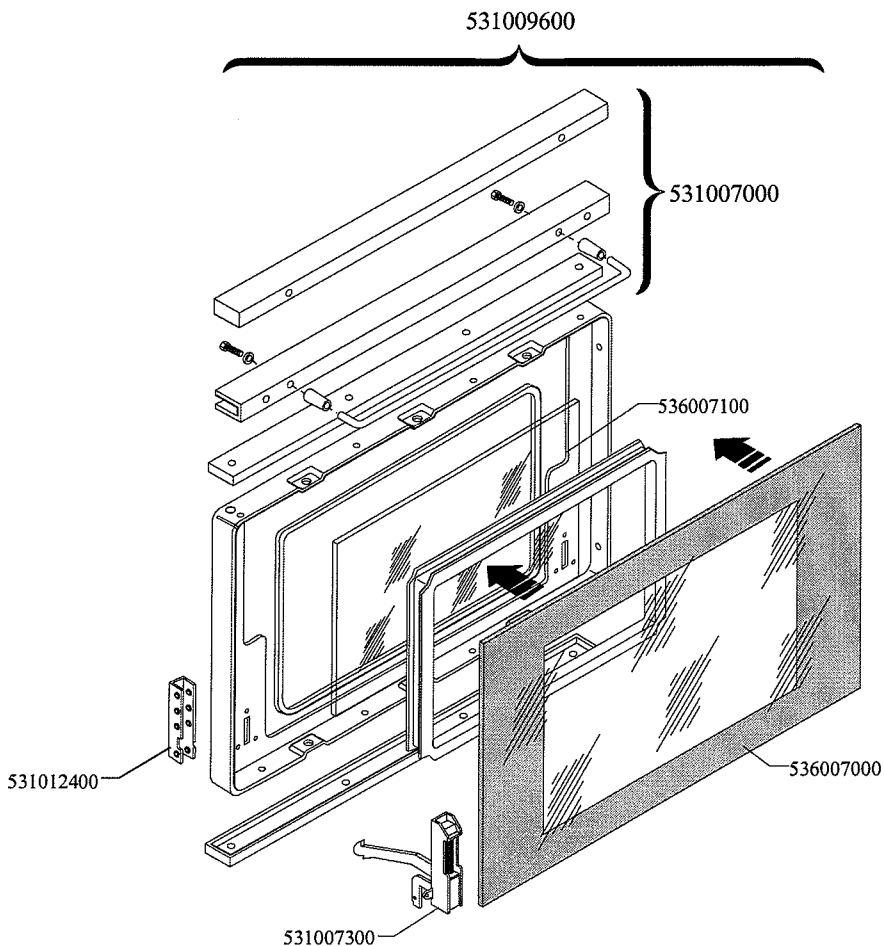
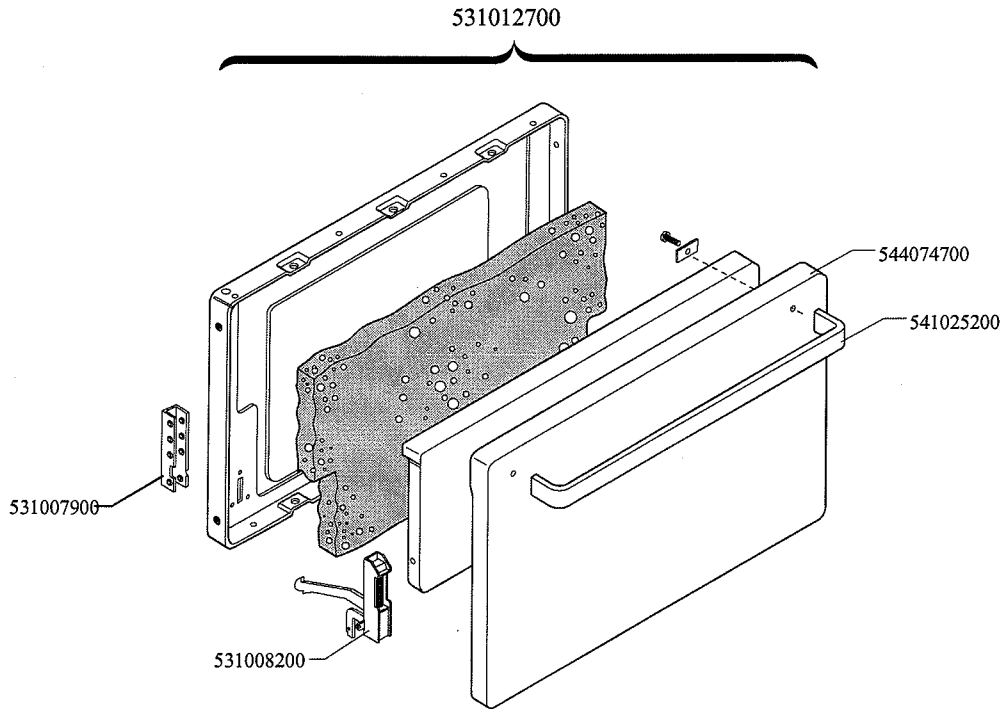
SNACK 60 CUCINE / SNACK 60 RANGES / SNACK 60 HERDE / SNACK 60 CUISINIÈRES

FORNO MULTIFUNZIONE ELETTRICO CF...-8... CF...-10... / MULTIFUNCTION ELECTRIC OVEN CF...-8... CF...-10... / MULTIFUNKTIONSELEKTROBACKOFEN / CF...-8... CF...-10... / FOUR ÉLECTRIQUE À FONCTIONS MULTIPLES CF...-8... CF...-10...



SNACK 60 CUCINE / SNACK 60 RANGES / SNACK 60 HERDE / SNACK 60 CUISINIÈRES

**PORTE INOX/VETRO FORNO CF...-8... CF...-10... / STAINLESS-STEEL/GLASS DOORS
 OVEN CF...-8... CF...-10... / EDELSTAHL/GLASTÜREN OFEN CF...-8... CF...-10... /
 PORTES EN ACIER INOXYDABLE/VITRÈES POUR FOUR CF...-8... CF...-10**



Page	Pos	Code	Description
001		544044300	SIDE 1000 RANGE
001		536012000	HEXAGONAL LOCK NUT PG-21
001		537014000	CABLE SECURING CLAMP PG-21
001		531008100	ADJUSTABLE LEG H9 CHROME
001		537007600	TERMINAL BLOCK SINGLEPHASE 40A
002		533032100	NOZZLE §82 CH9*10 CE G-R
002		533049000	NOZZLE §72 CH9*10 F-R
002		533049100	NOZZLE §125 CH9*10 H-R
002		533032400	NOZZLE §135 CH9*10 L-R
002		533049200	NOZZLE §130 CH9*10 AARD.L-R
002		533032200	NOZZLE §96 CH9*10 CE G-UR
002		533032300	NOZZLE §142 G20
002		533012500	NOZZLE §160 CH9*10 L-UR
002		533032500	NOZZLE §150 CH9*10 AARD.L-UR
002		A-547002500	HIGH-VOLT.WIRE 2,8X0,5 F2,8X0,8L600
002		B-547003400	HIGH-VOLTAGE CABLE L=900
002		533009100	REDUCTION S.60
002		532001100	QUICK BURNER COVER IN CAST IRON
002		532000800	QUICK BURNER RING
002		532000500	QUICK BURNER SUPPORT 2HOLES
002		532001200	ULTRA-QUICK BURNER COVER IN CAST IR
002		532000900	ULTRA-QUICK BURNER RING
002		532000600	ULTRA-QUICK BURNER SUPPORT 2HOLES
002		532002100	2 BURNERS GRID
002		544037800	2 BURNER DRIP PAN (QUICK+VERY QUICK
002		541036800	UPPER PLATE CF/10G/A
002		544082900	CONTROL PANEL FOR RANGE CFM-10GEM/6
002		536002500	COCK KNOB
002		537015600	BIPOLAR SWITCH
002		532000300	ULTRA-QUICK BURNER VENTURI
002		533018100	BRIDLE D.21
002		536000400	GASKET FOR COCK
002		531002300	TAP WITH VALVE BY PASS 485/042 CE
002		533068800	BY PASS COCK §42 PC/CF-60
002		537005600	6 FLAME IGNITION CONTROL BOX V230
002		532000200	QUICK BURNER VENTURI
002		537002700	PLUG WITH SPRING H57
002		533009800	BRASS NUT M8*1
002		533011100	THERMOCOUPLE 600 M8*1
003		537006800	FAN 240V CF-62
003		537019000	CIRCULAR HEATING ELEMENT FOR OVEN
003		539018800	INDEX FOR OVEN KNOB
003		537019200	SELECTOR FOR MULTIFUNCTION OVEN
003		537014200	GREEN WARNING LIGHT 250V
003		537006200	UPPER OVEN HEATING EL.1000+2000W
003		537006300	LOWER OVEN HEATING EL.W1750 230CF8/
003		531013600	SIDE GRID FOR MAXI/VENTILATED OVEN
003		536018300	GRIP FOR ROTATING SPIT
003		534002200	OVEN DRIPPING-PAN CF-8/10
003		537005400	OVEN BULB 15W 300°C
003		537007900	OVEN BULB-SOCKET

Page	Pos	Code	Description
003		534009100	GRILL PROTECTION CF-8/10
003		536011300	OVEN GASKET CF-8/10
003		531006700	OVEN GRID FOR CF-8/10
003		537005300	MOTOR FOR SPIT CF-8/10
003		539023800	SIGN PLATE FOR OVEN TIMER
003		539023900	SIGN PLATE FOR OVEN TEMPERATURE
003		539024000	SIGN PLATE FOR OVEN SELECTOR
003		537019300	TIMER FOR MULTIFUNCTION OVEN
003		537019100	THERMOSTAT FOR MULTIFUNCTION OVEN
003		537014100	WHITE WARNING LIGHT 250V
003		539023400	ADHESIVE GRADUATED DISC F.KNOB
003		539023500	ADHESIVE GRAD.DISC *E.MULTIF.TERM.
003		539023300	ADHESIVE GRADUATED DISC FOR KNOB
003		536013800	KNOB D.70 BLACK 6*5 WITH SPRING
004		531012700	STAINLESS STEEL OVEN DOOR CF-8/10
004		531007900	STAINLESS STEEL DOOR WHEEL HOLDER
004		531008200	STAINLESS STEEL DOOR HINGE CF-8/10
004		544074700	STAINLESS STEEL OVEN DOOR PANEL
004		541025200	STAINLESS STEEL OVEN DOOR HANDLE
004		531009600	COMPLETE GLASS OVEN DOOR
004		531007000	OVEN GLASS DOOR HANDLE CF-8/10
004		536007100	INTERNAL GLASS OVEN DOOR CF-8/10
004		536007000	EXTERNAL GLASS OVEN DOOR CF8/10
004		531012400	GLASS DOOR WHEEL HOLDER CF-8/10
004		531007300	GLASS DOOR HINGE CF-8/10