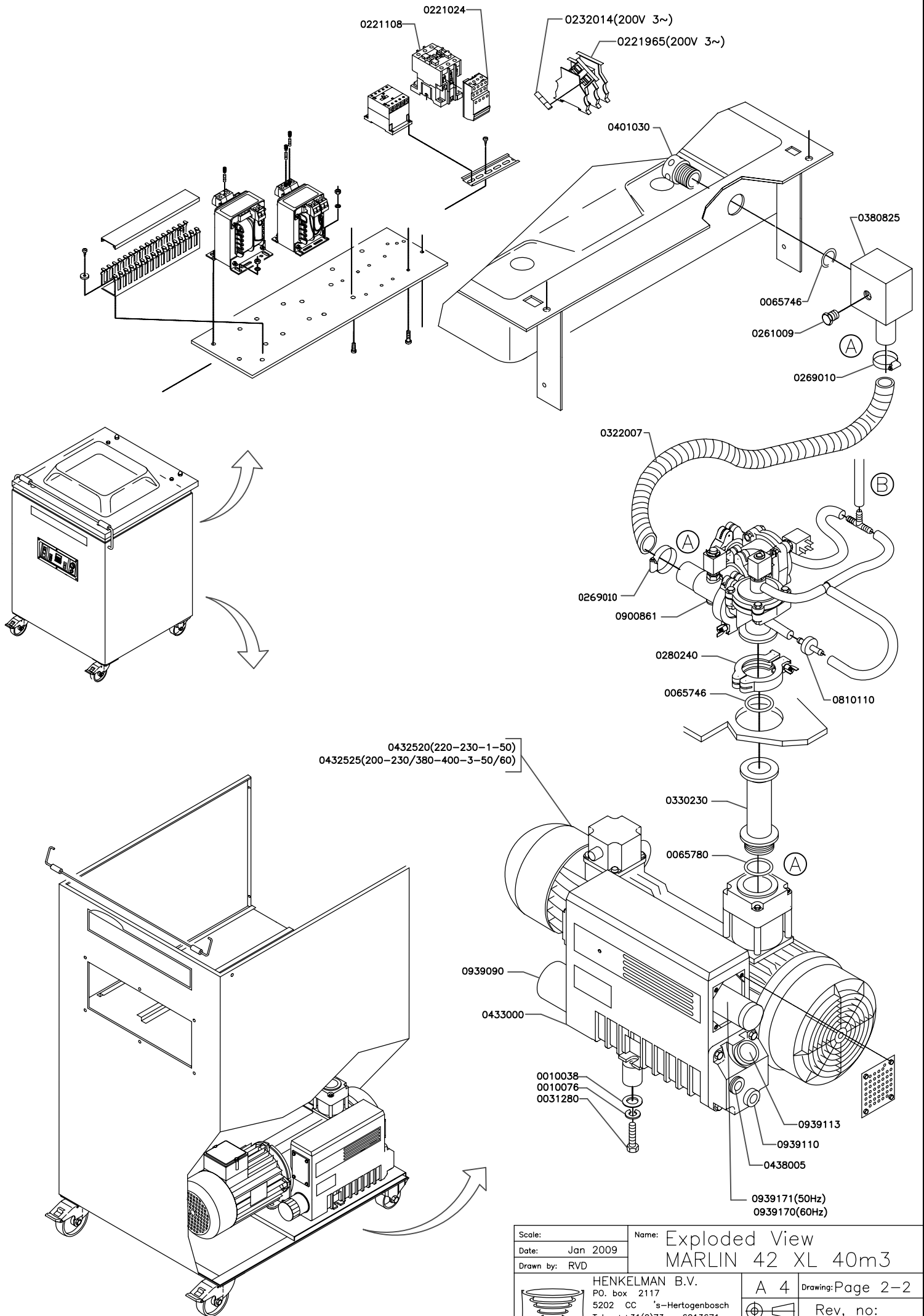


Scale:	Name:
Date: Jan 2009	Exploded View
Drawn by: MD	MARLIN 42 XL
HENKELMAN B.V. P.O. box 2117 5202 CC 's-Hertogenbosch Tel. ++31(0)73 - 6213671 Fax ++31(0)73 - 6213181 The Netherlands	
A 4	Drawing: Page 1-2
Rev. no: 050	

(DS) = DOUBLE SEAL  
(CS) = CUT-OFF SEAL  
(8mm) = 8mm SEAL



Ownership explicitly reserved. Modification or information to third parties in any form is not permitted without written permission of the owner.



Scale:	Name: Exploded View
Date: Jan 2009	MARLIN 42 XL 40m3
Drawn by: RVD	
HENKELMAN B.V. P.O. box 2117 5202 CC 's-Hertogenbosch Tel. ++31(0)73 - 6213671 Fax ++31(0)73 - 6221318 The Netherlands	A 4 Drawing: Page 2-2 Rev, no:
	<small>Ownership explicitly reserved. Multiplication or information to third parties in any form is not permitted without written permission of the owner.</small>