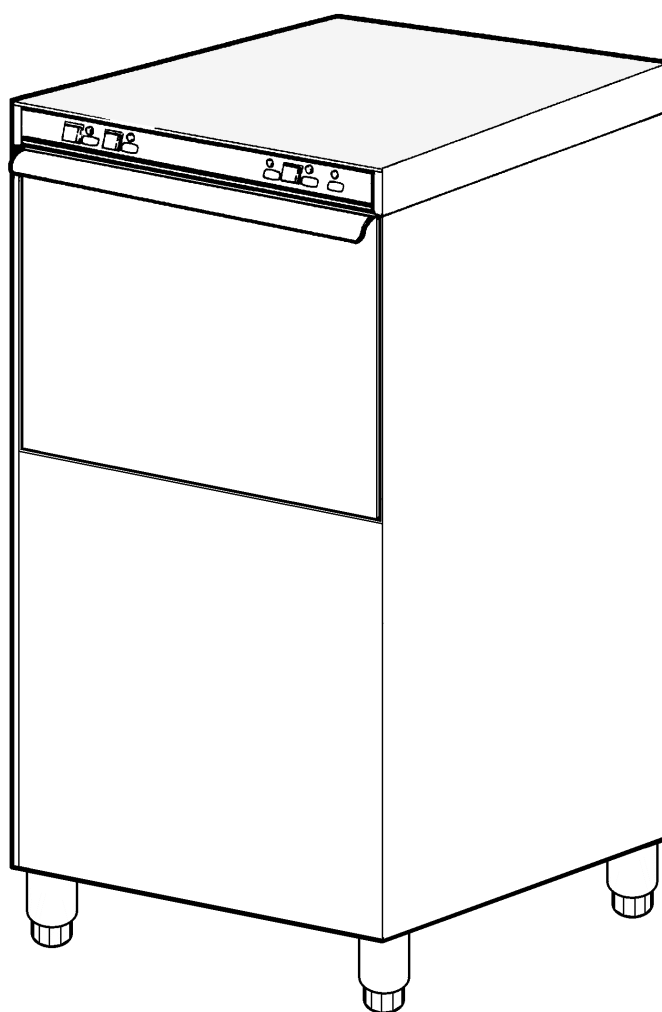
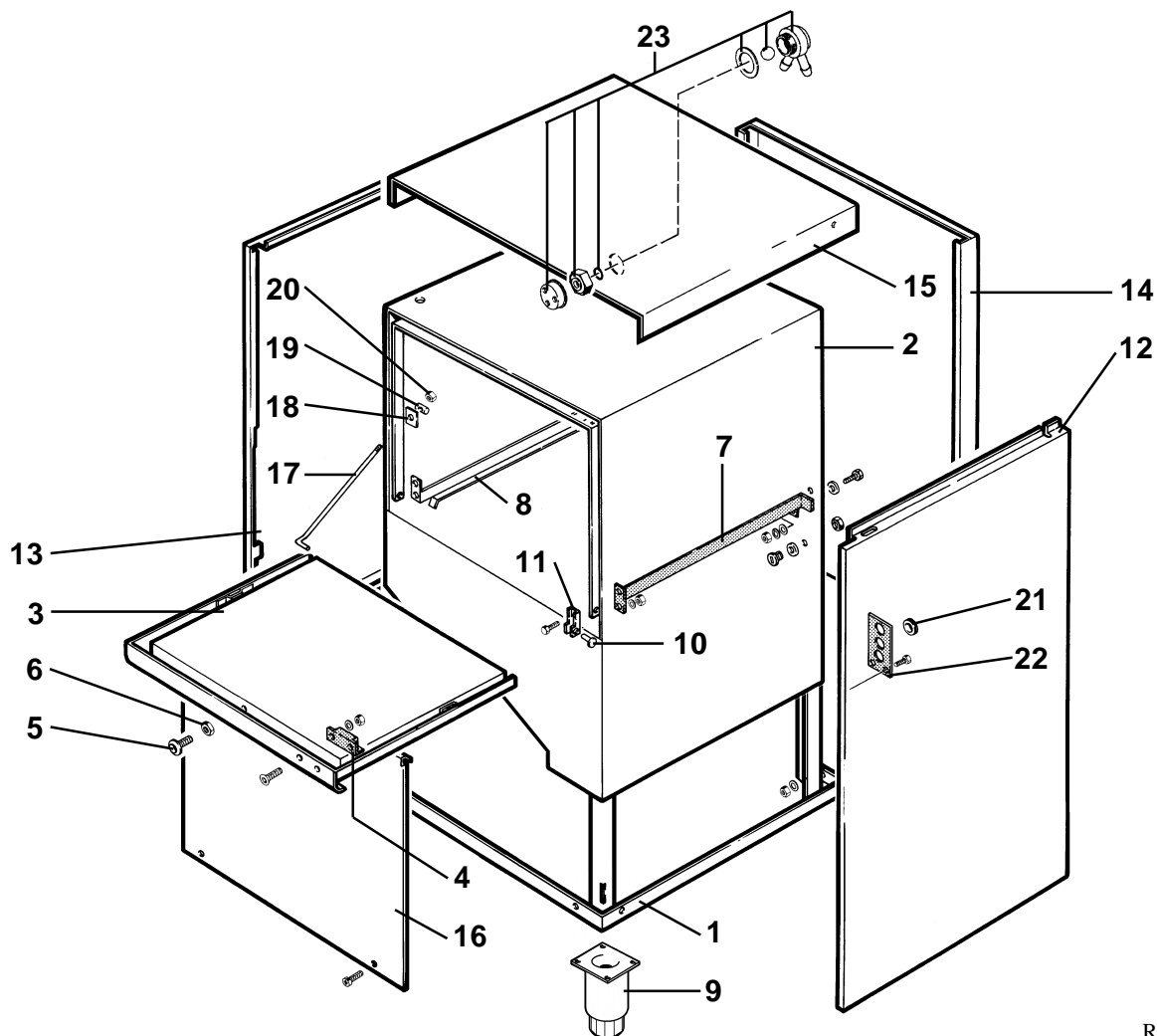


LAVASTOVIGLIE INDUSTRIALI
INDUSTRIAL DISHWASHER
LAVE-VAISSELLE INDUSTRIELS
INDUSTRIEGESCHIRRSPÜLES

900

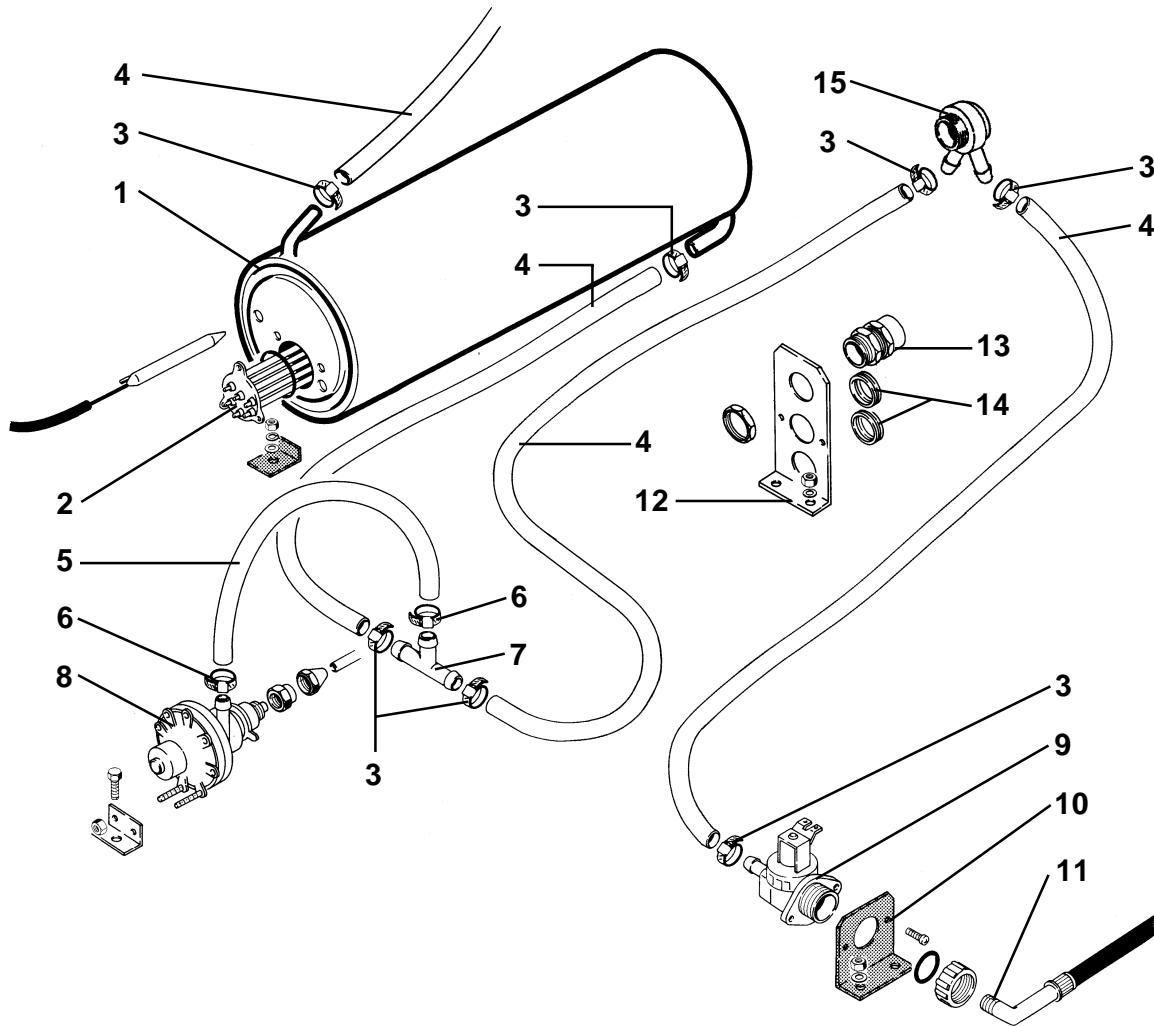


MANUALE DI RICAMBIO
SPARE PARTS
CATALOGUES PIÉCES
ERSATZTEILEKATALOG



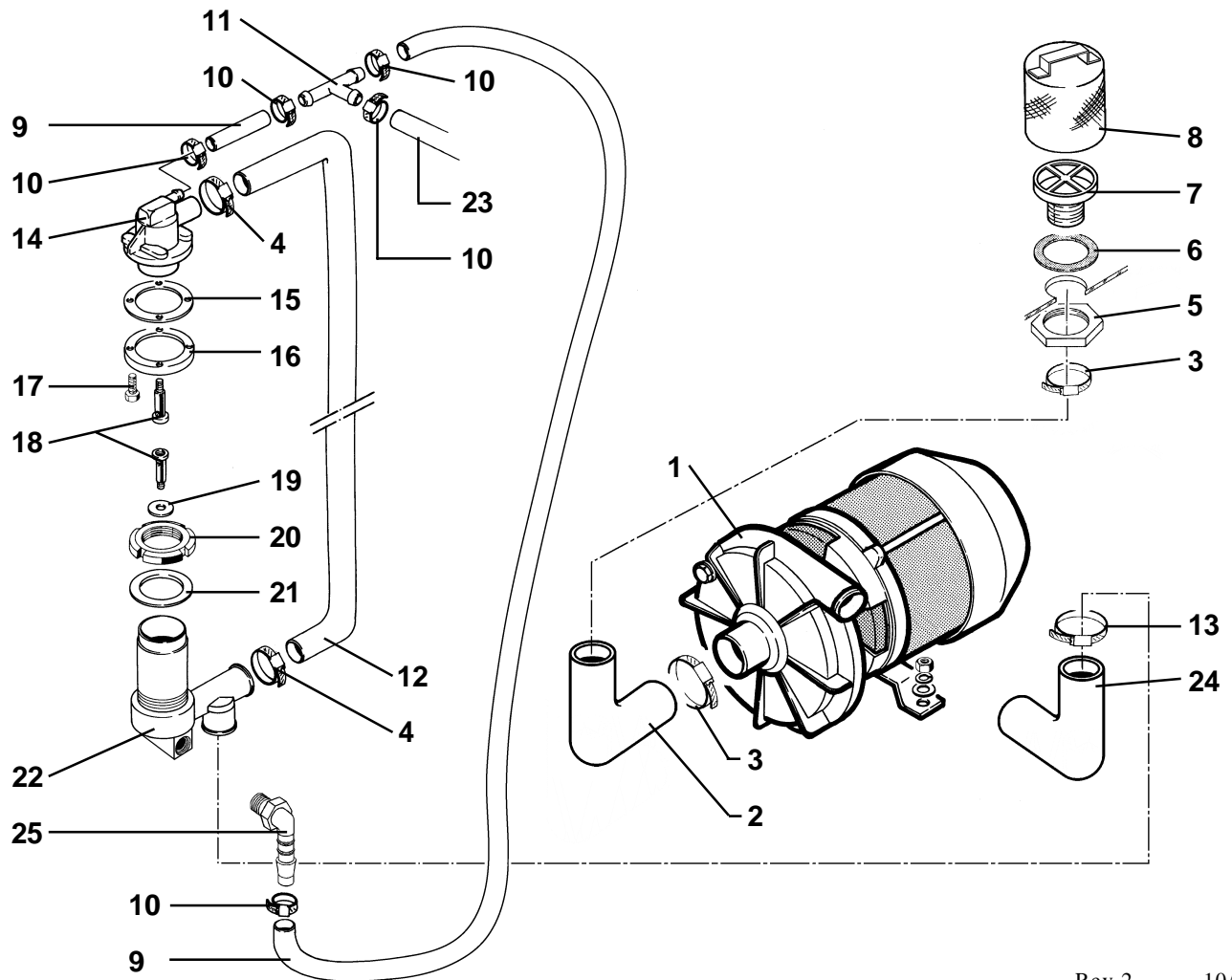
Rev.1 06/99

Pos	COD.	DESCRIZIONE	DENOMINATION	DESCRIPTION	BEZEICHNUNG
1	900272	BASAMENTO	SOCLE	BASE	UNTERSTRUKTUR
2	901922	VASCA	CUVE	TANK	TANK
3	905183	PORTA	PORTE	DOOR	TÜR
4	TR0220	CUSTODIA CON MAGNETE	PROTECTION MAGNETO	COVER MAGNET	MAGNETSCHUTZ
5	906121	SCROCCHETTO	CLIQUET FERMETURE PORTE	DOOR CATCH	SCHNAPPVERSCHLUSS
6	902023	DADO SCROCCHETTO	ECROU DE CLIQUET	NUT CATCH	KLIKENMUTTER
7	901683	GUIDA CESTELLI DX	COULISSE PANIER DROITE	BASKET GUIDE	KORBÜFUHRUNG
8	901684	GUIDA CESTELLI SX	COULISSE PANIER GAUCHE	BASKET GUIDE	KORBÜFUHRUNG
9	TR0299	PIEDE REGOLABILE	PIED	RUBBER LEG	EINSTELLBARER SOCKE
10	904795	PERNO PORTA	TOURILLON DE LA PORTE	DOOR PIN	TÜRSCHARNIERESTIFT
11	901245	CERNIERA	PATTE	DOOR SUPPORT	SCHARNIER
12	904565	PANNELLO LATERALE DX	PANNEAU DROITE	RIGHT PANEL	RECHTE VERKLEIDUNG
13	904566	PANNELLO LATERALE SX	PANNEAU GAUCHE	LEFT PANEL	LINKE VERKLEIDUNG
14	904661	PANNELLO POSTERIORE	PANNEAU POSTERIEUR	BACK PANEL	HINTERE VERKLEIDUNG
15	904704	PANNELLO SUPERIORE	PANNEAU SUPERIEUR	UPPER SIDE PANEL	OBERE VERKLEIDUNG
16	904535	PANNELLO INFERIORE	PANNEAU INFERIEUR	LOWER PANEL	UNTERE VERKLEIDUNG
17	907240	TIRANTE PORTA	TIRANT DU PORTE	DOOR SCREW STAY	TÜR ZUGSTANGE
18	904952	PIASTRINA	PLAQUETTE	PLATE	PLATTEKEN
19	905424	FERMO PORTA	FERMETURE PORTE	DOOR SUPPORT	TÜR HALTERUNG
20	902040	DADO ATB M6	ECROU	NUT	MUTTER
21	904721	PASSACAVO	CHAUMARD	FAIRLEAD	KABELDURCHGANG
22	954003	SQUADRETTA	PALIER	BEARING	TRÄGE
23	TR2433	VALVOLA ANTIRIFLUSSO	VALVE	VALVE	VENTIL



I 06/99

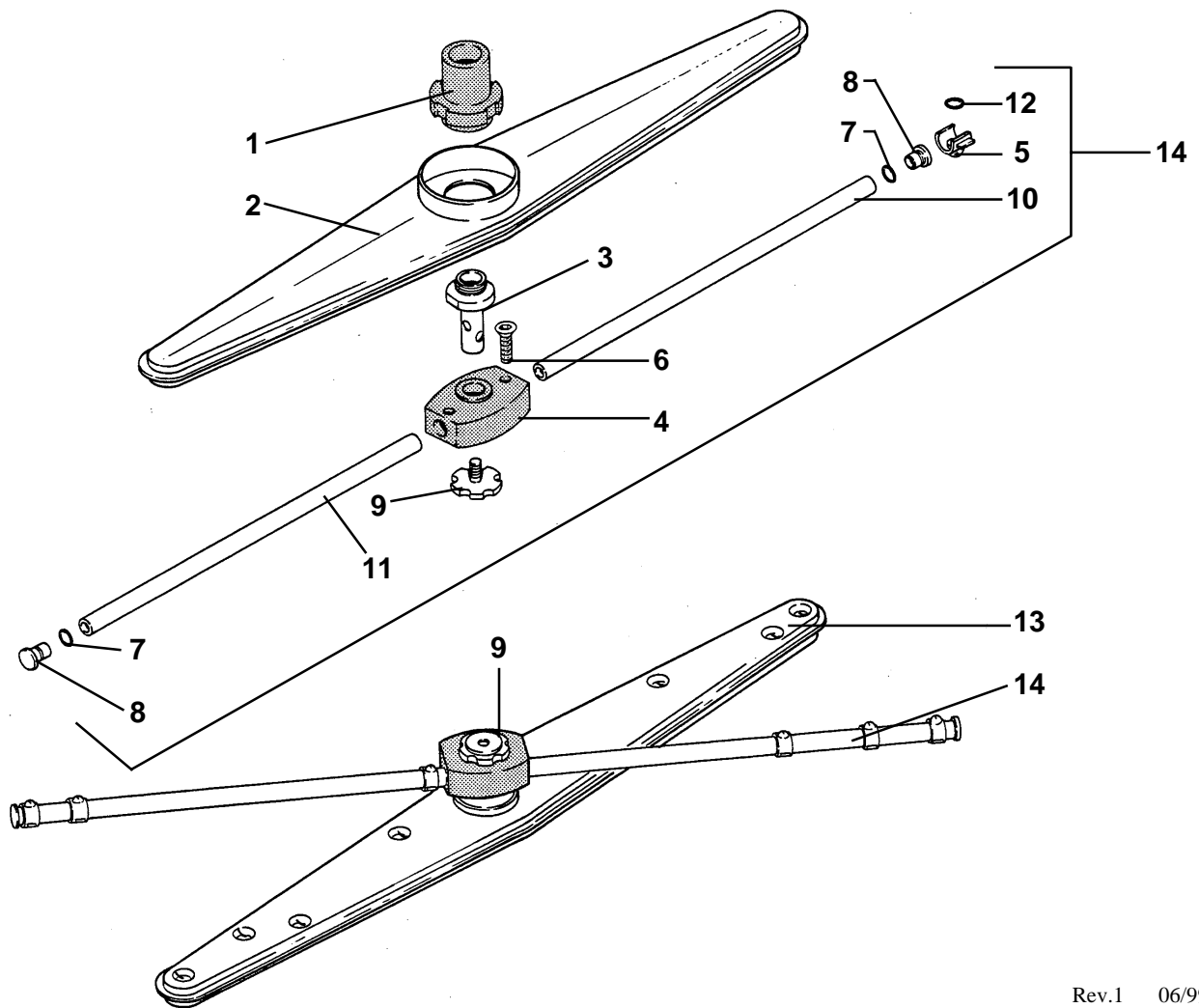
Pos	COD.	DESCRIZIONE	DENOMINATION	DESCRIPTION	BEZEICHNUNG
1	900353	BOILER	CHAUFFE EAU	BOILER	HEISSWASSERSPEICHER
2	905560	RESISTENZA 4.500W	RESISTANCE	HEATING ELEMENT	HEIZKÖRPER
3	902440	FASCETTA 13÷20	COLLIER	CLAMP	SHELLE
4	907295	TUBO GOMMA 12x19,5	TUYAU EN CAOUTCHOUC	RUBBER HOSE	GUMMISCHLAUSCH
5	907359	TUBO GOMMA 8x15	TUYAU EN CAOUTCHOUC	RUBBER HOSE	GUMMISCHLAUSCH
6	902439	FASCETTA 11÷17	COLLIER	CLAMP	SHELLE
7	905381	RACCORDO A "T"	RACCORD	PIPE FITTING	ANSCHLUSSE
8	902199	DOSATORE	DOSEUR	RINSE AID DISPENSER	DOSIERSATZ
9	902390	ELETTROVALVOLA 1 VIA	SOUPAPE ELECTRIQUE	ELECTRIC VALVE	ELEKTROVENTIL
10	906365	SQUADRETTA	PALIER	BEARING	TRÄGE
11	907344	TUBO DI CARICO	TUYAU D'ENTREE DE L'EAU	INLET PIPE	WASSERZUFÜHRROHR
12	954003	SQUADRETTA	PALIER	BEARING	TRÄGE
13	902683	PRESSACAVO PG.16	FIXAGE DU CABLE D'ALIMENT.	FIXING CABLE	KABELBEFESTIGER
14	904721	PASSACAVO	CHAUMARD	FAIRLEAD	KABELDURCHGANG
15	TR2433	VALVOLA ANTIRIFLUSSO	VALVE	VALVE	VENTIL



Rev.2

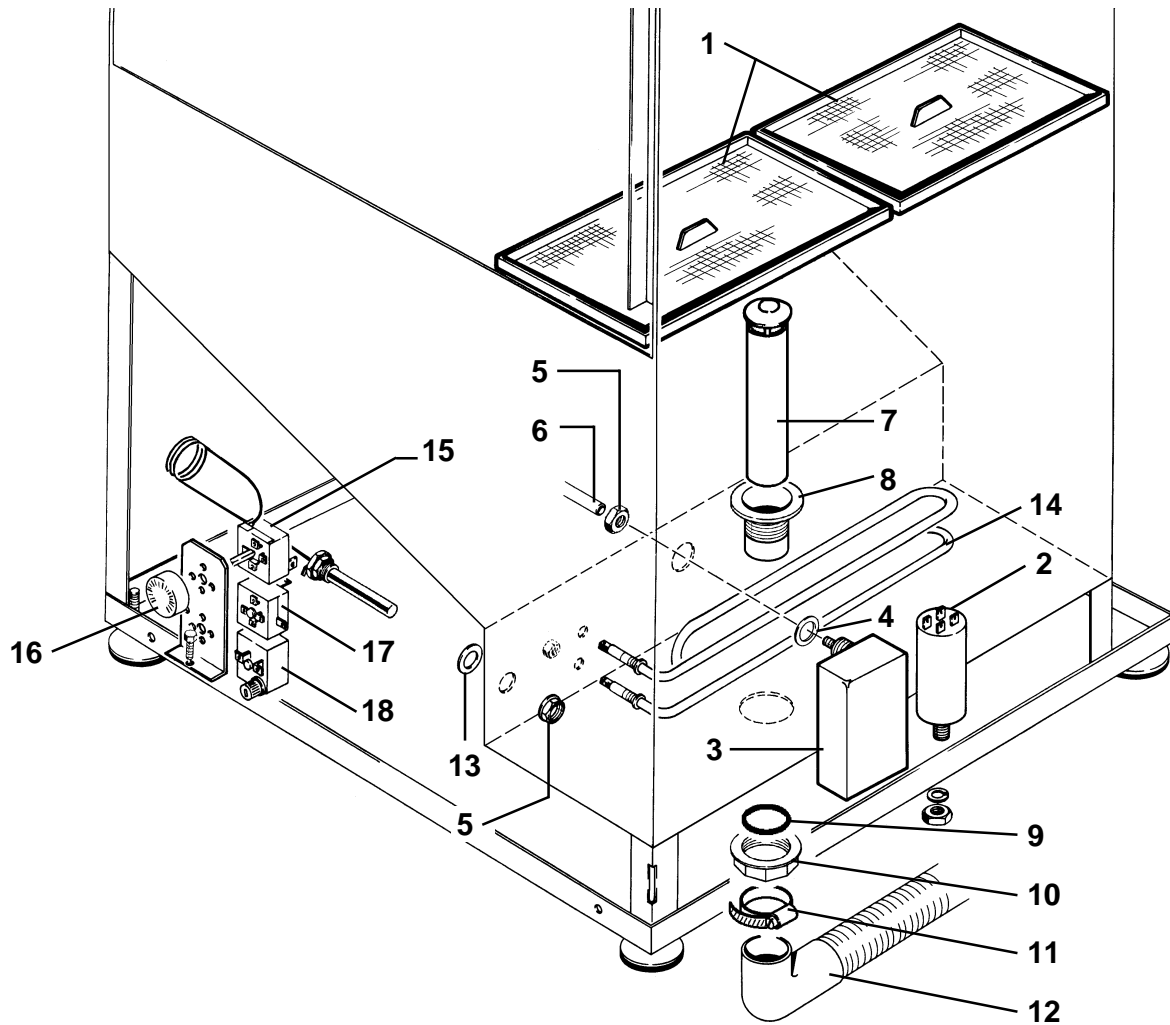
10/00

Pos	COD.	DESCRIZIONE	DENOMINATION	DESCRIPTION	BEZEICHNUNG
1	902301	POMPA 1,2 HP	POMPE	PUMP	PUMPE
2	903690	MANICOTTO ASPIRAZIONE	MANCHON D'ASPIRATION	INLET ELBOW	ANSAUGMUFFE
3	902490	FASCETTA 58÷75	COLLIER	CLAMP	SHELLE
4	902460	FASCETTA 26÷38	COLLIER	CLAMP	SHELLE
5	TR2449	GHIERA 2" GAS	VIROLE	LOCK-NUT	NUT-MUTTER
6	TR2448	GUARNIZIONE	JOINT	GASKET	DICHTUNG
7	TR0099	RACCORDO ASPIRAZIONE	RACCORD D' ASPIRATION	INTAKE PIPE FITTING	ANSAUGANSCHLUSSE
8	902610	FILTRO	FILTRE	FILTER	FILTER
9	907360	TUBO GOMMA 10x17	TUYAU EN CAOUTCHOUC	RUBBER HOSE	GUMMISCHLAUSCH
10	902440	FASCETTA 13÷20	COLLIER	CLAMP	SHELLE
11	905382	RACCORDO A "T"	RACCORD	PIPE FITTING	ANSCHLUSSE
12	903726	MANICOTTO MANDATA SUP.	MANCHON DE REFOUL. SUP.	UPPER OUTLET. ELBOW	OBERE AUSLASSMUFFE
13	902441	FASCETTA 38÷50	COLLIER	CLAMP	SHELLE
14	900033	MOZZO SUPERIORE	MOYEU SUPERIEUR	UPPER HUB	OBERE NABE
15	903330	GUARNIZIONE	JOINT	GASKET	DICHTUNG
16	901775	FLANGIA	FLASQUE	FLANGE	FLANSCH
17	907780	VITE T.E. M6x10	VIS	SCREW	SCHRAUBE
18	904765	PERNO LAVAGGIO	TOURILLON DE LAVAGE	WASH PIN	WASH STIFT
19	906002	RONDELLA	RONDELLE	WASHER	UNTERLEGSCHIEBE
20	900035	GHIERA 1" 1/2	VIROLE	LOCK-NUT	NUT-MUTTER
21	903301	GUARNIZIONE	JOINT	GASKET	DICHTUNG
22	900031	MOZZO INFERIORE	MOYEU INFERIEUR	LOWER HUB	UNTERE NABE
23	907295	TUBO GOMMA 12x19,5	TUYAU EN CAOUTCHOUC	RUBBER HOSE	GUMMISCHLAUSCH
24	903750	MANICOTTO MANDATA	MANCHON DE REFOULEM.	OUTLET ELBOW	AUSLASSMUFFE
25	907908	RACCORDO GOMITO 1/4"	RACCORD	PIPE FITTING	ANSCHLUSSE



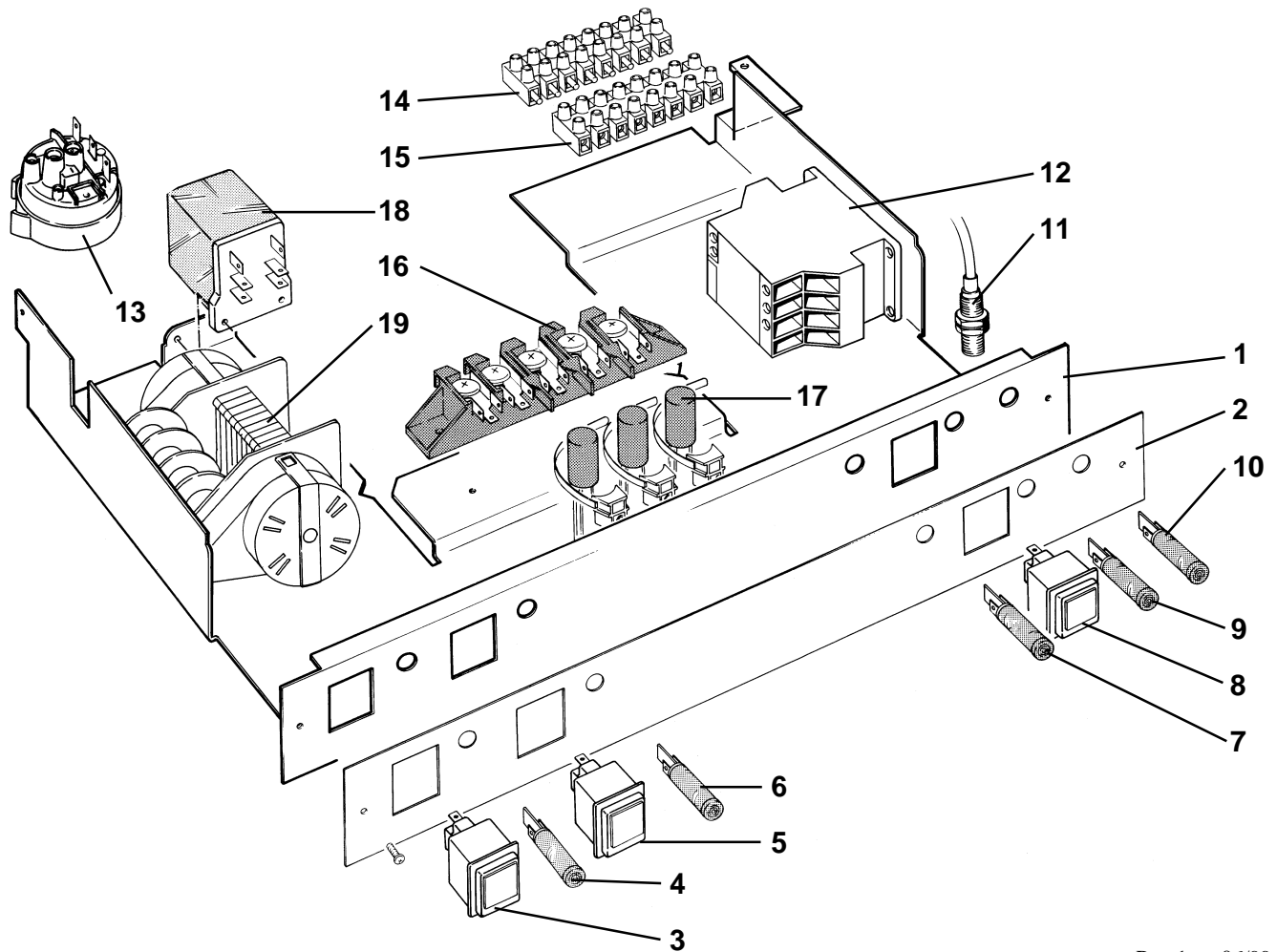
Rev.1 06/99

Pos	COD.	DESCRIZIONE	DENOMINATION	DESCRIPTION	BEZEICHNUNG
1	904277	MOZZO + GHIERA	MOYEU + VIROLE	HUB + RING - NUT	NABE + KLEMMUTTER
2	902908	GIRANTE LAVAGGIO	BRAS DE LAVAGE	WASH ARM	SPÜLLARM
3	904760	PERNO GIRANTE RISC.	TOURILLON DE RINÇAGE	RINSE PIN	SPÜLLSTIFT
4	904292	MOZZO GIRANTE RISC.	MOYEU	HUB	NABE
5	902816	GETTO RISCIAQUO	JET DE RINÇAGE	RINSING JET	SPÜLLDUSE
6	907651	VITE TPS M 4x8	VIS	SCREW	SCHRAUBE
7	904321	O-RING	O-RING	O-RING	O-RING
8	906450	TAPPO PER BRACCIO RISC.	BOUCHON BRAS DE RING.	PLUG FOR RINSE ARM	VERSCHLUSS SPÜLLAUF.
9	902880	GHIERA BLOCCAGGIO	FRETTE DE BLOCAGE	RING-NUT	KLEMMUTTER
10	954806	BRACCIO RISCIAQUO DX	BRAS DE RINÇAGE DROITE	RIGHT RINSE ARM	RECHTE SPÜLLAUFRAD
11	954807	BRACCIO RISCIAQUO SX	BRAS DE RINÇAGE GAUCHE	LEFT RINSE ARM	LINKE SPÜLLAUFRAD
12	904388	O-RING	O-RING	O-RING	O-RING
13	903107	GIRANTE LAVAGGIO COMP.	BRAS DE LAVAGE COMPL.	COMPL. WASH ARM	SPÜLLARM KOMPL.
14	903017	GIRANTERISCIAQUO COMP.	BRAS DE RINÇAGE COMPL.	COMPL. RINSE ARM	SPÜLLSTIFT KOMPL.



Rev.1 06/99

Pos	COD.	DESCRIZIONE	DENOMINATION	DESCRIPTION	BEZEICHNUNG
1	902631	FILTRO	FILTRE	FILTER	FILTER
2	901743	CONDENSATORE 16 µF	CONDENSEUR	CONDENSER	KONDENSATEUR
3	TR0268	TRAPPOLA ARIA	RESERVOIR AIR	AIR TRAP	LUFTFALLE
4	903260	GUARNIZIONE	JOINT	GASKET	DICHTUNG
5	902100	GHIERA 3/8" GAS	VIROLE	LOCK-NUT	NUT-MUTTER
6	907272	TUBO PRESSOSTATO	TUYAU PRESSOSTAT	PRESSURE SWITCH PIPE	SCHLAUCH
7	907336	TROPPO PIENO	NIVEAU	OVER FLOW	VERBELAUF
8	905450	RACCORDO SCARICO 1" ¼	RACCORD DECHARGE	PIPE FITTING FOR OUTLET	ABLAUFANSCHLUSS
9	904380	O-RING	O-RING	O-RING	O-RING
10	902080	GHIERA 1" ¼	VIROLE	LOCK-NUT	NUT-MUTTER
11	902441	FASCETTA 38÷50	COLLIER	CLAMP	SHELLE
12	907450	TUBO SCARICO	TUYAU DE DECHARGE	OUTLET PIPE	ABLAUFLAUCH
13	904991	GUARNIZIONE	JOINT	GASKET	DICHTUNG
14	905748	RESISTENZA 3.000 W	RESISTANCE	HEATING ELEMENT	HEIZKÖRPER
15	907110	TERMOSTATO REG. 0°-90°	THERMOSTAT	THERMOSTAT	THERMOSTAT
16	903982	MANOPOLA	BOUTON	KNOB	KNOPF
17	907124	TERMOSTATO VASCA	THERMOSTAT	THERMOSTAT	THERMOSTAT
18	907125	TERMOSTATO SICUREZZA	THERMOSTAT	THERMOSTAT	THERMOSTAT



Rev.1 06/99

Pos	COD.	DESCRIZIONE	DENOMINATION	DESCRIPTION	BEZEICHNUNG
1	904674	PANNELLO COMANDI	TABLEAU COMMANDE	ELECTRIC PANEL	SCHALTAFEL
2	907014	TARGA	PLAQUETTE	PLATE	SCHILD
3	905326	INTERRUPTORE PREPARAZ.	INTERRUPTEUR DE PREP.	"PREPARATION" SWITCH	DRUCKKNOPF VORBEREITU
4	903632	SPIA LINEA	LAMPE DE PREPARATION	"PREPARATION" LAMPE	KONTROLLAMPE VORBER.
5	905324	PULSANTE CICLO	BOUTON CYCLE	CYCLE PUSH BUTTON	DRUCKKNOPF ZYCLUS
6	903629	SPIA CICLO	LAMPE CYCLE	CYCLE LAMP	KONTROLLAMPE ZYCLUS
7	903629	SPIA CICLO CORTO	LAMPE CYCLE COURT	SMALL CYCLE LAMP	KURS KONTROLLAMPE ZYCL.
8	905326	INTERRUT. SELETT. TEMPI	INTERRUPT. SELECT. TEMPS	TIME SELECTOR SWITCH	WAHLSCHALTER
9	903629	SPIA CICLO LUNGO	LAMPE CYCLE LONG	LONG CYCLE LAMPE	LANG KONTROLLAMPE ZYCL.
10	903629	SPIA BOILER	LAMPE CHAUFFEEAU	BOILER LAMP	WARMWASSERSPEICHER.
11	TR0309	REED MAGNETICO	REED	REED	REED
12	907041	TELERUTTORE	TELERUPTEUR	CONTACTOR	SCHUTZ
13	905275	PRESSOSTATO	PRESSOSTAT	PRESSURE SWITCH	DRUCHWAECHTER
14	904200	MORSETTIERE	BORNES	TERMINAL BOARD	KLEMMLEISTE
15	904170	MORSETTIERE	BORNES	TERMINAL BOARD	KLEMMLEISTE
16	904150	MORSETTIERE	BORNES	TERMINAL BOARD	KLEMMLEISTE
17	902105	FILTRI ANTIDISTURBO	FILTRE ANTIDERANGEMENT	NOISE FILTER	ENTSTORFILTER
18	905474	RELE'	RELAIS	RELAY	RELAIS
19	907182	TIMER CICLO	TIMER CYCLE	CYCLE TIMER	ZYCLUSZEITUHR