

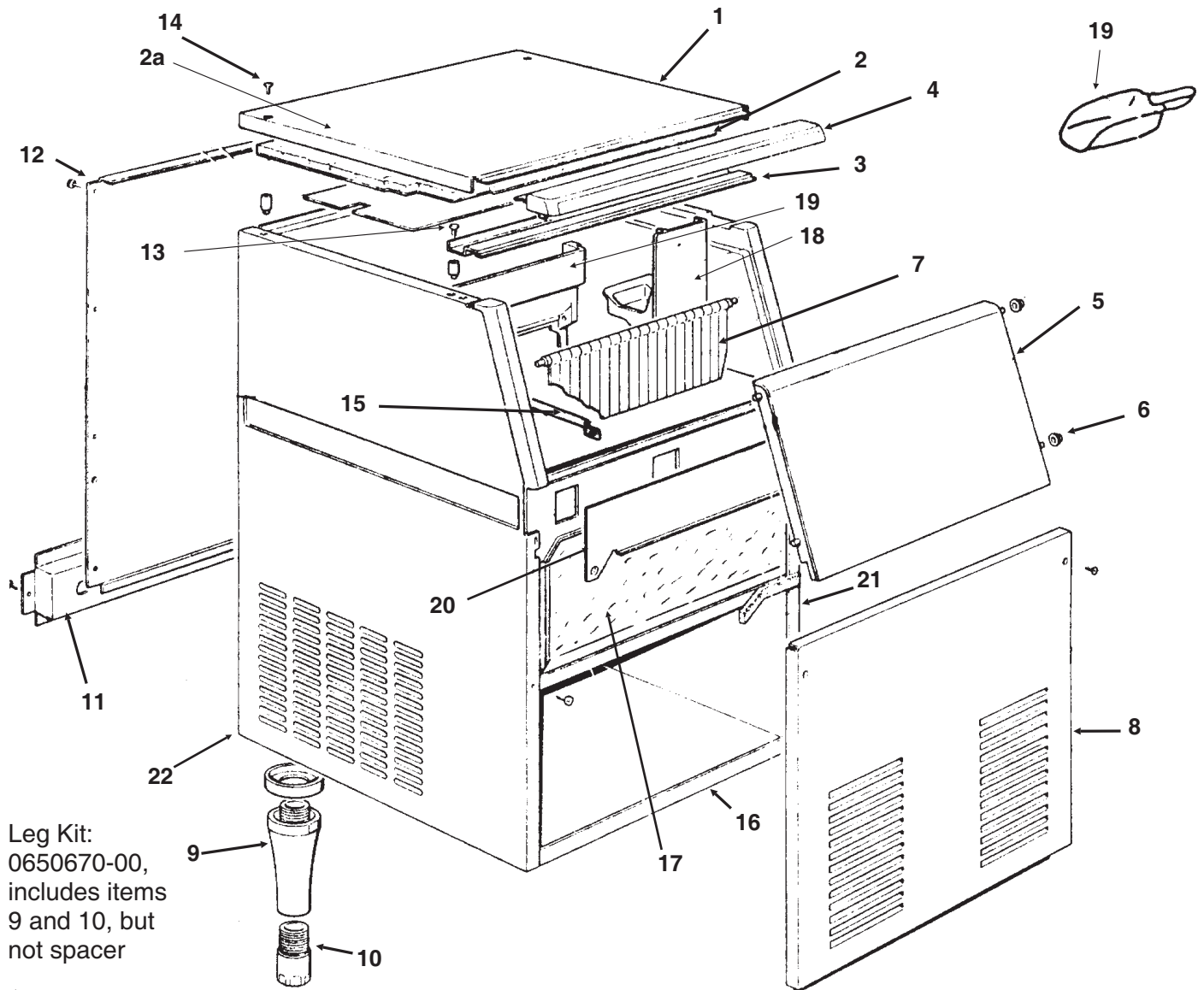
CSE60 Service Parts

This is the parts list for the CSE60. Always check the description to be certain that it matches the part required.

Table of Contents

| | |
|---------------------------|--------|
| Cabinet | page 2 |
| Water System | page 3 |
| Refrigeration | page 4 |
| Control Box | page 5 |
| Wiring Diagrams | page 6 |

CSE60 Service Parts CABINET

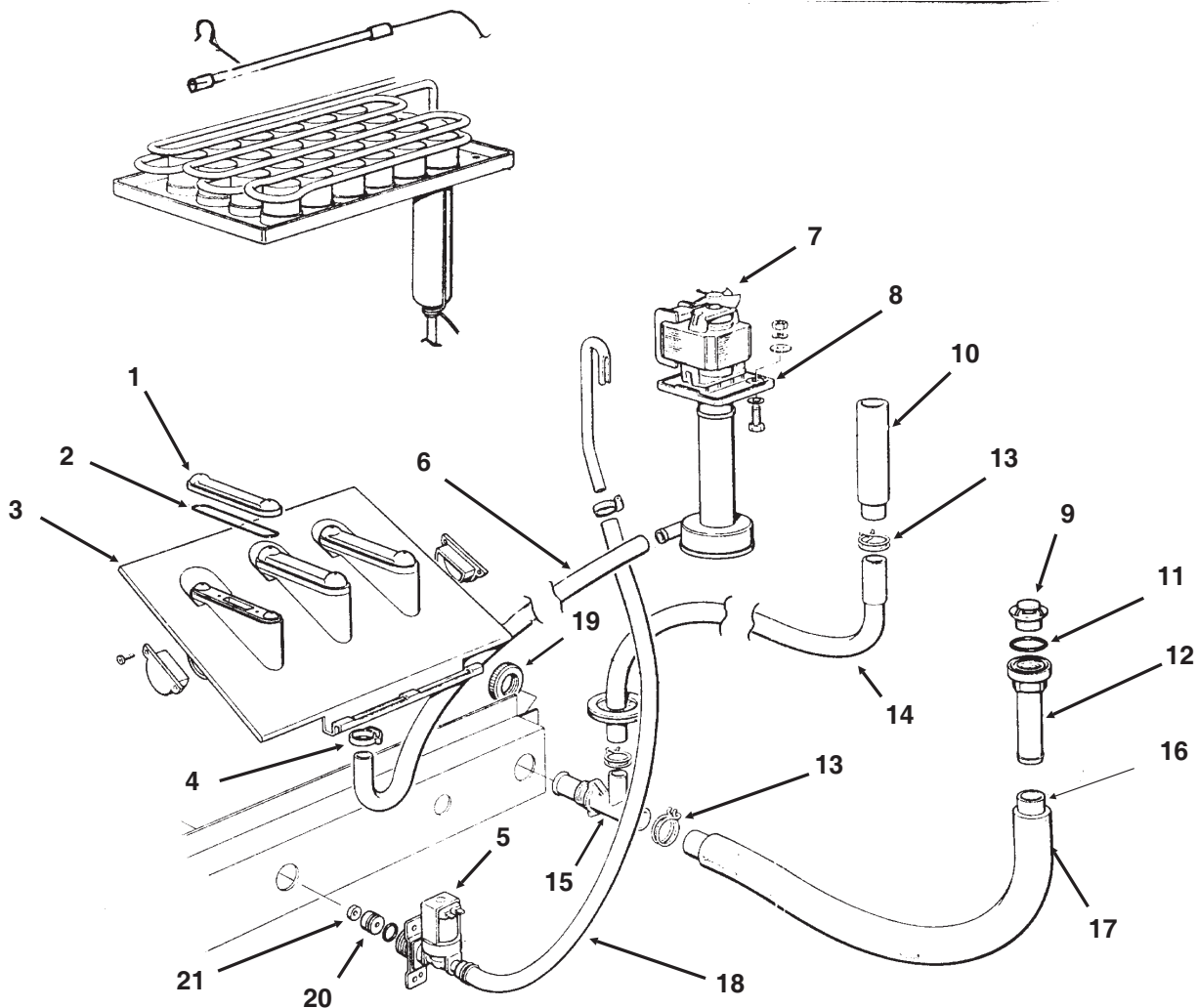


Leg Kit:
0650670-00,
includes items
9 and 10, but
not spacer

| ITEM NUMBER | PART NUMBER | DESCRIPTION | ITEM NUMBER | PART NUMBER | DESCRIPTION |
|-------------|-------------|------------------|-------------|-------------|----------------------|
| 1. | F701939-04 | Top panel | 12. | F702295-00 | Back panel |
| 2. | F784378-00 | Insulation | 13. | F470000-03 | Screw |
| 2a | F742033-00 | Cover | 14. | F470002-00 | Screw |
| 3. | F721455-00 | Brace | 15. | F732017-00 | Bin Thermo Bracket |
| 4. | F660468-02 | Upper Door Frame | 16. | F791061-02 | Unit base assembly |
| 5. | F660572-01 | Door | 17. | F060498-01 | Storage Bin Assembly |
| 6. | F660286-00 | Door Bushing (4) | 18. | F660470-02 | Pump bracket |
| 7. | F784169-09R | Curtain | | F660469-02 | Curtain bracket |
| 8. | F721695-01 | Front panel, | 19. | 02-3253-01 | Scoop |
| 9. | F660257-00 | Leg | 20. | F721668-05 | Front plate |
| | F660516-00 | Leg spacer | 21. | F721808-00 | Right side panel |
| 10. | F660258-01 | Leg Leveler | 22. | F721809-00 | Left side panel |

CSE60 Service Parts

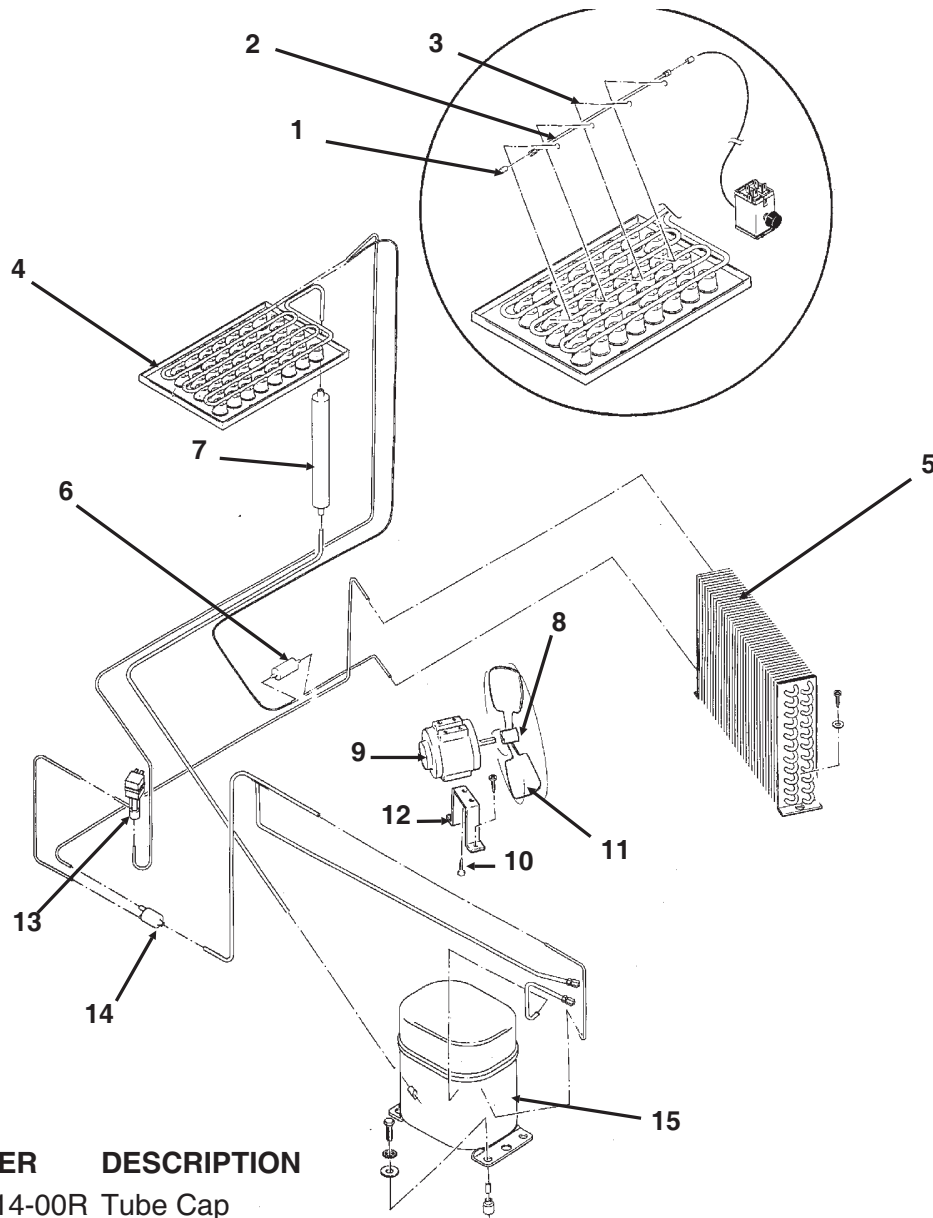
Water System



| ITEM NUMBER | PART NUMBER | DESCRIPTION | ITEM NUMBER | PART NUMBER | DESCRIPTION |
|-------------|-------------|-------------------------|-------------|-------------|--------------------------------|
| 1. | F060529-01 | Spray nozzle (set of 3) | 13. | F460004-00 | Hose Clamp |
| 2. | F640041-20 | Gasket | 14. | F610159-02 | Drain tube |
| 3. | F793129-04 | Spray system (complete) | 15. | F660224-00 | Drain Fitting |
| 4. | F650499-01 | Hose Clamp | 16. | F610148-11 | Bin Drain Hose |
| 5. | A32405-001 | Inlet Water Valve | 17. | F744014-05 | Drain Hose Insul. |
| 6. | F610166-00 | Hose, Pump To Jets | 18. | F281900-04 | Supply Hose, 1 meter |
| 7. | F660463-02 | Pump Fan | 19. | F660535-00 | Ring Nut |
| 8. | A32588-020 | Water Pump | 20. | no number | part of item 5 |
| 9. | F660211-01 | Drain Top | 21. | no number | part of item 5 |
| 10. | F660387-01 | Stand pipe | Not Shown, | | |
| 11. | F640134-00 | O-ring | 22. | 02165477 | Inlet Water Adaptor (optional) |
| 12. | F660219-01 | Drain Tube Fitting | | | |

CSE60 Service Parts

REFRIGERATION

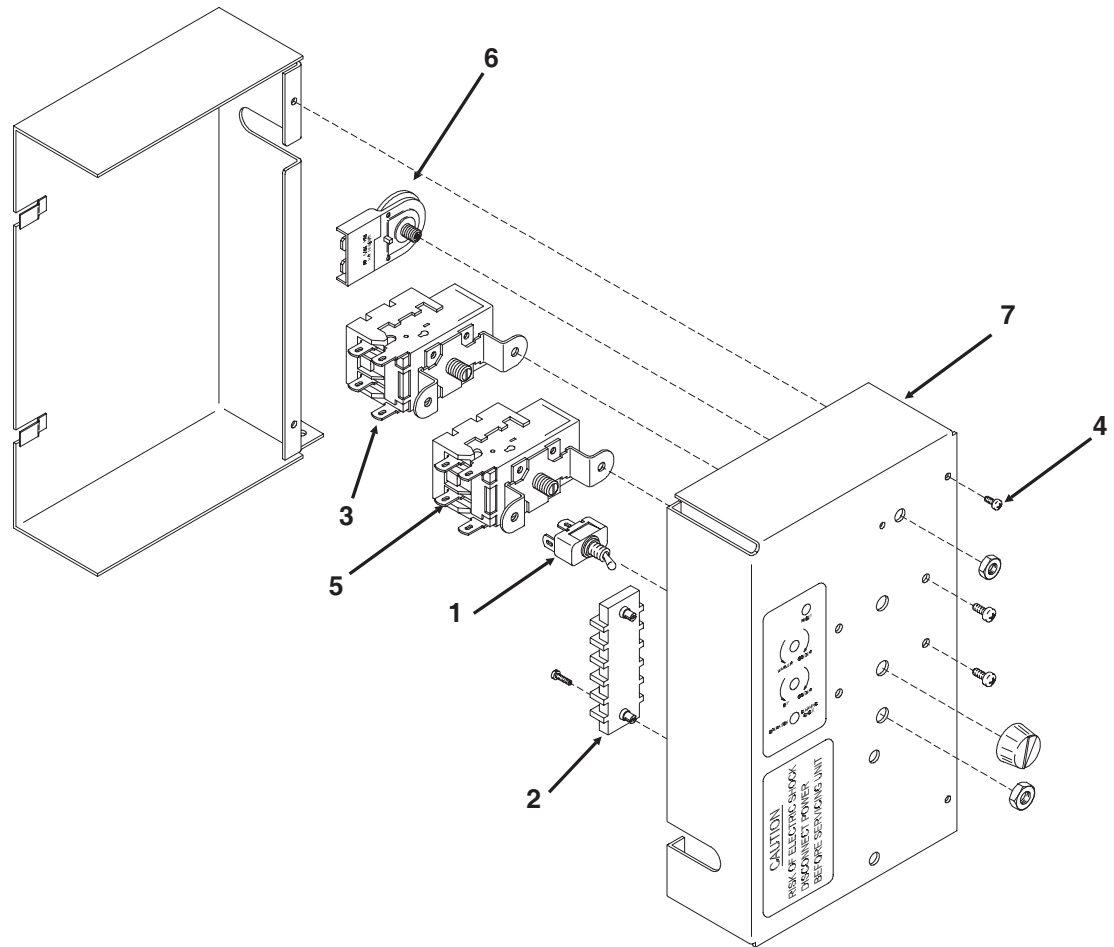


| ITEM NUMBER | PART NUMBER | DESCRIPTION |
|-------------|-------------|--------------------------|
| 1. | F741114-00R | Tube Cap |
| 2. | F650475-02 | Tube |
| 3. | F650475-00 | Tube Clip |
| 4. | F784297-01 | Evaporator |
| 5. | F620420-00 | Condenser |
| 6. | F630003-05 | Drier |
| 7. | F784444-03 | Accumulator/suction Line |
| 8. | 18-8752-11 | Fan Nut |
| 9. | A38464-001 | Fan Motor |
| 10. | F420800-00 | Screw |
| 11. | 18-8725-21 | Fan Blade |
| 12. | F704246-03 | Fan motor bracket |

| ITEM NUMBER | PART NUMBER | DESCRIPTION |
|-------------|-------------|--------------------|
| 13. | F620306-27 | Hot Gas Valve Body |
| | F620306-51 | Hot Gas Valve Coil |
| 14. | F630137-00 | Strainer |
| 15. | F670101-05 | Compressor |
| | F620167-55 | Start capacitor |
| | F620057-58 | Relay |
| | F620058-93 | Overload |

CSE60 Service Parts

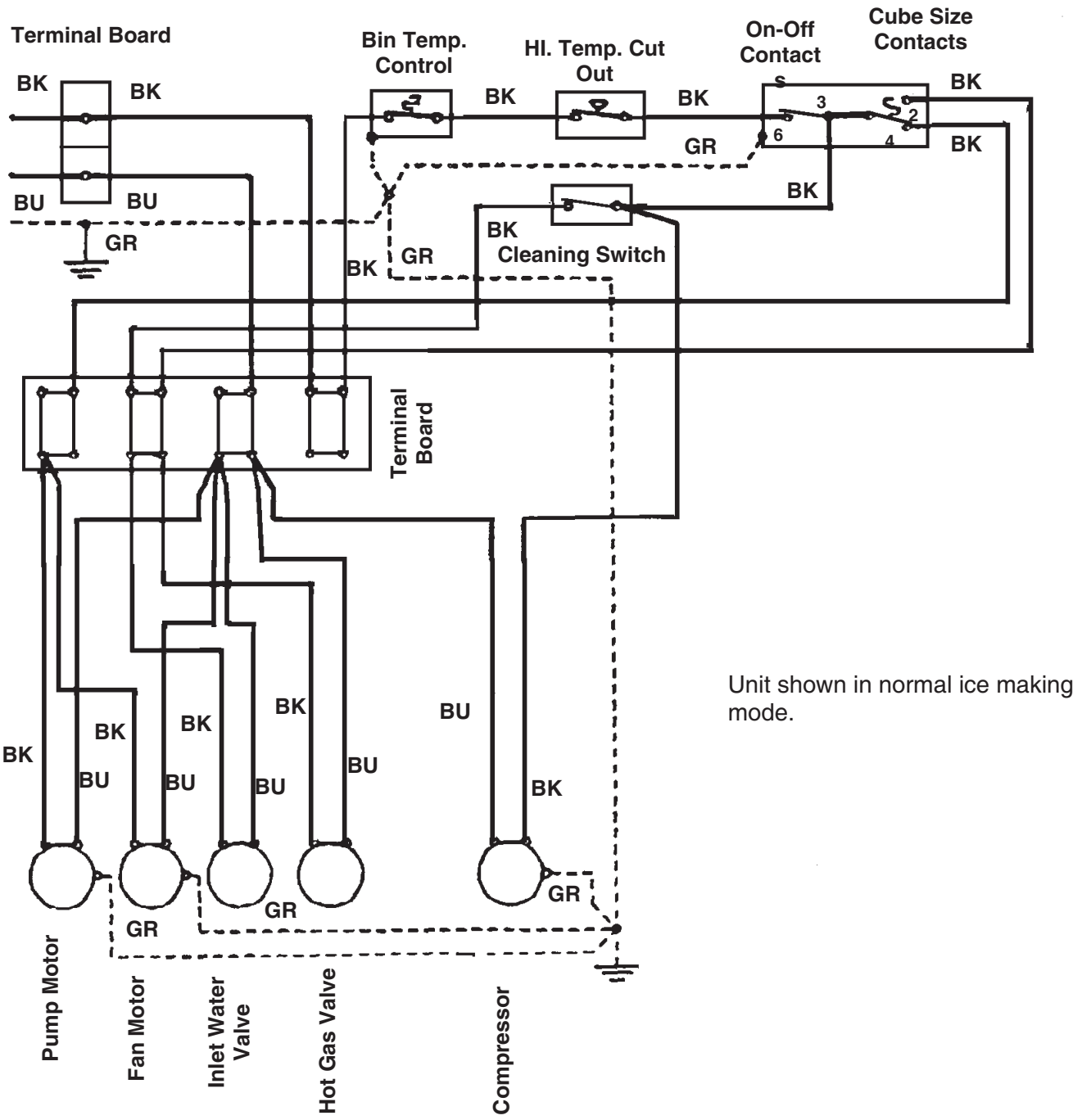
CONTROL BOX



| ITEM NUMBER | PART NUMBER | DESCRIPTION |
|-------------|-------------|------------------------|
| 1. | F620033-01 | Toggle Switch |
| 2. | F630114-01 | Terminal Board |
| 3. | F620209-00 | Bin Thermostat |
| 4. | F470079-00 | Screw |
| | F440063-00 | Lockwasher |
| 5. | F620264-11 | Cube Size Control |
| 6. | F620443-01 | Hi temperature cut out |
| 7. | F705219-00 | Control box cover |

CSE60 Service Parts

COMPONENT LAYOUT DIAGRAM



Unit shown in normal ice making mode.

CSE60 Service Parts SCHEMATIC DIAGRAM

