

**Marmita eléctrica baño maría**  
**Electric indirect boiling pans**  
**Marmites électriques système bain-marie**  
**Elektro-kochkessel indirekt beheizt**  
**Pentole riscaldamento elettrico indiretto**  
**Marmita eléctrica de banho-maria**

**GAMA 900**

**Modelos:**

**ME9-10 BM**

**ME9-15 BM**

**ME9-10 BM 316**

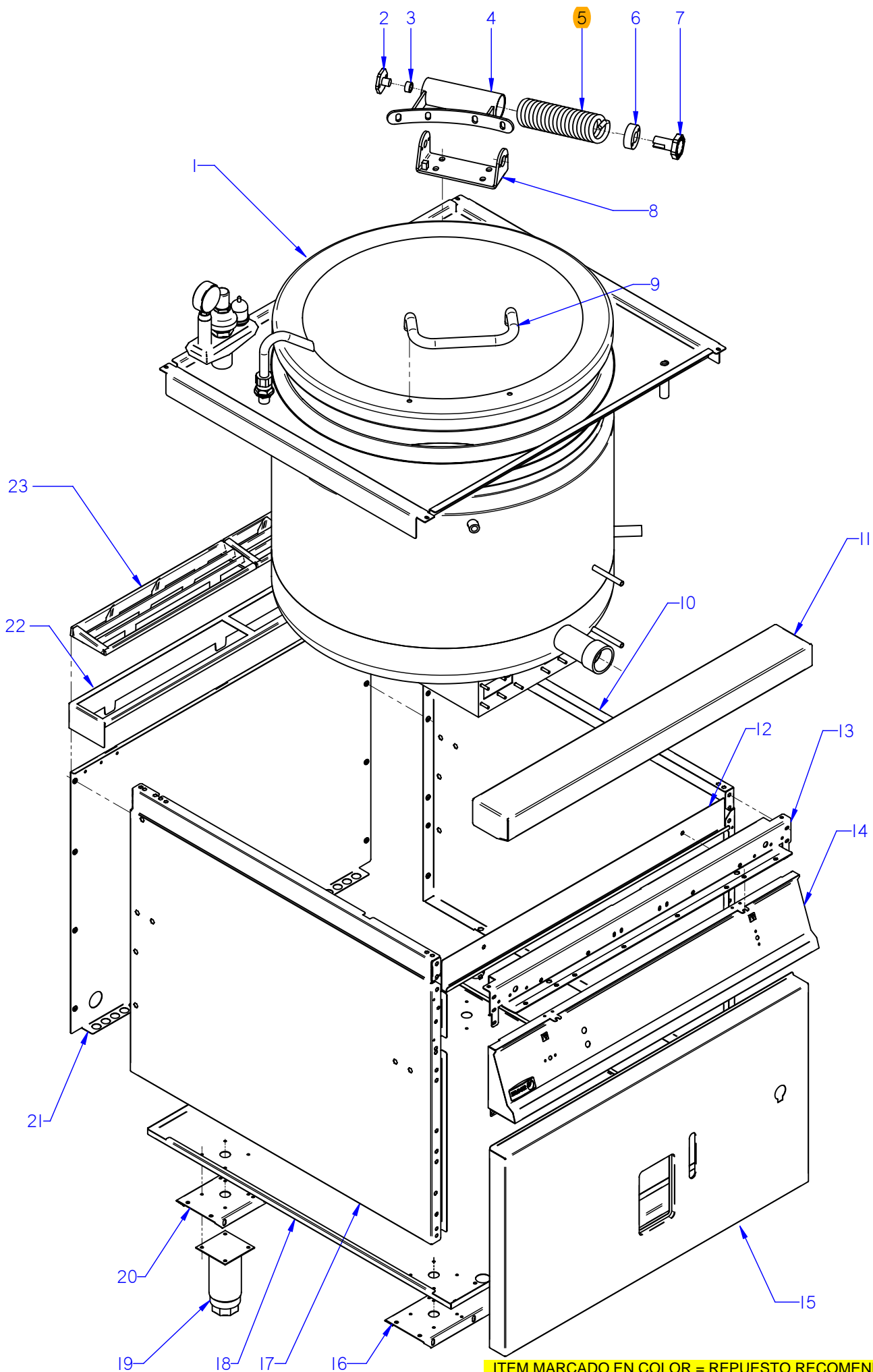
***Marzo 2009 March***

*Revisado Noviembre 2012 November Revised*



---

F A G O R I N D U S T R I A L



ITEM MARCADO EN COLOR = REPUESTO RECOMENDADO  
 COLOURED ITEM = RECOMMENDED SPARE PART

N plano	Firma	Fecha	Aparato	MUEBLE	Lamina	Fagor Industrial S.Coop. <b>FAGOR</b>
C-2265	<i>(Signature)</i>	2009-03	MARMITA ME9-10 BM; ME9-15 BM		1	Oñate

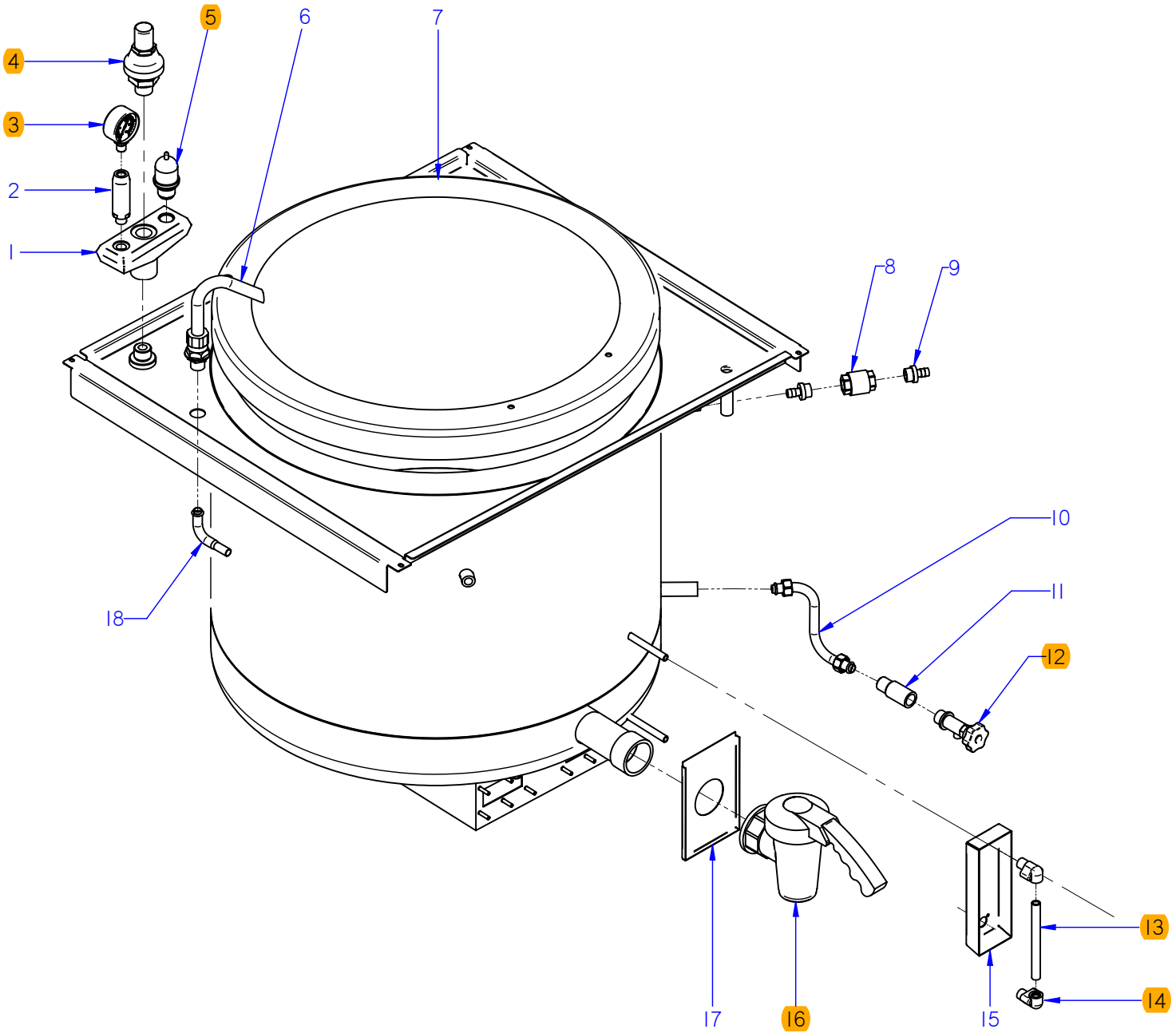
MOD.		MARMITAS GAMA 900 / PAN 900 RANGE		ZONA	MUEBLE / UNIT					PLANO	C-2265
ITEM	CODIGO	DENOMINACION	TEXTO	ME9-10 BM	ME9-10 BM S	ME9-15 BM	ME9-15 BM S	ME9-15 BM 316			NOTAS
1	S166133000	CUBA+TAPA ME9-10 BM	TUB+COVER MG9-10	1	1	-	-	-			ELIMINADO 03,01,11
1	S166145000	CUBA+TAPA ME9-10 BM	TUB+COVER MG9-10	1	1	-	-	-			INTRODUCIDO 03,01,11
1	S236121000	CUBA+TAPA ME9-15 BM	TUB+COVER ME9-15 BM	-	-	1	1	-			ELIMINADO 03,01,11
1	S236131000	CUBA+TAPA ME9-15 BM	TUB+COVER ME9-15 BM	-	-	1	1	-			INTRODUCIDO 03,01,11
1	S236126000	CUBA+TAPA ME9-15 BM 316	TUB+COVER ME9-15 BM 316	-	-	-	-	1			ELIMINADO 03,01,11
1	S236136000	CUBA+TAPA ME9-15 BM 316	TUB+COVER ME9-15 BM 316	-	-	-	-	1			INTRODUCIDO 03,01,11
S/Nº	S016101000	FILTRO DE CUBA	TUB FILTER	1	1	1	1	1			
	S036117000	SOPORTE FILTRO	FILTER SUPPORT	2	2	2	2	2			
	Q412000000	REMACHE TUBULAR 4x8	TUBULAR RIVET 4x8	8	8	8	8	8			
2	S116119000	GIRO DE ASA	HANDLE ROTATION	1	1	1	1	1			
	Q012041000	TORNILLO EXAGONAL M6x10 A304	HEXAGONAL BOLT M6x10 A304	2	2	2	2	2			
3	S116126000	COJINETE CILINDRICO	CYLINDRICAL BEARING	1	1	1	1	1			
4	S036143000	BISAGRA COMPLETA	COMPLETE HINGE	1	1	1	1	1			
5	S116121000	RESORTE TAPA 07199	SPRING COVER 07199	1	1	1	1	1			
6	S116118000	CASQUILLO	BUSHING	1	1	1	1	1			
7	S116120000	TENSOR MUELLE	TENSIONING SPRING	1	1	1	1	1			
	Q012042000	TORNILLO EXAGONAL M6x15	HEXAGONAL BOLT M6x15	2	2	2	2	2			
	Q262040000	ARANDELA GROW. A6 A304	WASHER GROW. A6 A304	2	2	2	2	2			
8	S036131000	SOPORTE BISAGRA COMPLETA	COMPLETE HINGE SUPPORT	1	1	1	1	-			ELIMINADO 03.05.10
8	S226136000	SOPORTE BISAGRA COMPLETA	COMPLETE HINGE SUPPORT	1	1	1	1	-			INTRODUCIDO 03.05.10
8	S096124000	SOPORTE BISAGRA COMPLET. 316	COMPLETE HINGE SUPPORT	-	-	-	-	1			
8	S096124000	SOPORTE BISAGRA COMPLET. 316	COMPLETE HINGE SUPPORT	-	-	-	-	1			ELIMINADO 05,11,12
8	12047085	SOPOR. BISAGRA AISI ELECTROP	HINGE SUPP. AISI ELECTROP	-	-	-	-	1			INTRODUCIDO 05,11,12
S/Nº	S026102000	REFUERZO BISAGRA MARMITAS	COOK. POT HINGE REINFORCE.	1	1	1	1	1			
	Q232050000	ARANDELA A8	WASHER A8	4	4	4	4	4			
	Q262050000	ARANDELA GROW. A8 A304	WASHER GROW. A8 A304	4	4	4	4	4			
	Q212051000	TUERCA SOMBRERO M8	COWL NUT M8	4	4	4	4	4			
9	S036123000	ASA DE TAPA	COVER HANDLE	1	1	1	1	1			
	Q012053000	TORNILLO EXAGONAL M8x20 A304	HEXAGONAL BOLT M8x20 A304	2	2	2	2	2			
	Q302027000	ARANDELA 25x8,4x2	WASHER 25X8.4X2	2	2	2	2	2			

MOD.		MARMITAS GAMA 900 / PAN 900 RANGE		ZONA	MUEBLE / UNIT					PLANO	C-2265	
ITEM	CODIGO	DENOMINACION	TEXTO	ME9-10 BM	ME9-10 BM S	ME9-15 BM	ME9-15 BM S	ME9-15 BM 316				NOTAS
10	X162814000	PANEL LATERAL DERECHO G900	RIGHT SIDE PANEL G900	1	-	1	-	1				
10	S142806000	PANEL LATERAL DERECH. G9-00S	RIGHT SIDE PANEL G9-00S	-	1	-	-	-				
10	S222808000	PANEL LATERAL DERECH. G9-00S	RIGHT SIDE PANEL G9-00S	-	-	-	1	-				
	Q221343000	REMACHE EXAGONAL M6	HEXAGONAL RIVET M6	11	-	11	-	11				
	Q221342000	REMACHE EXAGONAL M5	HEXAGONAL RIVET M5	6	6	6	6	6				
	Q012053000	TORNILLO EXAGONAL M8x20 A304	HEXAGONAL BOLT M8x20 A304	2	-	2	-	2				
	Q012031000	TORNILLO EXAGONAL M5x10 A304	HEXAGONAL BOLT M5x10 A304	-	2	-	2	-				
11	S105402000	ANTERIOR DE MESA 1M	BENCH FRONT 1M	1	-	1	-	1				
	Q152004000	TORNILLO APLAST. M5x13 A304	MUSHROOM HEAD BOLT M5x13 A	2	-	2	-	2				
	Q302022000	ARANDELA 16x6x1,2 A304	WASHER 16x6x1.2 A304	2	-	2	-	2				
12	S162609000	CANALETA RECOGE-AGUAS	WATER COLLECT CHANNEL	1	1	1	1	1				
	Q221342000	REMACHE EXAGONAL M5	HEXAGONAL RIVET M5	2	2	2	2	2				
	Q152004000	TORNILLO APLAST. M5x13 A304	MUSHROOM HEAD BOLT M5x13 A	2	2	2	2	2				
13	S222606000	ESCUADRA INTE. ANT. MESA 1M	BENCH FRONT INT BRACKET 1M	1	1	1	1	1				
	Q221342000	REMACHE EXAGONAL M5	HEXAGONAL RIVET M5	7	7	7	7	7				
	Q012032000	TORNILLO EXAGONAL M5X15	HEXAGONAL BOLT M5x15	6	6	6	6	6				
14	S162807000	PORTAMANDOS MARMITA ELECT.	ELECT. PAN CONTROL HOLDER	1	1	1	1	1				
	Q152004000	TORNILLO APLAST. M5x13 A304	MUSHROOM HEAD BOLT M5x13 A	4	4	4	4	4				
	Q221343000	REMACHE EXAGONAL M6	HEXAGONAL RIVET M6	2	2	2	2	2				
	Q151336000	TORNILLO SOPORTE GUIAS	GUIDE SUPPORT BOLT	2	2	2	2	2				
	Q302022000	ARANDELA 16x6x1,2 A304	WASHER 16x6x1.2 A304	2	2	2	2	2				
	U022836000	ESCUDO FAGOR	FAGOR EMBLEM	1	1	1	1	1				
	Q221023000	CLIP SUJECIÓN RÁPIDA Ø 5	RAPID FASTENING CLIP Ø5	2	2	2	2	2				
15	S162806000	PANEL FRONTAL ME9-10 BM	FRONT PANEL ME9-10 BM	1	-	-	-	-				
15	S162809000	PANEL FRONTAL ME9-10 BM S	FRONT PANEL ME9-10 BM S	-	1	-	-	-				
15	S232806000	PANEL FRONTAL ME9-15 BM	FRONT PANEL ME9-15 BM	-	-	1	1	1				
	Q012042000	TORNILLO EXAGONAL M6x15	HEXAGONAL BOLT M6x15	2	2	2	2	2				
	Q302022000	ARANDELA 16x6x1,2 A304	WASHER 16x6x1.2 A304	2	2	2	2	2				
16	S102610000	LISTON SOPORTE PATAS ANT. 1M	FRONT LEG SUPPORT STRIP 1M	1	-	1	-	1				

MOD.		MARMITAS GAMA 900 / PAN 900 RANGE		ZONA	MUEBLE / UNIT					PLANO	C-2265
ITEM	CODIGO	DENOMINACION	TEXTO	ME9-10 BM	ME9-10 BM S	ME9-15 BM	ME9-15 BM S	ME9-15 BM 316			NOTAS
17	X162813000	PANEL LATERAL IZQUIERDO G900	LEFT SIDE PANEL G900	1	-	1	-	1			
17	S142805000	PANEL LATERAL IZQUIERD. G900S	LEFT SIDE PANEL G900S	-	1	-	-	-			
17	S222807000	PANEL LATERAL IZQUIERD. G915S	LEFT SIDE PANEL G915S	-	-	-	1	-			
	Q221343000	REMACHE EXAGONAL M6	HEXAGONAL RIVET M6	11	-	11	-	11			
	Q221342000	REMACHE EXAGONAL M5	HEXAGONAL RIVET M5	6	6	6	6	6			
	Q012053000	TORNILLO EXAGONAL M8x20 A304	HEXAGONAL BOLT M8x20 A304	2	-	2	-	2			
	Q012031000	TORNILLO EXAGONAL M5x10 A304	HEXAGONAL BOLT M5x10 A304	-	2	-	2	-			
18	S162617000	BASE INFERIOR ME900	LOWER BASE	1	-	1	-	1			
18	S162618000	BASE INFERIOR ME9-10 S	LOWER BASE ME9-10 S	-	1	-	-	-			ELIMINADO 23,01,11
18	12041733	BASE ME-10 S COMPLETA	COMPL. BASE ME9-10 S	-	1	-	-	-			INTRODUCIDO 23,01,11
18	S362810000	BASE INFERIOR S	LOWER BASE S	-	-	-	1	-			ELIMINADO 23,01,11
18	12041739	BASE ME9-15 S COMPLETA	COMPL. BASE ME9-15 S	-	-	-	1	-			INTRODUCIDO 23,01,11
	Q221343000	REMACHE EXAGONAL M6	HEXAGONAL RIVET M6	2	2	2	2	2			
	Q162040000	TUERCA EXAGONAL M6	HEXAGONAL NUT M6	4	-	4	-	4			
19	X260151000	PATA REGULABLE	ADJUSTABLE LEG	4	-	4	-	4			
	Q411304000	REMACHE AVIBULB Ø4,8	AVIBULB RIVET Ø4.8	16	-	16	-	16			
20	S102611000	LISTON SOPORTE PATAS POS.1M	REAR LEG SUPPORT STRIP 1M	1	-	1	-	1			
	Q012042000	TORNILLO EXAGONAL M6x15	HEXAGONAL BOLT M6x15	8	-	8	-	8			
	Q302022000	ARANDELA 16x6x1,2 A304	WASHER 16x6x1.2 A304	8	-	8	-	8			
	Q232040000	ARANDELA A6	WASHER A6	8	-	8	-	8			
21	U562853000	PANEL POSTERIOR 1M G9-00	REAR PANEL 1M G9-00	1	-	1	-	1			
21	X242817000	PANEL POSTERIOR 1M G9-10S	REAR PANEL 1M G9-10S	-	1	-	-	-			
21	S372816000	PANEL POSTERIOR 1M G9-15 S	REAR PANEL 1M G9-15 S	-	-	-	1	-			
	Q419005000	REMACHE 4x8 ALMG3 / ALUMINIO	RIVET 4X8 ALMG3 / ALUMINIUM	8	8	8	8	8			
22	R205439000	SOPORTE EMBELLECEDOR 1M	TRIM SUPPORT 1M	1	1	1	1	-			
22	R205439000	SOPORTE EMBELLECEDOR 1M	TRIM SUPPORT 1M	-	-	-	-	1			ELIMINADO 01.03.10
23	R205425000	EMBELLECEDOR ESMALTE	ENAMEL TRIM	2	2	2	2	-			
23	R205425000	EMBELLECEDOR ESMALTE	ENAMEL TRIM	-	-	-	-	2			ELIMINADO 01.03.10
23	S095412000	EMBELLEC. CHIMENEA ME 304	FIREPLACE TRIM ME 304	-	-	-	-	1			INTRODUCIDO 01.03.10

N plano	Firma	Fecha	Aparato	VALVULAS	Lamina	Fagor Industrial S. Coop.
C-2266	<i>(Firma)</i>	2009-03	MARMITA ME9-10 BM; ME 9-15 BM		2	<b>FAGOR</b>

ITEM MARCADO EN COLOR = REPUESTO RECOMENDADO  
 COLOURED ITEM = RECOMMENDED SPARE PART



MOD.		MARMITAS GAMA 900 / PAN 900 RANGE		ZONA		VALVULAS					PLANO		C-2266
ITEM	CODIGO	DENOMINACION	TEXTO	ME9-10 BM	ME9-10 BM S	ME9-15 BM	ME9-15 BM S	ME9-15 BM 316				NOTAS	
1	S022100000	SOPORTE 3 SALIDAS 22805062	3-OUTPUT SUPPORT 22805062	1	1	1	1	1					
	Q306063000	ARANDELA Ø34x26,7x1,5	WASHER Ø34x26.7x1.5	1	1	1	1	1					
2	S022102000	PORTAMANOMETRO 2210617	MANOMETERHOLDER 2210617	1	1	1	1	1					
	Q306066000	ARANDELA Ø23,9x16,6x3	WASHER Ø23.9X16.6X3	1	1	1	1	1					
3	9220815000	MANOMETRO 36303601	MANOMETER 36303601	1	1	1	1	1					
4	S022101000	VALVULA SEGURIDAD 01508004	SAFETY VALVE 01508004	1	1	1	1	1					
	Q306063000	ARANDELA Ø34x26,7x1,5	WASHER Ø34x26.7x1.5	1	1	1	1	1					
5	S022103000	VALVULA PRESION 01509004	PRESSURE VALVE 01509004	1	1	1	1	1					
	Q306064000	ARANDELA Ø29,8x24,8x1,5	WASHER Ø29.8x24.8x1.5	1	1	1	1	1					
6	S052100000	TUBO LLENADO 01102113	FILLER PIPE 01102113	1	1	1	1	1					
7	S166134000	CUBA COMPLETA ME9-10 BM	COMPLETE TUB ME9-10 BM	1	1	-	-	-				ELIMINADO 03,01,11	
7	S166144000	CUBA COMPLETA ME9-10 BM	COMPLETE TUB ME9-10 BM	1	1	-	-	-				INTRODUCIDO 03,01,11	
7	S236122000	CUBA COMPLETA ME9-15 BM	COMPLETE TUB ME9-15 BM	-	-	1	1	-				ELIMINADO 03,01,11	
7	S236130000	CUBA COMPLETA ME9-15 BM	COMPLETE TUB ME9-15 BM	-	-	1	1	-				INTRODUCIDO 03,01,11	
7	S236127000	CUBA COMPLETA ME9-15 BM 316	COMPLETE TUB ME9-15 BM 316	-	-	-	-	1				ELIMINADO 03,01,11	
7	S236135000	CUBA COMPLETA ME9-15 BM 316	COMPLETE TUB ME9-15 BM 316	-	-	-	-	1				INTRODUCIDO 03,01,11	
8	12044568	VALVULA ANTIRRETORNO 1/2"	NON-RETURN VALVE 1/2"	1	1	1	1	1				INTRODUCIDO 02,04,12	
9	12044569	BOQUILLA MANGUERA 1/2" Ø11	NOZZLE HOSE 1/2" Ø11	2	2	2	2	2				INTRODUCIDO 02,04,12	
	12010047	ABRAZADERA Fe Zn 8-14MM DIN3017	CLAMP Fe Zn 8-14MM DIN3017	2	2	2	2	2				INTRODUCIDO 02,04,12	
10	S025006000	CONDUC. PURGA COMPL. INF.	LOWER COMPL. BLEED PIPE	2	2	2	2	2					
10	S025006000	CONDUC. PURGA COMPL. INF.	LOWER COMPL. BLEED PIPE	1	1	2	2	2				ELIMINADO 01.02.09	
10	S045004000	CONDUCTO A NIVEL COMPLETO	COMPLETE LEVEL PIPE	-	-	2	2	2				INTRODUCIDO 01.02.09	
10	S045004000	CONDUCTO A NIVEL COMPLETO	COMPLETE LEVEL PIPE	-	-	1	1	1				ELIMINADO 31,01,11	
11	S045006000	CASQUILLO GRIFO NIVEL	LEVEL TAP BUSHING	1	1	1	1	1					
12	S102124000	GRIFO DE NIVEL C/MANILLA NEG	LEVEL TAP WITH BLACK HANDLE	1	1	1	1	1					
13	S042102000	TUBO NIVEL SERIGRAFIADO	PRINTED LEVEL PIPE	1	1	1	1	1					
S/Nº	S082101000	TUERCA 3/8	NUT 3/8	2	2	2	2	2					
S/Nº	U265008000	BICONE Ø10	BICONE Ø10	2	2	2	2	2					
14	S042101000	RACORD VISOR NIVEL	LEVEL SIGHT CONNECTION	2	2	2	2	2					
	Q307069000	JUNTA TORICA 17.26X12.36X2.5	O-RING 17.26X12.36X2.5	2	2	2	2	2					
15	S042647000	PROTECCION VISUALIZADOR	DISPLAY PROTECTION	1	1	1	1	1					

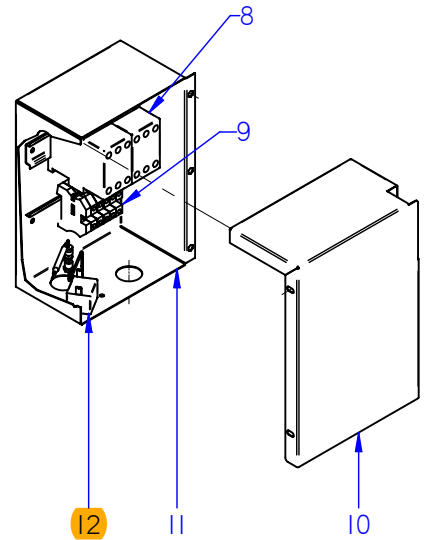
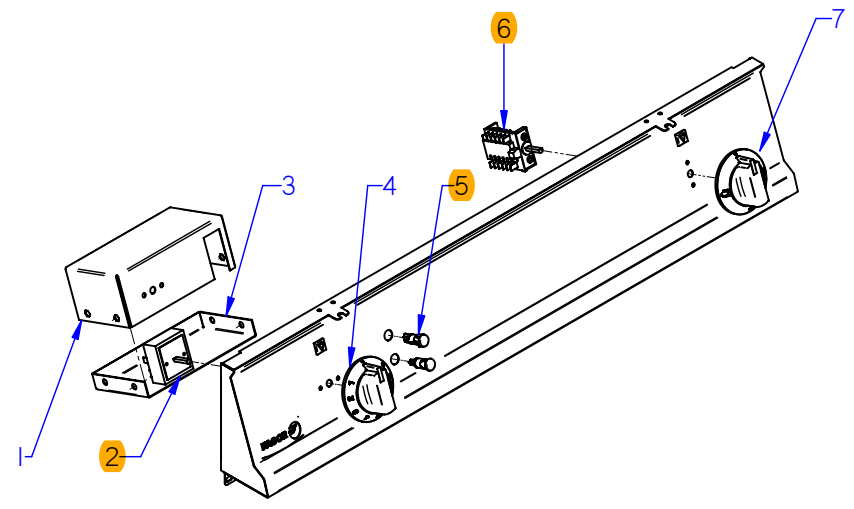
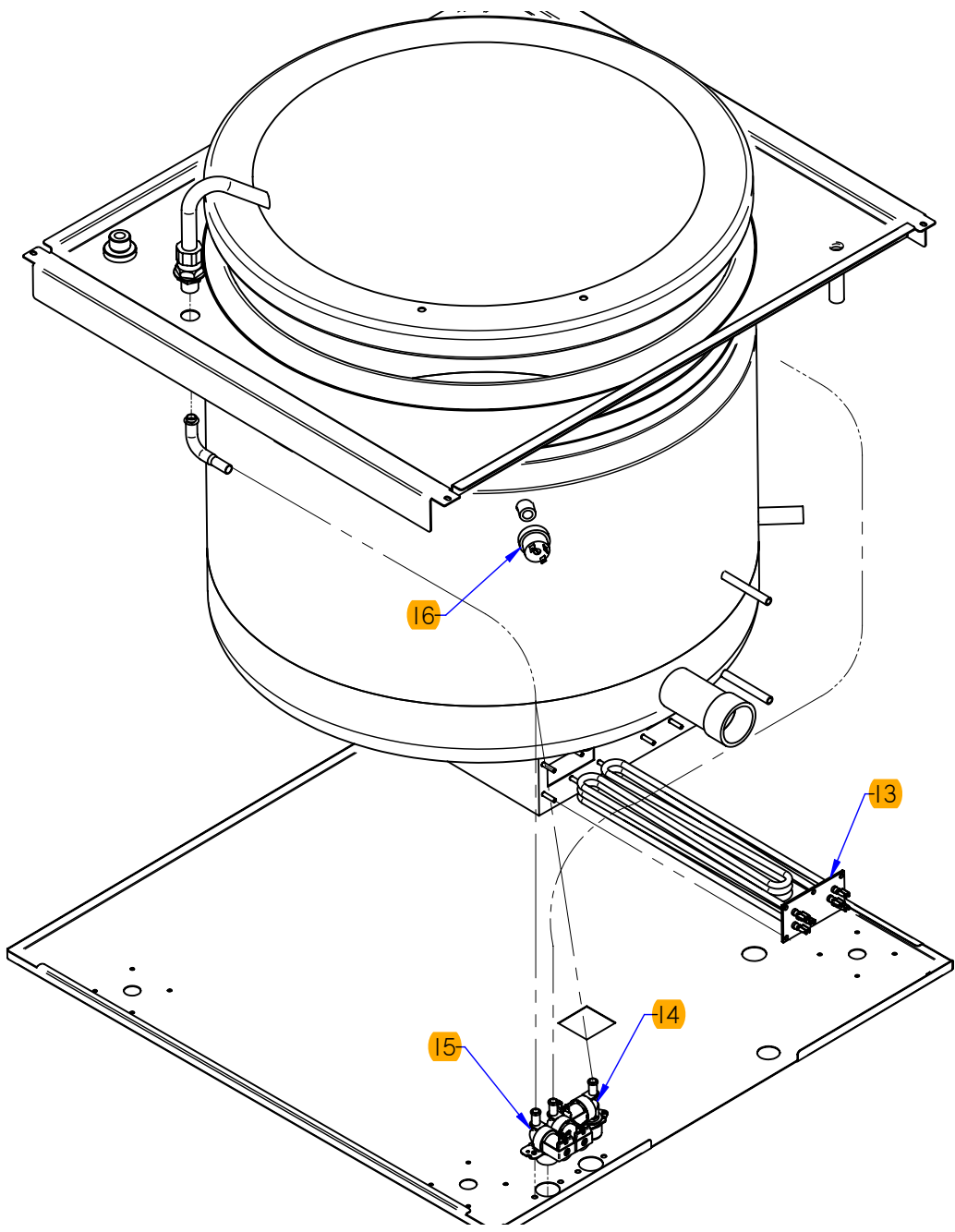
MOD.	MARMITAS GAMA 900 / PAN 900 RANGE	ZONA	VALVULAS	PLANO	C-2266
------	-----------------------------------	------	----------	-------	--------

ITEM	CODIGO	DENOMINACION	TEXTO	ME9-10 BM	ME9-10 BM S	ME9-15 BM	ME9-15 BM S	ME9-15 BM 316				NOTAS
16	S102125000	GRIFO VACIADO 2"	DRAINAGE TAP 2"	1	1	1	1	1				
17	S112803000	CUBIERTA GRIFO MG-900	TAP COVER MG-900	1	1	1	1	1				
S/Nº	S162103000	MUELLE MARMITA ELECTRICA	ELECTRIC PAN SPRING	1	1	1	1	1				
18	S565027000	TUBO ENTRADA TUBO LLENADO	INTAKE PIPE FILLER PIPE	1	1	1	1	1				
	Q306024000	JUNTA18X12.5X1.5	SEAL 18X12.5X1.5	1	1	1	1	1				
	Q223010000	TUERCA 1/2 GAS	NUT 1/2 GAS	1	1	1	1	1				
S/Nº	3676900000	TUBO GOMA NEGRA Ø 17*10	BLACK RUBBER PIPE 17*10	3	3	3	3	3				
	Q881308000	ABRAZADERA 8-14L	CLAMP 8-14L	6	6	6	6	6				
S/Nº	Z201106000	RACORD EN Y	Y-CONNECTION	1	1	1	1	1				



N plano	Firma	Fecha	Aparato	CONJUNTO FUNCIONAL	Lamina	Fagor Industrial S. Coop.
C-2267		2009-03	MARMITA ME9-10 BM; ME9-15 BM		3	Onate

ITEM MARCADO EN COLOR = REPUESTO RECOMENDADO  
 COLOURED ITEM = RECOMMENDED SPARE PART

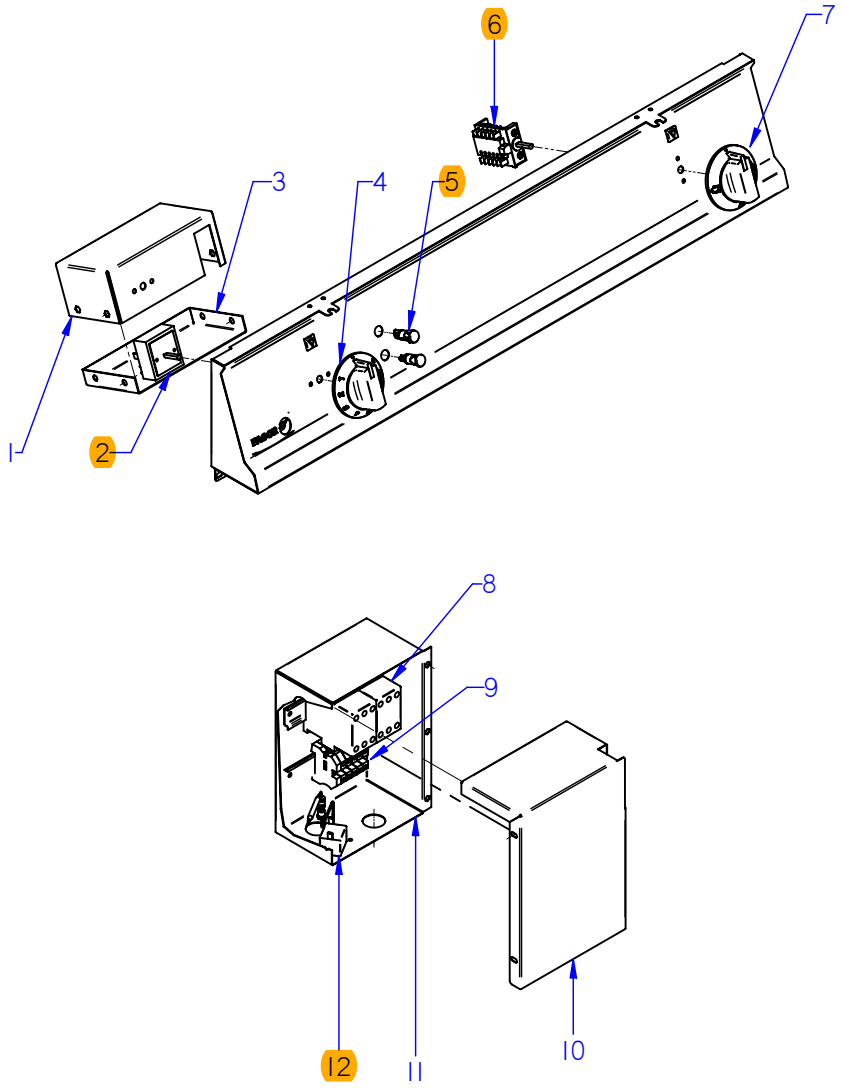
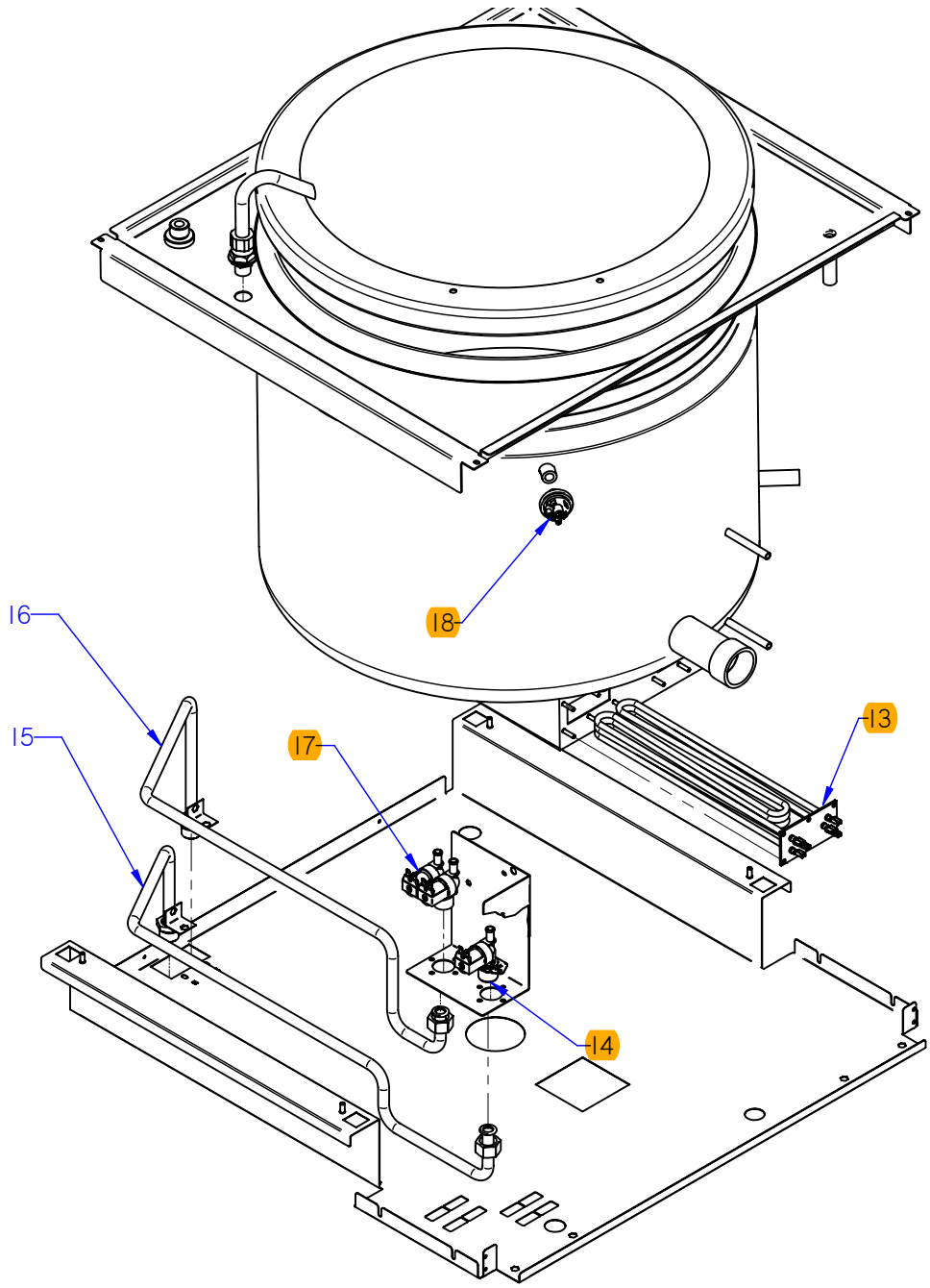


MOD.		MARMITAS GAMA 900 / PAN 900 RANGE		ZONA		CONJUNTO FUNCIONAL / FUNCTIONAL UNIT			PLANO		C-2267	
ITEM	CODIGO	DENOMINACION	TEXTO	ME9-10 BM	ME9-15 BM	ME9-15 BM 316						NOTAS
1	S162612000	CAJA PROTEC REGUL ENERGIA	ENERGY CTRL PROTEC BOX	1	1	1						
	Q221342000	REMACHE EXAGONAL M5	HEXAGONAL RIVET M5	4	4	4						
2	S333001000	REGULADOR DE ENERGIA	ENERGY REGULATOR	1	1	1						
	Q151320000	TORN. ALOMADO M4X6 H.ZINCADO	HEXAGONAL CURVED HEAD M4X	2	2	2						
3	S162613000	TAPA INF. CAJA PROTECC. REG	CTRL. PROTECT. BOX LOWER CC	1	1	1						
	Q152004000	TORNILLO APLAST. M5x13 A304	MUSHROOM HEAD BOLT M5x13 A	4	4	4						
4	S162102000	BOTON DE MANDO MARMITA ME9-	PAN CONTROL BUTTON ME9-	1	1	1						
5	R693056000	PILOTO AMBAR 41227000A4	AMBER PILOT 41227000A4	1	1	1						
S/Nº	R693055000	PILOTO VERDE 41227000C7	GREEN PILOT 41227000C7	1	1	1						
6	R693004000	CONMUTADOR DE FUNCIONES	FUNCTIONS SWITCH	1	1	1						
	Q042022000	TORNILLO AVELLANADO M4X15	COUNTERSUNK BOLT M4x15	2	2	2						
7	S142107000	MANDO AGUA MARMITA BM	WATER PAN CONTROL BM	1	1	1						
8	X183011000	CONTACTOR 3RT1024-1AN20 230	CONTACTOR 3RT1024-1AN20 230	2	2	2						
S/Nº	Z103084000	GUIA CONTACTOR L-138 "	CONTACTOR GUIDE L-138 "	1	1	1						
	Q419005000	REMACHE 4X8 ALMG3 / ALUMINIO	RIVET 4X8 ALMG3 / ALUMINIUM	2	2	2						
9	Z683069000	BORNES 16	TERMINALS 16	3	3	3						
	Z683097000	BORNA PASO WDU16 10204.8	STEP TERMINAL WDU16 10204.8	1	1	1						
	Z683070000	BORNA A TIERRA WEIDMULLER	TERMINAL TO EARTH WEIDMULL	1	1	1						
	Z683096000	TOPE FINAL WEW35 10590.0	END STOP WEW35 10590.0	1	1	1						
	Z683068000	SEÑALIZ.DEK-6WEIDMULLER	SIGNS DEK-6WEIDMULLER	1	1	1						
S/Nº	Z103084000	GUIA CONTACTOR L-138 "	CONTACTOR GUIDE L-138 "	1	1	1						
	Q419005000	REMACHE 4X8 ALMG3 / ALUMINIO	RIVET 4X8 ALMG3 / ALUMINIUM	2	2	2						
10	S093014000	TAPA CAJA ELECTRICA G9-00	ELECTRIC BOX COVER G9-00	1	1	1						
11	S092606000	CAJA ELECTRICA	ELECTRIC BOX	1	1	1						
	Q221342000	REMACHE EXAGONAL M5	HEXAGONAL RIVET M5	3	3	3						
	Q152004000	TORNIL. APLASTADO M5X13 A 304	FLAT HEADED SCREW M5x13 A 30	5	5	5						
12	Z213014000	LIMITADOR TECASA P.	LIMITER TECASA P.	1	1	1						
	Q151320000	TORN. ALOMADO M4X6 H.ZINCADO	HEXAGONAL CURVED HEAD M4X	2	2	2						
S/Nº	Z203060000	AMARRE LIMITADOR TECASA	LIMITER FASTENING TECASA	1	1	1						
	Q221341000	REMACHE EXAGONAL M4	HEXAGONAL RIVET M4	2	2	2						
	Q012021000	TORNILLO EXAGONAL M4X10	HEXAGONAL BOLT M4X10	2	2	2						

MOD.	MARMITAS GAMA 900 / PAN 900 RANGE		ZONA	CONJUNTO FUNCIONAL / FUNCTIONAL UNIT			PLANO	C-2267			
ITEM	CODIGO	DENOMINACION	TEXTO	ME9-10 BM	ME9-15 BM	ME9-15 BM 316					NOTAS
13	R143000000	RESISTENCIA 3000WX3	RESISTOR 3000WX3	2	2	2					ELIMINADO 03,01,11
13	T323038000	RESISTENCIA 3000WX3 230V	RESISTOR 3000WX3 230V	2	2	2					INTRODUCIDO 03,01,11
	Q163140000	TUERCA EXAGONAL M6 LATON	HEXAGONAL NUT M6 BRASS	12	12	12					
S/Nº	R145012000	JUNTA CIERRE RESISTENCIAS	RESISTOR CLOSING SEAL	2	2	2					ELIMINADO 03,01,11
S/Nº	T323007000	JUNTA CIERRE RESISTENCIAS	RESISTOR CLOSING SEAL	2	2	2					INTRODUCIDO 03,01,11
14	Z701135000	ELECTROVALVULA SIMP. 220V	SIMPLE SOLENOID VALVE 220V	1	1	1					
15	P255001000	ELECTROVALVULA DOBLE	DOUBLE SOLENOID VALVE	1	1	1					
	S222645000	PROT. ELECTROVALVULA M900	SOLENOID PROTECTION M900	1	1	1					INTRODUCIDO 01.12.09
	S222646000	TAPA PROTEC. ELECTR. M900	PROT. COVER SOLENOID M900	1	1	1					INTRODUCIDO 01.12.09
	Z601156000	REGULADOR 8L RO. 254.034	REGULATOR 8L RED 254.034	2	2	2					ELIMINADO 11,09,11
	Z601156000	REGULADOR 8L RO. 254.034	REGULATOR 8L RED 254.034	1	1	1					INTRODUCIDO 12,09,11
	Q032021000	TORNILLO ALOMADO M4X10	CURVED SCREW M4X10	4	4	4					
16	S093000000	PRESOSTATO	PRESSURE SWITCH	1	1	1					

N plano	C-2267a
Firma	
Fecha	2009-03
Aparato	MARMITA ME9-10 BM S / 15 BM S
CONJUNTO FUNCIONAL	
Lamina	4
Fagor Industrial S. Coop.	

ITEM MARCADO EN COLOR = REPUESTO RECOMENDADO  
 COLOURED ITEM = RECOMMENDED SPARE PART



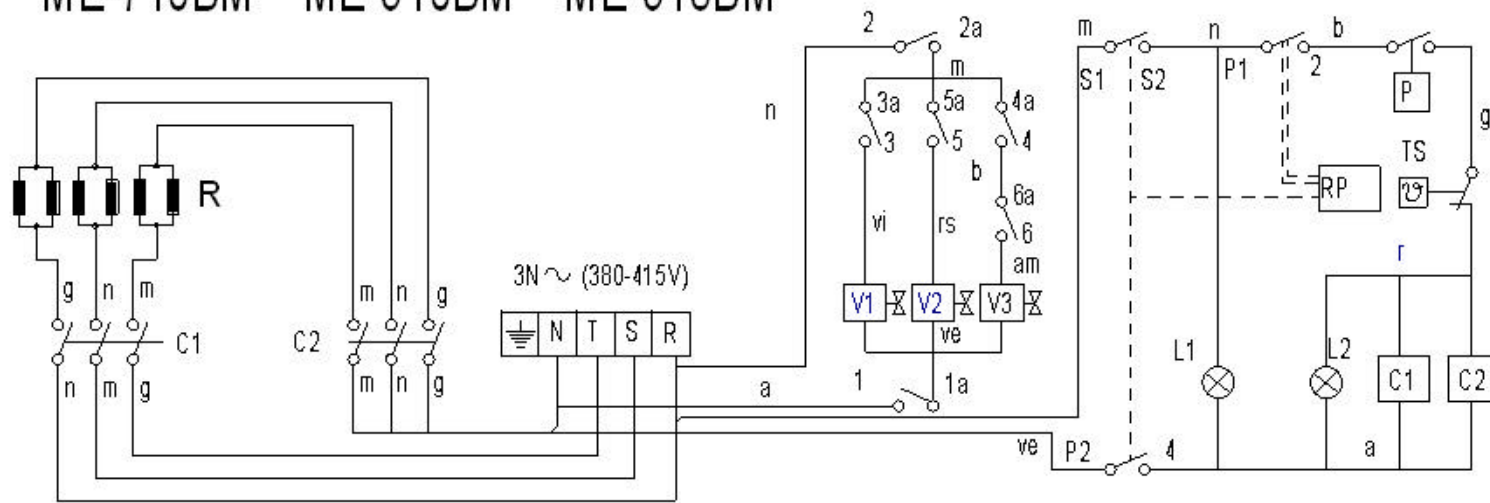
MOD.		MARMITAS GAMA 900 / PAN 900 RANGE		ZONA		CONJUNTO FUNCIONAL / FUNCTIONAL UNIT				PLANO		C-2267a	
ITEM	CODIGO	DENOMINACION	TEXTO	ME9-10 BM S	ME9-15 BM S							NOTAS	
1	S162612000	CAJA PROTEC REGUL ENERGIA	ENERGY CTRL PROTEC BOX	1	1								
	Q221342000	REMACHE EXAGONAL M5	HEXAGONAL RIVET M5	4	4								
2	S333001000	REGULADOR DE ENERGIA	ENERGY REGULATOR	1	1								
	Q151320000	TORN. ALOMADO M4X6 H.ZINCADO	HEXAGONAL CURVED HEAD M4X	2	2								
3	S162613000	TAPA INF. CAJA PROTECC. REG	CTRL. PROTECT. BOX LOWER CC	1	1								
	Q152004000	TORNILLO APLAST. M5x13 A304	MUSHROOM HEAD BOLT M5x13 A	4	4								
4	S162102000	BOTON DE MANDO MARMITA ME9-	PAN CONTROL BUTTON ME9-	1	1								
5	R693056000	PILOTO AMBAR 41227000A4	AMBER PILOT 41227000A4	1	1								
S/Nº	R693055000	PILOTO VERDE 41227000C7	GREEN PILOT 41227000C7	1	1								
6	R693004000	CONMUTADOR DE FUNCIONES	FUNCTIONS SWITCH	1	1								
	Q042022000	TORNILLO AVELLANADO M4X15	COUNTERSUNK BOLT M4x15	2	2								
7	S142107000	MANDO AGUA MARMITA BM	WATER PAN CONTROL BM	1	1								
8	X183011000	CONTACTOR 3RT1024-1AN20 230	CONTACTOR 3RT1024-1AN20 230	2	2								
S/Nº	Z103084000	GUIA CONTACTOR L-138 "	CONTACTOR GUIDE L-138 "	1	1								
	Q419005000	REMACHE 4X8 ALMG3 / ALUMINIO	RIVET 4X8 ALMG3 / ALUMINIUM	2	2								
9	Z683069000	BORNES 16	TERMINALS 16	3	3								
	Z683097000	BORNA PASO WDU16 10204.8	STEP TERMINAL WDU16 10204.8	1	1								
	Z683070000	BORNA A TIERRA WEIDMULLER	TERMINAL TO EARTH WEIDMULL	1	1								
	Z683096000	TOPE FINAL WEW35 10590.0	END STOP WEW35 10590.0	1	1								
	Z683068000	SEÑALIZ.DEK-6WEIDMULLER	SIGNS DEK-6WEIDMULLER	1	1								
S/Nº	Z103084000	GUIA CONTACTOR L-138 "	CONTACTOR GUIDE L-138 "	1	1								
	Q419005000	REMACHE 4X8 ALMG3 / ALUMINIO	RIVET 4X8 ALMG3 / ALUMINIUM	2	2								
10	S093014000	TAPA CAJA ELECTRICA G9-00	ELECTRIC BOX COVER G9-00	1	1								
11	S092606000	CAJA ELECTRICA	ELECTRIC BOX	1	1								
	Q221342000	REMACHE EXAGONAL M5	HEXAGONAL RIVET M5	3	3								
	Q152004000	TORNIL. APLASTADO M5X13 A 304	FLAT HEADED SCREW M5x13 A 304	5	5								
12	Z213014000	LIMITADOR TECASA P.	LIMITER TECASA P.	1	1								
	Q151320000	TORN. ALOMADO M4X6 H.ZINCADO	HEXAGONAL CURVED HEAD M4X	2	2								
S/Nº	Z203060000	AMARRE LIMITADOR TECASA	LIMITER FASTENING TECASA	1	1								
	Q221341000	REMACHE EXAGONAL M4	HEXAGONAL RIVET M4	2	2								
	Q012021000	TORNILLO EXAGONAL M4X10	HEXAGONAL BOLT M4X10	2	2								

<b>MOD.</b>	<b>MARMITAS GAMA 900 / PAN 900 RANGE</b>	<b>ZONA</b>	<b>CONJUNTO FUNCIONAL / FUNCTIONAL UNIT</b>	<b>PLANO</b>	<b>C-2267a</b>
-------------	--	-------------	---	--------------	----------------

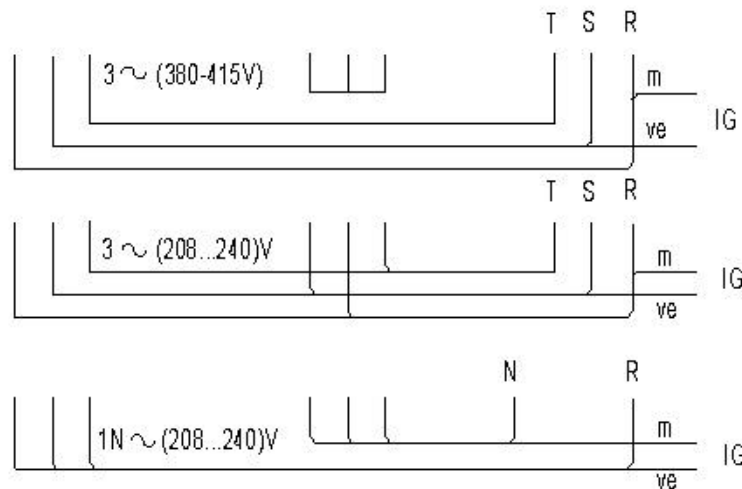
<b>ITEM</b>	<b>CODIGO</b>	<b>DENOMINACION</b>	<b>TEXTO</b>	<b>ME9-10 BM S</b>	<b>ME9-15 BM S</b>							<b>NOTAS</b>
13	R143000000	RESISTENCIA 3000WX3	RESISTOR 3000WX3	2	2							ELIMINADO 03,01,11
13	T323038000	RESISTENCIA 3000WX3 230V	RESISTOR 3000WX3 230V	2	2							INTRODUCIDO 03,01,11
	Q163140000	TUERCA EXAGONAL M6 LATON	HEXAGONAL NUT M6 BRASS	12	12							
S/Nº	R145012000	JUNTA CIERRE RESISTENCIAS	RESISTOR CLOSING SEAL	2	2							ELIMINADO 03,01,11
S/Nº	T323007000	JUNTA CIERRE RESISTENCIAS	RESISTOR CLOSING SEAL	2	2							INTRODUCIDO 03,01,11
14	Z701135000	ELECTROVALVULA SIMP. 220V	SIMPLE SOLENOID VALVE 220V	1	1							
15	12041558	CONDUCCION AGUA CALIENTE	HOT WATER PIPE	1	1							INTRODUCIDO 23,11,11
16	12041556	CONDUCCION AGUA FRIA	COLD WATER PIPE	1	1							INTRODUCIDO 23,11,11
S/Nº	12010191	JUNTA TUBO 14X24X3	SEAL PIPE 14X24X3	2	2							INTRODUCIDO 02,04,12
17	P255001000	ELECTROVALVULA DOBLE	DOUBLE SOLENOID VALVE	1	1							
	S222645000	PROT. ELECTROVALVULA M900	SOLENOID PROTECTION M900	1	1							INTRODUCIDO 01.12.09
	S222646000	TAPA PROTEC. ELECTR. M900	PROT. COVER SOLENOID M900	1	1							INTRODUCIDO 01.12.09
	Z601156000	REGULADOR 8L RO. 254.034	REGULATOR 8L RED 254.034	2	2							ELIMINADO 11,09,11
	Z601156000	REGULADOR 8L RO. 254.034	REGULATOR 8L RED 254.034	1	1							INTRODUCIDO 12,09,11
	Q032021000	TORNILLO ALOMADO M4X10	CURVED SCREW M4X10	4	4							
18	S093000000	PRESOSTATO	PRESSURE SWITCH	1	1							

MOD.		MARMITAS GAMA 900 / PAN 900 RANGE		ZONA		VARIOS / VARIOUS					PLANO		
ITEM	CODIGO	DENOMINACION	TEXTO	ME9-10 BM	ME9-10 BM S	ME9-15 BM	ME9-15 BM S	ME9-15 BM 316				NOTAS	
	S236501000	FOLLETO DE INSTRUCCIONES ME	INSTRUCTION LEAFLET ME	1	1	1	1	1					
	S333003000	ESQUEMA TEORICO ADHESIVO	THEOR. DIAGRAM LABEL	1	1	1	1	1				PLANO HC-72844	
	S333002000	PLANO DE MONTAJE	ASSEMBLY PLAN	1	1	1	1	1				PLANO HC-72843	
	S093002000	CABLEADO PORTAMANDOS	CONTROL HOLDER WIRING	1	1	1	1	1					
	X183008000	CABLEAD. REGLETA CONTACTOR	WIRING CONTACTOR STRIP	2	2	2	2	2					
	S163002000	CABLE. RESISTENCIAS ME9-10BM	WIRING RESISTORS ME9-10BM	1	1	1	1	1				ELIMINADO 13,02,12	
	12043508	CABLEADO ME 910 BM AD	WIRING ME 910 BM AD	1	1	1	1	1				INTRODUCIDO 13,02,12	
	S163001000	CABL. ELECTROVALVUL ME9-10BM	SOLENOID VALVE CABLE ME9-10	1	-	1	-	1				ELIMINADO 13,02,12	
	12041380	CABLEADO ENTRADA AGUA	WIRING IN WATER	1	-	1	-	1				INTRODUCIDO 13,02,12	
	S233001000	INSTALACION ELE ELECT.ME900-S	ELEC INSTALLATION ME900-S	-	1	-	1	-				ELIMINADO 13,02,12	
	S333000000	CABLEADO CONTACTOR RESIST.	RESIST. CONTACTOR WIRING	1	1	1	1	1				ELIMINADO 13,02,12	
	12009255	CABLE. RESISTENCIAS-ME9-10BM	WIRING RESISTORS ME9-10BM	1	1	1	1	1				INTRODUCIDO 13,02,12	
	12046142	CABLEADO TENSOR PORTAMAND.	TENSIONER PORTAMA. WIRING	1	1	1	1	1				INTRODUCIDO 01,10,12	
	12002158	LEYENDA	LEGEND	1	1	1	1	1				INTRODUCIDO 13,02,12	

# ME-710BM ME-910BM ME-915BM



- IG: Interruptor general
- C1, C2: Contactor de calentamiento
- L1: Lám para funcionamiento
- L2: Lám para calentamiento
- P: Presostato 0,3 bares
- R: Resistencias
- RP: Regulador de energía
- TS: Termostato Seguridad (125°)
- V1: Válvula Agua Caliente
- V2: Válvula Agua Fria
- V3: Válvula Agua Cámara



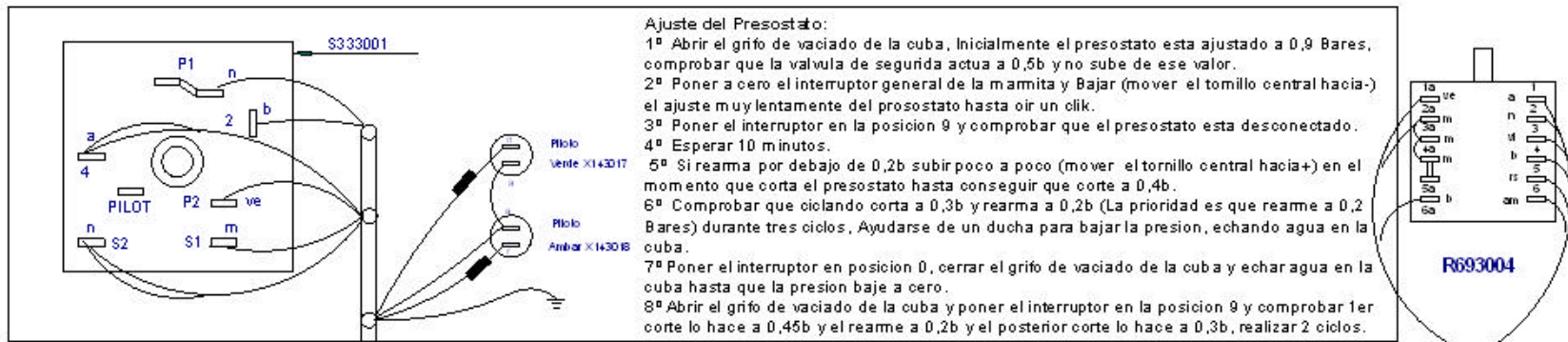
POSICION	%	±2%	P1 - 2		P2 - 4	S1 - S2
			TON	TON+TOF		
0	0	0	0	∞		
52°	6%	3"	45"	X	X	
84°	10%	4"	38"	X	X	
116°	15%	5"	32"	X	X	
148°	25%	7"	29"	X	X	
180°	30%	9"	30"	X	X	
212°	40%	13"	32"	X	X	
244°	55%	21"	37"	X	X	
276°	75%	45"	60"	X	X	
308°	100%	∞	∞	X	X	

- ve = verde-green-vert
- r = rojo-red-rouge
- m = marron-brown-marron
- g = gris-grey-gris
- n = negro-black-noir
- a = azul-blue-bleu
- b = blanco-white-blanc
- vi = violeta-violette-violet
- am/ve = amarillo/verde
- yellow/green-june/vert

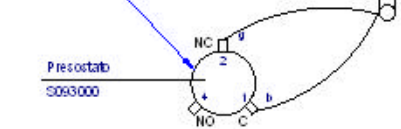
S333003000

Esquema teórico ME-710BM, ME-910BM		S333003000	
N°	Pieza	Material	N° Clasificación
N°	Modificación	Proyectado de	Fecha
1	Introducción de la Tabla del Regulador de Energía	M. Mailló	09-05-2003
		Tolerancias generales	
		< 5%	60-100%
		5-25%	> 100%
		25-50%	< 5%
		Mecanizado aope rtrial	
Dibujado		FINA	Fecha
Proyectado		KONTX1	31-05-1997
Comprobado		M. Mailló	31-05-1997
Escala		FAGOR	
		Fagor Industrial/Coop.ER. Migata	
		MARMITA ELECTRICA	
		Piso número HC-72844 -1	
		Sección al N°	
		Sección de por	



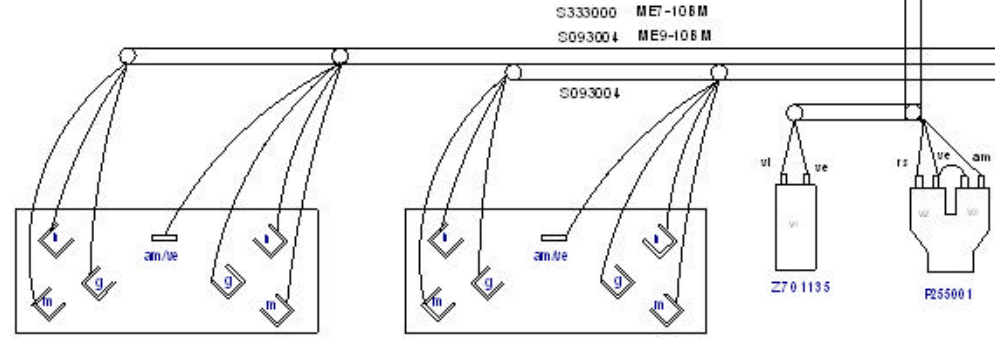


**¡OJO MUY IMPORTANTE!**  
 Apretar con la mano de forma muy suave y luego apretar con la llave.

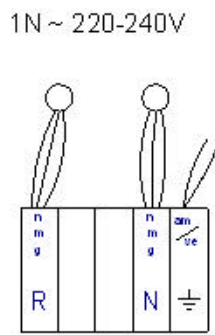
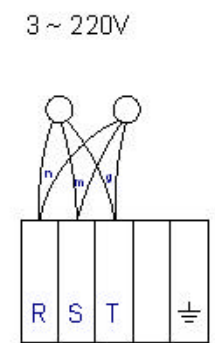
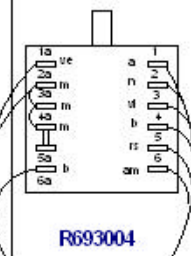


**Esquema de bobinas**

S583001	ME7-106 M
S333000	ME9-xx 6M
S333000	MP9-xx 6M



ME9-106M Z21701 9,6 kW 230V  
 ME7-106 M R143000 9KW 230V



3 ~ 380-440V **SIN NEUTRO**

■ U60307.2 R: 150k W 1/4W

Cambiar regulador de energia S333001 por HD63011  
 ME9-10 BM: Cambiar Contactor X183011 por X183067  
 ME7-108M: Cambiar Contactor Z203050 por HD63010  
 Cambiar cable verde de 2C2 a 4C1

Plano de montaje 380-415V			S-333002		
Nº	Pieza	Cart.	Material	Nº Clasificación	Acabado
Nº	Modificación		Proyectado de	Fecha	To Errores de revisión
1	De R143000 a Z217101 en ME710		Plazaola	9-2-99	
De S333000a S333000/de Z891751a Z217101					
2	Introducir Versión 400V sin Neutro		M.Mallo	28-09-2006	<3± : 60-100± : 5-25± : >100± 25-50± : <0±
3	CAMBIAR DE RESISTENCIAS		M.Mallo	08-05-2007	
4	Placa de gine raita e ta e lektrobabak kartita		e. carascal	2008-03-06	
Dibujado		Firma	Fecha	Mecanizado a pedido	
Proyectado		HONTXI	19/6/97		
Comprobado		FAGOR			
Ejecutado		Fagor Industrial/Coop. Ek. Migorta			
<b>MARMITAK</b>				Plano de montaje	
				HC-72843-04	
				Sustituye al Nº	
Plano de montaje de la marmita y el calentador				Sustituido por	

Simb/LENG		ESPAÑOL	ENGLISH	FRANÇAIS	DEUTSCH	ITALIANO
C1, C2	=	Contactador Calentamiento	Contacteur Chauffe	Heating Contactor	Heizschütz	Contatore Riscaldamento
CN	=	Control de Nivel de agua	Control of water Level	Commande de niveau d'eau	Steuerung des Wasserspiegels	Controllo del livello d'acqua
E	=	Generador de Chispa	Spark generator	Générateur d'étincelle	Funkengenerator	Generatore della scintilla
IB	=	Micro tope bajada	Microswitch of lowered Limit	Microcontact de la limite abaissée	Mikroschalter der gesenkten Begrenzung	Microinterruttore del limite abbassato
IG	=	Interruptor general	General switch	Commutateur général	Allgemeiner Schalter	Interruttore generale
IGV	=	Interruptor electrovalvulas de agua	Switch electrovalvula water	Commutez l'eau d'electrovalvula	Schalten Sie electrovalvula Wasser	Commuti l'acqua di electrovalvula
IE	=	Pulsador de Encendido	Ignition Switch	Commutateur d'allumage	Zündung-Schalter	Interruttore di accensione
IMB	=	Pulsador bajada	lowered switch	commutateur abaissé	gesenkter Schalter	interruttore abbassato
IMS	=	Pulsador subida	Raised switch	Commutateur augmenté	Angehobener Schalter	Interruttore sollevato
IP	=	Micro seguridad	security microswitch	microcontact de sécurité	Sicherheitsmikroschalter	microinterruttore di sicurezza
IS	=	Micro tope subida	Microswitch of rise Limit	Microcontact de la limite d'élévation	Mikroschalter der Aufstieg Begrenzung	Microinterruttore del limite di aumento
L1	=	Lámpara marcha	Operation Light	Lumière d'opération	Betriebs-Licht	Luce di funzionamento
L2	=	Lámpara calentamiento	Heating Light	Lumière de chauffage	Heizungs-Licht	Luce del riscaldamento
M	=	Motor de elevacion	Motor of elevation	Moteur d'altitude	Motor des Aufzugs	Motore dell'altezza
P	=	Presostato de Camara	Water Level Switch	Commutateur de niveau d'eau	Wasserspiegel-Schalter	Interruttore del livello d'acqua
PR	=	Puente rectificador	Electrical bridge rectifier	Pont redresseur électrique	Elektrischer Brückengleichrichter	Raddrizzatore a ponte elettrico
R	=	Resistencia Calentamiento.	Résistance Chauffe	Heating Resistors	Widerstand Aufheizung	Resistenza Riscaldamento
RE	=	Regulador Energia	Regulator of Energy	Régulateur d'énergie	Regler von Energie	Regolatore di energia
T	=	Termostato	Thermostat	Thermostat	Thermostat	Termostato
TRF	=	Transformador	Transformer	Transformateur	Transformator	Trasformatore
TS	=	Termostato de seguridad	Security Thermostat	Thermostat de sécurité	Sicherheits-Thermostat	Termostato di sicurezza
TRP	=	Termopar	Thermocouple	Thermocouple	Thermoelement	Termocoppia
VG1, VG2	=	ElectroVálvula gas	Electrical gas valve	Clapet à gaz électrique	Elektrisches Gichtventil	Valvola a gas elettrica
V1	=	Valvula Agua CALIENTE	ElectroValve of Hot Water	Électrovalve d'eau chaude	Elektroventil des Heißwassers	Elettrovalvola di acqua calda
V2	=	Valvula Agua FRIA	ElectroValve of cold Water	Électrovalve d'eau froide	Elektroventil des kalten Wassers	Elettrovalvola di acqua fredda
V3	=	Valvula Agua Caldera	electrovalve of water boiler	électrovalve de chauffe-eau	Elektroventil des Warmwasserboilers	elettrovalvola del reattore ad acqua
	=	<b>COLORES</b>	<b>COLOUR</b>	<b>COULEURS</b>	<b>FARBEN</b>	<b>COLORE</b>
a	=	Azul	Blue	Bleu	Blau	Blu
am	=	Amarillo	Yellow	Jaune	Gelb	Giallo
am/ve	=	Amarillo/verde	Yellow / green	Jaune / vert	Gelb/grün	Giallo/verde
b	=	Blanco	White	Blanc	Weiß	Bianco
g	=	Gris	Grey	Gris	Grau	Grigio
m	=	Marrón	Brown	Marron	Braun	Marrone
n	=	Negro	Black	Noir	Schwarz	Nero
na	=	Naranja	Orange	Orange	Orange	Arancio
r	=	Rojo	Red	Rouge	Rot	Rosso
rs	=	Rosa	Pink	Rose	Rosa	Roseo
ve	=	Verde	Green	Vert	Grün	Verde
vi	=	Violeta	Purple	Violet	Violett	Viola

**X463007000**