

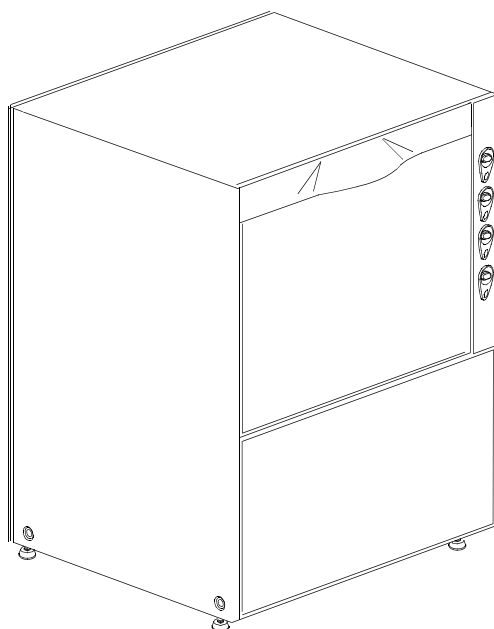
DISHWASHER

ELECTROMECHANICAL SWITCHES
LOWER AND UPPER WASHING

TYPE: 6U

Accessories
BREAK TANK
BOOSTER PUMP
DVGW
COLD RINSE
WATER SOFTNER
DETERGENT DISPENSER
DRAIN PUMP

Spare parts manual



1. Spare parts

General body parts.....	7
Lockup system	9
Control panel	11
Control electric components.....	13
Solenoid valve group	15
Solenoid valve group	17
Solenoid valve group	19
Break Tank	21
Booster pump.....	23
DVGW	25
Water softner group.....	27
Shining product dosing device group .	29
Shining product dosing device group .	31
Boiler group	33
3 ways derivation.....	35
4 ways derivation.....	37

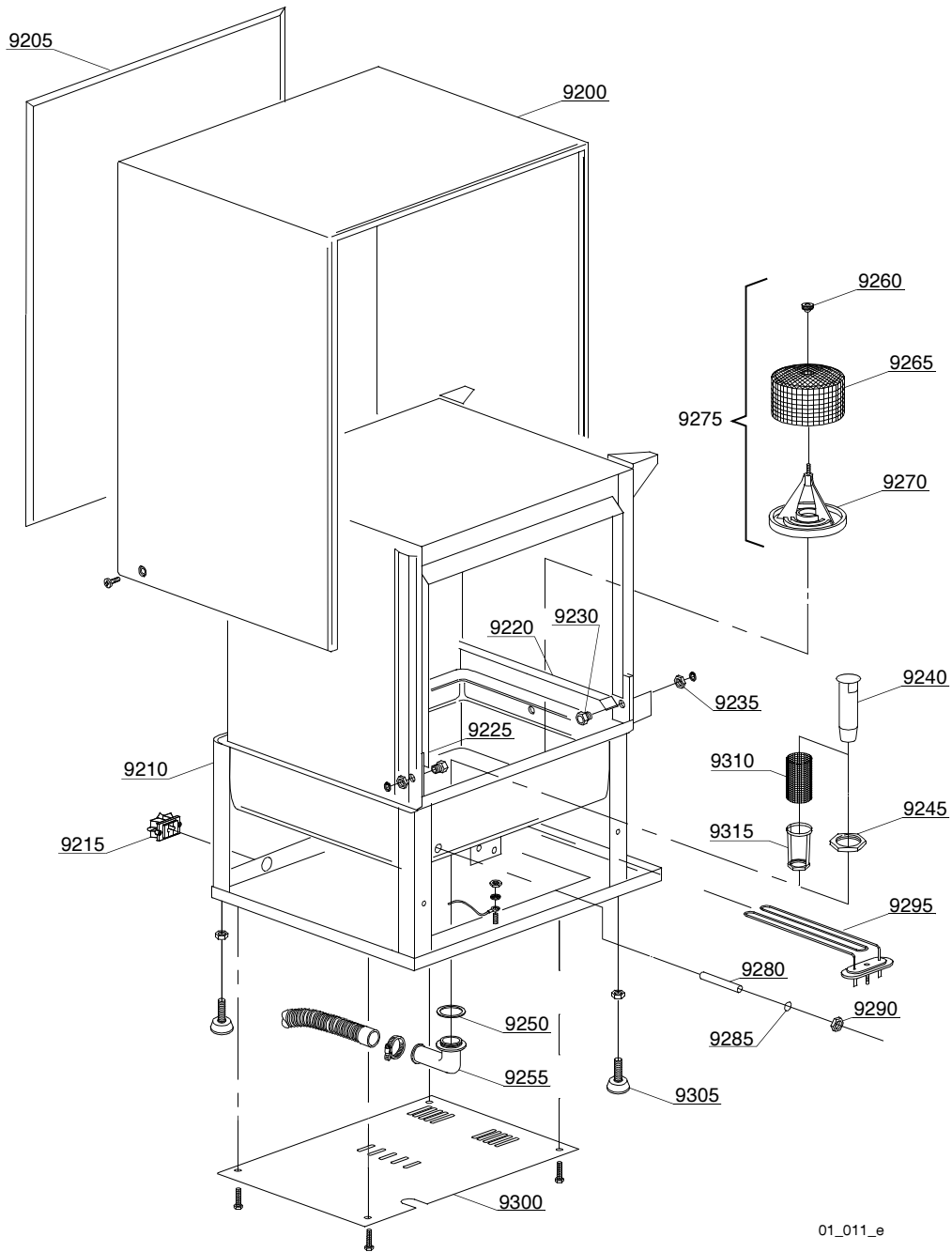
Wash pump	39
Wash pump	41
Dosing device group	43
Drain pump group.....	45
Pressure switch group with air trap ...	47
Turret group with rotating arms	49
Turret group with rotating arms	51

1.1 Voltage codes

Voltage code	Voltage
A	3/N/PE~400/230V 50Hz
B	~250V 16A 50Hz
C	3/N/PE~380/220V 50Hz
D	3/PE~200V 50-60Hz
F	2/PE 220-240V 50Hz
G	3/N/PE~415/240V 50Hz
H	3/PE~230V 50Hz
I	3/PE~220V 60Hz
J	3/PE~380 50Hz
K	3/PE~400V 50Hz
L	3/PE~415V 50Hz
M	3/PE~440V 60Hz
N	3/PE~460V 60Hz
O	3/PE~480V 60Hz
P	1/N/PE~220-240V 50Hz
R	2/PE~220-230V 60Hz
S	3/N/PE~400/230V 50Hz
T	3/PE~230V 60Hz

1.2 Product codes

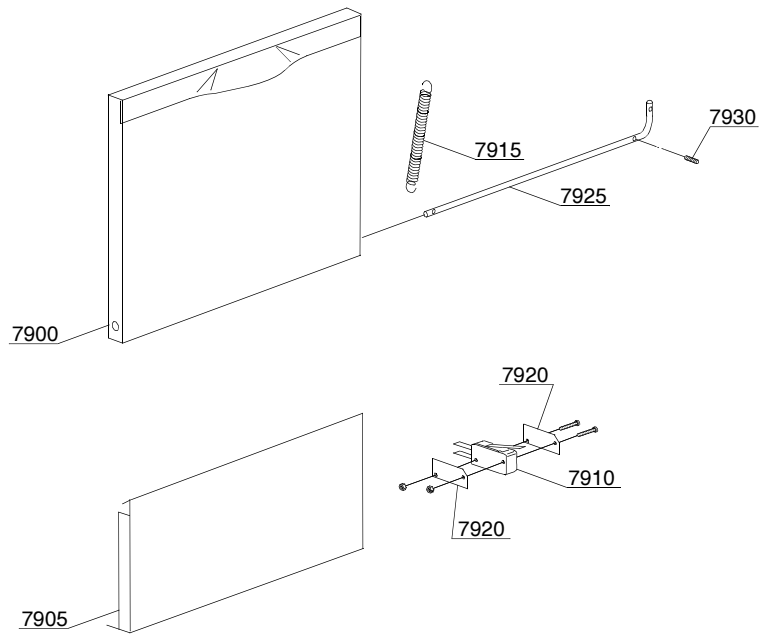
Product code	Full name
Model codes	
em	ELECTROMECHANICAL SWITCHES
ls	LOWER AND UPPER WASHING
Type codes	
6U	6U
Accessory codes	
bt	BREAK TANK
pap	BOOSTER PUMP
dvgw	DVGW
fs	COLD RINSE
d	WATER SOFTNER
dde	DETERGENT DISPENSER
ps	DRAIN PUMP



01_011_e

Spare parts

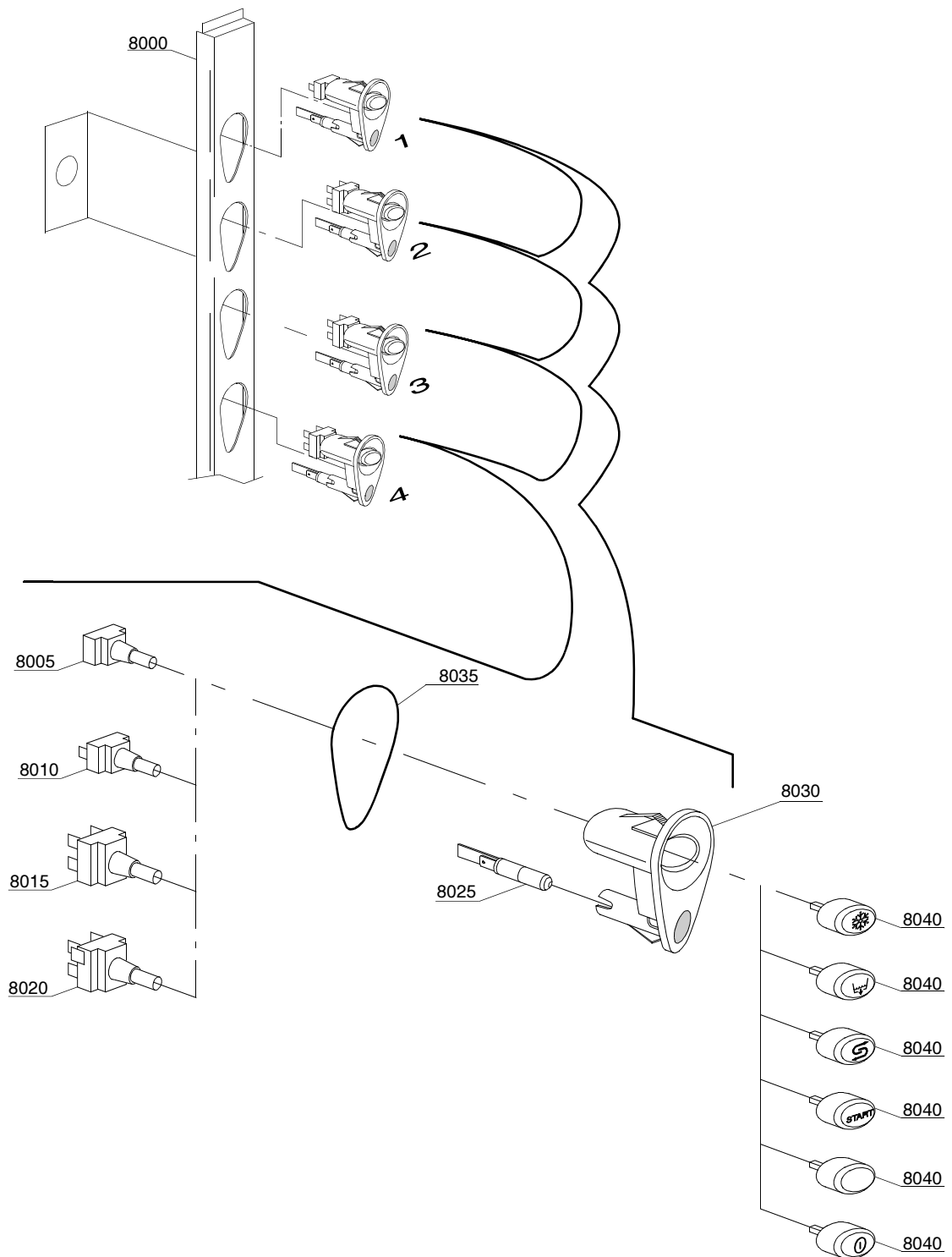
ID	P-code	Model	Type	Accessory	Voltage	Description
MODULE:General body parts						
9200	16007		6U			Cover
9205	16010		6U			Back panel
9205	16011		6U			Back panel
9210	16982		6U			Body
9210	16981		6U	ws		Body
9215	15065/A		6U			Cable-fastener with screw
9220	16914		6U			Right internal slide
9225	16914/A		6U			Left internal slide
9230	11835		6U			Brass bush with nut
9235	11815		6U			O8 stainless steel snap ring
9240	16052		6U			Overflow pipe
9245	11701/A		6U			Stainless steel nut
9250	13305		6U			44x32x3 drain elbow gasket
9255	10701		6U			Drain elbow
9260	11713		6U			Nut for filter fixing
9265	16050		6U			Stainless steel net filter
9270	16051		6U			Filter bottom O30 hole
9270	16051/A		6U			Filter bottom O50 hole
9275	16906		6U			O30 suction filter
9275	16906/A		6U			O50 suction filter
9280	12510		6U			Thermostat feeler-holder
9285	13309		6U			10x14x1,5 gasket
9290	11714		6U			M10x1 stainless steel nut for thermostat feeler-holder
9295	16035/A		6U			1850W heating element
9300	16086		6U			Bottom protection
9305	10786		6U			M10x25 O40 black foot
9310	440751		6U	dp		Drain pump stainless steel filter
9315	11701/B		6U	dp		Stainless steel nut



02_107_e

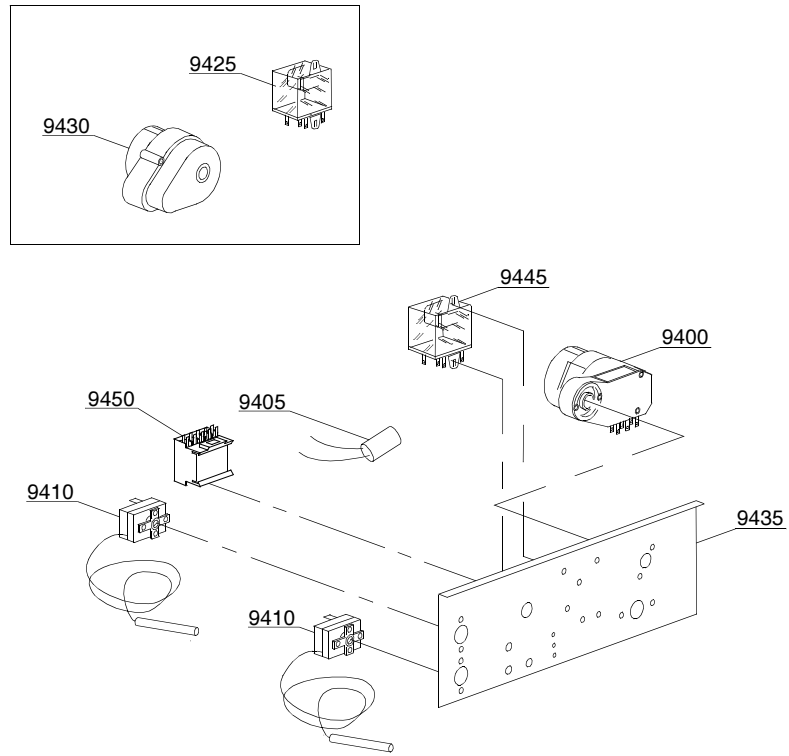
Spare parts

ID	P-code	Model	Type	Accessory	Voltage	Description
MODULE:Lockup system						
7900	16972		6U			Door with steel handle
7905	16016		6U			Lower door
7910	10704		6U			Door microswitch
7915	10700/B		6U			Door spring
7920	10770		6U			Insulating for door microswitch
7925	16046		6U			Door rod
7930	11170		6U			M5x25 grub-screw



03_015_e

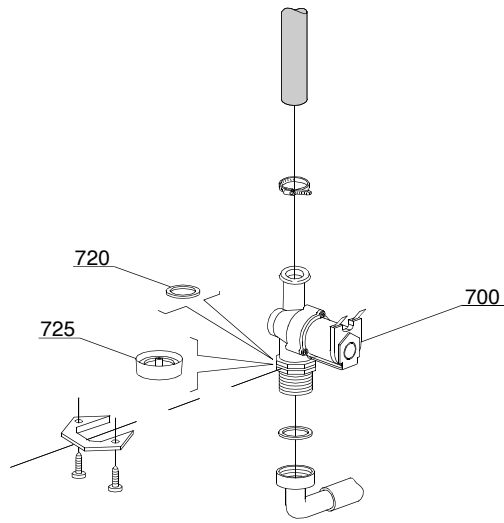
ID	P-code	Model	Type	Accessory	Voltage	Description
MODULE:Control panel						
8000	16939		6U			Linear control panel
8005	15844		6U			Key support
8010	15813		6U			16A unipolar push button
8015	15800		6U			16A bipolar push button
8015	15812		6U			16A switch
8020	15811		6U			16A bipolar switch
8020	15811/A		6U			16A bipolar switch push button
8025	15826		6U			Pilot light
8030	89300		6U			Key support
8035	89332		6U			OR gasket
8040	89344		6U	cr		Hot/cold key
8040	89343		6U	dp		Drain pump key
8040	89341		6U			Start key
8040	89348		6U			Blind key
8040	89340		6U			ON-OFF key
8040	89345		6U	ws		Regeneration key



04_010_e

Spare parts

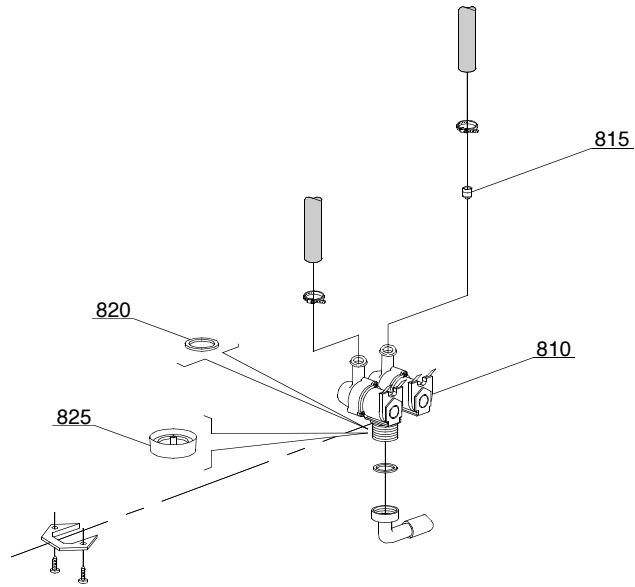
ID	P-code	Model	Type	Accessory	Voltage	Description
MODULE:Control electric components						
9400	10708/L		6U		A	120" timer
9400	10708/B		6U			120" timer - 220Vac 60Hz
9400	10708/T		6U			120" timer with thermostop
9405	15146		6U			Low noise filter
9410	10707/1		6U			0-90øC thermostat
9425	16047		6U	ws		16A bipolar relay
9430	16064/A		6U	ws		Regeneration timer
9435	16019/A		6U			Electric components panel
9445	15620		6U			Bipolar relay in deviation
9450	15086		6U			Remote control switch 230V 50/60Hz 4C (for boiler heat.elem.>3Kw)
9450	15086/B		6U			Remote control switch 230V 50/60Hz 4C (for boiler heat.elem.>3Kw)



05_002_e

Spare parts

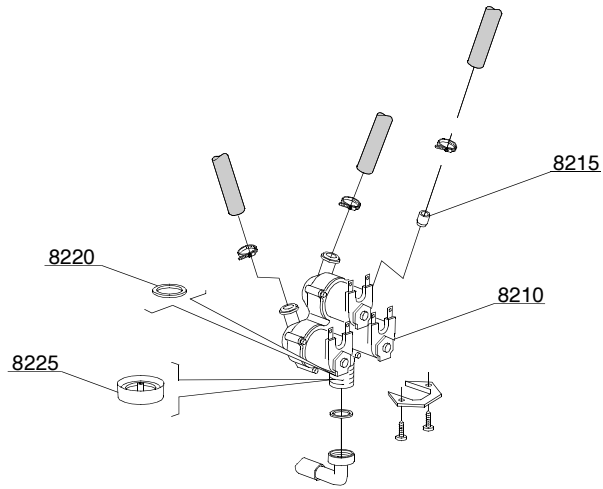
ID	P-code	Model	Type	Accessory	Voltage	Description
MODULE:Solenoid valve group						
700	10703		6U			Single solenoid valve
720	N.C.		6U			Pression reducing valve



05_003_e

Spare parts

ID	P-code	Model	Type	Accessory	Voltage	Description
MODULE:Solenoid valve group						
810	15098		6U	cr,ws		Double solenoid valve - O10
820	N.C.		6U	cr,ws		Pression reducing valve

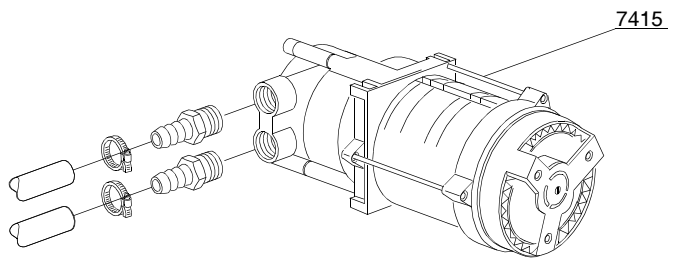
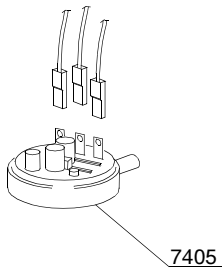
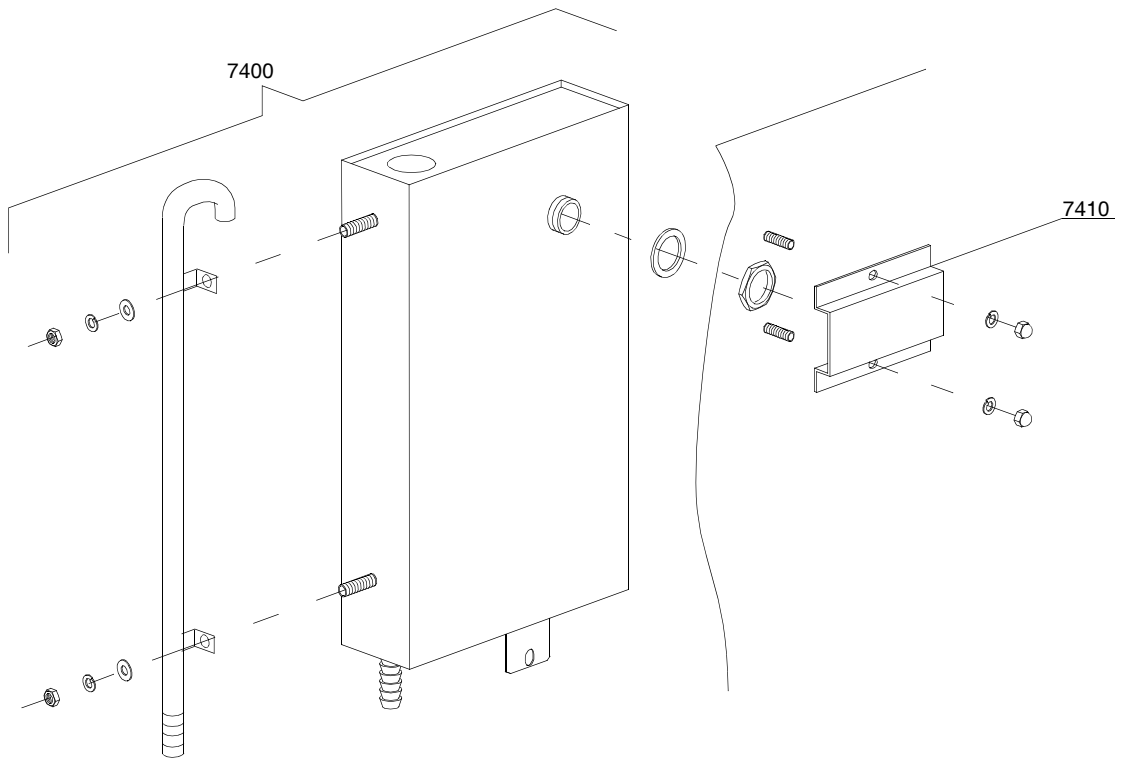


05_004_e

Spare parts

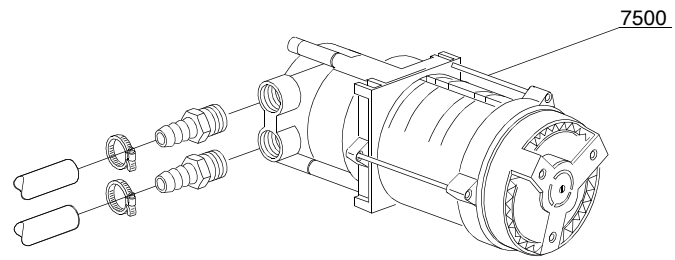
ID	P-code	Model	Type	Accessory	Voltage	Description
MODULE:Solenoid valve group						
8210	15099		6U	cr,ws		Triple solenoid valve
8215	15115		6U	cr,ws		Green pression solenoid valve

06_002_e



Spare parts

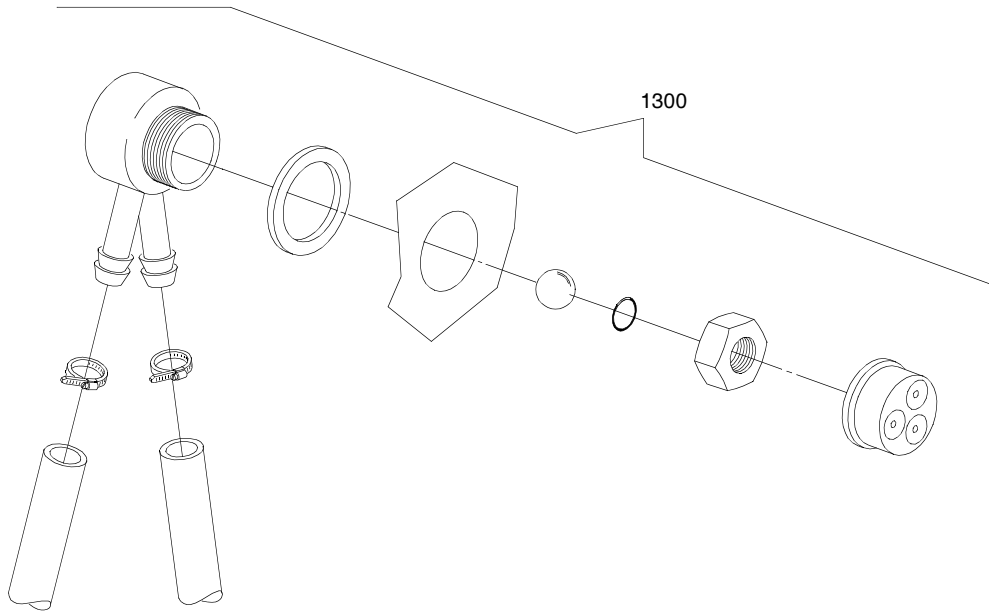
ID	P-code	Model	Type	Accessory	Voltage	Description
MODULE:Break Tank						
7400	15735		6U	bt		Break tank assembly
7405	10706/A		6U	bt		47-27 pressure switch
7410	15738		6U	bt		Hole protection
7415	15100/D		6U	bt		Booster pump



07_003_e

Spare parts

ID	P-code	Model	Type	Accessory	Voltage	Description
MODULE:Booster pump						
7500	15100/D		6U	bp		Booster pump

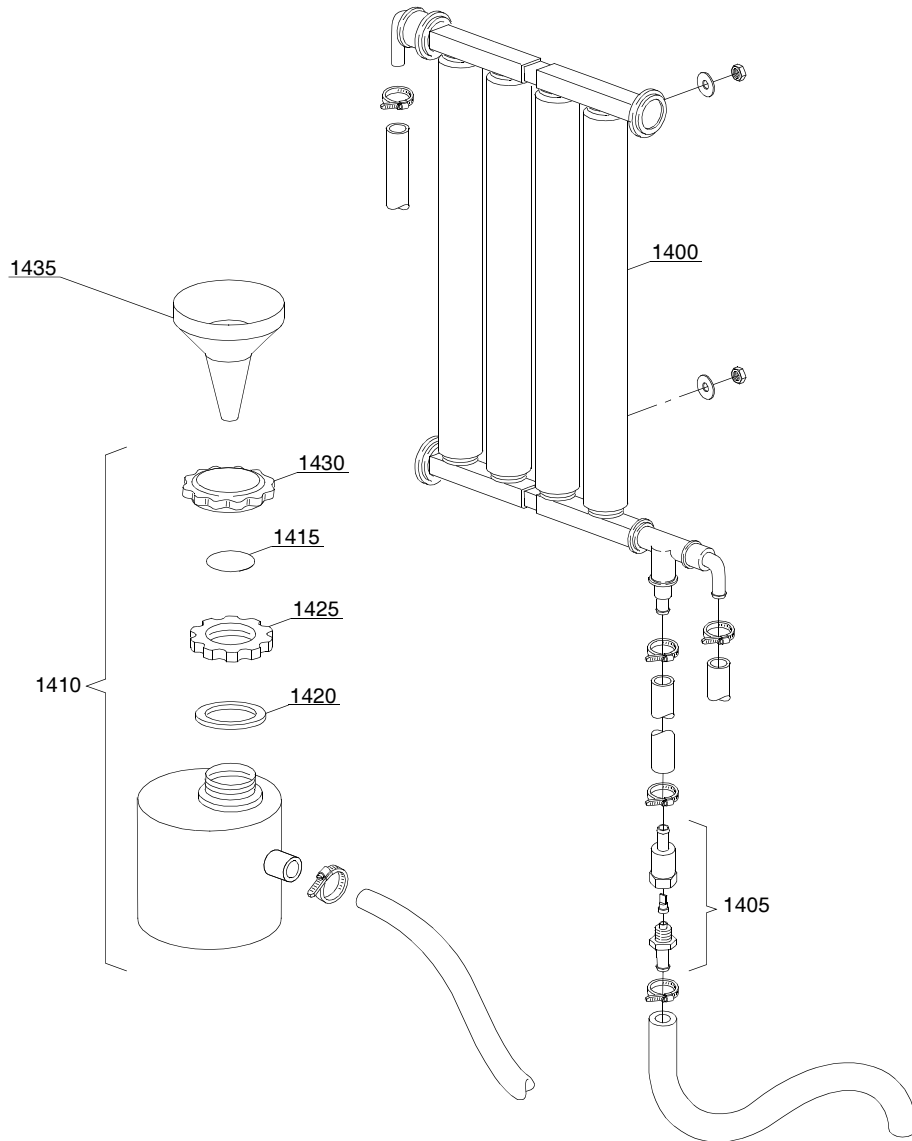


08_005_e

Spare parts

ID	P-code	Model	Type	Accessory	Voltage	Description
MODULE:DVGW						
1300	999900006		6U	dvgw		DVGW assembly

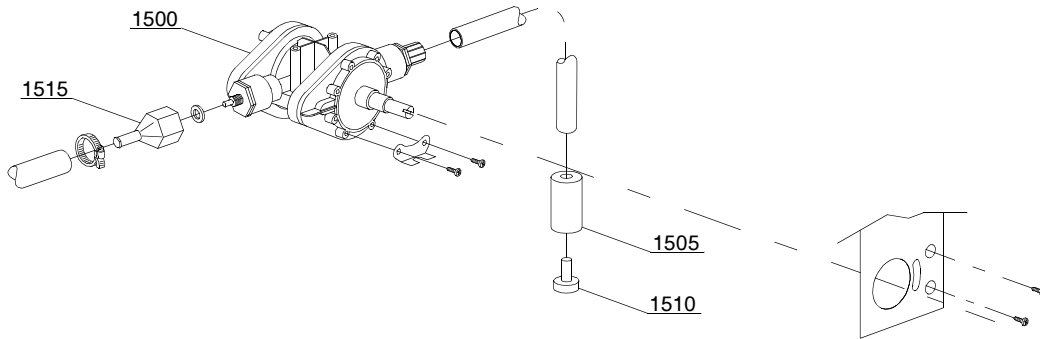
09_001_e



Spare parts

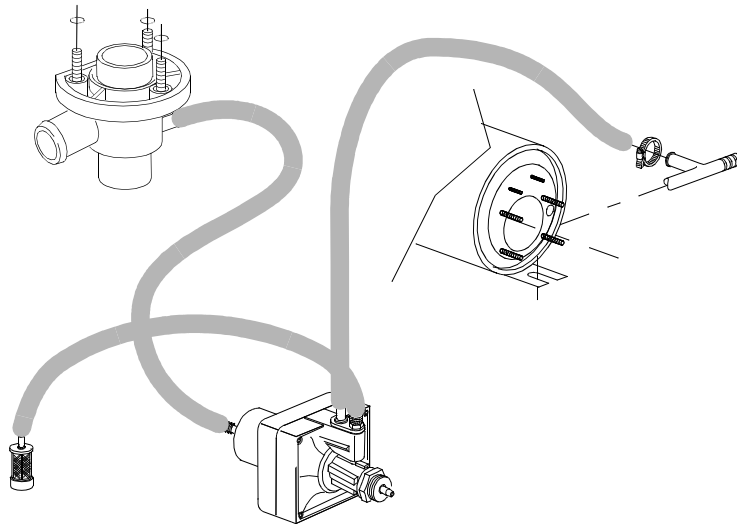
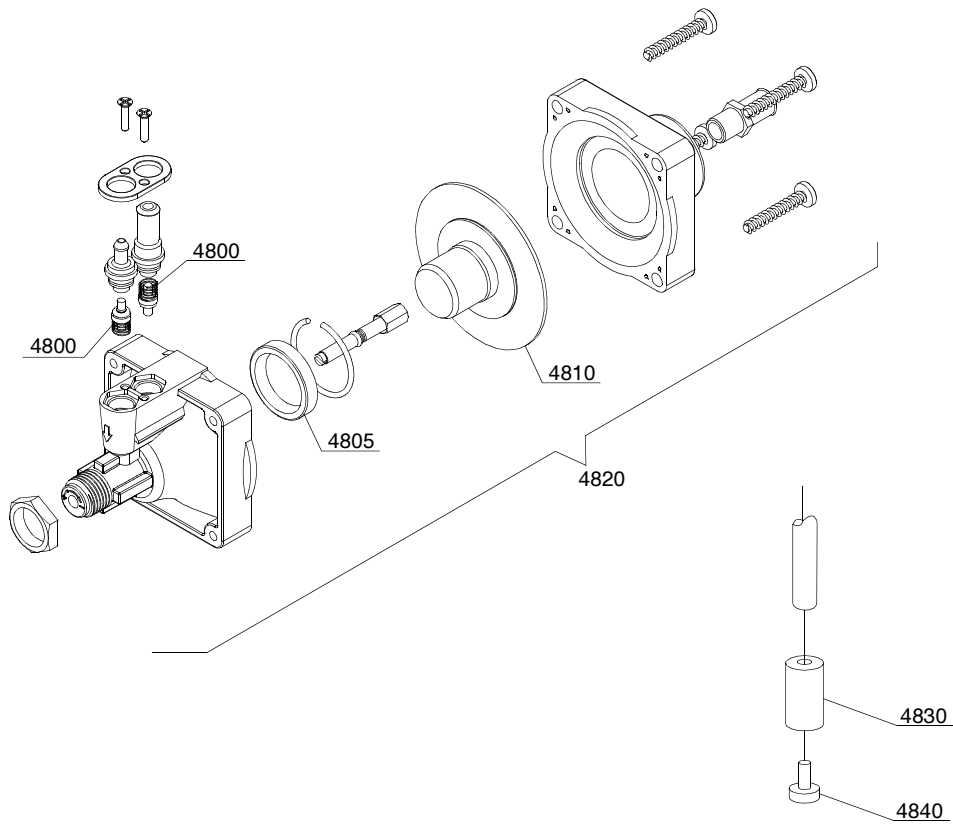
ID	P-code	Model	Type	Accessory	Voltage	Description
MODULE:Water softner group						
1400	16066		6U	ws		4 elements water softner
1405	16070		6U	ws		Nonreturn valve
1410	16065		6U	ws		Salt container
1415	16067/A		6U	ws		OR gasket
1420	16067/B		6U	ws		Gasket
1425	16067/C		6U	ws		Ring nut
1430	16067/D		6U	ws		Plug
1435	16082		6U	ws		Funnel

10_002_e



Spare parts

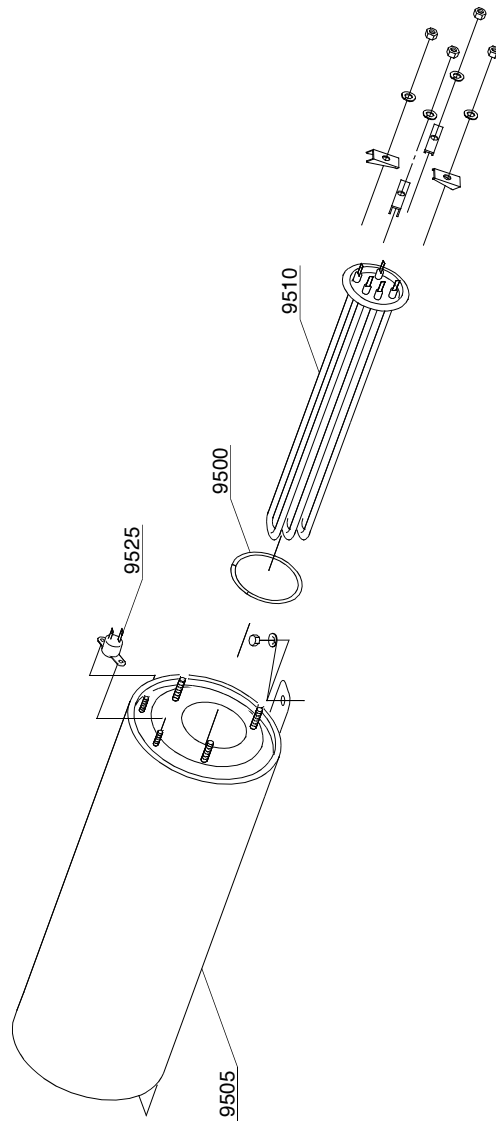
ID	P-code	Model	Type	Accessory	Voltage	Description
MODULE:Shining product dosing device group						
1500	10798		6U			Shining product dosing device
1505	12525		6U			Counter-weight
1510	15058		6U			Small filter
1515	10798/B		6U			Brass pipe fitting



10_004_e

Spare parts

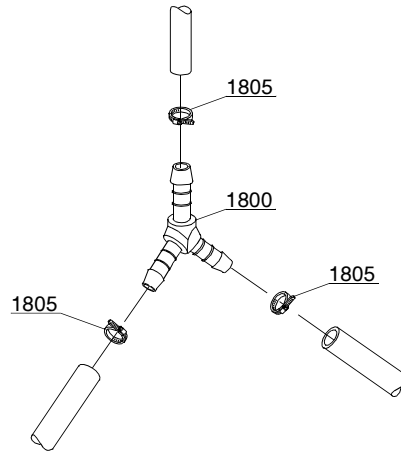
ID	P-code	Model	Type	Accessory	Voltage	Description
MODULE:Shining product dosing device group						
4800	10805		6U			Tecnopro dosing valve
4805	10806		6U			O22 gasket
4810	10807		6U			Membrane
4820	10799		6U			Shining product dosing device
4830	12525		6U			Counter-weight
4840	15058		6U			Small filter



11_006_e

Spare parts

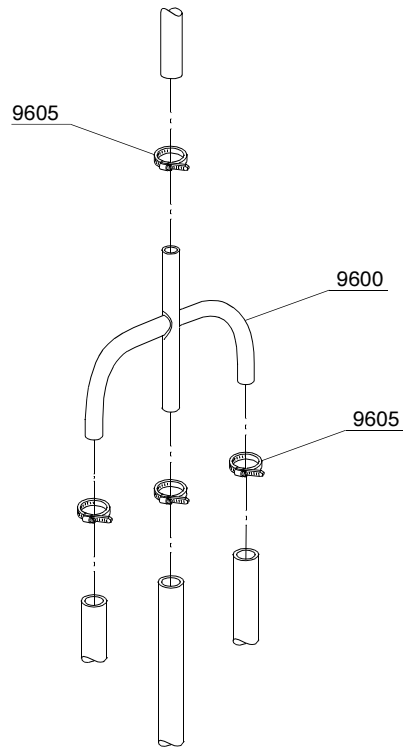
ID	P-code	Model	Type	Accessory	Voltage	Description
MODULE:Boiler group						
9500	13005		6U			OR 151 NBR gasket
9505	16904		6U			Boiler
9510	16036/A		6U			2,5KW heating element
9510	15046		6U			3KW heating element
9525	15550		6U			Safety thermostat



12_003_e

Spare parts

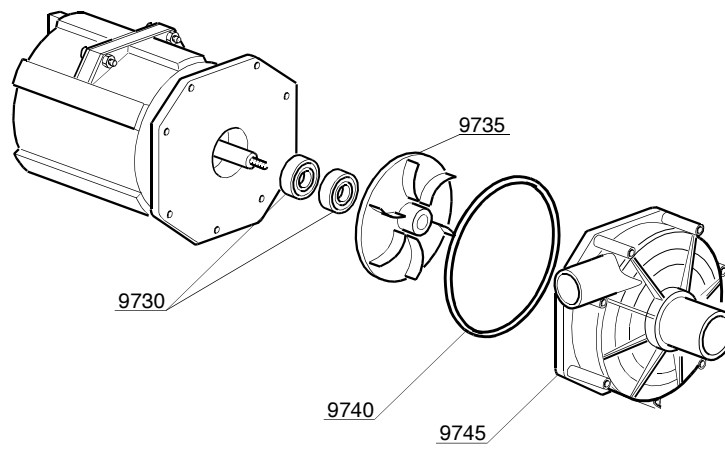
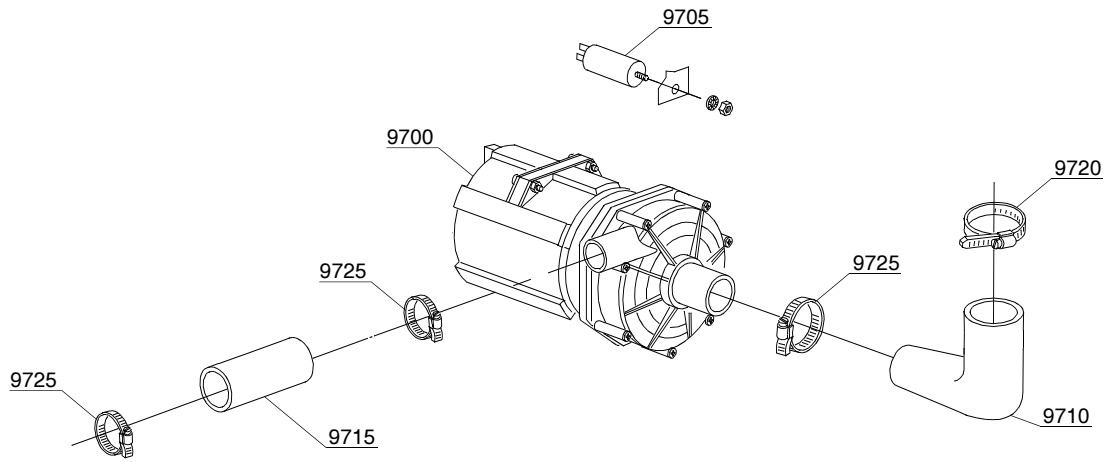
ID	P-code	Model	Type	Accessory	Voltage	Description
MODULE:3 ways derivation						
1800	540090		6U			O10 mm plastic 3 ways derivation
1805	11807		6U			12/22 clamp



12_004_e

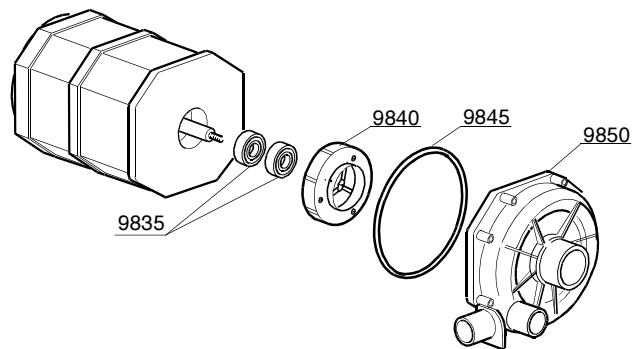
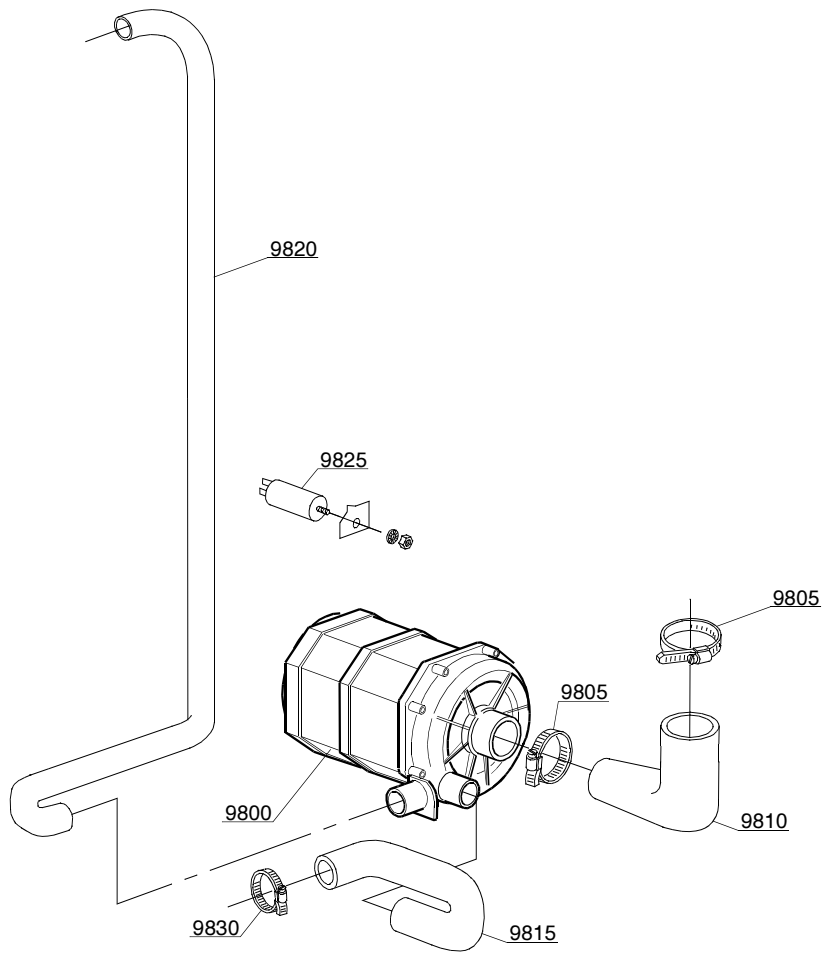
Spare parts

ID	P-code	Model	Type	Accessory	Voltage	Description
MODULE:4 ways derivation						
9600	15151		6U			O10 mm 4 ways derivation
9605	11807		6U			12/22 clamp



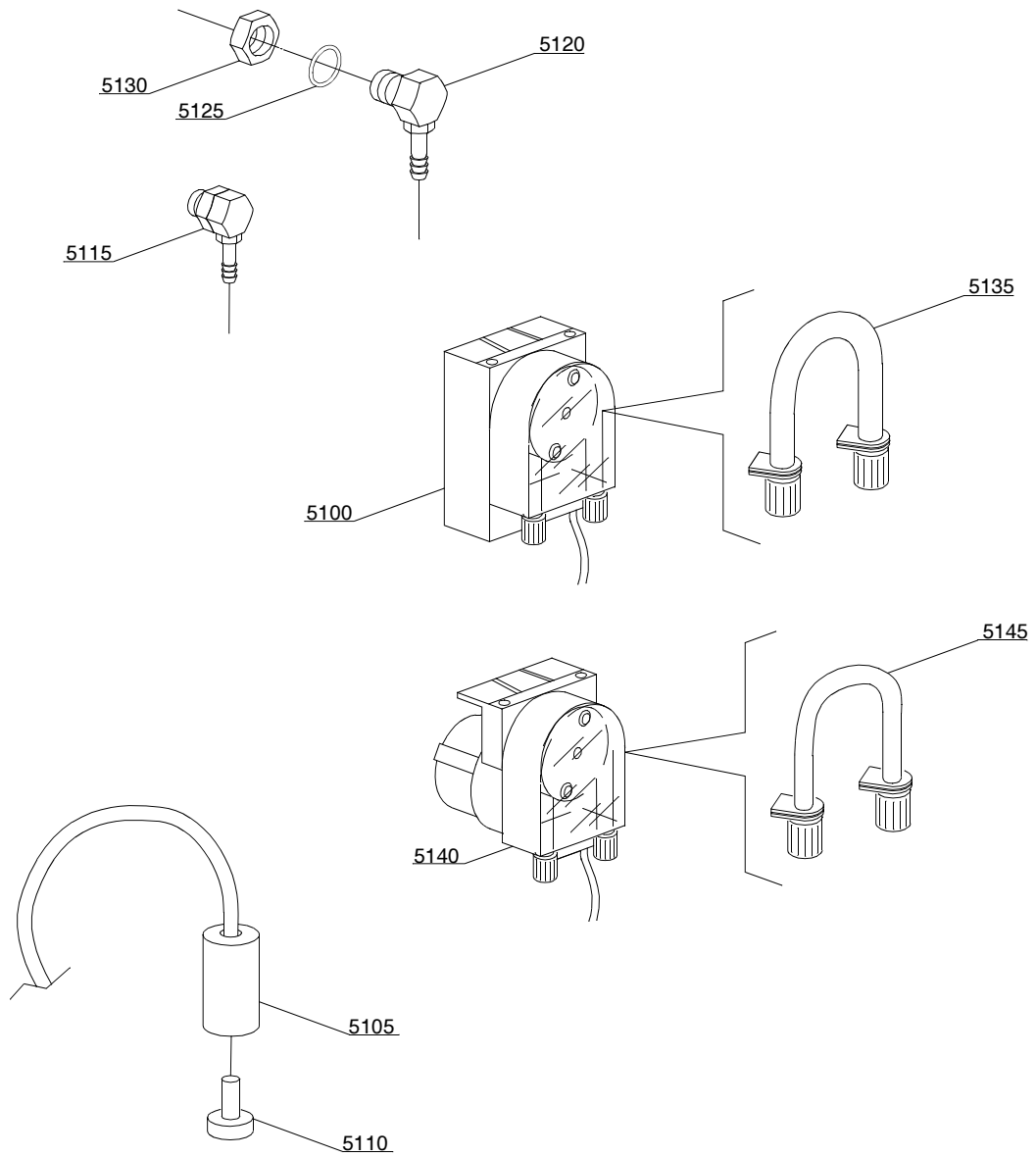
Spare parts

ID	P-code	Model	Type	Accessory	Voltage	Description
MODULE:Wash pump						
9700	16042		6U		A	0,40Hp wash pump
9700	16042/B		6U		I	0,40Hp - 60Hz wash pump
9700	16042/C		6U			0,40Hp - 110Vac 60Hz wash pump
9705	16043		6U			8 uF condenser
9710	16170		6U			Suction pipe coupling
9715	10718		6U			Pump pipe coupling
9720	11806		6U			25/40 clamp
9725	11810		6U			40/60 clamp
9730	15080		6U			Rotating seals
9735	7135		6U			Gasket
9740	7130		6U			Pump rotor
9745	7133		6U			Scroll



13_107_e

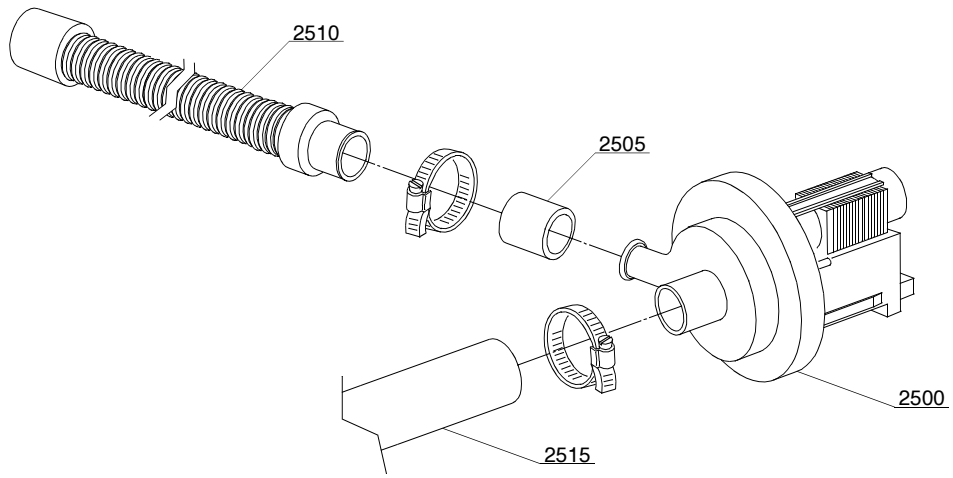
ID	P-code	Model	Type	Accessory	Voltage	Description
MODULE:Wash pump						
9800	16176		6U		A	0,6Hp wash pump
9800	16176/A		6U		A	0,6Hp 240V wash pump
9805	11810		6U			40/60 clamp
9810	16169		6U			Suction pipe coupling
9815	16168		6U			Lower wash delivery pipe
9820	16167		6U			Top delivery pipe
9825	18043		6U			10 uF condenser
9830	11806		6U			25/40 clamp
9835	15080		6U			Rotating seals
9840	15079		6U			Pump rotor
9845	7130		6U			Gasket
9850	16182		6U			Scroll



14_004_e

Spare parts

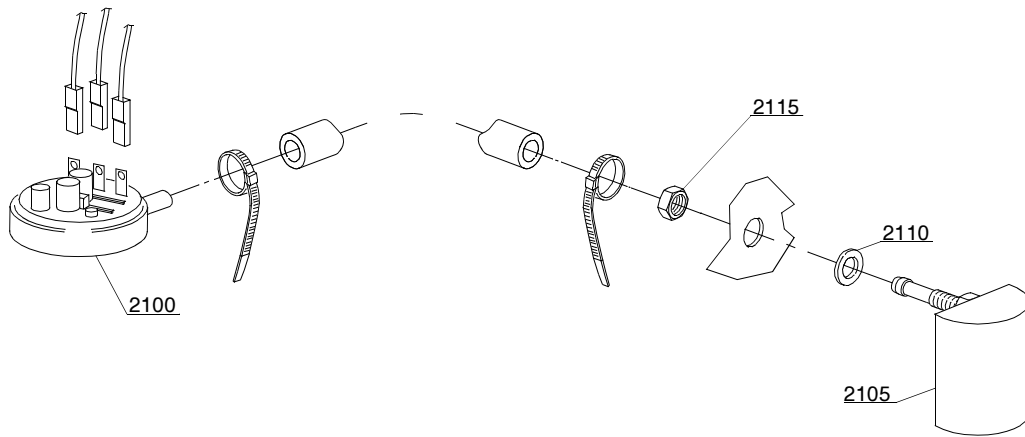
ID	P-code	Model	Type	Accessory	Voltage	Description
MODULE:Dosing device group						
5100	15985		6U	dd		Seko dosing device
5105	12525		6U	dd		Counter-weight
5110	15058		6U	dd		Small filter
5115	15123		6U	dd		Complet plastic injector
5120	15148		6U	dd		Steel injector
5125	15159		6U	dd		OR gasket
5130	10200205		6U	dd		M12x1 stainless steel nut
5135	15185		6U	dd		Seko thermoplastic pipe
5140	15985		6U	dd		Germac dosing device
5145	15108/E		6U	dd		Germac thermoplastic pipe



15_004_e

Spare parts

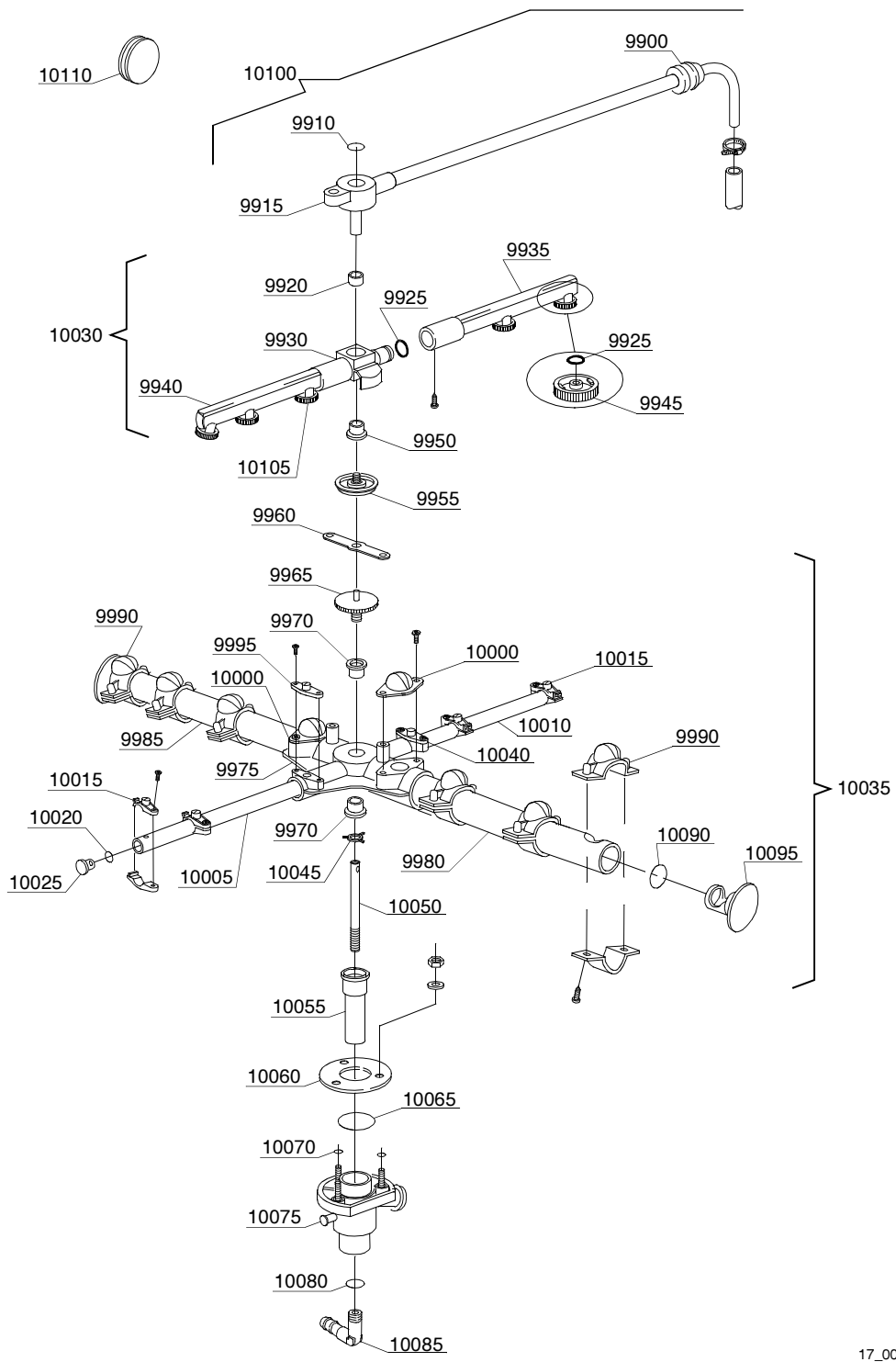
ID	P-code	Model	Type	Accessory	Voltage	Description
MODULE:Drain pump group						
2500	15101		6U	dp		Drain pump
2505	15101/D		6U	dp		Pipe fitting
2510	10727		6U	dp		Drain pipe
2515	10718		6U	dp		Drain coude/pump connection pipe



16_001_e

Spare parts

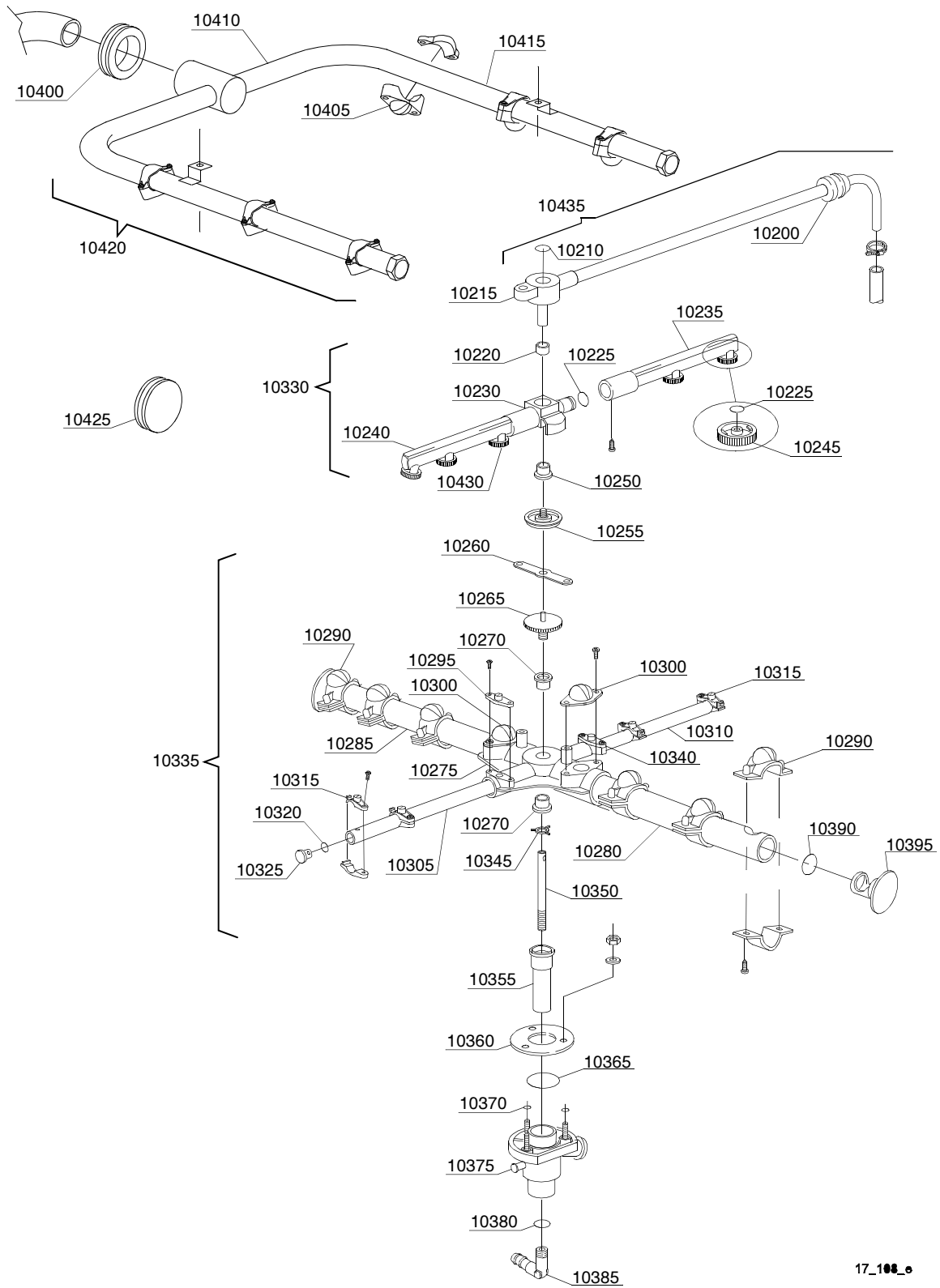
ID	P-code	Model	Type	Accessory	Voltage	Description
MODULE:Pressure switch group with air trap						
2100	10706/A		6U			47-27 pressure switch
2105	10911/B		6U			Air trap assembly
2110	13301		6U			Gasket
2115	11702		6U			M8 stainless steel nut



17_002_e

Spare parts

ID	P-code	Model	Type	Accessory	Voltage	Description
MODULE:Turret group with rotating arms						
9900	13304		6U			Pipe-pass gasket
9910	13303		6U			10x5x1 plane gasket
9915	10909		6U			Top rinse turret
9920	13320		6U			Sliding washer
9925	13002		6U			OR R6 NBR gasket
9930	10359		6U			Rinse rotor
9935	10360		6U			Right rinse pipe
9940	10361		6U			Left rinse pipe
9945	12537		6U			Opened head rinse nozzle
9950	13319		6U			Sliding washer
9955	10365		6U			Handle with insert
9960	10210		6U			Blocking ring nut rotor plaque
9965	11101/A		6U			Stainless steel group fixing screw
9970	13319		6U			Sliding washer
9975	10208		6U			4 ways small rotor
9980	16501		6U			Right wash pipe
9985	16502		6U			Left wash pipe
9990	10746		6U			Nozzle with horizontal fissure
9995	10213		6U			O10 opened plane nozzle
10000	10212		6U			O18 opened plane nozzle
10005	16503		6U			Right rinse pipe
10010	16504		6U			Left rinse pipe
10015	12528		6U			O10 complet rinse nozzle
10020	13016		6U			2018 OR 103 NBR gasket
10025	12532		6U			O10 plastic plug
10030	10996		6U			Top rinse group
10035	16950		6U			Lower wash/rinse group
10040	10217		6U			O10 closed plane nozzle
10045	10203		6U			Guide pipe
10050	16039		6U			O10x1,5x185 steel ground shaft
10055	16250		6U			Bell-shape assembly with pipe coupling
10060	16038		6U			O60 stainless steel disk
10065	13000		6U			OR 3125 NBR gasket
10070	13001		6U			OR 104 NBR gasket
10075	10205/A		6U			Lower wash turret with hole
10080	13003		6U			OR 112 NBR gasket
10085	12030		6U			3/8M O12 elbow pipe fitting
10090	13009		6U			OR 2050 NBR gasket
10095	10256		6U			O18 plastic plug
10100	16993		6U			Top rinse turret group
10105	12538		6U			Closed head rinse nozzle
10110	13316/A		6U			DVGW hole gasket



17_100_e

Spare parts

ID	P-code	Model	Type	Accessory	Voltage	Description
MODULE:Turret group with rotating arms						
10200	13304		6U			Pipe-pass gasket
10210	13303		6U			10x5x1 plane gasket
10215	10909		6U			Top rinse turret
10220	13320		6U			Sliding washer
10225	13002		6U			OR R6 NBR gasket
10230	10359		6U			Rinse rotor
10235	10360		6U			Right rinse pipe
10240	10361		6U			Left rinse pipe
10245	12537		6U			Opened head rinse nozzle
10250	13319		6U			Sliding washer
10255	10365		6U			Handle with insert
10260	10210		6U			Blocking ring nut rotor plaque
10265	11101/A		6U			Stainless steel group fixing screw
10270	13319		6U			Sliding washer
10275	10208		6U			4 ways small rotor
10280	16501		6U			Right wash pipe
10285	16502		6U			Left wash pipe
10290	10746		6U			Nozzle with horizontal fissure
10295	10213		6U			O10 opened plane nozzle
10300	10212		6U			O18 opened plane nozzle
10305	16503		6U			Right rinse pipe
10310	16504		6U			Left rinse pipe
10315	12528		6U			O10 complet rinse nozzle
10320	13016		6U			2018 OR 103 NBR gasket
10325	12532		6U			O10 plastic plug
10330	10996		6U			Top rinse group
10335	16950		6U			Lower wash/rinse group
10340	10217		6U			O10 closed plane nozzle
10345	10203		6U			Guide pipe
10350	16039		6U			O10x1,5x185 steel ground shaft
10355	16250		6U			Bell-shape assembly with pipe coupling
10360	16038		6U			O60 stainless steel disk
10365	13000		6U			OR 3125 NBR gasket
10370	13001		6U			OR 104 NBR gasket
10375	10205/A		6U			Lower wash turret with hole
10380	13003		6U			OR 112 NBR gasket
10385	12030		6U			3/8M O12 elbow pipe fitting
10390	13009		6U			OR 2050 NBR gasket
10395	10256		6U			O18 plastic plug
10400	13306/A		6U			Top wash ramp gasket
10405	18135		6U			Wash nozzle
10405	10221		6U			Wash nozzle
10410	16161		6U			Top wash pipe
10415	12503		6U			Plug

Spare parts

ID	P-code	Model	Type	Accessory	Voltage	Description
10420	16920		6U			Top wash group
10425	13316/A		6U			DVGW hole gasket
10430	12538		6U			Closed head rinse nozzle
10435	16993		6U			Top rinse turret group