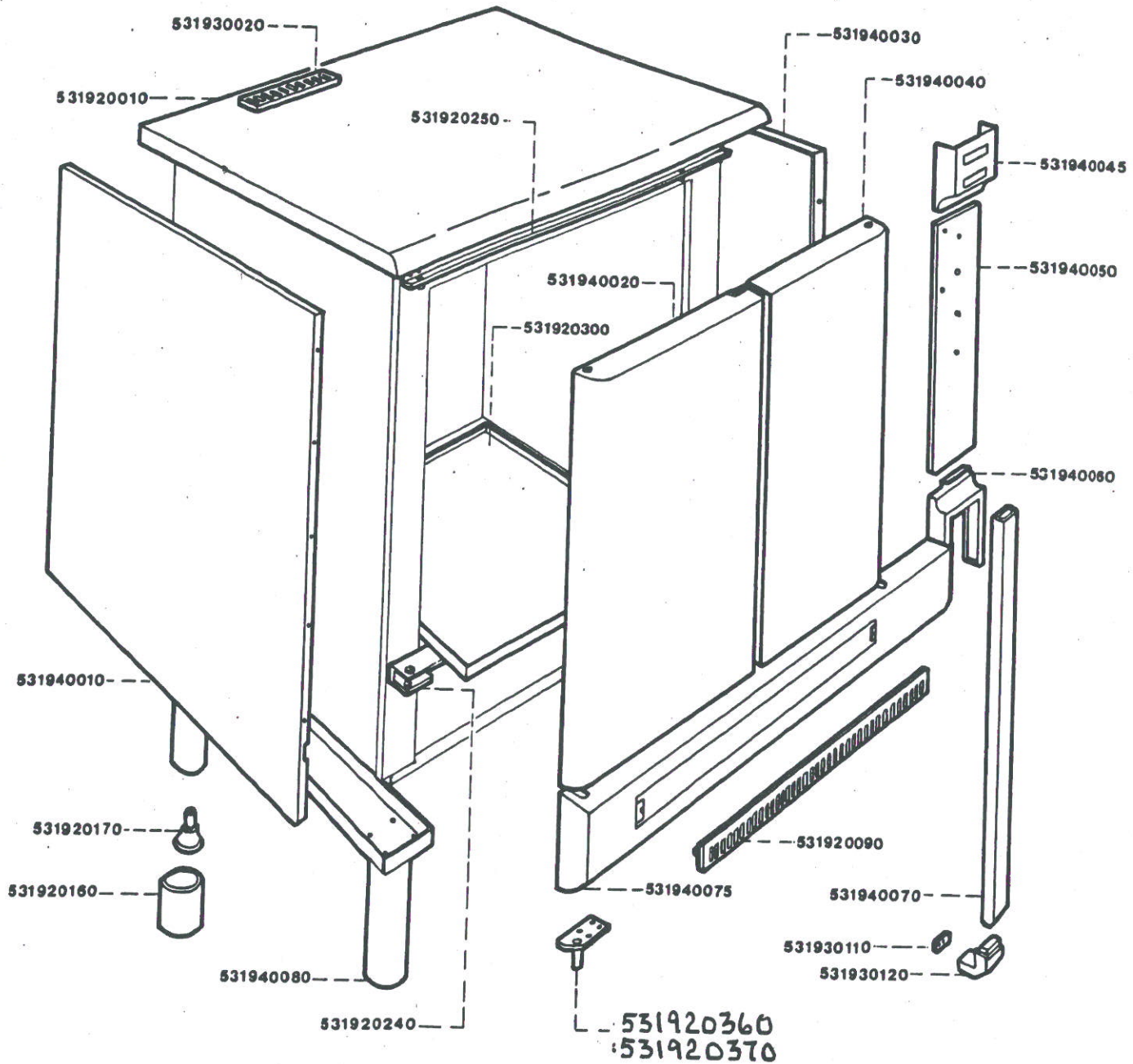


G7011 CONVECTION OVEN

Fitments



Code No.	Description
7H 531920010	Outer Top Panel
1E 531920090	Bottom Cover Louvre
12B 531920160	Leg Cover
6B 531920170	Adjustable Foot
5E 531920240	Door Support Angle — Bottom
12D 531920250	Door Support Angle — Top
8E 531920300	Drip Tray
5D 531930020	Flue Exit Box
1B 531930110	Door Handle Gasket
10B 531930120	Door Handle Bracket
531920360	Bottom Door Hinge — L.H.
531940175	BOTTOM DOOR ANGLE w/ MECHANISM.

Code No.	Description
531920370	Bottom Door Hinge — R.H.
7G 531940010	Outer Side Panel — L.H.
2M 531940020	Oven Door Assembly — L.H.
5G 531940030	Outer Side Panel — R.H.
11K 531940040	Oven Door Assembly — R.H.
12E 531940045	Control Panel — Top
1F 531940050	Control Panel Centre
3N 531940060	Bottom Control Panel Trim
1E 531940070	Door Handle Tube
2E 531940075	Bottom Cover
1G 531940080	Leg Stand End Assembly
531940160	DOOR LATCH STRIP.

Sheet Reference Number

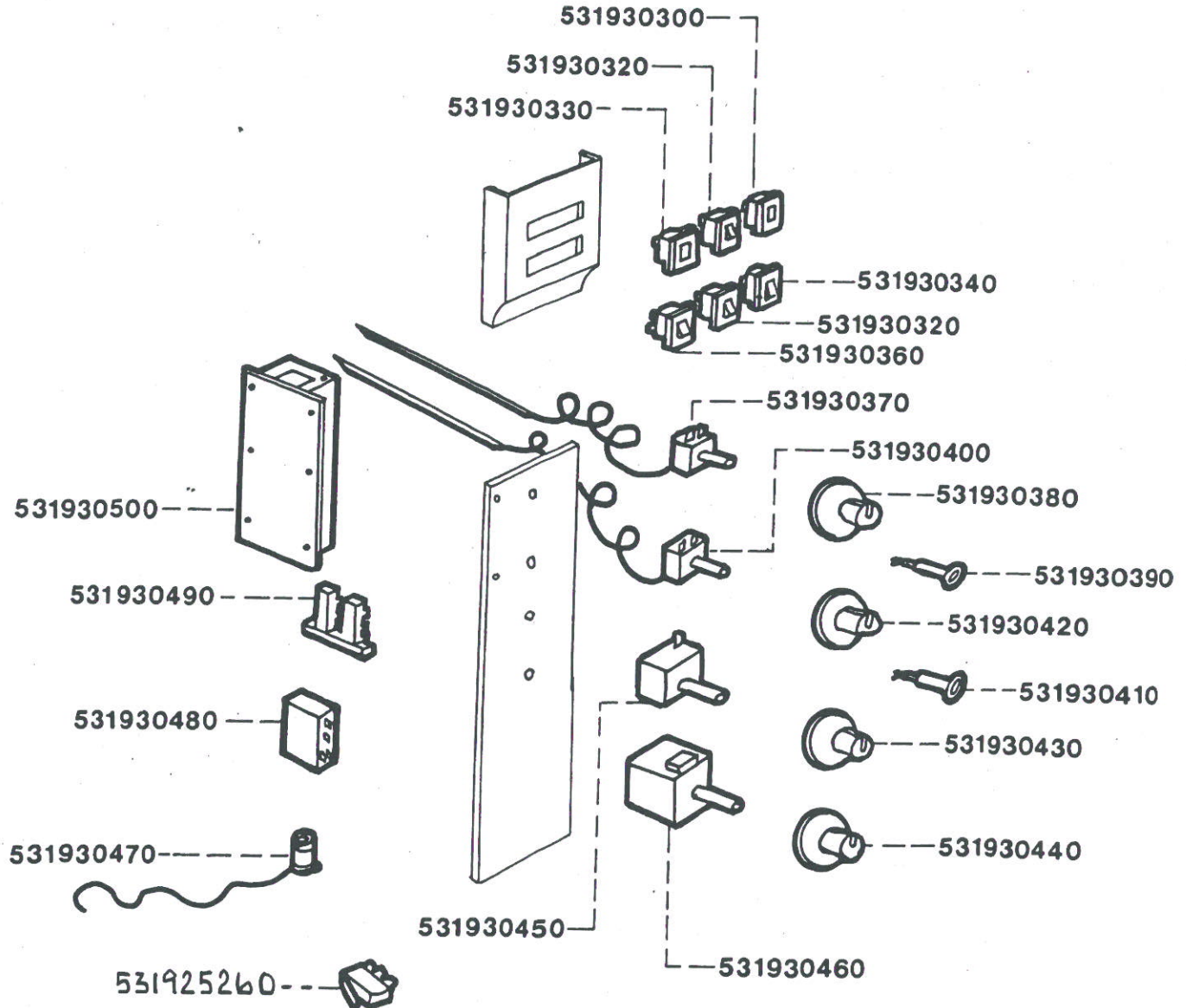
G7011/0286/001

Falcon Catering Equipment

Commercial and institutional catering equipment



Falcon Catering Equipment is a business name of Glynwed Consumer & Building Products Ltd a member of the Glynwed International plc group of companies



Code No.	Description
12B 531930300	Indicator Lamp — Ignition
12B 531930320	Rocker Switch — Fan and Cook
12B 531930330	Indicator Lamp — Heat
12B 531930340	Rocker Switch — Lights
12B 531930360	Rocker Switch — On/Off
12D 531930370	Thermostat — Cook
6B 531930380	Thermostat Knob — Cook
12B 531930390	Indicator — Cook Temp.
12D 531930400	Thermostat — Hold
12B 531930410	Indicator — Hold Temp.
6B 531930420	Thermostat Knob — Hold
732920062	FAN RELAY
732920063	RELAY BASE.

Code No.	Description
6B 531930430	Timer Knob — Cook only
6B 531930440	Timer Knob — Cook and Hold
2F 531930450	Timer — Cook only
1F 531930460	Timer — Cook and Hold 12 HRS.
531925260	Microswitch
5E 531930470	Buzzer
1E 531930480	Igniter Box
9B 531930490	Terminal Block
8J 531930500	Gas Control Unit
531930295	PRESSURE SWITCH

Sheet Reference Number

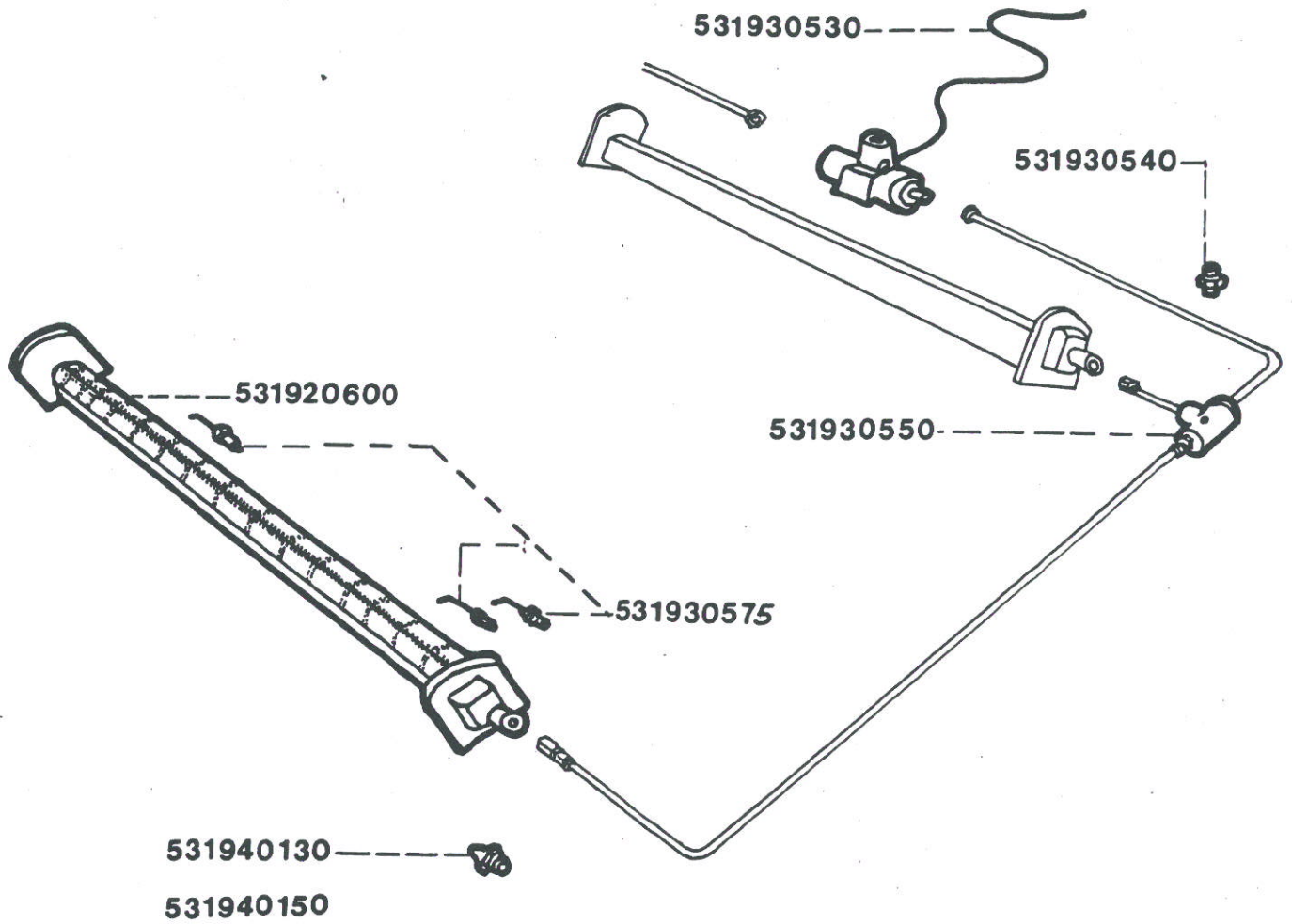
G7011/0286/003

**Falcon Catering
Equipment**

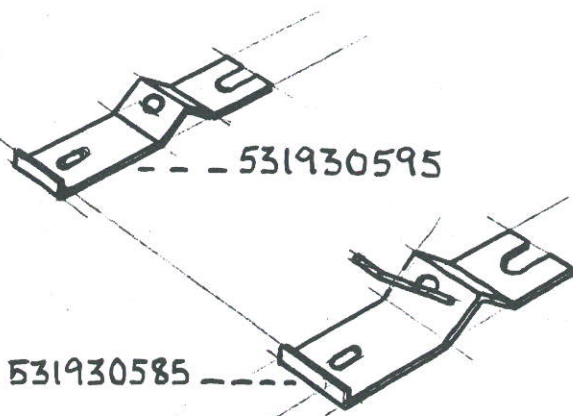
Commercial and institutional
catering equipment



Falcon Catering Equipment is a
business name of
Glynwed Consumer & Building Products Ltd
a member of the
Glynwed International plc
group of companies



Code No.	Description
11H 531930530	Solenoid Valve
1B 531930540	Pressure Test Nipple
1B 531930550	T Piece with Test Point Tapping
1B 531920130	Injector Nat. Gas
1B 531920140	Injector Butane Gas
1B 531920150	Injector — Propane Gas
8B 531930575	Electrode (4 per unit)
6C 531930585	Electrode Bracket Assembly (2 per unit)
5C 531930595	Electrode Bracket (2 per unit)
8F 531920600	Burner



Sheet Reference Number

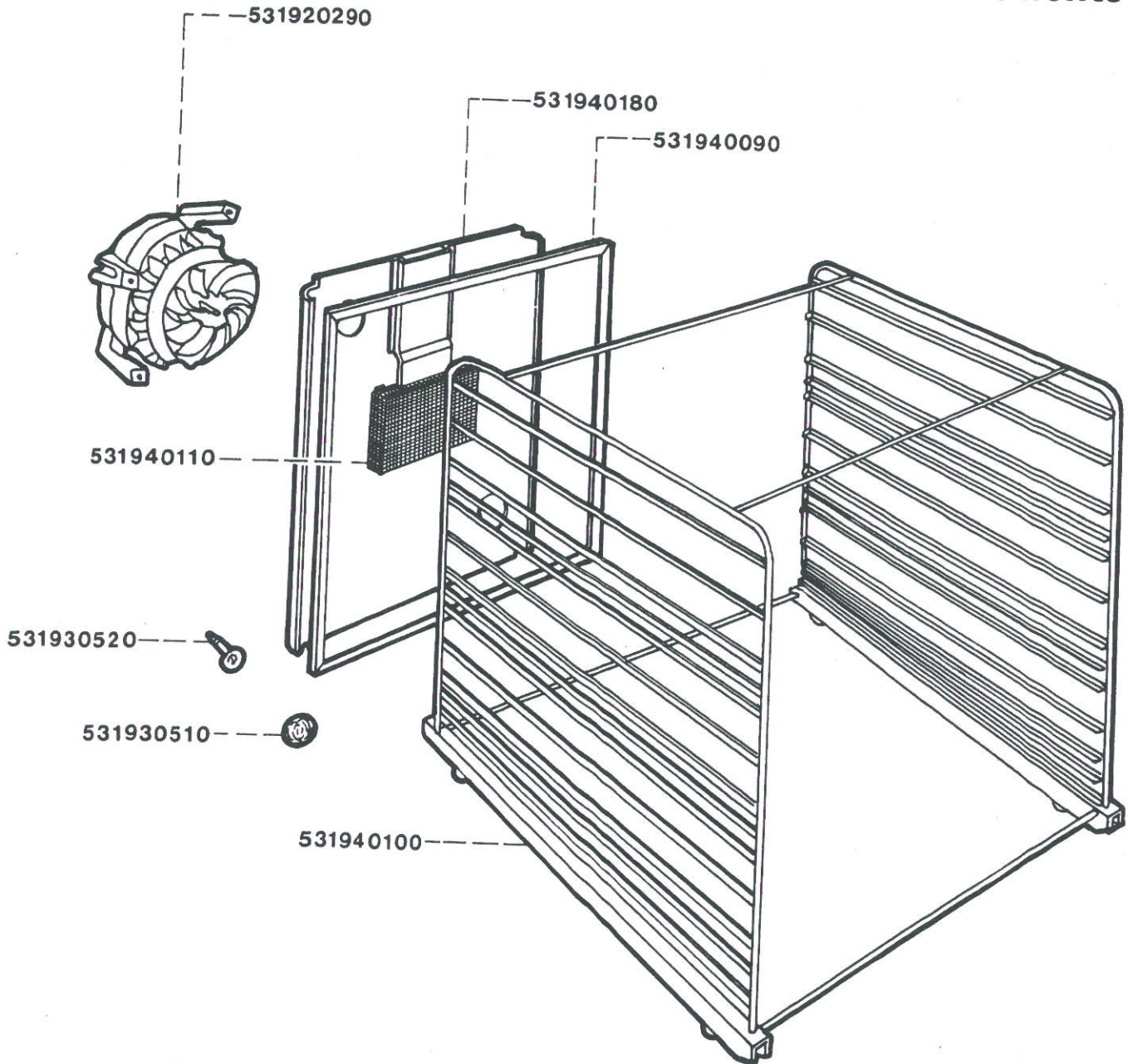
G7011/0286/004



Falcon Catering Equipment is a business name of Glynwed Consumer & Building Products Ltd a member of the Glynwed International plc group of companies

G7011 CONVECTION OVEN

Oven Fitments



Code	No.	Description
9N	531920290	Fan Motor
12B	531930510	Oven Lamp Glass
6B	531930520	Oven Lamp
10F	531940090	Door Seal
*	531940100	Shelf Hanger Assembly
*	531940110	Fan Guard
*	531940180	Oven Back Baffle

Sheet Reference Number

G7011/0286/002

**Falcon Catering
Equipment**

**Commercial and institutional
catering equipment**



Falcon Catering Equipment is a
business name of
Glynwed Consumer & Building Products Ltd
a member of the
Glynwed International plc
group of companies