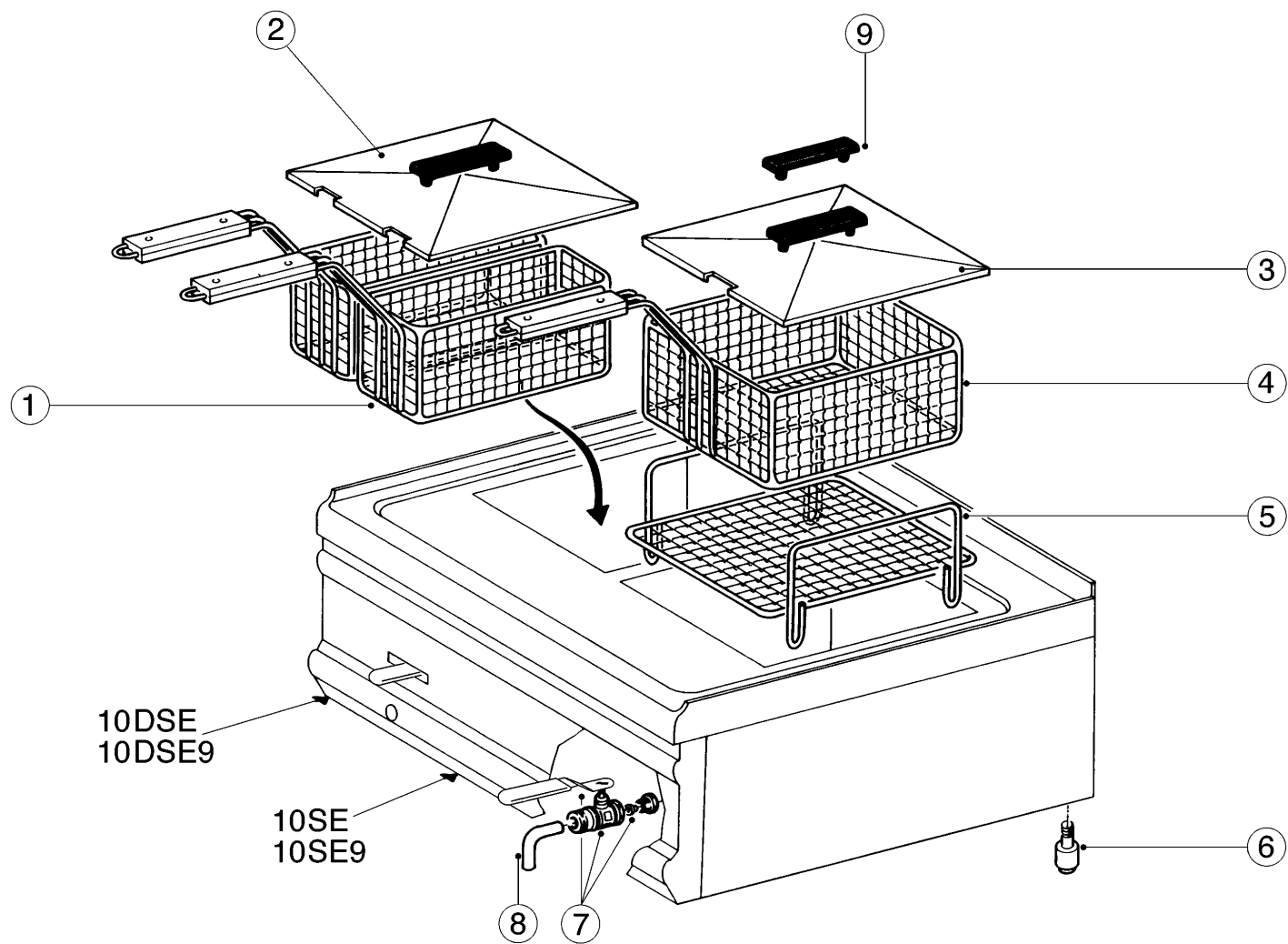


| Pezzi/Pieces Pieces/Anzahl | | | | | Pos. | Validità dalla matricola Validité du numéro matricule Validity from serial number Gültigkeit ab der (Seriennummer) | Validità alla matricola Validity up to serial number Validité au numéro matricule Gültigkeit bis zur (Seriennummer) | Codice Code Artikel Nummer | Descrizione | Description | Description | Beschreibung |
|-------------------------------|--|--|--------|---------|------|---|--|-------------------------------------|------------------------------|--------------------------|-------------------------------|-------------------------------|
| | | | SK10SE | SK10DSE | | | | | | | | |
| | | | 1 | 2 | 1 | | | X64000 | Gancio appendicesto | Basket hanger hook | Crochet pour pendre le panier | Korbaufhänghaken |
| | | | 2 | 4 | 2 | | | 0300M90000 | Vite per gancio appendicesto | Basket hanger hook screw | Vis pour crochet du panier | Schraube für Korbaufhänghaken |
| | | | 1 | 2 | 3 | | | 0000X00600 | Manopola per interruttore | Switch knob | Bouton interrupteur | Griff für Schalter |
| | | | 1 | 2 | 4 | | | X50900 | Lampada spia verde | Green pilot lamp | Lampe témoin verte | Grüne signallampe |
| | | | 1 | 2 | 5 | | | X41200 | Lampada spia arancio | Orange pilot lamp | Lampe témoin orange | Orange signallampe |
| | | | 1 | 2 | 6 | | | 0000X00700 | Manopola per termostato | Knob thermostat | Cle de commande thermoc. | Drehknopf thermostat |
| | | | 1 | 2 | 7 | | | X51300 | Interruttore | Switch | Interrupteur | Geräteschalter |
| | | | 1 | 2 | 8 | | | X49500 | Termostato di sicurezza | Safety thermostat | Thermostat de sureté | Sicherheitsthermostat |
| | | | 1 | 2 | 9 | | | X41800 | Pressacavo | Cable clamp | Presse à câble | Kabelpresse |
| | | | 1 | 2 | 10 | | | X43800 | Termostato | Thermostat | Thermostat | Thermostat |
| | | | 1 | 2 | 11 | | | M25200 | Passafilo | Cable sleeve | Passe-fil | Drahtdurchführung |
| | | | 3 | 6 | 12 | | | X46600 | Resistenza | Resistance | Résistance | Resistenz |
| | | | 1 | 2 | 13 | | | Y10100 | Contattore | Contacteur | Contacteur | Betriebsschütz |
| | | | 1 | 2 | 14 | | | R31600 | Microinterruttore | Microswitch | Micro-interrupt. | Mikroschalter |
| | | | 4 | 8 | 15 | | | M86900 | Molletta fissaggio capillari | Capillary fastening clip | Ressort fixation capillaire | Kapillarrohrklemme |



| Pezzi/Pieces Pieces/Anzahl | | | | | Pos. | Validità dalla matricola Validité du numéro matricule Validity from serial number Gültigkeit ab der (Seriennummer) | Validità alla matricola Validity up to serial number Validité au numéro matricule Gültigkeit bis zur (Seriennummer) | Codice Code Artikel Nummer | Descrizione | Description | Description | Beschreibung |
|-------------------------------|--|--|-------------------|---------------------|------|---|--|-------------------------------------|--------------------------|-------------------------|----------------------------------|----------------------|
| | | | SK10SE SK10SE9 | SK10DSE SK10DSE9 | | | | | | | | |
| | | | 2 | 4 | 1 | | | X63100* | Mezzocesto | Half basket | Demi-panier | Halbkorb |
| | | | 1 | 2 | 2 | | | 0000B40700* | Coperchio per mezzicesti | Cover for half baskets | Couvercle à demi-panier | Deckel für Halbkörbe |
| | | | 1 | 2 | 4 | | | 0000B27300 | Coperchio per cesto | Cover for basket | Couvercle à panier | Deckel für Korb |
| | | | 1 | 2 | 6 | | | X62000 | Cesto | Basket | Panier | Korb |
| | | | 1 | 2 | 7 | | | X62100 | Filtro | Filter | Filtre | Filter |
| | | | 4 | 4 | 8 | | | M06400 | Piedino | Foot | Pied | Fuss |
| | | | 1 | 2 | 9 | | | 0000X15600 | Rubinetto di scarico | Outlet tap | Robinet vidange | Ablaufhahn |
| | | | 1 | 1 | 10 | | | B10700 | Curva di scarico | Drain trap | Courbe d'écoulement | Ablasswinkelrohr |
| | | | 1 | 2 | 11 | | | M20600 | Maniglia per copricesto | Handle for basket cover | Poignées pour couvercle à panier | Griff für Korbdeckel |