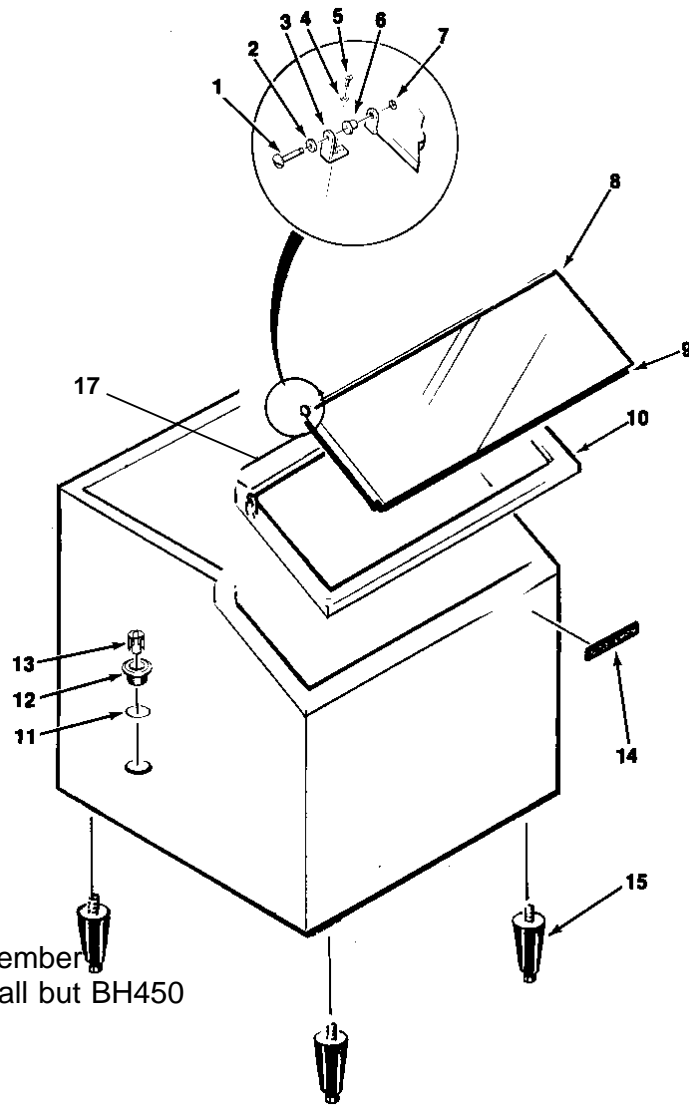
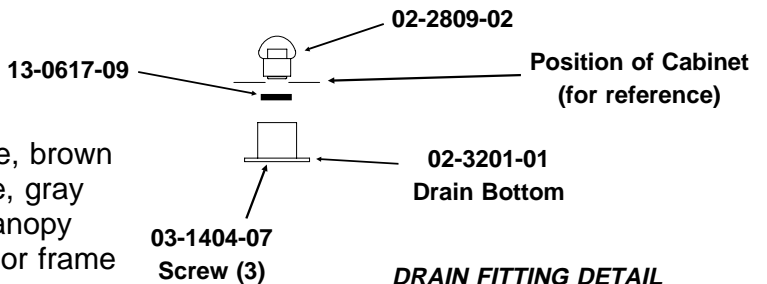


# Bins and Accessories Service Parts

## HTB250/350 & BH250/350 & BH450



Item Number	Part Number	Description
1	02-2806-01	Shoulder screw
2	02-2380-02	Spacer
3	A25259-001	BH450 Hinge member
	A31248-001	Hinge member, all but BH450
4	03-1417-14	Washer
5	03-1404-26	Screw
6	02-2380-01	Hinge bushing
7	03-1539-09	E ring
8	A32648-001	Door - brown
	A32648-002	Door - gray
9	13-0595-00	Door gasket (49" req.)
10	02-2857-01	HTB250/350 Door frame, brown
	02-2857-02	HTB250/350 door frame, gray
	A30820-001	BH450 Door frame & canopy
	02-2863-01	BH250AE/BH350AE Door frame
11	13-0617-11	O-ring
12	02-2809-01	Drain top, all but BH450
	A18090-000	BH450 drain top
13	A06448-000	BH450 strainer
14	15-0711-01	Emblem - for sandalwood
	15-0711-02	Emblem for gray
15	no number	Legs (see page 23)
16	A32580-001	Baffle HTB only
17	A32317-001	Canopy, all but BH450
18	02-3201-01	Drain bottom, HTB250/350 after Nov. 91 (05K)



**DRAIN FITTING DETAIL**  
after serial numbers  
HTB250 489378-05K  
HTB350 488666-05K