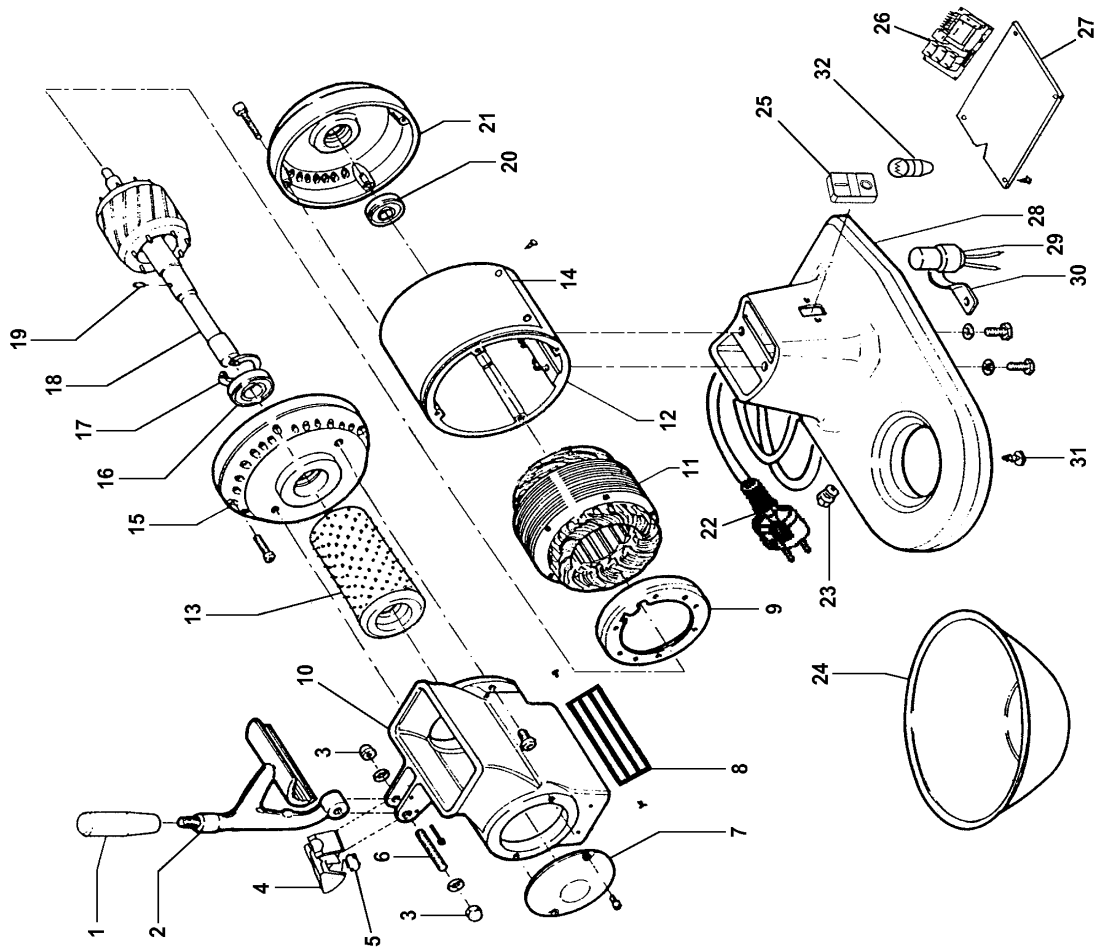


Grattugia mod.12/S  
 Grater mod.12/S



## GRATTUGIA MOD.12/S GRATER MOD.12/S

RIF.	CODICE / CODE	DIN - UNI	DESCRIZIONE / DESCRIPTION
1	SL0106		Impugnatura / Grip
2	SL0201		Pressore / Pusher
2	SL0107	01/09/99 f.p.(*)	Pressore / Pusher
3	SL0108	M8	Dado / Nut
4	SL0882		Supporto / Support
5	SL0885		Microinterruttore / Microswitch
6	SL0258	M8x60	Prigioniero / Stud
7	SL0111		Coperchietto / Cover
8	SL1452		Griglia / Grid
9	SL0189		Protezione / Guard
10	SL0203		Bocca / Casing
10	SL0112	01/09/99 f.p.(*)	Bocca / Casing
11	SL0183	230-400V/3Ph/50Hz	Statore trifase / Triple-phase stator
11	SL0122	230V/1Ph/50Hz	Statore monofase / Single-phase stator
12	SL0146		Carcassa / Housing
12	SL0123	01/04/00 f.p.(*)	Carcassa trifase / Triple-phase housing
13	SA5200		Rullo / Cylinder
14	SL0181		Lista / Covering
15	SL0117		Calotta / Cap
16	SL0118	6205 ZZ	Cuscinetto / Bearing
17	SL0119	ø52	Seeger Interno / Spring Ring
18	SA7500	230-400V/3Ph/50Hz	Rotore trifase / Triple-phase rotor
18	SA7600	230V/1Ph/50Hz	Rotore monofase / Single-phase rotor
19	SL0121	ø5x10	Spina cilindrica / Pin
20	SL0126	6203 ZZ	Cuscinetto / Bearing
21	SL0517		Calotta / Cap
22	SL1841	3Ph+Gnd	Cavo elettrico trifase / Electric cable (triple-phase)
22	SL1671	1Ph+N+Gnd	Cavo elettrico monofase / Electric cable (single-phase)
23	SL1668	PG11	Pressacavo / Cable clamp
24	SL0174		Recipiente / Container
25	SL0891		Pulsante / Push button
26	SL0516	230-400V/3Ph/50Hz	Scheda elettronica trifase / Triple-phase electronic card
26	SL0516	01/01/01 f.p.(*)	Scheda elettronica monofase / Single-phase electronic card
26	SL0556	230V/1Ph/50Hz	Scheda elettronica monofase / Single-phase electronic card
26	SL0883	01/07/98 f.p.(*)	Scheda elettronica / Electronic card
27	SL0268		Fondo / Bottom
28	SL0178		Base / Base
29	SL0177	16µF	Condensatore / Condenser
30	SL0176		Staffa / Bracket
31	SL0133		Tappo / Tap
32	SL1677	36V 2W	Lampadina (trifase) / Bulb (triple-phase)
32	SL1677	01/01/01 f.p.(*)	Lampadina (monofase) / Bulb (single-phase)
32	SL2256	24V 2W	Lampadina (monofase) / Bulb (single-phase)
////	SL1459	01/07/98 f.p.(*)	Freno motore / Motor brake
////	SL1460	01/07/98 f.p.(*)	Ventola freno motore / Motor brake fan
////	SL1461	01/07/98 f.p.(*)	Alimentatore freno motore / Motor brake feeder

(\*): fuori produzione / out of production