

| Code | No. | Description | Code | No. | Description |
|------|-----|---|------|-----|--|
| G06 | 1 | 534350040 Outer Top Panel (Gas) | E11 | 9 | 734350140 Door Latch c/w Keeper (LINK ROD SEPERATE No) |
| G03 | 1 | 734350380 Outer Top Panel (Electric) | P02 | 10 | 734340100 Door Assembly |
| E01 | 2 | 534350130 Flue Discharge Chamber (Gas Only) | D06 | 11 | 734340020 Inner Door Glass (c/w SEAL) |
| B04 | 3 | 734350350 Top Hinge | E08 | 12 | 734340021 Door Seal (734340021) |
| F08 | 4 | 734300110 Shelf Hanger R.H. | F03 | 13 | 734310110 Shelf |
| E05 | 5 | 734340070 Outer Side Panel R.H. | C10 | 14 | 734350360 Bottom Hinge |
| C06 | 6 | 734350150 Door Latch Keeper | F08 | 15 | 734300100 Shelf Hanger L.H. |
| F02 | 7 | 734340090 Control Panel | E01 | 16 | 734340080 Outer Side Panel L.H. |
| A02 | 8 | 734350280 Control Panel Seal | C06 | 17 | 734350430 Foot Assembly |

734340010 DOOR LINK ROD
734340021 INNER DOOR SEAL c/w SEALANT

Sheet Reference Number

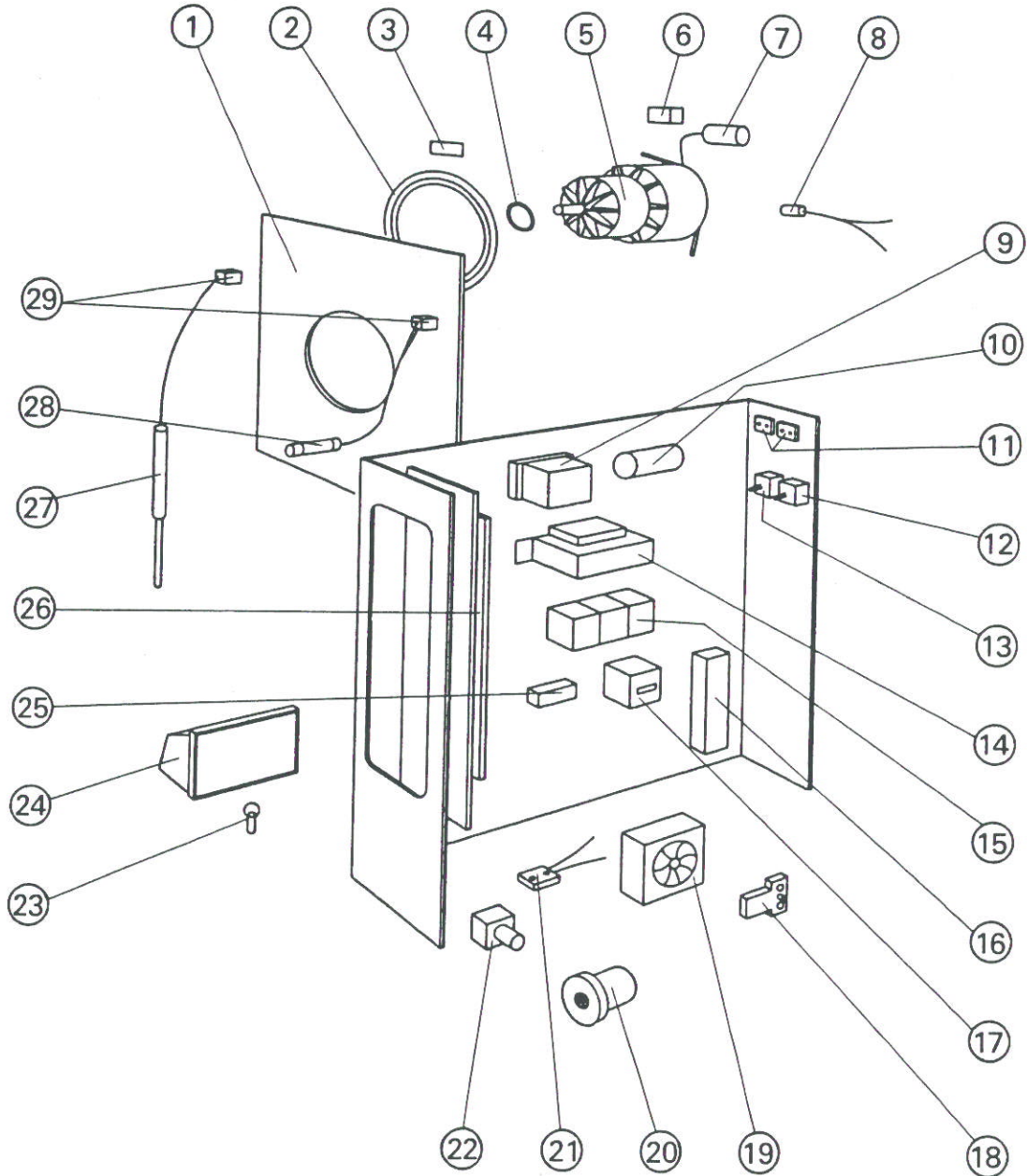
E4063/G4063/0294/001



Falcon Catering Equipment is a business name of Glynwed Consumer Products Ltd a member of the Glynwed International plc group of companies

E4063 COMBINATION OVEN

CONTROLS



| Code | No. | Description | Code | No. | Description |
|------|-----|---|------|----------------------------------|-------------------------------------|
| D07 | 1 | 734340110 Oven Back Baffle | F01 | 16 | 734350530 Terminal Block |
| K01 | 2 | 734310660 Oven Element | H07 | 17 | 734300090 Circuit Breaker |
| A03 | 3 | 734310330 Oven Element Gasket | C09 | 18 | 734350160 Safety Cut Out Thermostat |
| D02 | 4 | 534310330 Fan Shaft Seal | G06 | 19 | 734350310 Cooling Fan |
| N08 | 5 | 734350290 Fan c/w Capacitor | E12 | 20 | 734350300 Buzzer |
| B05 | 6 | 734311120 Fan Terminal Block | E02 | 21 | 734310410 Reed Switch |
| E09 | 7 | 734310340 Fan Capacitor | D02 | 22 | 734350170 Light Switch |
| C10 | 8 | 734350130 Fan Sensor | A03 | 23 | 734350190 Bulb |
| J04 | 9 | 734310360 Water Level Switch/RELAY | C11 | 24 | 734350180 Oven Light |
| D03 | 10 | 734350120 Mains Filter | A02 | 25 | 734310640 Fuse 2 Amp |
| B07 | 11 | 734350330 Thermocouple Socket | P11 | 26 | 734350070 Control Board (20 Key) |
| C12 | 12 | 734311090 Safety Thermostat — Boiler | P10 | 734350080 Control Board (14 Key) | |
| E02 | 13 | 534310370 Safety Thermostat — Oven | L05 | 27 | 734310470 Food Probe |
| D10 | 14 | 734350110 Transformer | D12 | 28 | 734310370 Thermocouple |
| G08 | 15 | 734310440 Contactor | B05 | 29 | 734350320 Thermocouple Plug |

734319290

534350200 - SUPPRESSION FILTER
(RECTANGULAR SHAPED)

534350480 - OVEN FILTER

534350430 POTENTIOMETER c/w LEADS/PLUG

734310970 Food Probe

(ARMoured)

POST '91'

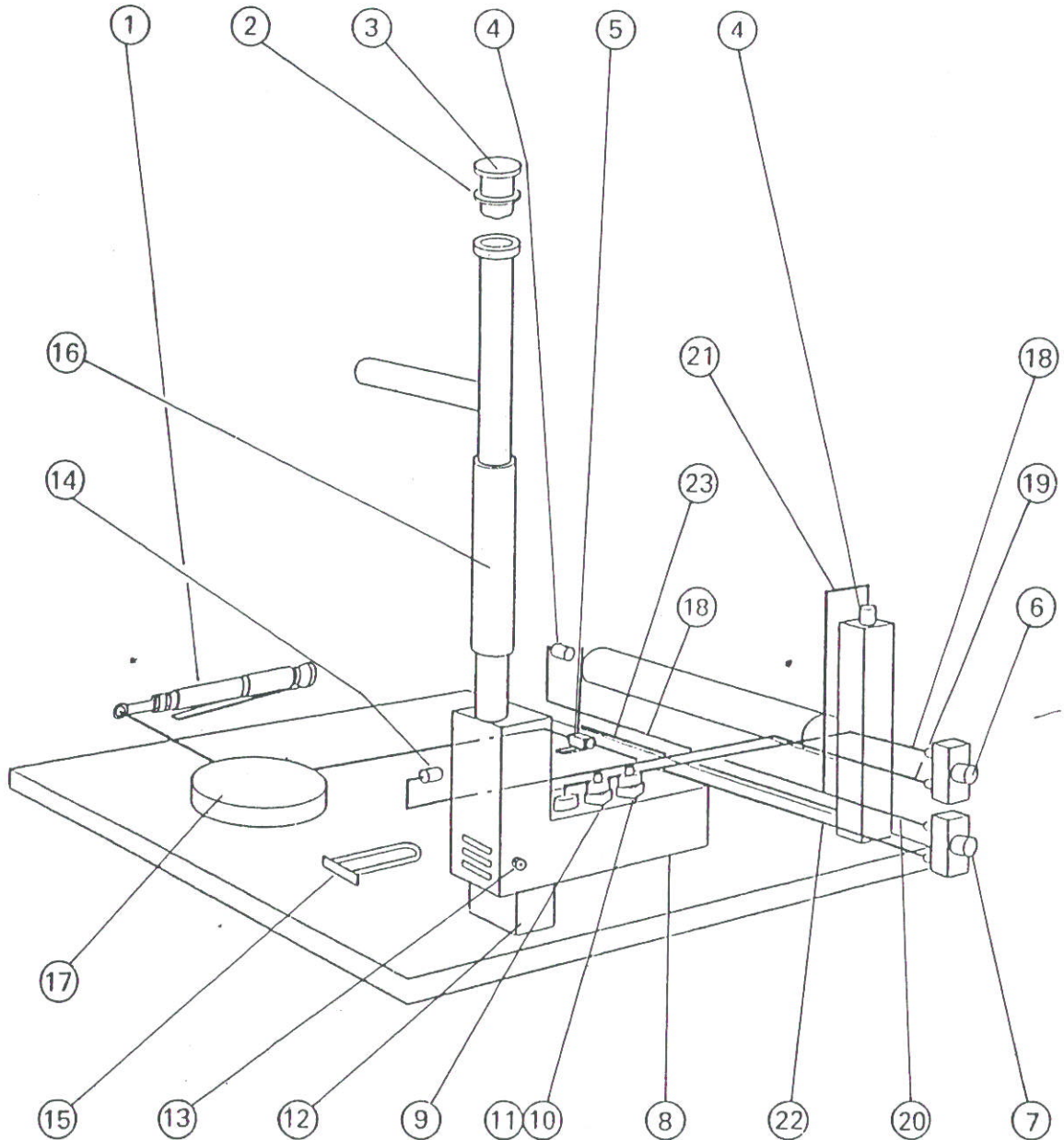
PRE 8/91

Sheet Reference Number

E4063/0294/001



Falcon Catering Equipment is a business name of Glynwed Consumer Products Ltd a member of the Glynwed International plc group of companies



| Code | No. | Description | Code | No. | Description |
|------|-----|------------------------|------|-----------|--|
| J09 | 1 | Spray Gun | H03 | 12 | Drain Motor Valve |
| A04 | 2 | 'O' Ring | E07 | 13 | Boiler Thermostat |
| E05 | 3 | Pressure Relief Cap | E01 | 14 | Spray Injector — Oven |
| C12 | 4 | Water Injector | D09 | 15 | Boiler Element c/w Phial Hole (6 Shelf) |
| | | (Condenser and Drain) | E05 | | Boiler Element (6 Shelf) |
| B08 | 5 | Ball Valve | D11 | 734311130 | Boiler Element c/w Phial Hole (12 Shelf) |
| H05 | 6 | Water Solenoid Valve | E05 | 734310250 | Boiler Element (12 Shelf) |
| | | (Boiler and Spray) | B07 | 16 | Steam Inlet Hose |
| G01 | 7 | Water Solenoid Valve | M05 | 17 | Hose Reel |
| | | (DOUBLE) | B11 | 18 | Hose — Boiler Fill and Drain Spray |
| K01 | 8 | Boiler (6 Shelf) | A03 | 19 | Hose — Oven Spray |
| K11 | | Boiler (10 Shelf) | A08 | 20 | Hose — Condenser (Short) |
| C12 | 9 | Electrode (High Level) | B11 | 21 | Hose — Condenser Spray |
| C12 | 10 | Electrode (Low Level) | B07 | 22 | Hose — Hose Reel |
| A02 | 11 | Electrode Gasket | A03 | 23 | Hose — Fixed Drain |



734310215 SINGLE SOLENOID
 T678338 CONDENSE MANIFOLD ASSY
 734310361 WATER LEVEL CONTROLLER
 FOR SENSITIVITY (OFF-SHORE)
 T679329 HOSE (VALVE TO ELBOW TO
 SPRAY GUN HOSE) BLUE 6' LONG

(DRAIN VALVE BODY 534350590)
 (DRAIN ACTUATOR 534350600) 28mm

580mm
 90mm
 75mm
 720mm
 426mm
 80mm



Falcon Catering Equipment is a business name of Glynwed Consumer Products Ltd a member of the Glynwed International plc group of companies

2.24m LONG * FOR NEW MODELS MINUS HOSE REEL *
 734311320 1/2" M.F. BRONZE EQUAL ELBOW GENERATOR INLET HOSE
 734311300 HOSE CONNECTOR

E4063 COMBINATION OVEN

LONG SPARES LIST

| Code | No. | Description | Code | No. | Description |
|------|-----------|-------------------------------|------|-----------|---|
| H07 | 734300090 | Circuit Breaker | D07 | 734340110 | Oven Back Baffle |
| G08 | 734310440 | Contactora | K01 | 734340120 | Boiler |
| C12 | 734310850 | Mechanical Interlock | P02 | 734340100 | Door Assembly |
| E05 | 734300080 | Boiler Element | D06 | 734340020 | Inner Door Glass |
| D09 | 734300160 | Boiler Element c/w Phial Hole | D05 | 734340030 | Outer Door Glass |
| C12 | 734311090 | Boiler Safety Thermostat | A08 | 734340040 | Spring — Glass |
| K01 | 734310660 | Oven Element | A03 | 734350240 | Spring — Drip Tray |
| A03 | 734310330 | Oven Element Gasket | A01 | 734350260 | Glass Mounting Gasket — Inner |
| E07 | 734310270 | Boiler Thermostat | A01 | 734350270 | Glass Mounting Gasket — Outer |
| C12 | 734310300 | Electrode — High Level | A02 | 734350250 | Glass Locating Bush |
| C12 | 734310310 | Electrode — Low Level | E02 | 734340010 | Door Link Rod |
| A02 | 734310320 | Electrode Gasket | E11 | 734350140 | Door Latch c/w Keeper |
| E05 | 734310860 | Pressure Relief Cap | C06 | 734350150 | Door Latch Keeper |
| A04 | 734310870 | 'O' Ring | E08 | 734340050 | Door Seal |
| N08 | 734350290 | Fan Motor c/w Capacitor | B02 | 734340060 | Outer Glass Seal |
| E09 | 734310340 | Fan Motor Capacitor | C05 | 734350340 | Door Drip Tray |
| B05 | 734311120 | Fan Motor Terminal Block | B04 | 734350350 | Door Hinge Top |
| C10 | 734350130 | Fan Sensor | C10 | 734350360 | Door Hinge Bottom |
| D02 | 534310330 | Fan Shaft Seal | F07 | 734300100 | Shelf Hanger (L.H.) |
| P11 | 734350070 | Control Board (20 Key) | F07 | 734300110 | Shelf Hanger (R.H.) |
| P10 | 734350080 | Control Board (14 Key) | A12 | 734350370 | Shelf Hanger Stud |
| A02 | 734350280 | Control Board Seal | F03 | 734310110 | Shelf |
| D10 | 734350110 | Transformer | C06 | 734350430 | Foot Assembly |
| D03 | 734350120 | Mains Filter | H03 | 734310960 | Drain Motor Valve |
| J04 | 734310360 | Level Controller | H05 | 734310290 | Water Solenoid Valve (Boiler and Spray) |
| E02 | 534310370 | Oven Safety Thermostat | G01 | 734350450 | Water Solenoid Valve (Condenser and Reel) |
| C09 | 734350160 | Safety Cut Out Thermostat | M05 | 734350220 | Hose Reel |
| D12 | 734310370 | Oven Thermocouple | B08 | 734350440 | Ball Valve |
| E02 | 734310410 | Reed Switch | J09 | 734350230 | Spray Gun |
| L05 | 734310470 | Food Probe | C12 | 734350210 | Water Injector Condenser and Drain |
| E12 | 734350300 | Buzzer | E01 | 734350200 | Water Injector Oven Spray |
| C11 | 734350180 | Oven Light | B07 | 734350550 | Hose — Steam Inlet |
| A03 | 734350190 | Light Bulb | A03 | 734350460 | Hose — Fixed Drain |
| D02 | 734350170 | Light Switch | B11 | 734350470 | Hose — Boiler Fill and Drain Spray |
| B10 | 734350090 | Relay — Functional | A03 | 734350480 | Hose — Oven Spray |
| D01 | 734350100 | Relay — Select | A08 | 734350490 | Hose — Condenser Short |
| A02 | 734310640 | Fuse 2 Amp | B11 | 734350500 | Hose — Condenser Spray |
| G06 | 734350310 | Cooling Fan | B07 | 734350510 | Hose — Hose Reel |
| G03 | 734350380 | Outer Top Panel | B05 | 734350320 | Thermocouple Plug |
| E05 | 734340070 | Outer Side Panel (R.H.) | B07 | 734350330 | Thermocouple Socket |
| E01 | 734340080 | Outer Side Panel (L.H.) | F01 | 734350530 | Terminal Block |
| F02 | 734340090 | Control Panel | | | |
| | 534350480 | Oven Filter | | 534350430 | POTENTIOMETER (DIMMER SWITCH) |

Sheet Reference Number

E4063/0194/001



Falcon Catering Equipment is a business name of Glynwed Consumer Products Ltd a member of the Glynwed International plc group of companies