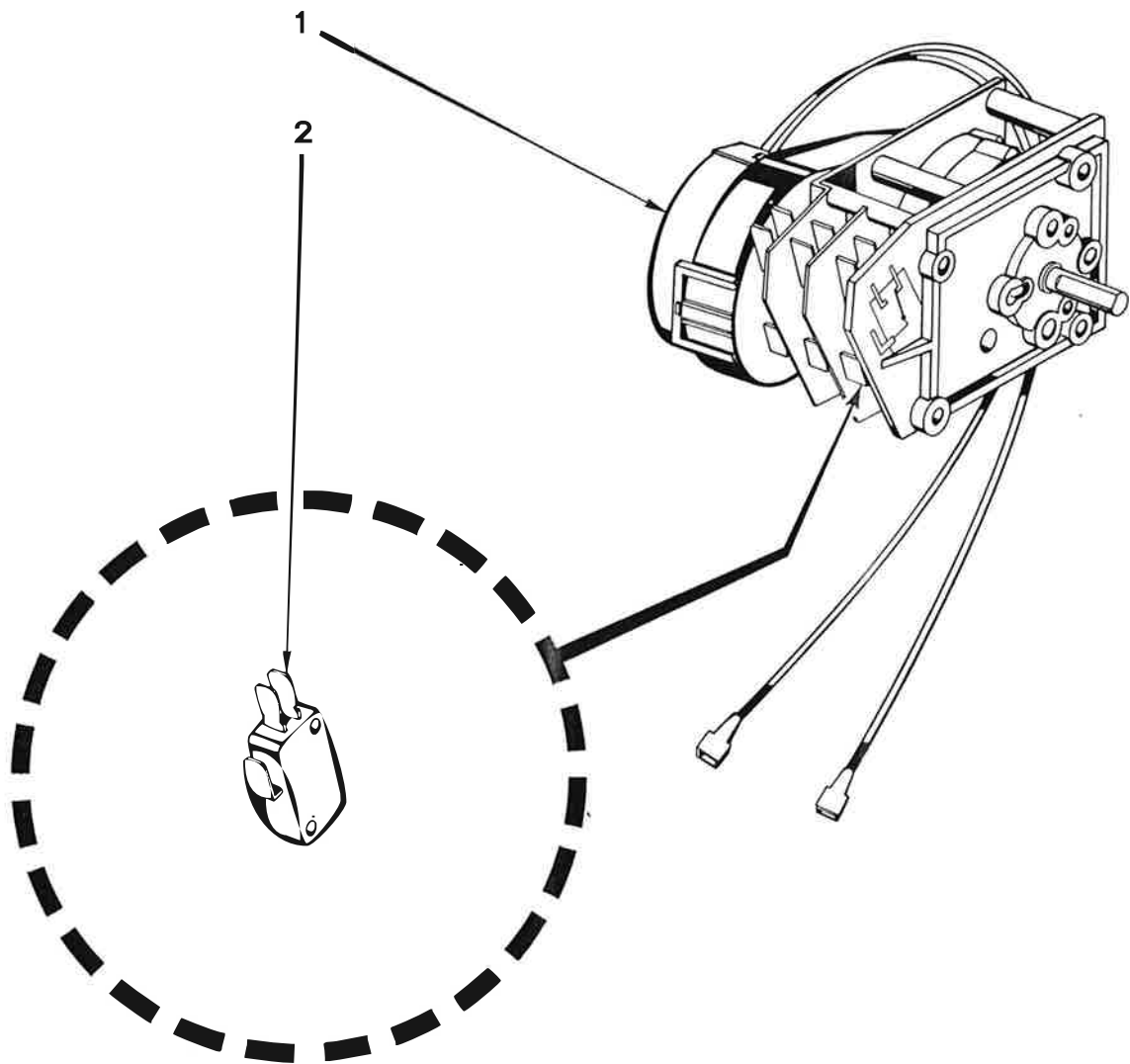
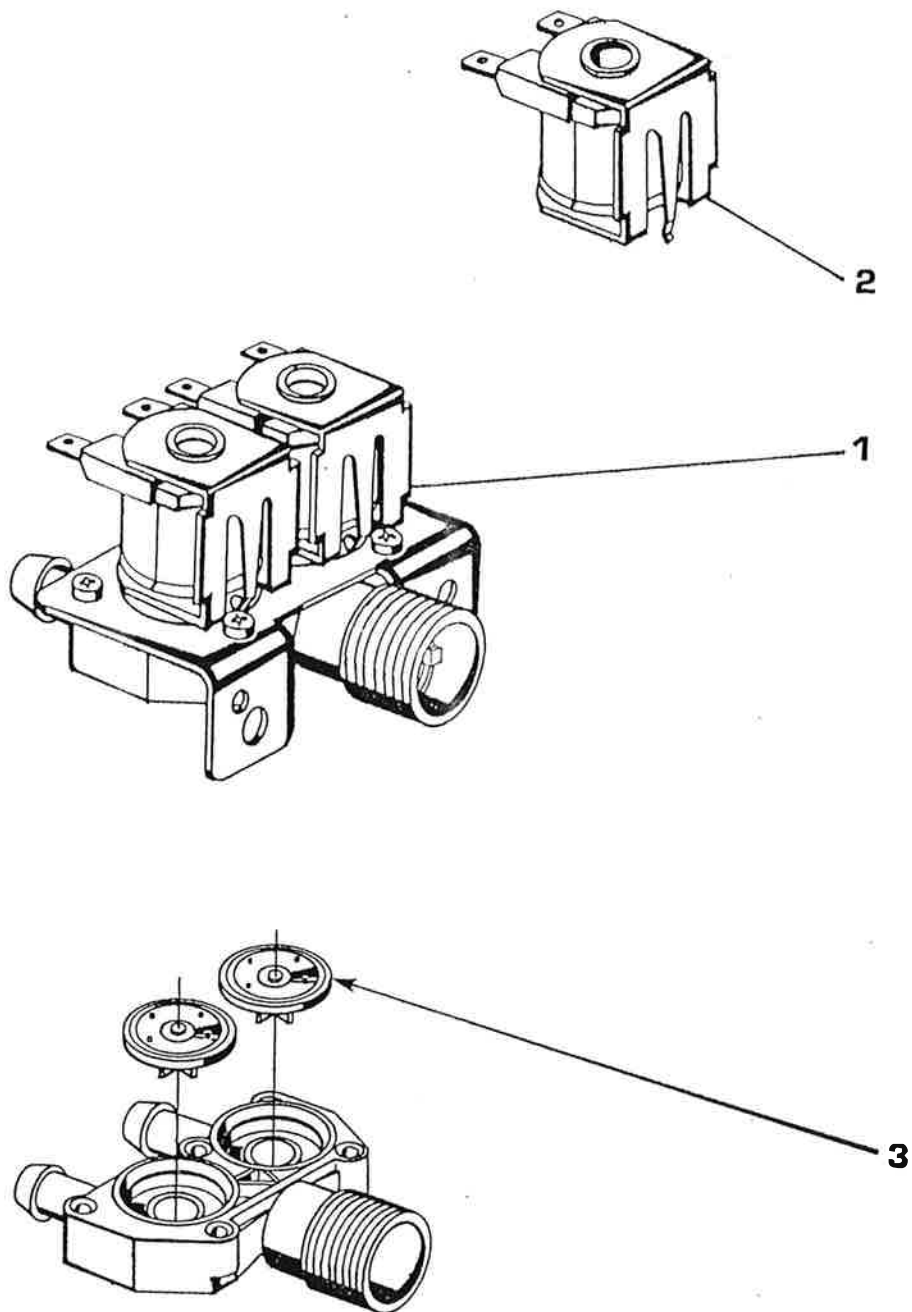


| OS. | CODICE<br>CODE<br>KODE | POS. | CODICE<br>CODE<br>KODE | POS. | CODICE<br>CODE<br>KODE | POS. | CODICE<br>CODE<br>KODE |
|-----|------------------------|------|------------------------|------|------------------------|------|------------------------|
| 1   | { 02 50 05<br>02 50 06 | 31   | { 23 00 03<br>23 00 02 | 60   | 14 30 13               |      |                        |
| 2   | { 21 60 02<br>21 60 03 | 32   | 43 70 28               | 61   | 12 10 17               |      |                        |
| 3/4 | 44 70 07               | 33   | { 45 80 03<br>45 80 02 | 62   | 99 30 20               |      |                        |
| 5/6 | 44 70 08               | 34   | 11 70 01 *             | 63   | 43 70 30               |      |                        |
| 7   | 20 80 03               | 35   | 98 40 02               | 64   | pag. 93                |      |                        |
| 8   | { 21 30 02<br>20 80 01 | 36   | 46 80 29               | 65   | pag. 98                |      |                        |
| 9   | 23 60 07               | 37   | { 45 60 20<br>43 70 19 | 66   | 46 80 06               |      |                        |
| 10  | pag. 90                | 38   | 14 30 05               | 67   | 43 70 27               |      |                        |
| 11  | 22 40 02               | 39   | 14 30 04               | 68   | 46 70 04               |      |                        |
| 12  | 99 90 40               | 40   | 99 90 23               | 69   | 46 10 02               |      |                        |
| 13  | 12 30 02               | 41   | 40 69 99 *             | 70   | { 20 30 25<br>20 30 26 |      |                        |
| 14  | 99 40 01               | 42   | 99 00 11               | 71   | 20 40 08               |      |                        |
| 15  | { 48 00 15<br>48 00 16 | 43   | 11 00 04               | 72   | 45 90 01               |      |                        |
| 16  | 01 20 24               | 44   | 14 00 04               | 73   | { 10 80 02<br>10 80 03 |      |                        |
| 17  | 99 90 04               | 45   | 11 90 02               | 74   | 00 40 07               |      |                        |
| 18  | 32 20 01               | 46   | 46 30 04               | 75   | 45 60 16               |      |                        |
| 19  | 49 90 18               | 47   | 99 90 19               | 76   | 21 20 01               |      |                        |
| 20  | 31 90 02               | 48   | 99 30 11               | 77   | 42 90 11               |      |                        |
| 21  | 12 19 99               | 49   | 14 00 06               | 78   | 48 00 06               |      |                        |
| 22  | 44 70 26               | 50   | 13 80 01               | 79   | 43 70 34               |      |                        |
| 23  | 14 20 07               | 51   | 11 00 02               | 80   | 42 90 12               |      |                        |
| 24  | 14 20 01               | 53   | 43 70 34               |      |                        |      |                        |
| 25  | 43 70 38               | 54   | 45 60 16               |      |                        |      |                        |
| 26  | 98 20 02               | 55   | 48 00 05               |      |                        |      |                        |
| 27  | 99 10 02               | 56   | 99 90 08               |      |                        |      |                        |
| 28  | 43 70 07               | 57   | 21 80 02               |      |                        |      |                        |
| 29  | 43 50 01               | 58   | { 98 70 01<br>98 70 05 |      |                        |      |                        |
| 30  | 43 70 31               | 59   | { 20 10 02<br>20 10 11 |      |                        |      |                        |



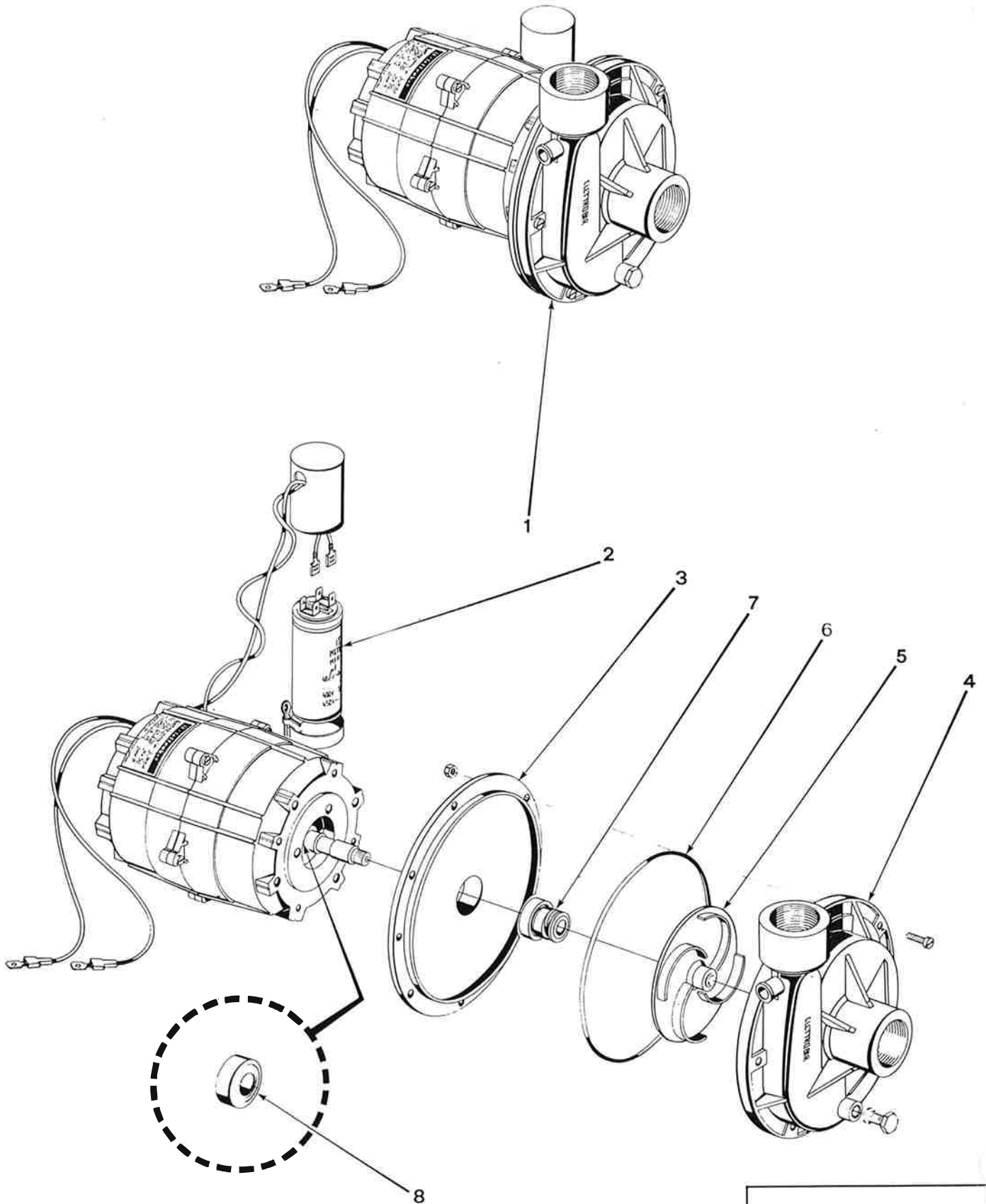
| POS. | CODICE<br>CODE<br>KODE | DESCRIZIONE - DESCRIPTION - BESCHREIBUNG   |
|------|------------------------|--|
| 1    | 23 80 25               | Timer ciclo 180" - Cronel 2C<br>Cycle timer 180" - Cronel 2C<br>Programmateur cycle 180" - Cronel 2C<br>Programmschalter 180" - Cronel 2C<br>220/50/1<br>Mod. R 495 - 497  |
| 1    | 23 80 01               | Timer ciclo 180" - Crouzet 3C<br>Cycle timer 180" - Crouzet 3C<br>Programmateur cycle 180" - Crouzet 3C<br>Programmschalter 180" - Crouzet 3C<br>220/50/1<br>Mod. R 499 - 501 - 503 -<br>505 - 507 - 509 -<br>511 - 704 - 706 -<br>708 - S 641 - 643<br><br>Mod. S 870<br>fino matricola n° 64902<br>till serial no. 64902<br>au matricule n° 64902<br>bis Maschinen-Nr. 64902 |
| 1    | 23 80 24               | Timer ciclo 180" - Cronel 3C<br>Cycle timer 180" - Cronel 3C<br>Programmateur cycle 180" - Cronel 3C<br>Programmschalter 180" - Cronel 3C<br>220/50/1<br>Mod. R 499 - 501 - 503 -<br>505 - 507 - 509 -<br>511 - 704 - 706 -<br>708 - S 641 - 643<br><br>Mod. S 870<br>fino matricola n° 64902<br>till serial no. 64902<br>au matricule n° 64902<br>bis Maschinen-Nr. 64902     |
| 1    | 23 80 05               | Timer ciclo 180" - Cronel 3C<br>Cycle timer 180" - Cronel 3C<br>Programmateur cycle 180" - Cronel 3C<br>Programmschalter 180" - Cronel 3C<br>220-240/50/1<br>Mod. R 499 - 501 - 503 -<br>505 - 507 - 509 -<br>511 - 704 - 706 -<br>708 - S 641 - 643<br><br>Mod. S 870<br>fino matricola n° 64902<br>till serial no. 64902<br>au matricule n° 64902<br>bis Maschinen-Nr. 64902 |
| 1    | 23 80 16               | Timer ciclo 180" - Cronel 3C<br>Cycle timer 180" - Cronel 3C<br>Programmateur cycle 180" - Cronel 3C<br>Programmschalter 180" - Cronel 3C<br>220/60/1<br>Mod. R 499 - 501 - 503 -<br>505 - 507 - 509 -<br>511 - 704 - 706 -<br>708 - S 641 - 643<br><br>Mod. S 870<br>fino matricola n° 64902<br>till serial no. 64902<br>au matricule n° 64902<br>bis Maschinen-Nr. 64902     |

| POS. | CODICE<br>CODE<br>KODE | DESCRIZIONE - DESCRIPTION - BESCHREIBUNG  |
|------|------------------------|---|
| 1    | 23 80 09               | Timer pompa scarico 180" - Cronel 4C<br>Drain pump timer 180" - Cronel 4<br>Programmateur pompe vidange 180" - Cronel 4C<br>Laugenpumpe-Programmschalter 180" - Cronel 4C<br>220/50/1<br>Mod. R 501 - 505 - 509 -<br>704 - 706 - 708 -<br>S 641<br><br>Mod. S 870<br>fino matricola n° 64902<br>till serial no. 64902<br>au matricule n° 64902<br>bis Maschinen-Nr. 64902 |
| 2    | 21 80 09               | Micro timer Cronel<br>Microtimer Cronel<br>Minirupteur programmateur Cronel<br>Mikroschalter Cronel   |



| POS. | CODICE<br>CODE<br>KODE | DESCRIZIONE - DESCRIPTION - BESCHREIBUNG  |
|------|------------------------|---|
| 1    | 24 00 06               | Valvola - Elbi - 1 via 90°<br>Solenoid valve - Elbi - 1 way 90°<br>Vanne - Elbi - 1 bobine 90°<br>Einweg - Einlassmagnetventil - Elbi - 90°<br>220-240/50-60/1<br>Mod. R 495  |
| 1    | 24 00 05               | Valvola - Elbi - 1 via 180°<br>Solenoid valve - Elbi - 1 way 180°<br>Vanne - Elbi - 1 bobine 180°<br>Einweg - Einlassmagnetventil - Elbi - 180°<br>220-240/50-60/1<br>Mod. R 704 - 706  |
| 1    | 24 00 03               | Valvola - 2 vie 180°<br>Solenoid valve - 2 ways 180°<br>Vanne - 2 bobines 180°<br>Zweiweg - Einlassmagnetventil - 180°<br>220-240/50-60/1<br>Mod. R 497 - 499 - 501 -<br>505 - 509 - S 641  |
| 1    | 24 00 02               | Valvola - 3 vie 180°<br>Solenoid valve - 3 ways 180°<br>Vanne - 3 bobines 180°<br>Dreiweg - Einlassmagnetventil - 180°<br>220-240/50-60/1<br>Mod. R 503 - 507 - 511 -<br>S 643  |
| 1    | 24 00 08               | Valvola ottone piccola portata<br>Brass solenoid valve - small capacity<br>Vanne laiton - petite<br>Kleines Einlassmagnetventil aus Messing<br>220-240/50-60/1<br>Mod. R 708  |
| 1    | 24 00 07               | Valvola ottone grande portata<br>Brass solenoid valve - big capacity<br>Vanne laiton - grande<br>Grosses Einlassmagnetventil aus Messing<br>220-240/50-60/1<br>Mod. S 870<br>fino matricola n° 64902<br>till serial no. 64902<br>au matricule n° 64902<br>bis Maschinen-Nr. 64902 |

| OS. | CODICE<br>CODE<br>KODE | DESCRIZIONE - DESCRIPTION - BESCHREIBUNG  |
|-----|------------------------|---|
| 2   | 20 10 06               | Bobina valvola<br>Coil for solenoid valve<br>Bobine pour vanne<br>Spule für Einlassmagnetventil   |
| 2   | 20 10 08               | Bobina valvola ottone piccola portata<br>Coil for brass solenoid valve - small capacity<br>Bobine vanne laiton petite<br>Spule für kleines Einlassmagnetventil aus Messing        |
| 2   | 20 10 07               | Bobina valvola ottone grande portata<br>Coil for brass solenoid valve - big capacity<br>Bobine vanne laiton grande<br>Spule für grosses Einlassmagnetventil aus Messing           |
| 3   | 29 90 22               | Membrana valvola ottone grande portata<br>Membrane for brass solenoid valve - big capacity<br>Membrane vanne laiton grande<br>Membran für grosses Einlassmagnetventil aus Messing |



**E3 wolk**

POMPA  
WASH PUMP  
POMPE  
ELEKTROPUMPE

mod. R:  
7 - 499 - 501  
503 - 505 - 507

99

10/87

| POS. | CODICE<br>CODE<br>KODE | DESCRIZIONE - DESCRIPTION - BESCHREIBUNG   |
|------|------------------------|--|
| 1    | 13 00 11               | Pompa LC 120 HP 0,5<br>Wash pump LC 120 HP 0,5<br>Pompe LC 120 HP 0,5<br>Elektropumpe LC 120 HP 0,5<br>220/50/1<br>Mod. R 497 - 499 - 501 -<br>503 - 505 - 507             |
| 1    | 13 00 12               | Pompa LC 120 HP 0,5<br>Wash pump LC 120 HP 0,5<br>Pompe LC 120 HP 0,5<br>Elektropumpe LC 120 HP 0,5<br>240/50/1<br>Mod. R 497 - 499 - 501 -<br>503 - 505 - 507             |
| 1    | 13 00 27               | Pompa LC 120 HP 0,5<br>Wash pump LC 120 HP 0,5<br>Pompe LC 120 HP 0,5<br>Elektropumpe LC 120 HP 0,5<br>220/60/1<br>Mod. R 497 - 499 - 501 -<br>503 - 505 - 507             |
| 1    | 13 00 23               | Pompa FIR 1294 HP 0,25<br>Wash pump FIR 1294 HP 0,25<br>Pompe FIR 1294 HP 0,25<br>Elektropumpe FIR 1294 HP 0,25<br>220/50/1<br>Mod. R 497 - 499 - 501 -<br>503 - 505 - 507 |
| 2    | 20 60 02               | Condensatore LC 120<br>Condenser LC 120<br>Condensateur LC 120<br>Kondensator LC 120   |
| 2    | 20 60 01               | Condensatore FIR 1294<br>Condenser FIR 1294<br>Condensateur FIR 1294<br>Kondensator FIR 1294   |
| 3    | 31 50 01               | Flangia LC 120 FIR 1294<br>Flange LC 120 FIR 1294<br>Flansque LC 120 FIR 1294<br>Flasch LC 120 - FIR 1294  |
| 4    | 11 60 01               | Corpo pompa LC 120 FIR 1294<br>Flange ext. LC 120 FIR 1294<br>Flansque ext. LC 120 FIR 1294<br>Pumpengehäuse LC 120 - FIR 1294   |
| 5    | 12 40 01               | Girante LC 120 FIR 1294 50 Hz.<br>Impellor LC 120 FIR 1294 50 Hz.<br>Turbine LC 120 FIR 1294 50 Hz.<br>Pumpenflügel LC 120 FIR 1294 50 Hz.                                 |

**E3 wolk**

POMPA  
WASH PUMP  
POMPE  
ELEKTROPUMPE

mod. R:  
497 - 499 - 501  
503 - 505 - 507

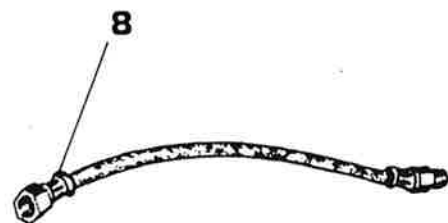
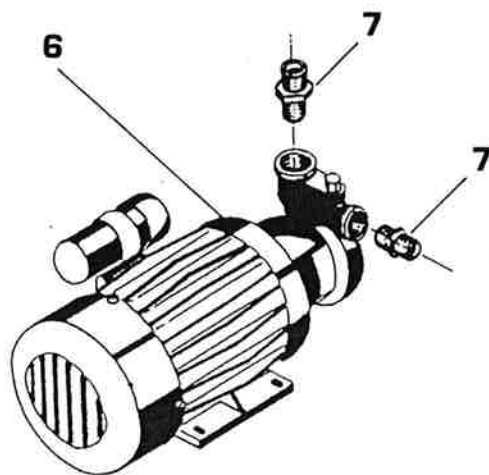
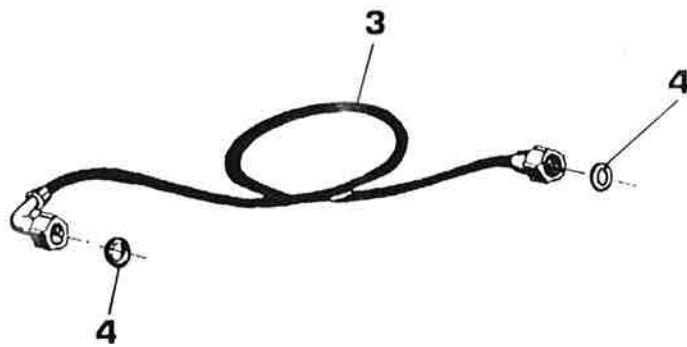
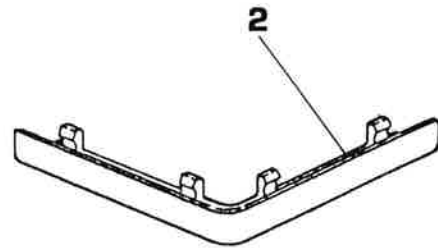
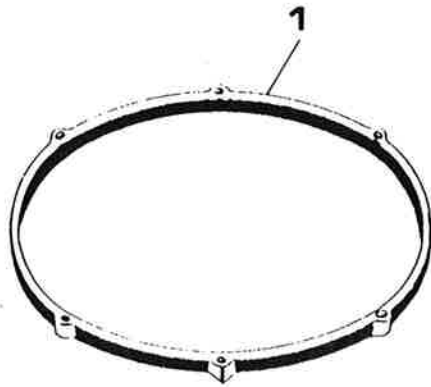
100

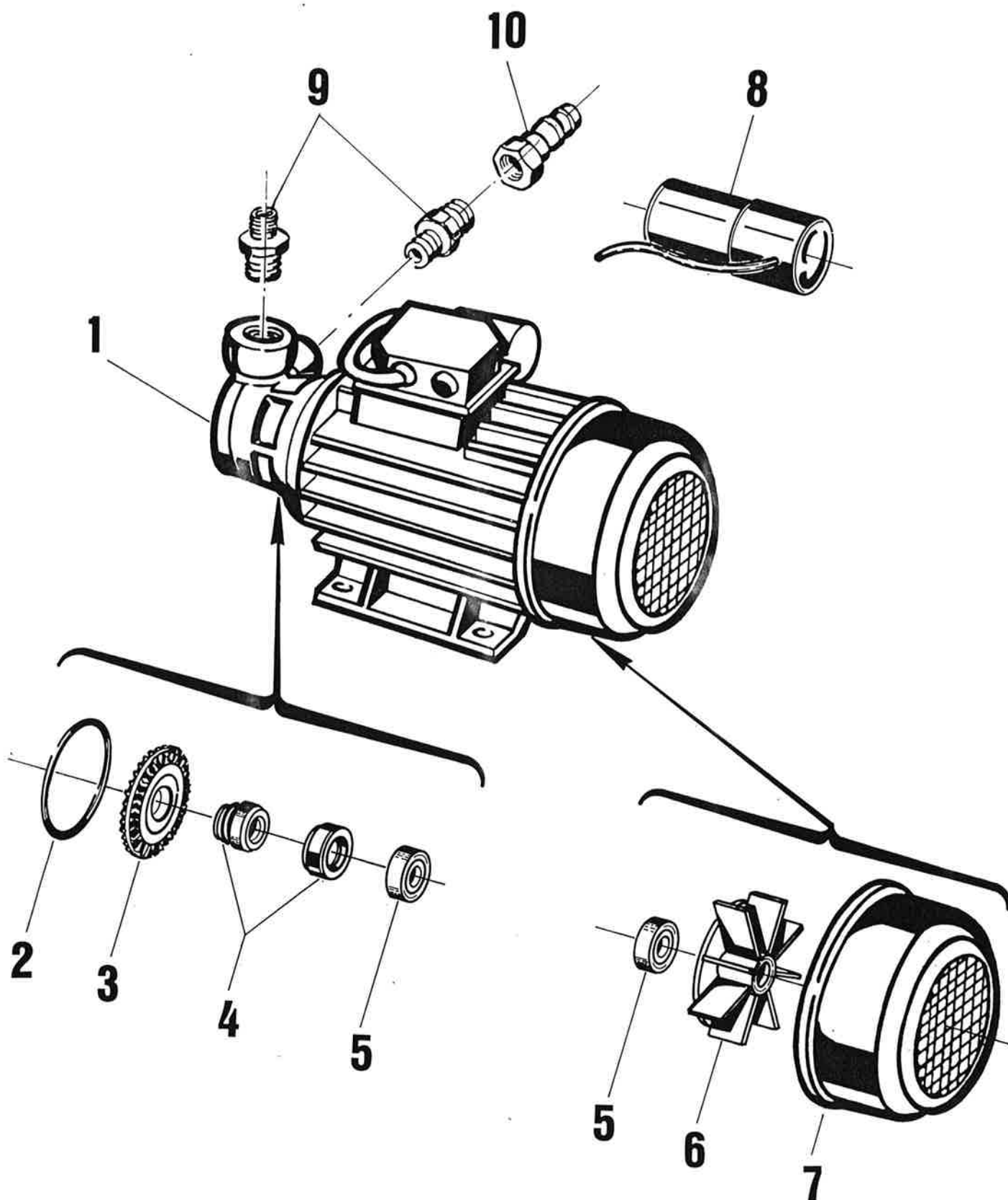
10/87

| POS. | CODICE<br>CODE<br>KODE | DESCRIZIONE - DESCRIPTION - BESCHREIBUNG  |
|------|------------------------|---|
| 5    | 12 40 20               | Girante LC 120 60 Hz.<br>Impellor LC 120 60 Hz.<br>Turbine LC 120 60 Hz.<br>Pumpenflügel LC 120 60 Hz.            |
| 6    | 45 60 24               | OR LC 120 FIR 1294<br>O-ring LC 120 FIR 1294<br>Joint thorique LC 120 FIR 1294<br>O-Ring Dichtung LC 120 FIR 1294 |
| 7    | 14 10 02               | Tenuta meccanica LC 120<br>Seal LC 120<br>Presse etoupe LC 120<br>Gleitringdichtung LC 120                        |
| 7    | 14 10 01               | Tenuta meccanica FIR 1294<br>Seal FIR 1294<br>Presse etoupe FIR 1294<br>Gleitringdichtung FIR 1294                |
| 8    | 31 40 02               | Cuscinetto LC 120<br>Bearing LC 120<br>Roulement LC 120<br>Kugellager LC 120                                      |
| 8    | 31 40 01               | Cuscinetto FIR 1294<br>Bearing FIR 1294<br>Roulement FIR 1294<br>Kugellager FIR 1294                              |

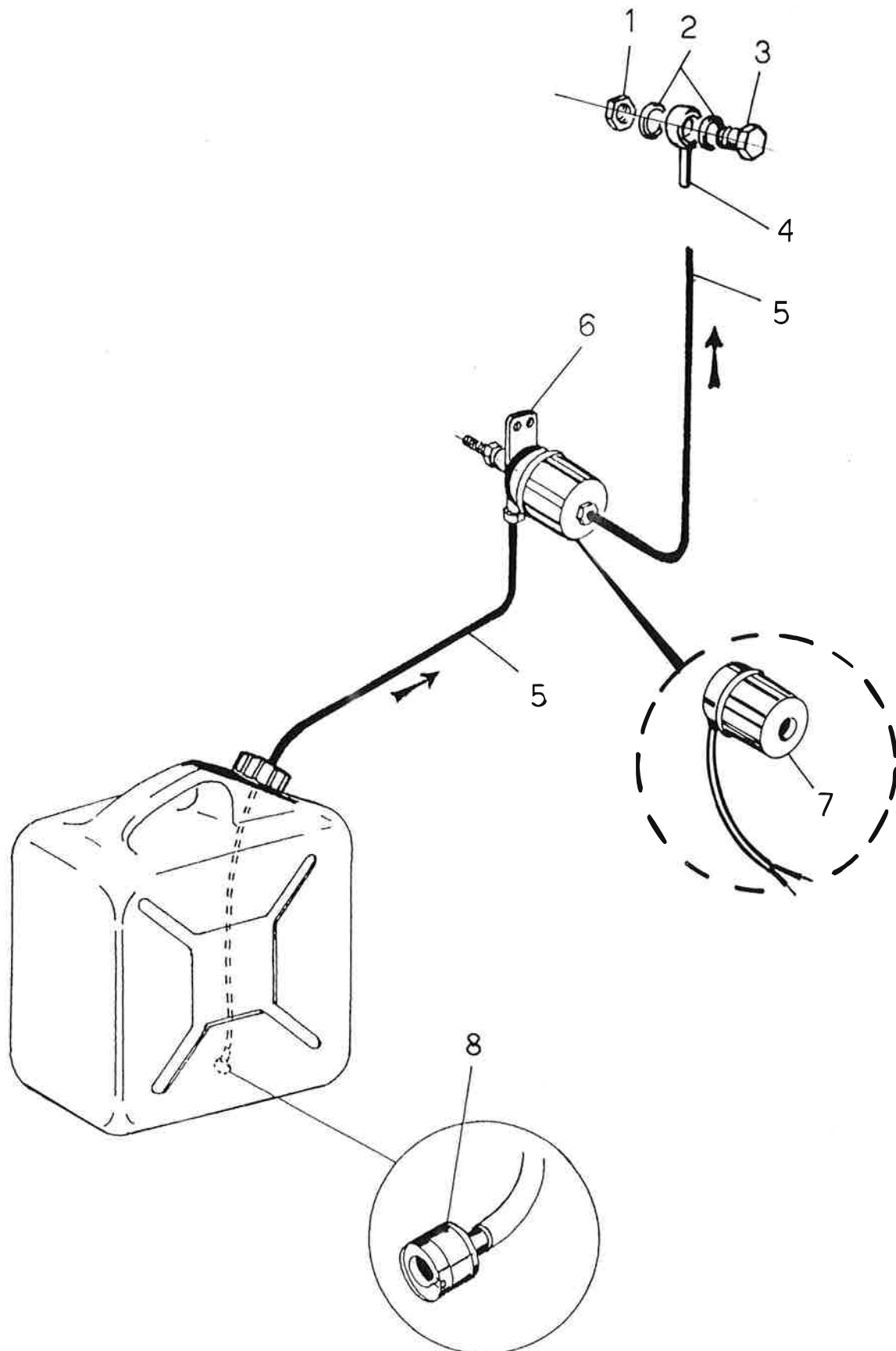
**E3 wolk**







| POS. | CODICE<br>CODE<br>KODE | DESCRIZIONE - DESCRIPTION - BESCHREIBUNG  |   |
|------|------------------------|---|---|
| 1    | 13 00 13               | Pompa ausiliaria Dab K 30 HP 0,4<br>Rinse booster pump Dab K 30 HP 0,4<br>Pompe rincage Dab K 30 HP 0,4<br>Nachspülpumpe Dab K 30 HP 0,4          | 220/50/1<br>Per tutti i modelli<br>For all the models<br>Tous modeles<br>Für alle Modelle |
| 1    | 13 00 52               | Pompa ausiliaria Dab K 30 HP 0,4<br>Rinse booster pump Dab K 30 HP 0,4<br>Pompe rincage Dab K 30 HP 0,4<br>Nachspülpumpe Dab K 30 HP 0,4          | 240/50/1<br>Per tutti i modelli<br>For all the models<br>Tous modeles<br>Für alle Modelle |
| 2    | 45 60 37               | OR K 30<br>O-ring K 30<br>Joint thorique K 30<br>O-Ring Dichtung K 30   |   |
| 3    | 12 40 15               | Girante K 30<br>Impellor K 30<br>Turbine K 30<br>Pumpenflügel K 30  |   |
| 4    | 14 10 02               | Tenuta meccanica K 30<br>Seal K 30<br>Presse etoupe K 30<br>Gleitringdichtung K 30  |   |
| 5    | 31 40 01               | Cuscinetto K 30<br>Bearing K 30<br>Roulement K 30<br>Kugellager K 30  |   |
| 6    | 33 50 07               | Ventola K 30<br>Fan K 30<br>Turbine de refroidissement K 30<br>Flügel K 30  |   |
| 7    | 31 30 08               | Copriventola K 30<br>Fan protection K 30<br>Protection turbine K 30<br>Flügelschutz K 30  |   |
| 8    | 20 60 01               | Condensatore K 30<br>Condenser K 30<br>Condensateur K 30<br>Kondensator K 30  |   |
| 9    | 46 80 26               | Raccordo K 30<br>Connection K 30<br>Raccord K 30<br>Anschluss K 30  |   |
| 10   | 45 30 02               | Raccordo pompa ausiliaria Dab K 30<br>Rinse booster pump connection Dab K 30<br>Raccord pompe rincage Dab K 30<br>Nachspülpumpeanschluss Dab K 30 | Mod. S 850 - 870 - 950  |



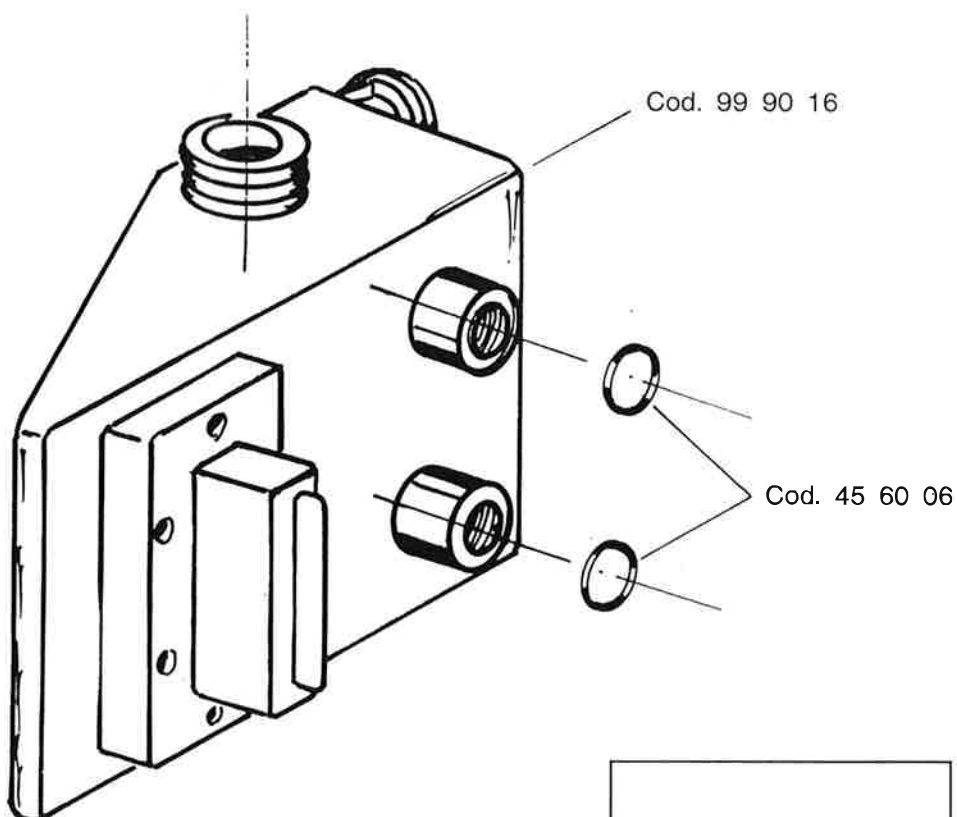
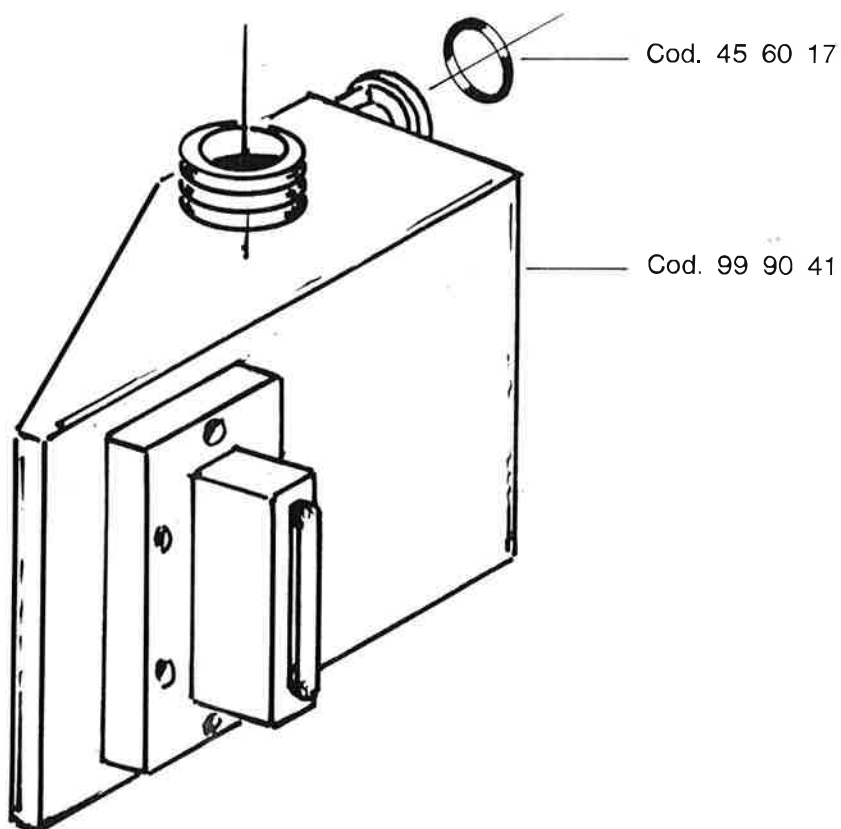


DOSATORE SAPONE  
LIQUID DETERGENT DISPENSER  
DOSEUR DU PRODUIT DE LAVAGE  
SPUELMITTEL-DOSIERGERAET

121

10/87

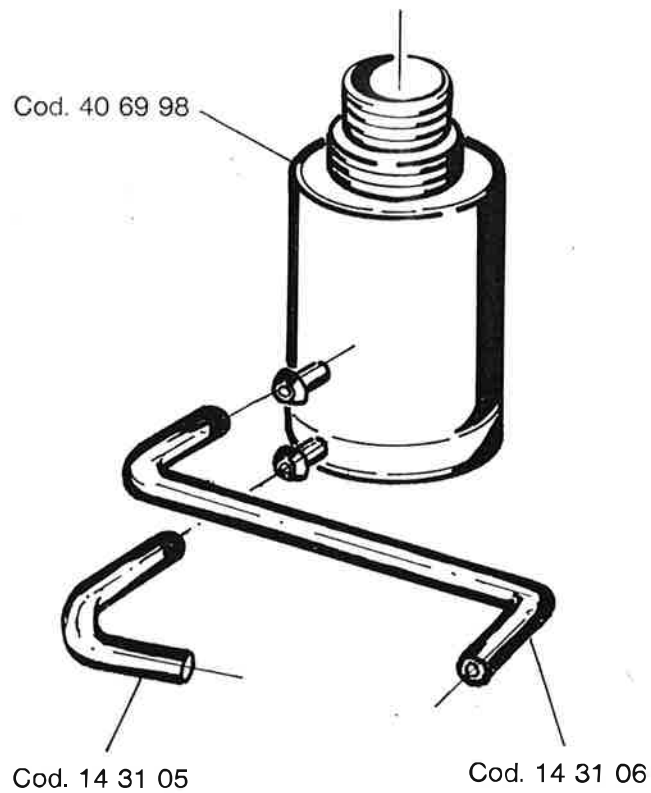
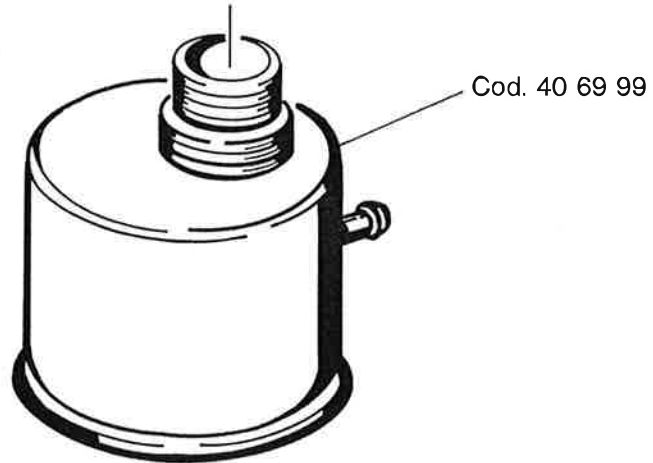
| POS. | CODICE<br>CODE<br>KODE | POS. | CODICE<br>CODE<br>KODE | POS. | CODICE<br>CODE<br>KODE | POS. | CODICE<br>CODE<br>KODE |
|------|------------------------|------|------------------------|------|------------------------|------|------------------------|
| 1    | 41 70 16               |      |                        |      |                        |      |                        |
| 2    | 43 70 07               |      |                        |      |                        |      |                        |
| 3    | 46 80 24               |      |                        |      |                        |      |                        |
| 4    | 46 80 23               |      |                        |      |                        |      |                        |
| 5    | 14 30 14               |      |                        |      |                        |      |                        |
| 6    | 98 70 12               |      |                        |      |                        |      |                        |
| 7    | 20 10 18               |      |                        |      |                        |      |                        |
| 8    | 98 60 02               |      |                        |      |                        |      |                        |



NUOVO  
NEW  
NOUVEAU  
NEU

DA MATRICOLA N° 68473  
DE MATRICULE NR. 68473  
FROM SERIAL NO. 68473  
AB MASCHINEN NR. 68473

**E3 wolk**



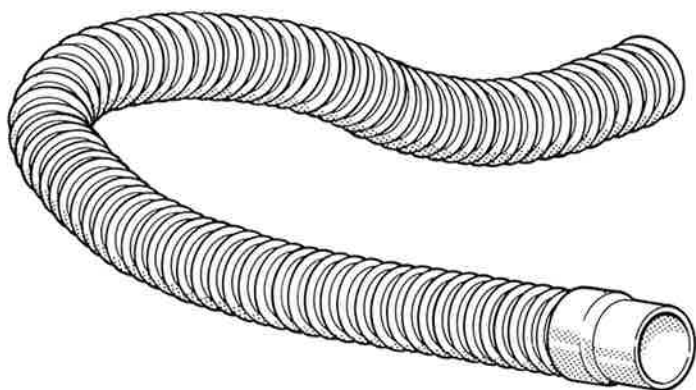
**NUOVO  
NEW  
NEU  
NOUVEAU**

DA MATRICOLA N° 92582  
FROM SERIAL NO. 92582  
AB MASCHINEN NR. 92582  
DU MATRICULE NO. 92582



Cod. 14 30 16 3/4 Gas mt 1,5  
Mod. R 497 - 499 - 501  
503 - 505 - 507  
S 621 - 623 - 624 - 626  
631 - 633 - 634 - 636

Cod. 14 31 12 3/4 Gas mt 1,5  
Mod. S 651 - 654 - 810 - 815  
830 - 835 - 850 - 870 - 950



Cod. 14 31 20 Ø 25 mt 1,5  
Mod. R 497 - 499 - 501  
503 - 505 - 507  
S 621 - 623 - 624 - 626  
631 - 633 - 634 - 636

Cod. 14 31 21 Ø 38 mt 1,5  
Mod. S 651 - 654 - 810 - 815  
830 - 835 - 850 - 870 - 950