

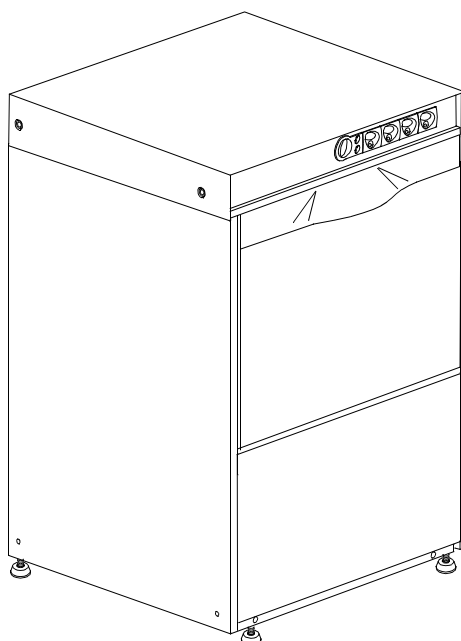
DISHWASHER

ELECTROMECHANICAL SWITCHES
LOWER AND UPPER WASHING

TYPE: 295U

Accessories
BREAK TANK
BOOSTER PUMP
DVGW
COLD RINSE
WATER SOFTNER
DETERGENT DISPENSER
DRAIN PUMP

Spare parts manual



1. Spare parts

General body parts.....	7
Lockup system	9
Control panel	11
Control electric components.....	13
Solenoid valve group	15
Break Tank	19
Booster pump.....	21
DVGW	23
Water softner group.....	25
Shining product dosing device group .	27
Boiler group	29
3 ways derivation.....	31
Wash pump	33
Dosing device group	35
Dosing device group	37
Drain pump group.....	39

Pressure switch group with air trap ...41

Turret group with rotating arms43

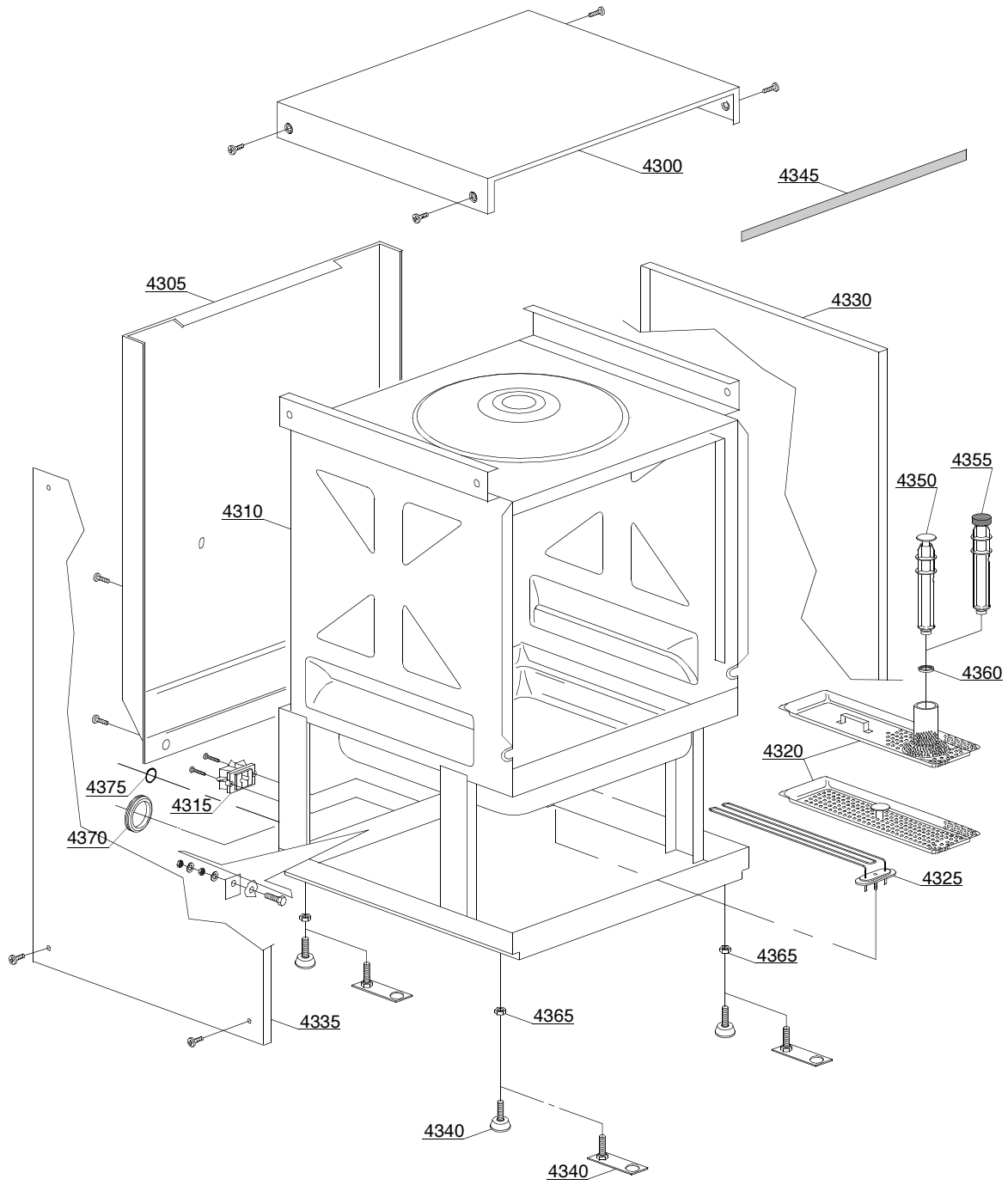
1.1 Voltage codes

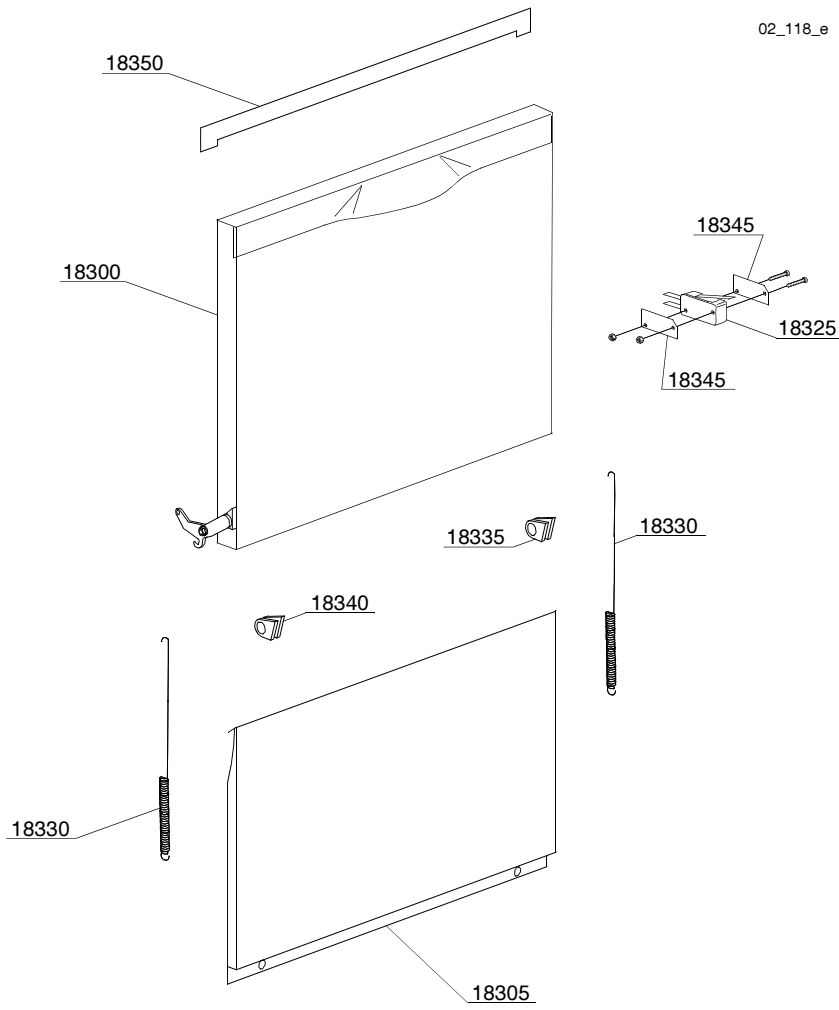
Voltage code	Voltage
A	3/N/PE~400/230V 50Hz
B	~250V 16A 50Hz
C	3/N/PE~380/220V 50Hz
D	3/PE~200V 50-60Hz
F	2/PE 220-240V 50Hz
G	3/N/PE~415/240V 50Hz
H	3/PE~230V 50Hz
I	3/PE~220V 60Hz
J	3/PE~380 50Hz
K	3/PE~400V 50Hz
L	3/PE~415V 50Hz
M	3/PE~440V 60Hz
N	3/PE~460V 60Hz
O	3/PE~480V 60Hz
P	1/N/PE~220-240V 50Hz
R	2/PE~220-230V 60Hz
S	3/N/PE~400/230V 50Hz
T	3/PE~230V 60Hz

1.2 Product codes

Product code	Full name
Model codes	
em	ELECTROMECHANICAL SWITCHES
ls	LOWER AND UPPER WASHING
Type codes	
295U	295U
Accessory codes	
bt	BREAK TANK
pap	BOOSTER PUMP
dvgw	DVGW
fs	COLD RINSE
d	WATER SOFTNER
dde	DETERGENT DISPENSER
ps	DRAIN PUMP

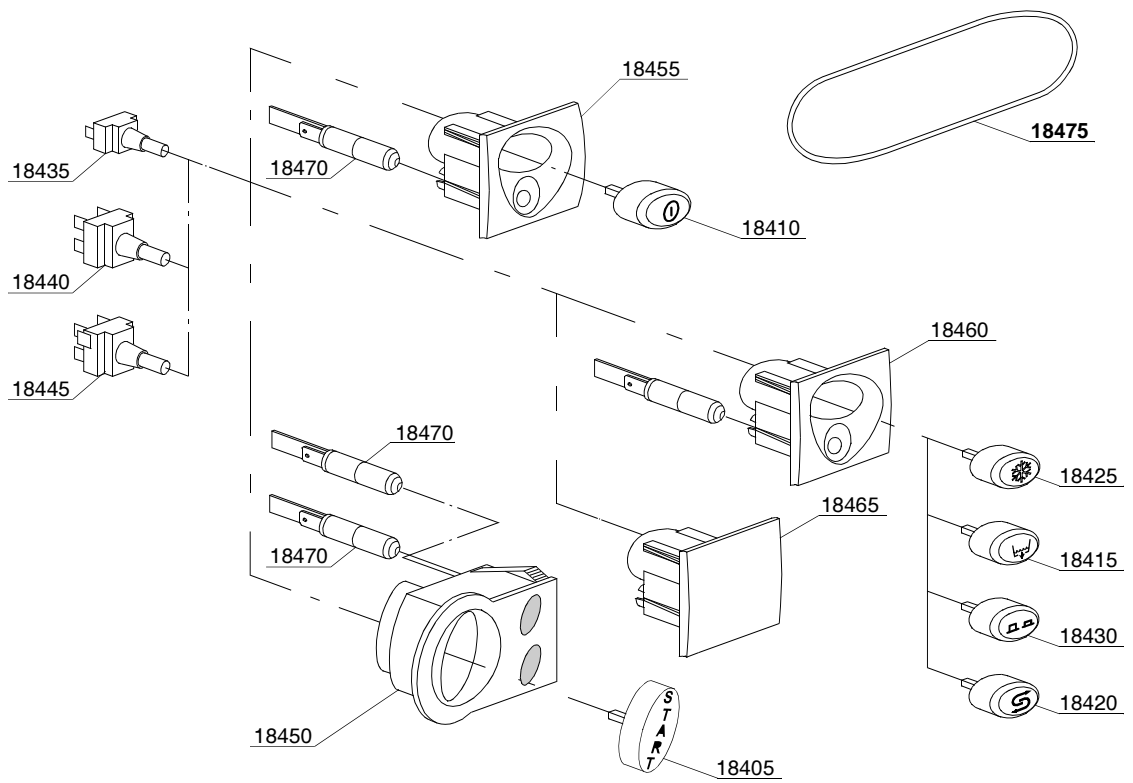
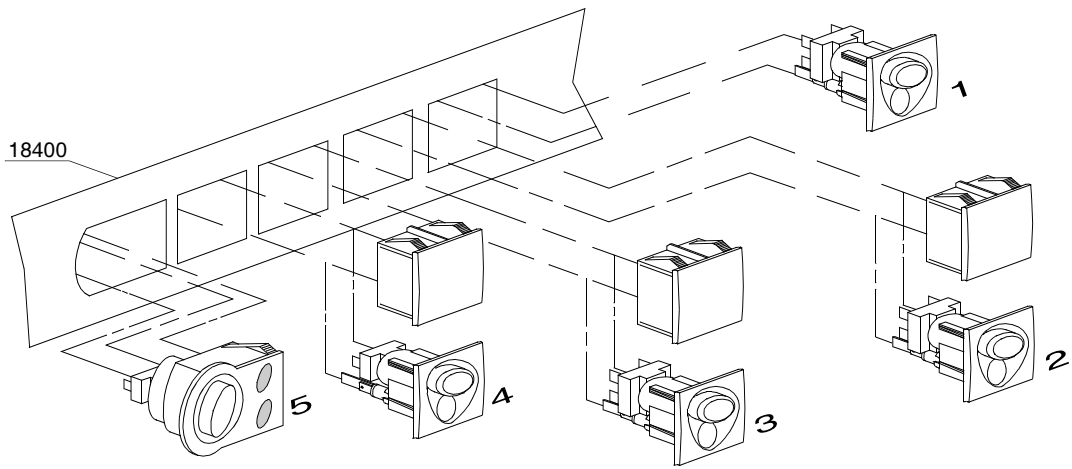
01_002_e



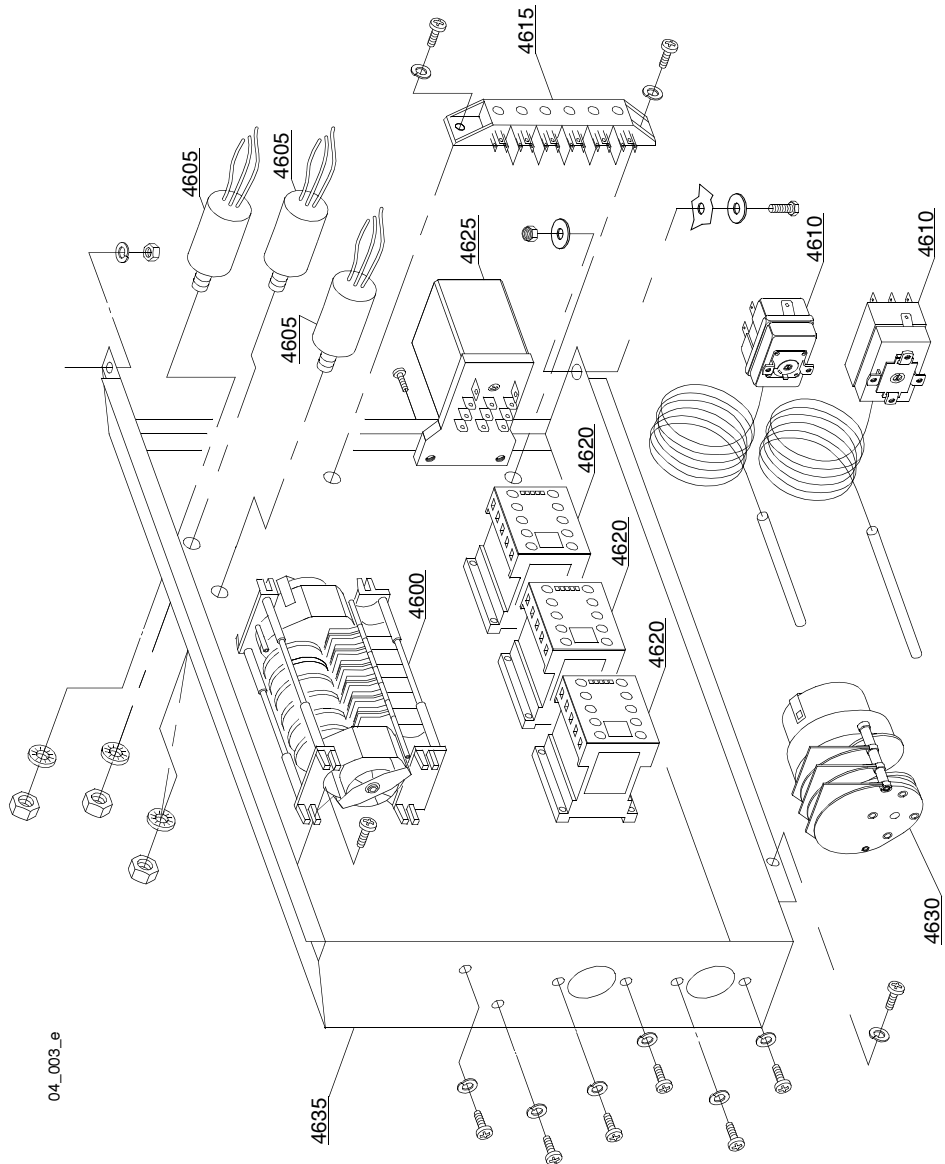


Spare parts

ID	P-code	Model	Type	Accessory	Voltage	Description
MODULE:Lockup system						
18300	560960		295U			Door with steel handle
18305	560920		295U			Lower door
18325	10704		295U			Door microswitch
18330	560003		295U			Door spring
18335	560006		295U			Right lock for door hinge
18340	560007		295U			Left lock for door hinge
18345	10770		295U			Insulating for door microswitch
18350	560021		295U			Profile for door gasket



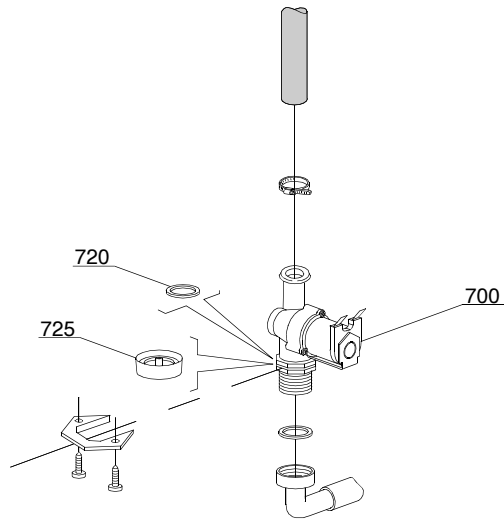
03_020_e



04_003_e

Spare parts

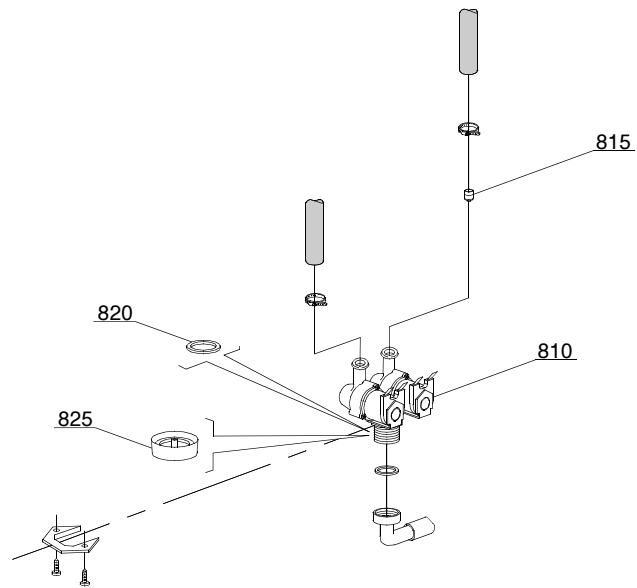
ID	P-code	Model	Type	Accessory	Voltage	Description
MODULE:Control electric components						
4600	30001027		295U		A	"120/180"" timer"
4600	30001031		295U		A	"120/180"" timer with thermostop"
4600	30001032		295U			"120/180"" - 60Hz timer with thermostop"
4605	15149		295U			Low noise filter
4610	10707/1		295U			0-90°C thermostat
4615	500551		295U			6 poles terminal board
4620	15086		295U			Remote control switch 230V 50/60Hz 4C
4620	15086/B		295U			Remote control switch
4625	16037/D		295U	ws		16A bipolar relay
4630	16064/A		295U	ws		Regeneration timer
4635	560921		295U			Electric components panel



05_002_e

Spare parts

ID	P-code	Model	Type	Accessory	Voltage	Description
MODULE:Solenoid valve group						
700	10703		295U			Single solenoid valve
720	N.C.		295U			Pression reducing valve

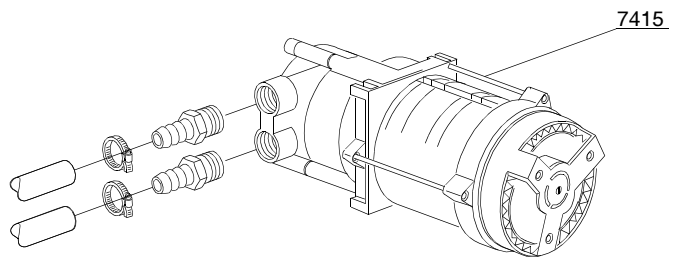
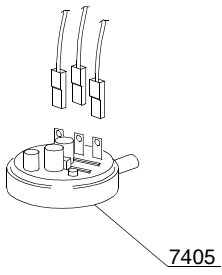
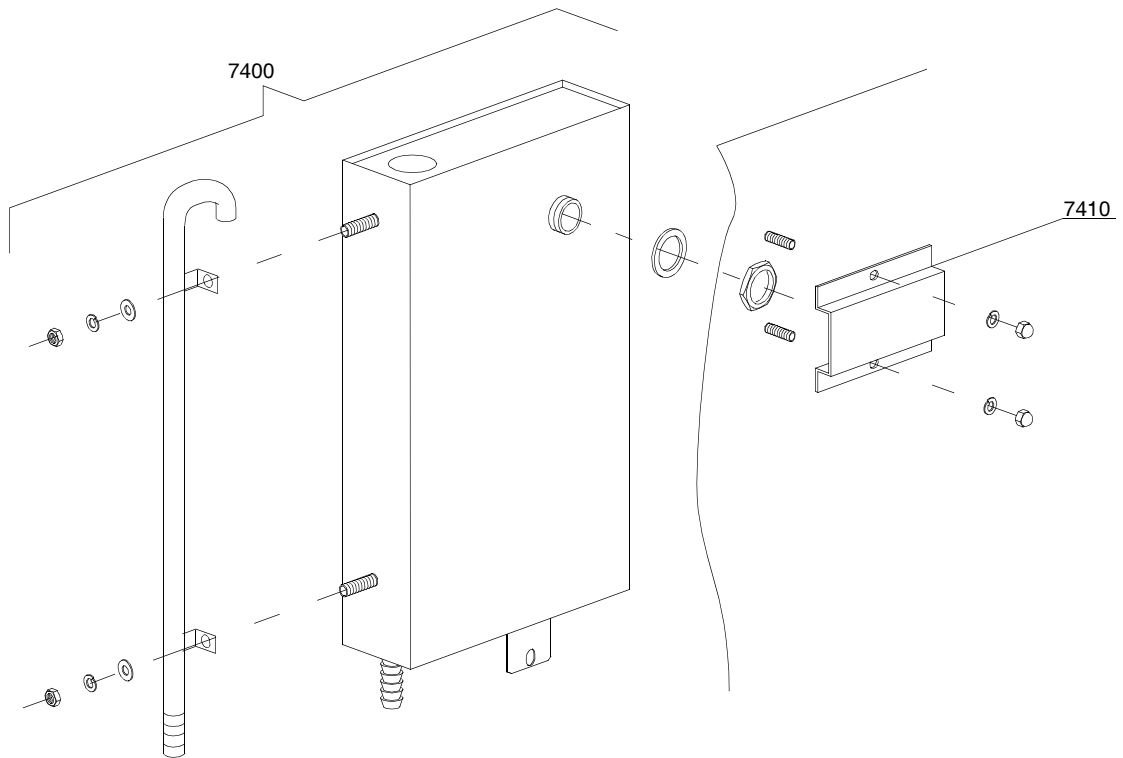


05_003_e

Spare parts

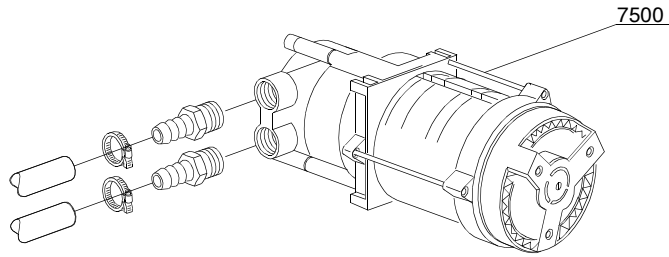
ID	P-code	Model	Type	Accessory	Voltage	Description
810	15098		295U	cr,ws		Double solenoid valve - Ø10
815	15115		295U	cr,ws		Green pression solenoid valve
820	N.C.		295U	cr,ws		Pression reducing valve

06_002_e



Spare parts

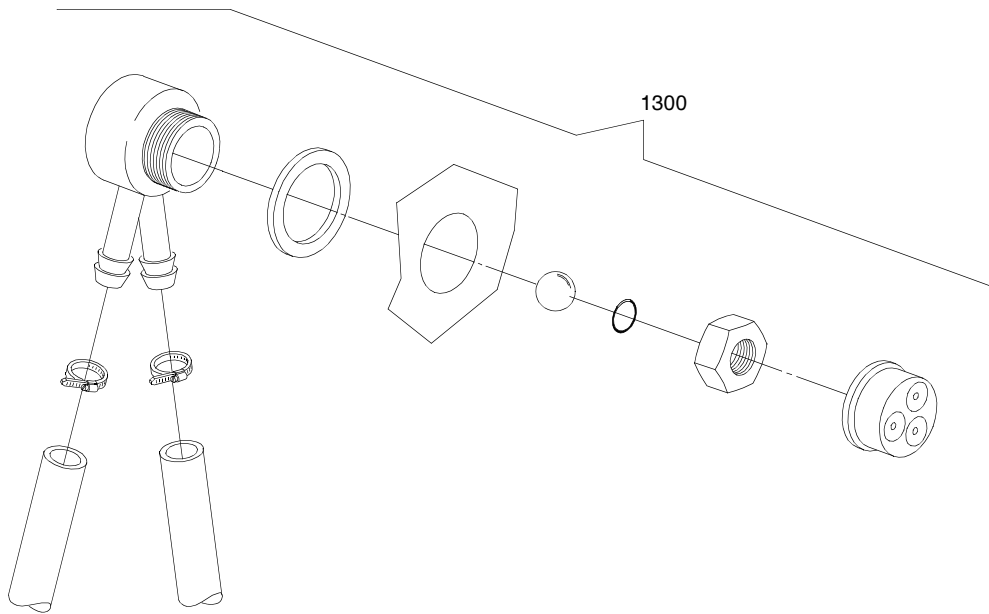
ID	P-code	Model	Type	Accessory	Voltage	Description
MODULE:Break Tank						
7400	15735		295U	bt		Break tank assembly
7405	10706/A		295U	bt		47-27 pressure switch
7410	15738		295U	bt		Hole protection
7415	15100/D		295U	bt		Booster pump



07_003_e

Spare parts

ID	P-code	Model	Type	Accessory	Voltage	Description
MODULE:Booster pump						
7500	15100/D		295U	bp		Booster pump

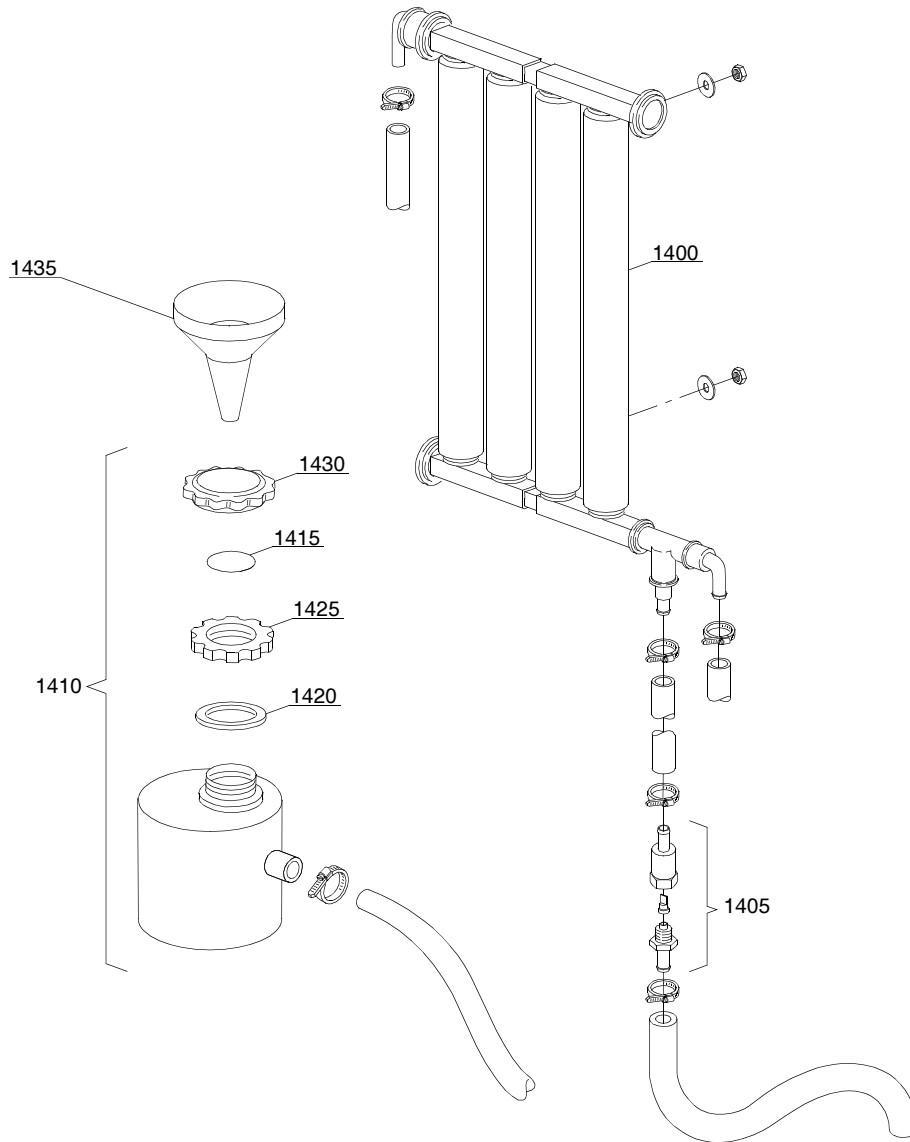


08_005_e

Spare parts

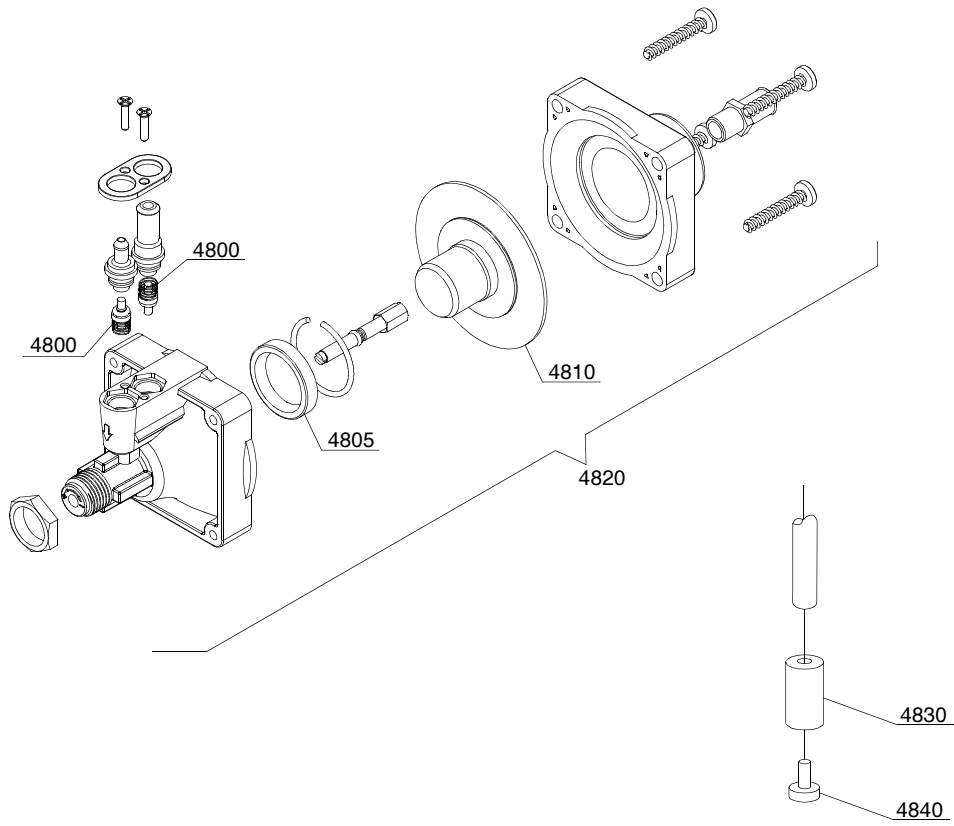
ID	P-code	Model	Type	Accessory	Voltage	Description
MODULE:DVGW						
1300	999900006		295U	dvgw		DVGW assembly

09_001_e



Spare parts

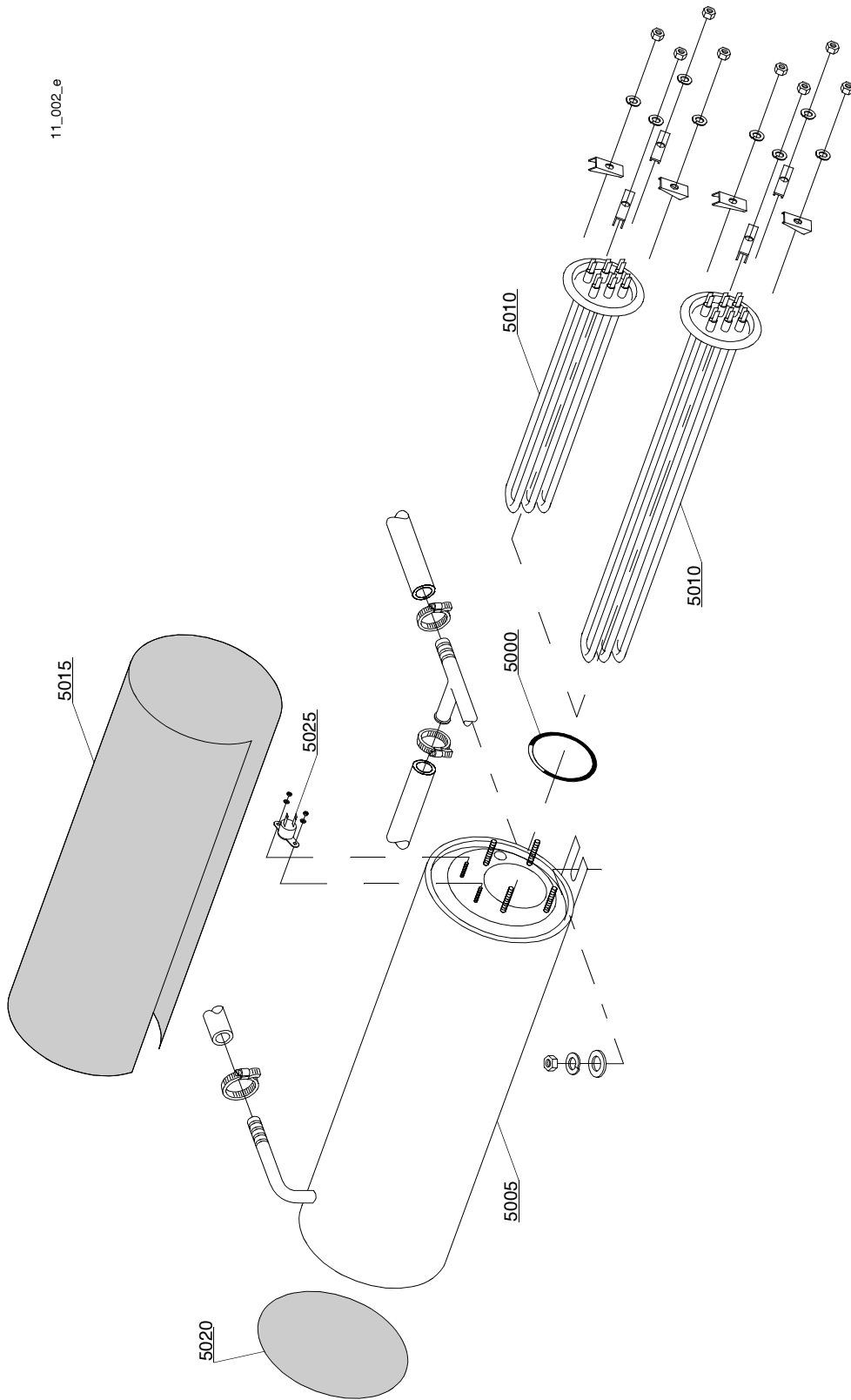
ID	P-code	Model	Type	Accessory	Voltage	Description
MODULE:Water softner group						
1400	16066		295U	ws		4 elements water softner
1405	16070		295U	ws		Nonreturn valve
1410	16065		295U	ws		Salt container
1415	16067/A		295U	ws		OR gasket
1420	16067/B		295U	ws		Gasket
1425	16067/C		295U	ws		Ring nut
1430	16067/D		295U	ws		Plug
1435	16082		295U	ws		Funnel



10_004_e

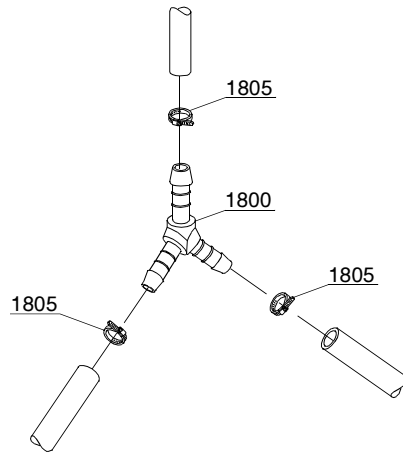
Spare parts

ID	P-code	Model	Type	Accessory	Voltage	Description
MODULE:Shining product dosing device group						
4800	10805		295U			Tecnopro dosing valve
4805	10806		295U			Ø22 gasket
4810	10807		295U			Membrane
4820	10799		295U			Shining product dosing device
4830	12525		295U			Counter-weight
4840	15058		295U			Small filter



Spare parts

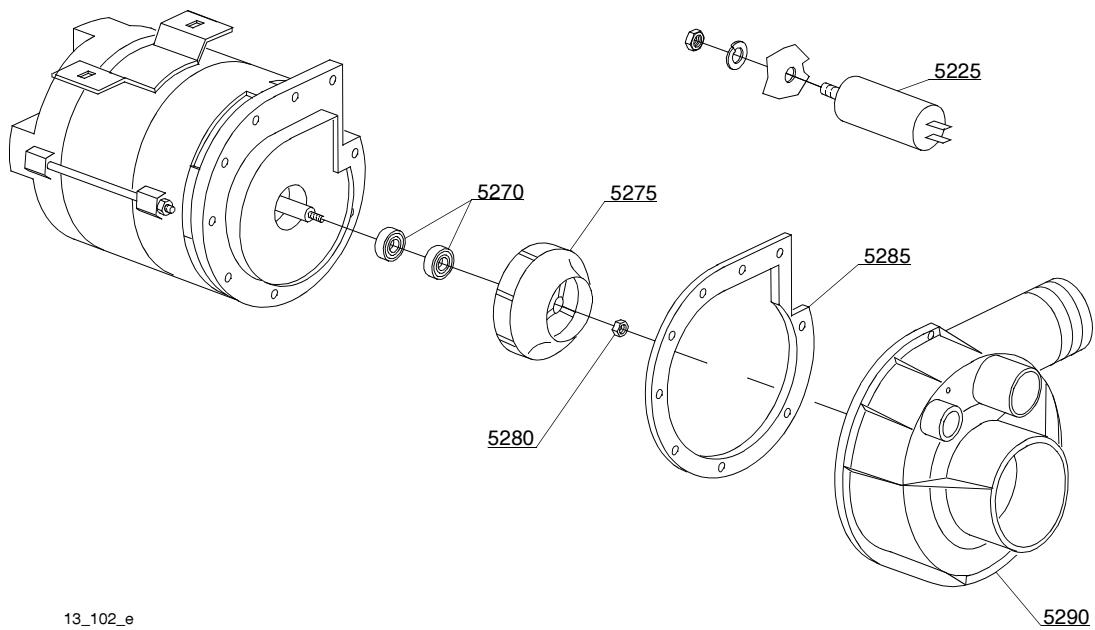
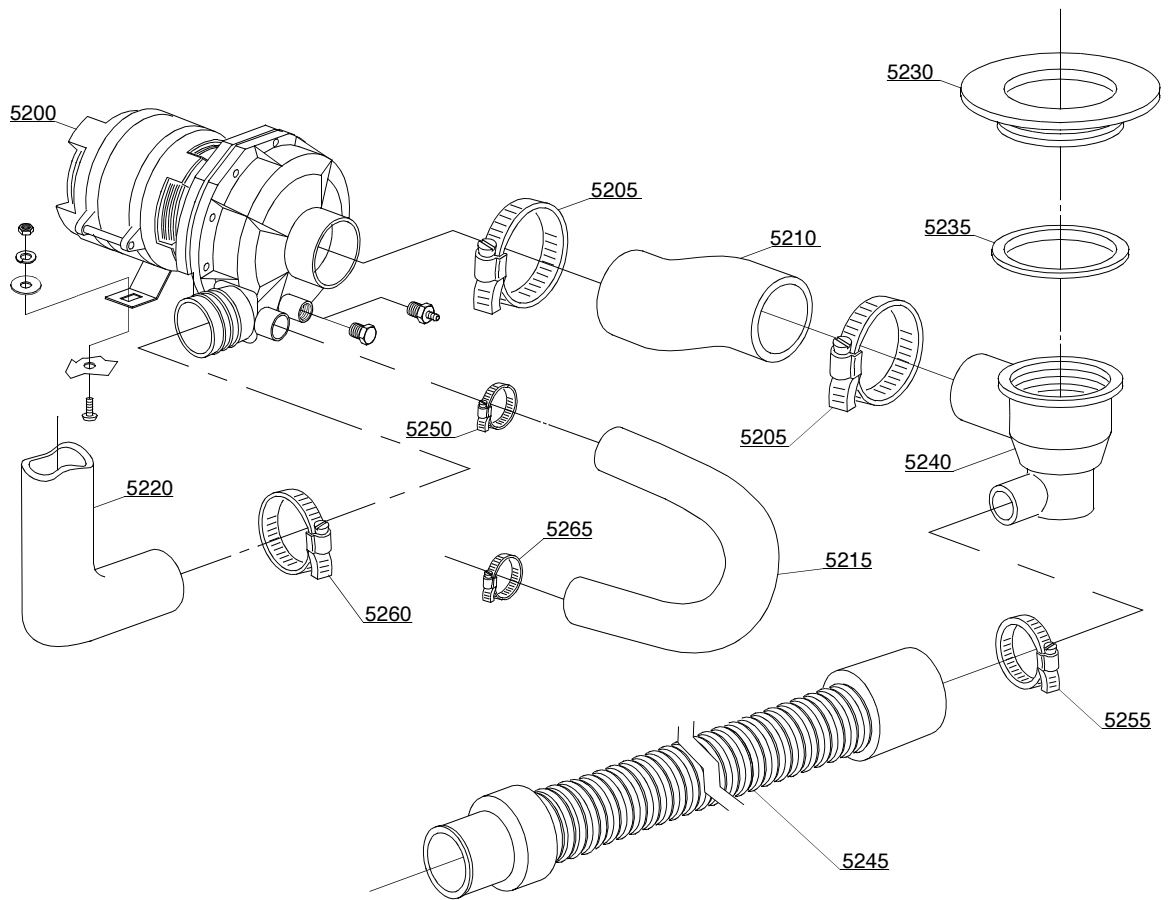
ID	P-code	Model	Type	Accessory	Voltage	Description
MODULE:Boiler group						
5000	13005		295U			OR 151 NBR gasket
5005	150905		295U			Boiler
5010	15046		295U			3KW heating element
5015	15066		295U			Insulating boiler
5020	15205		295U			Ø160 bottom
5025	15550		295U			Safety thermostat



12_003_e

Spare parts

ID	P-code	Model	Type	Accessory	Voltage	Description
MODULE:3 ways derivation						
1800	540091		295U			Ø12 mm plastic 3 ways derivation
1805	11807		295U			12/22 clamp

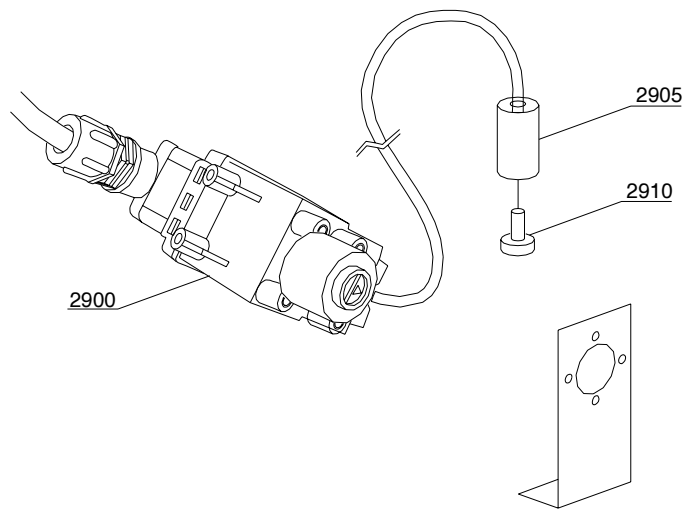
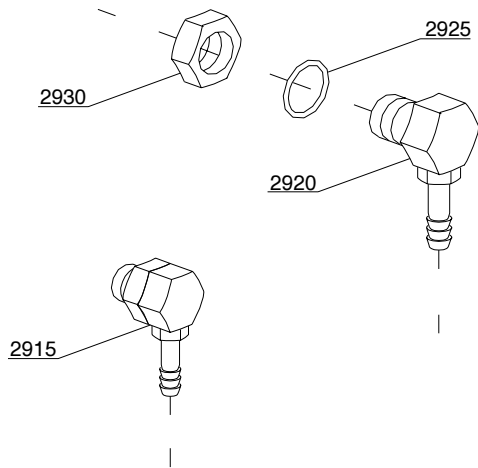


13_102_e

Spare parts

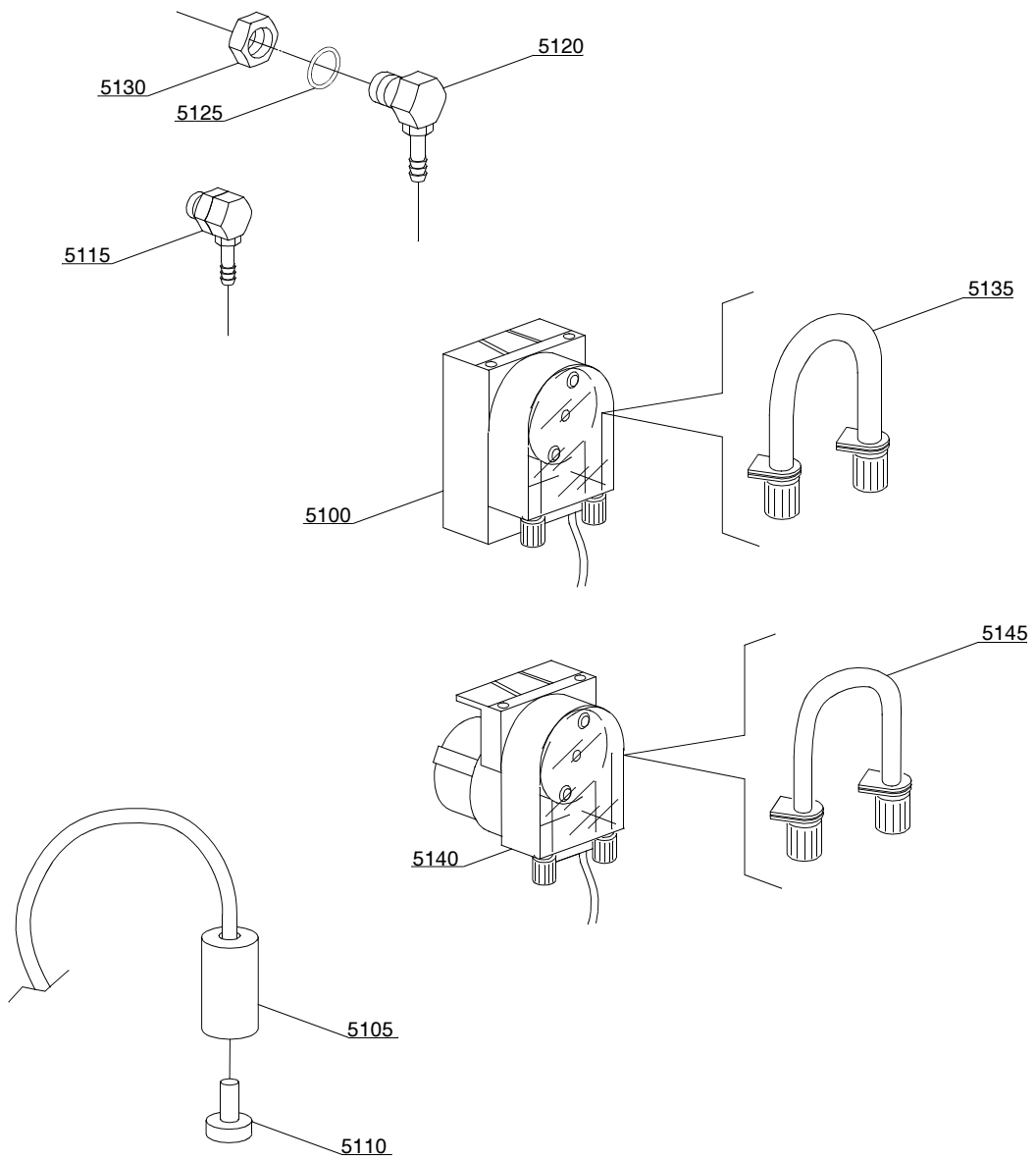
ID	P-code	Model	Type	Accessory	Voltage	Description
MODULE:Wash pump						
5200	15908/A		295U		A	0,75Hp wash pump
5200	15908/M		295U		I	0,75Hp - 60Hz wash pump
5205	11824		295U			50/70 clamp
5210	25032		295U			Suction pipe coupling
5215	560014		295U			Pump/lower wash turret delivery pipe
5220	560008		295U			Top delivery pipe
5225	15081		295U			12,5 uF condenser
5230	500601		295U			Ring nut
5235	80208		295U			95x75x3 gasket
5240	500606		295U			Right side scrap tray
5245	10727		295U			Drain pipe
5250	11806		295U			25/40 clamp
5255	11807		295U			12/22 clamp
5260	11810		295U			40/60 clamp
5265	11809		295U			30/45 clamp
5270	15080/C		295U			Rotating seals
5275	15079/B		295U			Pump rotor
5280	11724		295U			M6 stainless steel nut
5285	15079/D		295U			Gasket
5290	15031/E		295U			Scroll

14_002_e



Spare parts

ID	P-code	Model	Type	Accessory	Voltage	Description
MODULE:Dosing device group						
2900	15108/L		295U	dd		Lang dosing device
2905	12525		295U	dd		Counter-weight
2910	15058		295U	dd		Small filter
2915	15123		295U	dd		Compleat plastic injector
2920	15148		295U	dd		Steel injector
2930	10200205		295U	dd		M12x1 stainless steel nut

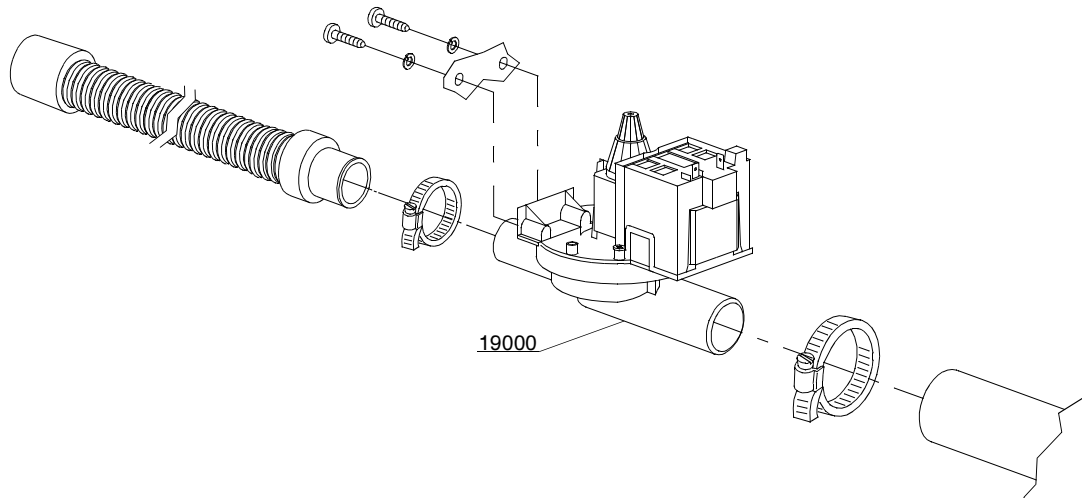


14_004_e

Spare parts

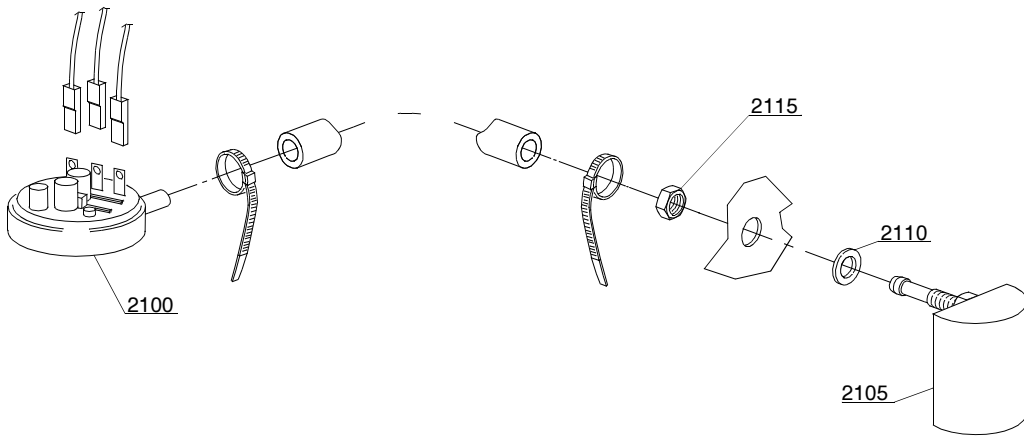
ID	P-code	Model	Type	Accessory	Voltage	Description
MODULE:Dosing device group						
5100	15985		295U	dd		Seko dosing device
5105	12525		295U	dd		Counter-weight
5110	15058		295U	dd		Small filter
5115	15123		295U	dd		Complet plastic injector
5120	15148		295U	dd		Steel injector
5125	15159		295U	dd		OR gasket
5130	10200205		295U	dd		M12x1 stainless steel nut
5135	15185		295U	dd		Seko thermoplastic pipe
5140	15985		295U	dd		Germac dosing device
5145	15108/E		295U	dd		Germac thermoplastic pipe

15_002_e



Spare parts

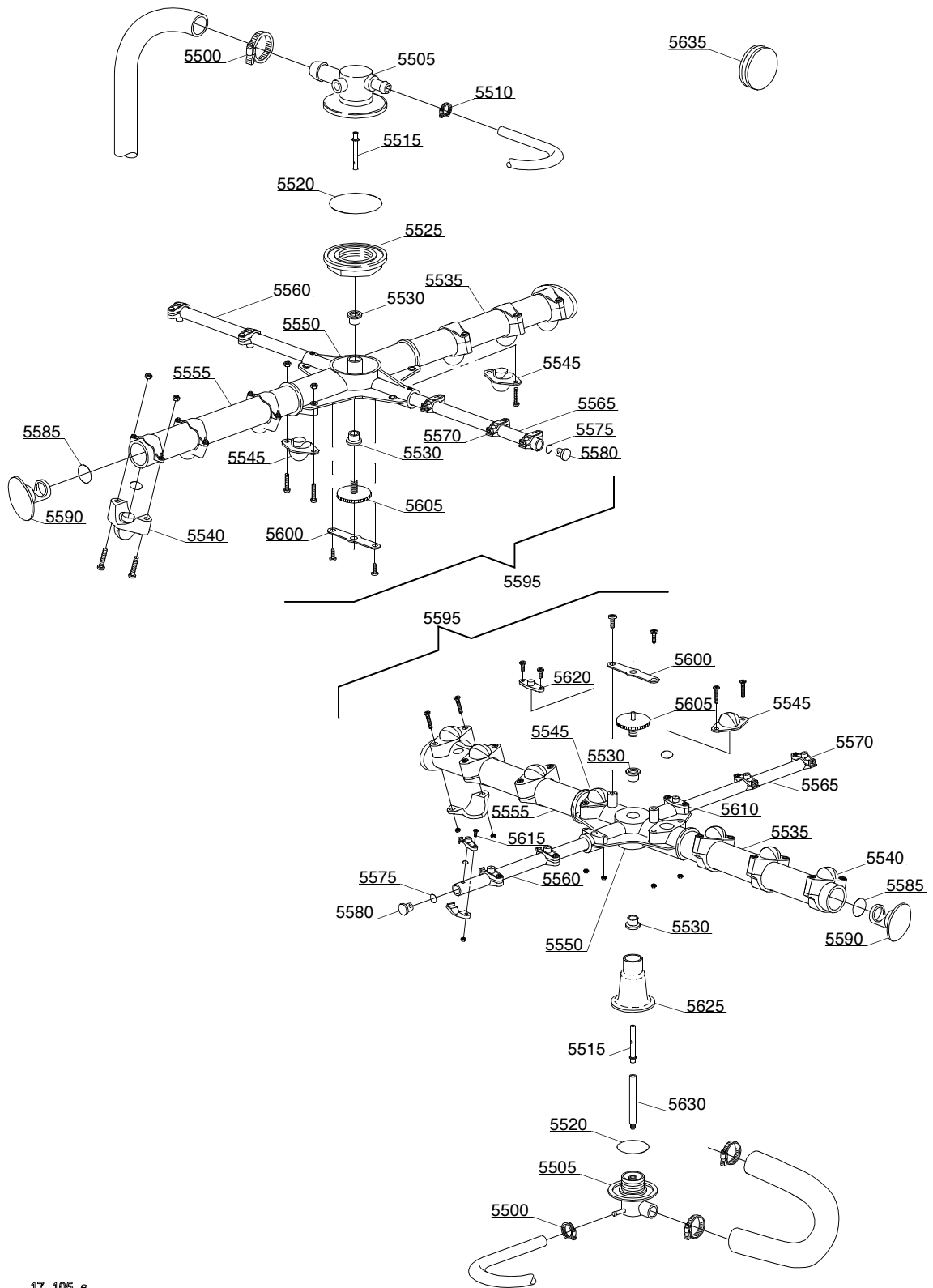
ID	P-code	Model	Type	Accessory	Voltage	Description
MODULE:Drain pump group						
19000	15101/A		295U	dp	A	Drain pump - 50Hz
19000	15101/B		295U	dp		Drain pump - 60Hz



16_001_e

Spare parts

ID	P-code	Model	Type	Accessory	Voltage	Description
MODULE:Pressure switch group with air trap						
2100	10706/A		295U			47-27 pressure switch
2105	10911/D		295U			Air trap assembly
2110	13301		295U			Gasket
2115	11702		295U			M8 stainless steel nut



17_105_e

Spare parts

ID	P-code	Model	Type	Accessory	Voltage	Description
MODULE:Turret group with rotating arms						
5500	11806		295U			25/40 clamp
5505	500612		295U			Top/lower turret
5510	11807		295U			12/22 clamp
5515	15300		295U			Ø10x51 lower/top rinse axle
5520	13015		295U			6225 OR 160 NBR gasket
5525	500610		295U			Ring nut for fixing turret
5530	13319		295U			Sliding washer
5535	15571		295U			Ø28 right wash pipe
5540	10211		295U			Ø28 raised nozzle
5545	10218		295U			Ø28 opened plane nozzle
5550	10209		295U			4 ways big rotor
5555	15572		295U			Ø28 left wash pipe
5560	15575		295U			Right rinse pipe
5565	15576		295U			Left rinse pipe
5570	12528		295U			Ø10 complet rinse nozzle
5575	13016		295U			2018 OR 103 NBR gasket
5580	12532		295U			Ø10 plastic plug
5585	13018		295U			OR 2087 NBR gasket
5590	10257		295U			Ø28 plastic plug
5595	15956		295U			Ø28 wash/rinse group
5600	10210		295U			Blocking ring nut rotor plaque
5605	11101/I		295U			Stainless steel group fixing screw
5610	10217		295U			Ø10 closed plane nozzle
5615	11004		295U			4x10 TCB Ø8 spax toothed screw
5620	10213		295U			Ø10 opened plane nozzle
5625	560004		295U			Lower pipe coupling
5630	560005		295U			Lower rinse axle
5635	13316/A		295U			DVGW hole gasket