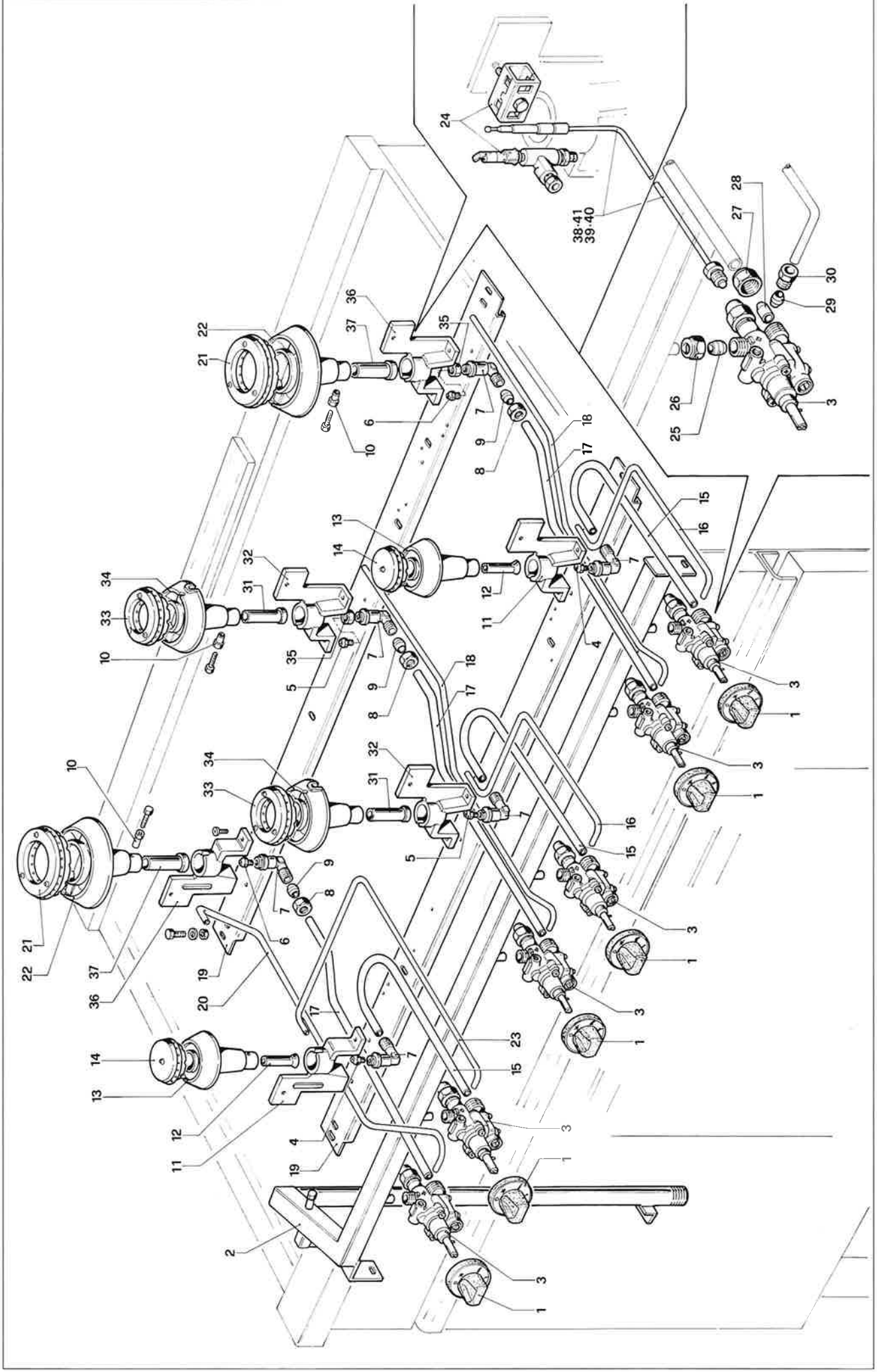


CLASSICA

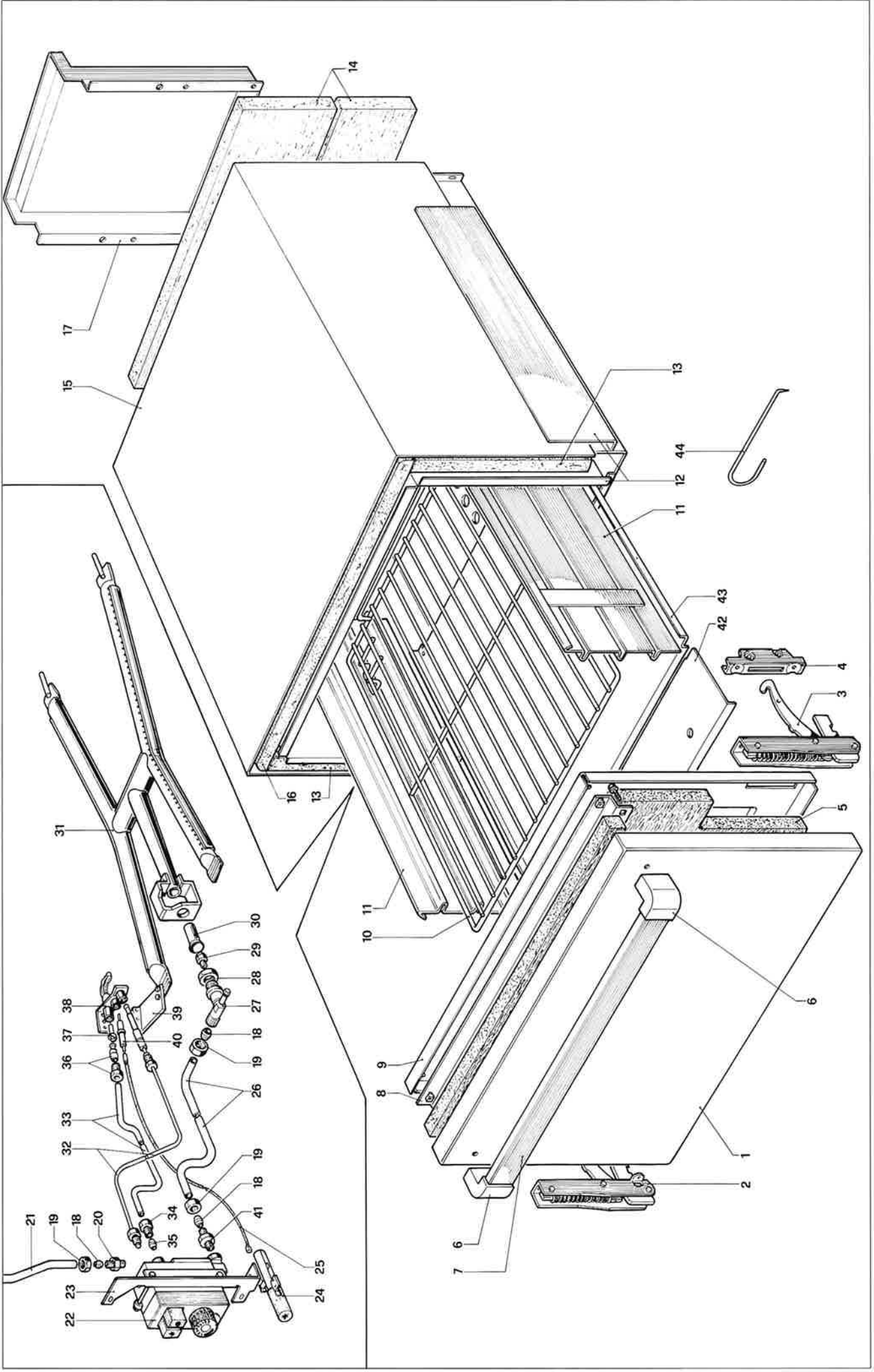
TAV. 911

	Codice	Denominazione	Denomination	Denomination	C6F
1	PACU900523	Pannello comandi (forno gas)	Panneau de contrôle (four gaz)	<i>Control panel</i>	●
1	PACU900518	Pannello comandi (forno elettrico)	Panneau de contrôle (four électrique)	<i>Control panel (electric oven)</i>	●
2	PACU900532	Pannello inferiore	Panneau inférieur	<i>Lower panel</i>	●
3	PACU900527	Pannello neutro	Panneau neutre	<i>Neutral panel</i>	●
4	RTCU800097	Guarnizione porta forno	Garniture porte du four	<i>Oven door gasket</i>	●
5	GACU900079	Facciata forno	Devanture four	<i>Oven face</i>	●
6	GACU900021	Basamento	Soubassement	<i>Base</i>	●
7	PACU900494	Maniglia raccogliogocce destra	Poignée pour ramasse gouttes droite	<i>Right collector handle</i>	●
8	PACU900143	Raccogliogocce destro piccolo	Ramasse gouttes droite	<i>Right drop collector</i>	●
9	GACU900052	Facciata cucina	Devanture cuisine	<i>Range face</i>	●
10	PACU900057	Schienale interno	Panneau postérieur intérieur	<i>Internal back panel</i>	●
11	RTCU900077	Piedino	Pied	<i>Foot</i>	●
12	PACU900146	Fianco destro	Côte droite	<i>Right side</i>	●
13	PACU900495	Maniglia raccogliogocce sinistro	Poignée pour ramasse gouttes gauche	<i>Left collector handle</i>	●
14	PACU900143	Raccogliogocce sinistro	Ramasse gouttes gauche	<i>Left drop collector</i>	●
15	PACU900511	Cruscotto	Panneau de contrôle	<i>Dash board</i>	●
16	PACU900072	Traversa portabacinella sinistra	Croisillon porte bassin gauche	<i>Left cross bar support for collector</i>	●
17	GACU900162	Corrimano	Main courante	<i>Handrail</i>	●
18	PACU900147	Fianco sinistro	Côte gauche	<i>Left side</i>	●
19	RTCU900041	Piastra radiante	Plaque radiante lisse	<i>Smooth radiating plate</i>	●
20	PACU900402	Placca laterale	Plaque latéral	<i>Lateral plate</i>	●
21	RTCU900044	Griglia di placca	Grille de plaque	<i>Plate grate</i>	●
22	RTCU900055	Griglia di riduzione	Grille de reduction	<i>Reduction grate</i>	●
23	GACU900130	Griglia camino	Grille pour la cheminée	<i>Chimney grate</i>	●
24	PACU900218	Placca centrale	Plaque central	<i>Central plate</i>	●
25	PACU900135	Posteriore inox	Panneau postérieur inox	<i>Inox backside</i>	●
26	PACU900071	Traversa portabacinella destra	Croisillon porte bassin droite	<i>Right cross bar support for collector</i>	●
27	PACU900073	Traversa porta bacinella centrale	Croisillon porte bassin central	<i>Central cross bar support for collector</i>	●



CLASSICA

TAV. 914



	Codice	Denominazione	Denomination	Denomination	C4F	C6F	C6ZF	C6FA	C8F
1	PACU900001	Porta forno	Porte du four	Oven door	●	●	●	●	●
2	RTC900027	Cerniera porta sinistra	Charnière gauche porte du four	Oven door left hinge	●	●	●	●	●
3	RTC900026	Cerniera porta destra	Charnière droite porte du four	Oven door right hinge	●	●	●	●	●
4	RTC900004	Porta rullino cerniera	Support charnière	Hinge support	●	●	●	●	●
5	PACU900004	Pannello isolante porta	Panneau isolant porte du four	Insulating panel oven door	●	●	●	●	●
6	RTC900029	Terminale maniglia	Terminal poignée	Handle terminal	●	●	●	●	●
7	PACU900005	Maniglia porta	Poignée porte four	Oven door handle	●	●	●	●	●
8	PACU900003	Distanziale porta	Entretoise porte	Door spacer	●	●	●	●	●
9	PACU900002	Controporta forno	Contre porte du four	Oven counter door	●	●	●	●	●
10	RTC800028	Griglia forno	Grille du four	Oven grate	●	●	●	●	●
11	GACU900018	Laterale forno	Panneau latéral du four	Oven lateral panel	●	●	●	●	●
12	GACU900024	Cassone forno	Caisson four	Oven covering	●	●	●	●	●
13	PACU900421	Pannello isolante laterale	Panneau isolant latéral four	Insulating lateral oven panel	●	●	●	●	●
14	PACU900422	Pannello isolante posteriore	Panneau isolant base four	Insulating posterior oven panel	●	●	●	●	●
15	PACU900069	Coprilana	Panneau couvre isolant du four	Wrapping insulating panel	●	●	●	●	●
16	PACU900068	Pannello isolante superiore	Panneau isolant superieur caisson	Insulating superior oven panel	●	●	●	●	●
17	PACU900089	Parete caminetto interno	Cheminée intérieure	Internal chimney	●	●	●	●	●
18	RTC900012	Bicono per tubo Ø 10	Bicone pour tube Ø 10	Bicone for pipe Ø 10	●	●	●	●	●
19	RTC900013	Calotta tubo Ø 10	Écrou pour tube Ø 10	Nut for pipe Ø 10	●	●	●	●	●
20	RTC900132	Niples 1/2" x 3/8"	Niples 1/2" x 3/8"	Niples 1/2" x 3/8"	●	●	●	●	●
21	PACU900095	Tubo alimentazione valvola	Tune de distribution soupape	Valve distribution pipe	●	●	●	●	●
22	RTC900064	Valvola gas	Soupape à gaz	Gas valve	●	●	●	●	●
22	RTC900063	Valvola gas	Soupape à gaz	Gas valve			●		
23	PACU900441	Squadretta sinistra porta valvola	Egierre gauche pour soupape	Left bracket to fix gas valve	●	●		●	
23	PACU900553	Squadretta destra porta valvola	Egierre droite pour soupape	Right bracket to fix gas valve			●		
23	PACU900440	Squadretta destra porta valvola	Egierre droite pour soupape	Right bracket to fix gas valve					●
24	RTC900020	Accenditore piezo	Allumage piezo	Piezolighting	●	●	●	●	●
25	RTC900384	Cavo accensione	Cable d'allumage	Lighting cable	●	●	●	●	●
26	PACU900063	Tubo alimentazione bruciatore	Tube d'alimentation brûleur four	Feeding pipe oven burner	●	●	●	●	●
27	RTC900337	Supporto iniettore forno	Support injecteur du four	Injector support	●	●	●	●	●
28	RTC900078	Controdado	Contre écrou	Lock nut	●	●	●	●	●
29	RTC900235	Iniettore Ø 1.45 K per GPL	Injecteur Ø 1.45 K pour GPL	LPG gas injector Ø 1.45 K	●	●	●	●	●
29	RTBF900017	Iniettore Ø 2.20 L per gas metano	Imjecteur Ø 2.20 L pour méthane	Methane injector Ø 2.20 L	●	●	●	●	●
30	PACU900138	Regolatore aria	Dispositif de réglage d'admission d'air	Air regulator burner	●	●	●	●	●
31	RTC900058	Bruciatore forno	Brûleur four	Oven burner	●	●	●	●	●
32	RTC900060	Termocoppia cm. 75	Thermocouple cm. 75	Thermocouple cm. 75	●	●	●	●	●
33	PACU900105	Tubo pilota forno	Tube veilleuse four	Oven pilot pipe	●	●	●	●	●
34	RTC800182	Raccordo Ø 6 per tubo pilota	Écrou Ø 6 pour veilleuse	Nut Ø 6 for pilot	●	●	●	●	●
35	RTC800183	Bicono per tubo Ø 6	Bicone pour tube Ø 6	Bicone for pipe Ø 6	●	●	●	●	●
36	RTC900217	Raccordo + bicono Ø 6	Écrou + bicone Ø 6	Nut + bicone Ø 6	●	●	●	●	●
37	RTCP800041	Iniettore pilota Ø 0.19 K per GPL	Injecteur veilleuse Ø 0.19 K pour GPL	LPG gas injector Ø 0.19 K	●	●	●	●	●
37	RTCP800040	Iniettore pilota Ø 0.36 K gas metano	Injecteur veilleuse Ø 0.36 K pour méthane	Methane injector Ø 0.36	●	●	●	●	●
38	RTCP800034	Corpo pilota 3 vie	Veilleuse 3 voies	3-ways pilot	●	●	●	●	●
39	PACU900500	Squadretta porta pilota	Egierre pour veilleuse	Bracket to fix pilot	●	●	●	●	●
40	RTCP800033	Candela rotonda	Bougie oxide tonde	Oxide spark plug	●	●	●	●	●
41	RTC900220	Raccordo 3/8"	Raccord 3/8"	Fitting 3/8"	●	●	●	●	●
42	PACU900010	Piano anteriore forno	Plan du four antérieur	Front oven plan	●	●	●	●	●
43	PACU900212	Piano forno	Plan du four	Oven plan	●	●	●	●	●
44	RTC900030	Ferro di manovra	Crochet de déplacement	Removal hook	●	●	●	●	●