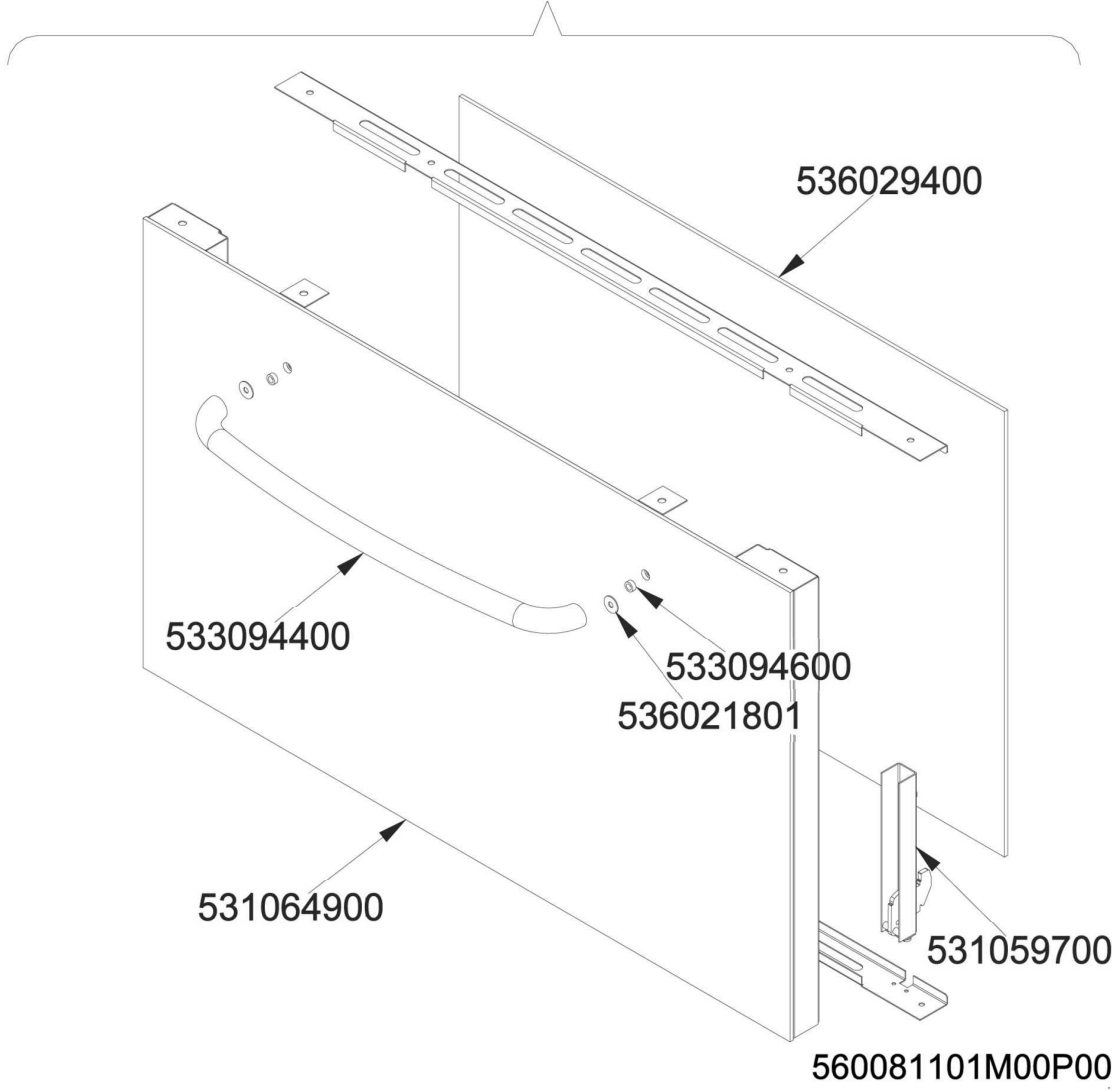
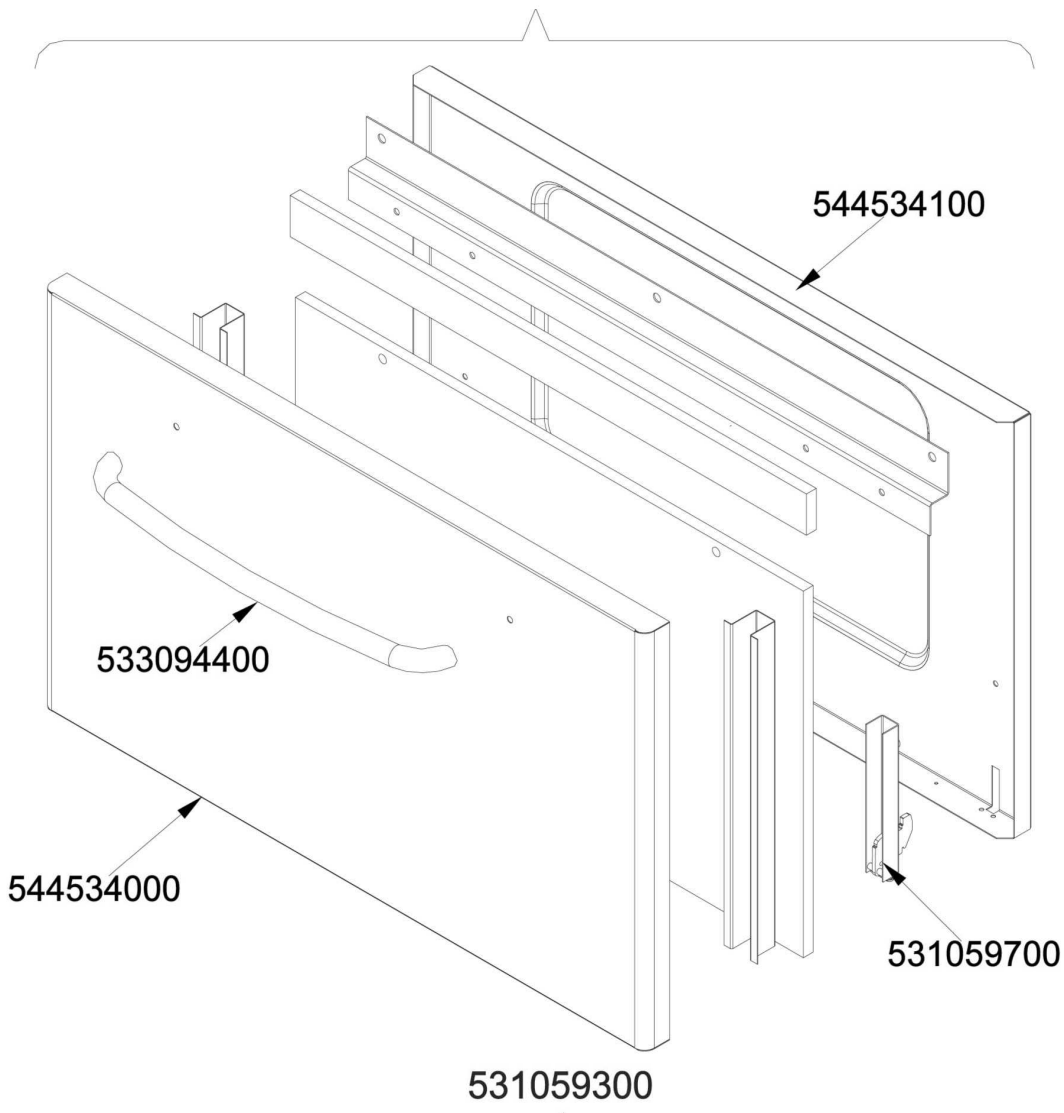
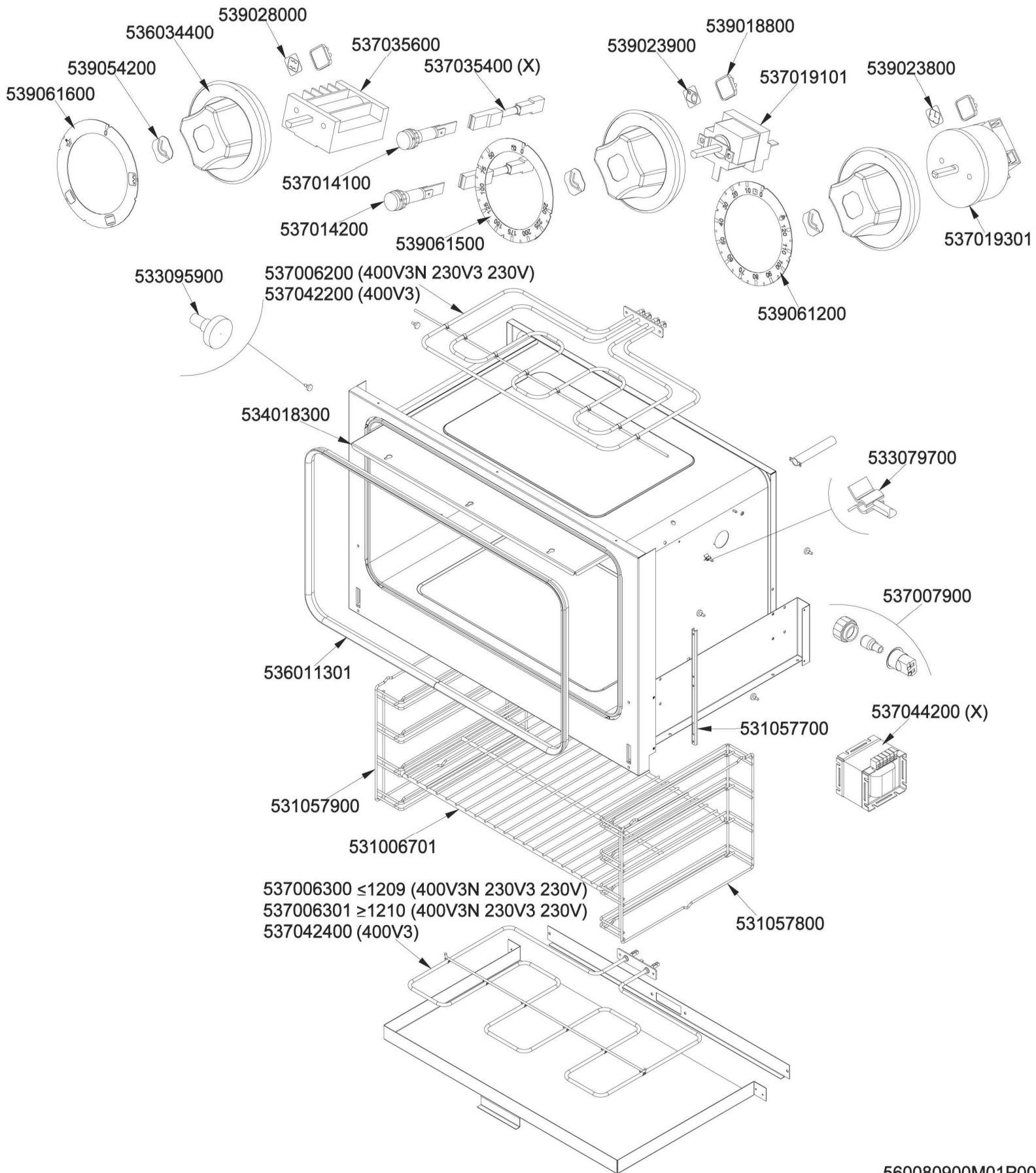
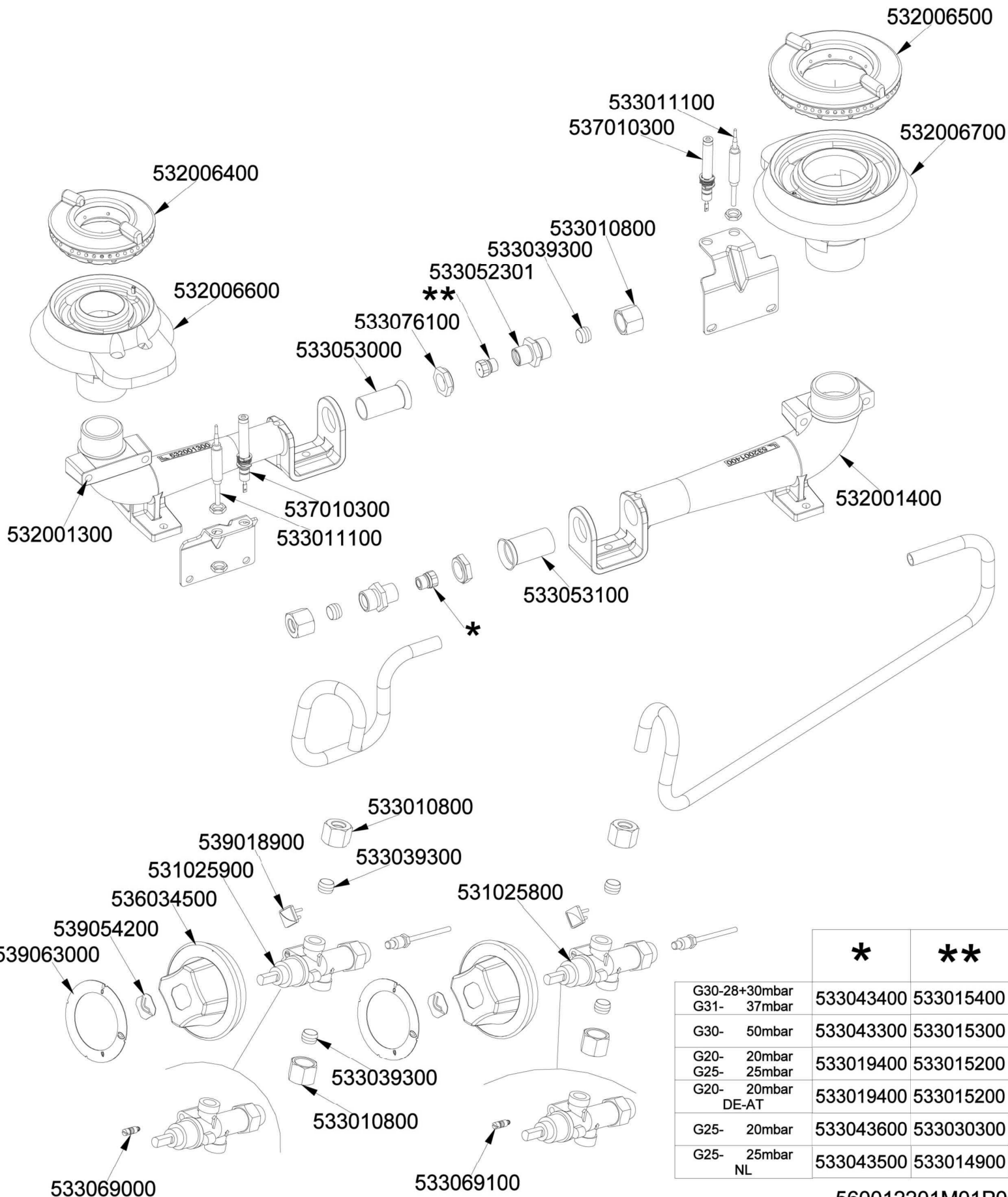


531059201







	*	**
G30-28+30mbar G31- 37mbar	533043400	533015400
G30- 50mbar	533043300	533015300
G20- 20mbar G25- 25mbar	533019400	533015200
G20- 20mbar DE-AT	533019400	533015200
G25- 20mbar	533043600	533030300
G25- 25mbar NL	533043500	533014900

560012201M01P00

Page	Pos	Code	Description
001		541199000	UPPER PLATE FOR 60T-LINE*CF 6-610GE
001		532006200	2 BURNERS GRID 289X504 60T RAF
001		544522000	BURNER DRIP PAN OF PCT-60
001		544540300	
001		537005601	6 FLAME IGNITION CONTROL BOX V230
001		537036500	TERMINAL BLOCK 4POLES 40A SCREW-SCR
001		541194900	CONTROL PANEL 607090 CF6-610GE
001		537015600	BIPOLAR SWITCH
001		536024800	HOOD WITH SWITCH FRAME
001		544562900	SIDE PANEL OF OVEN DOOR CF 610
001		531048400	INOX LEG Ø1"3/4 100-165 M10
001		544540200	
002		531059201	COMPLETE S/S DOOR FOR MAXI 600 OVEN
002		544534100	INNER DOOR OF MAXI OVEN OF 60T-LINE
002		533094400	S/S OVEN DOOR HANDLE FOR 60T-LINE
002		544534000	S/S DOOR FOR MAXI OVEN OF 60T LINE
002		531059700	DOOR HINGE FOR MAXI OVEN 60.LINE
002		531059300	OVEN DOOR * S60T 68 GLASS C.
002		536029400	INTERNAL GLASS OVEN DOOR MAXI
002		533094600	BUSH P.F. 60-LINE
002		536021801	DOOR HANDLE SPACER FOR MAXI OVEN
002		531064900	EXTERNAL GLASS MAXI OVEN DOOR+FRAME
003		539061600	ADESIVE DISK FOR SWITCH OVEN S60
003		539054200	STAMP Ø20,5 CR. "L" LOTUS R.
003		536034400	KNOB §77 4P. §06*4,6 C/M
003		539028000	SELECTOR SIGN PLATE FOR OVEN
003		537035600	OVEN COMMUTATOR * EL. 60+65LINES
003		537035400	HEATING ELEMENT 00003W 330KOHM W/F
003		539023900	SIGN PLATE FOR OVEN TEMPERATURE
003		539018800	BLANK INDEX FOR KNOB
003		539023800	LABEL FOR OVEN TIMER
003		537019101	THERMOSTAT MONOPHAS.050-320°C F.MF
003		533095900	PIN FOR GRIDSHOLDER SUPPORT CF 60
003		537014100	WHITE WARNING LIGHT 250V
003		537014200	GREEN WARNING LIGHT 250V
003		537006200	UPPER OVEN HEATING EL.3000W 230V
003		537042200	UPPER OVEN HEATING EL.1000+2000W
003		539061200	ADHESIV.DISK FOR TYMER EL. OVEN
003		537019301	TIMER ELECT.120' 4 T.F. MF
003		534018300	KNOB PROTECTION FOR MAXI CF 60T
003		533079700	LOCK SPRING FOR BULB §3/§4
003		536011301	GASKET FOR MAXI 60T-OVEN L=1980
003		537007900	OVEN BULB-SOCKET WITH LAMP
003		537044200	TRANSFORMER 400V/440V-230V 100VA
003		531057700	DOOR WHEEL HOLDER F.MAXI OVEN 60T
003		531057900	LHD GRIDS HOLDER FOR MAXI-OVEN
003		531006701	MAXI OVEN GRID FOR S60/65
003		537006300	LOWER OVEN HEATING EL.W1600 230CF8/
003		537006301	COVERED HEATING ELEMENT MAXI OVEN
003		537042400	LOWER OVEN HEATING EL.W1600 440V
003		531057800	RHD GRIDS HOLDER FOR MAXI-OVEN

Page	Pos	Code	Description
003		539061500	ADESIVE DISK OVEN THERMOSTAT S60
004		532006400	QUICKBURNER 2 RING Ø082 3 Z
004		532006600	BURNER BODY 3,5 KW WITH PLUG
004		532001300	BURNER VENTURI 3,5 KW
004		533011100	THERMOCOUPLE 750 M8*1
004		537010300	IGNITION PLUG WITH SPRING PC65
004		533053000	AIR ADJUSTMENT BUSHING §18
004		533076100	HEXAGONAL NUT M14X1 H4 + BUSHING
004		533052301	JOINT FOR NOZZLE HOLDER
004		533039300	BICONE §10
004		533010800	TUBE NUT D.10 M16*1,5
004		532006500	QUICKBURNER 2 RING Ø102 3 Z
004		532006700	BURNER BODY 5,5 KW WITH PLUG
004		532001400	BURNER VENTURI 5,5 KW
004		533053100	AIR ADJUSTMENT BUSHING §20
004		539063000	RED STICKING DISK 72
004		539054200	STAMP Ø20,5 CR."L" LOTUS R.
004		536034500	KNOB §77 4P. §08*6,5
004		531025900	SAFETY TAP 20S-B PEL20S21070
004		539018900	INDEX FOR KNOB W/RED SIGN
004		531025800	SAFETY TAP 20S-B PEL20S2160
004		533069100	BY PASS COCK §60 20S
004		533069000	BY PASS COCK §70 20S-21S
004		533043400	NOZZLE §117 CH12*14 G-PC4 UR
004		533043300	NOZZLE §103 CH12*14 F-PC4 UR
004		533019400	NOZZLE §180 CH12*14 L-FQ5
004		533043600	NOZZLE §200 CH12*14 L-PC4 UR
004		533043500	NOZZLE §190 CH12*14 G25 PC4R
004		533015400	NOZZLE §93 CH12*14 G-PC4 R
004		533015300	NOZZLE §82 CH12*14 F-PC4 R
004		533015200	NOZZLE §145 CH12*14 F-FP/CP6
004		533030300	NOZZLE §160 CH12*14 M-FPG
004		533014900	NOZZLE §150 CH12*14 F-FQ5 L-FQ6