

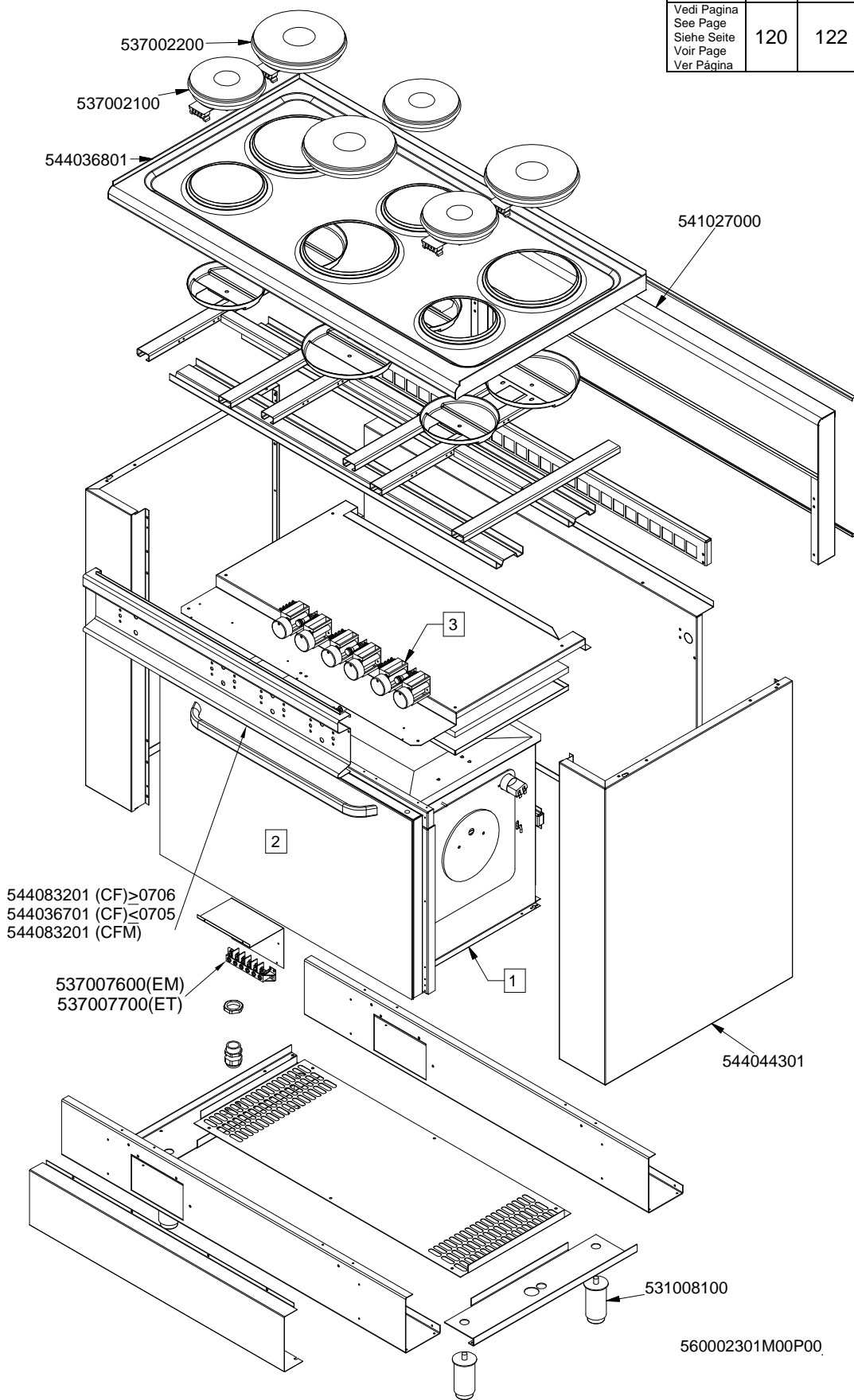
MAGIC SNACK 60

CUCINE / RANGES / HERDE / CUISINIÈRES / N° ≥0310

CF-10/6

CF-10EM/6 CF-10ET/6 CFM-10EM/6 CFM-10ET/6

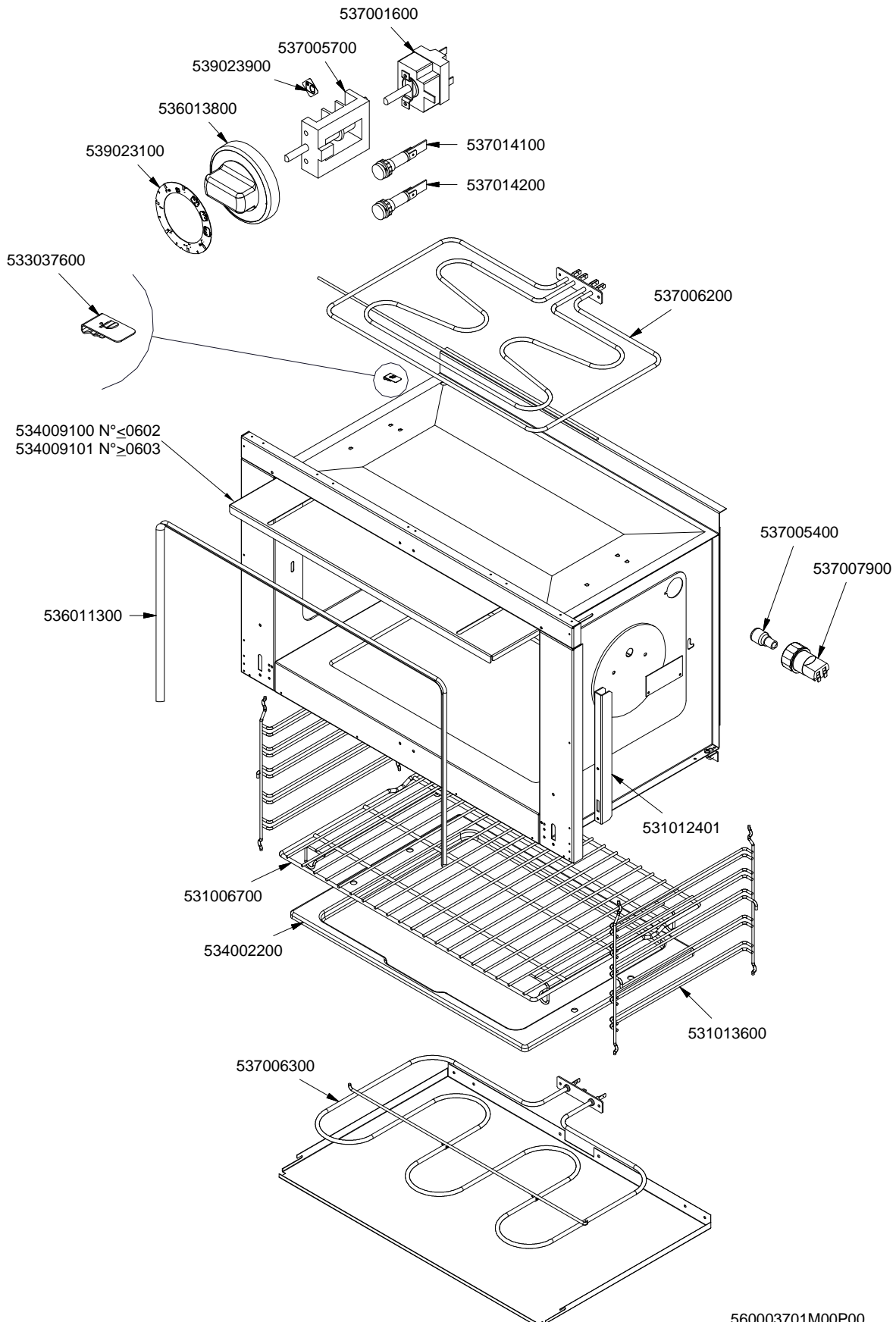
| | 1CF | 1CFM | 2 | 3 |
|---|-----|------|-----|-----|
| Vedi Pagina See Page Siehe Seite Voir Page Ver Pàgina | 120 | 122 | 126 | 130 |



MAGIC SNACK 60

CUCINE / RANGES / HERDE / CUISINIÈRES / N° ≥ 0310
FORNO / OVEN / BACKOFEN / FOUR / CF-8 10 10/6

ELETTRICO STATICO / TRADITIONAL ELECTRIC / STATISCHER ELEKTRO- /
ELECTRIQUE STATIQUE ≤ 0705



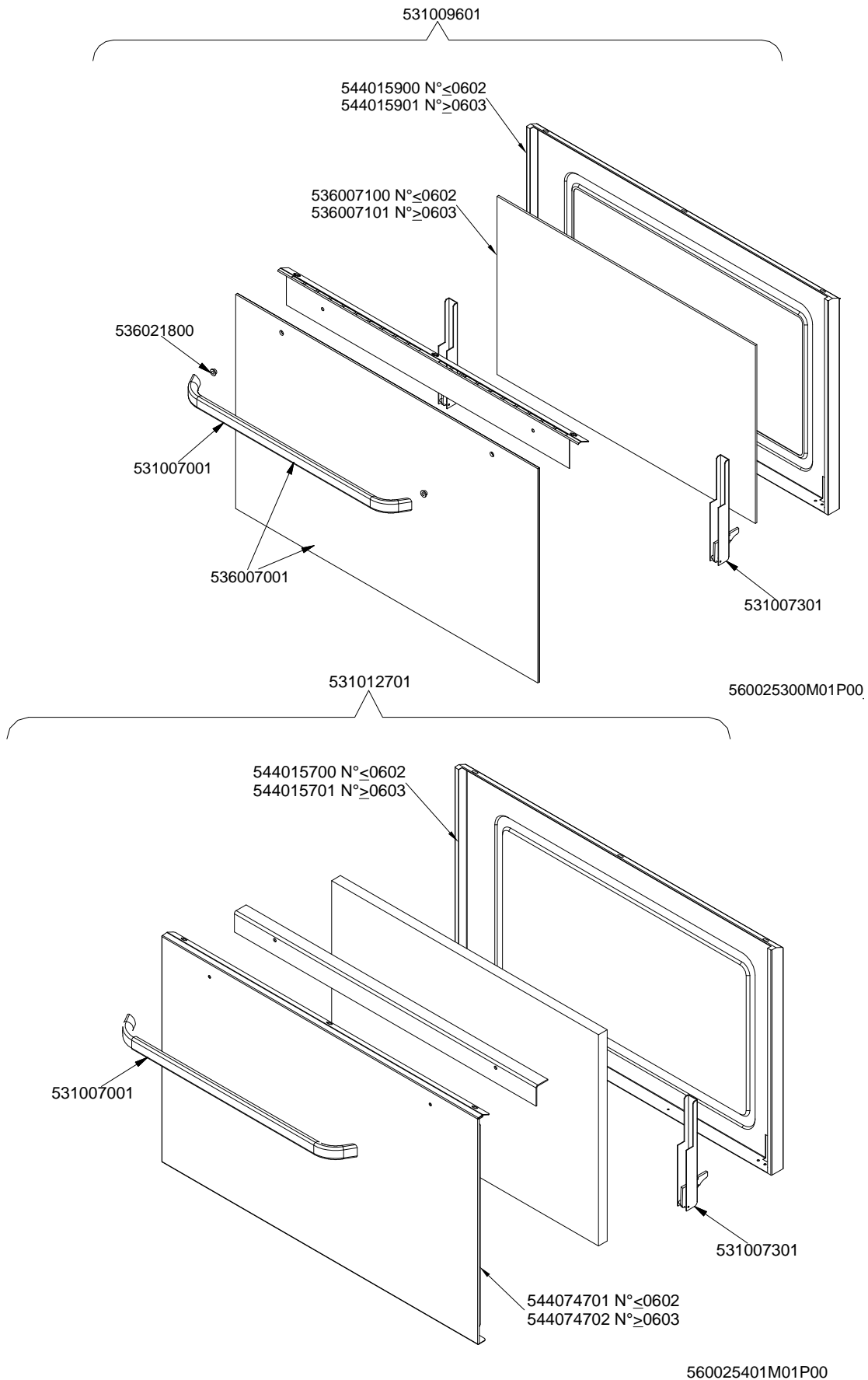
560003701M00P00

MAGIC SNACK 60

CUCINE / RANGES / HERDE / CUISINIÈRES / N° ≥ 0310

FORNO / OVEN / BACKOFEN / FOUR / CF-8 10 10/6

PORTE / DOORS / TÜREN / PORTES ≤ 0705



PC-E



| Page | Pos | Code | Description |
|------|-----|-----------|-------------------------------------|
| 001 | | 537002200 | ELECTRICAL PLATE D.180 W1500 V230 |
| 001 | | 537002100 | ELECTRICAL PLATE D.145 W1000 V230 |
| 001 | | 544036801 | UPPER PLATE CF-10E/6 (NEW MODEL) |
| 001 | | 541027000 | NEUTRAL SPACER 1000 |
| 001 | | 544083201 | CONTROL PANEL CFM-10ET/6 |
| 001 | | 544036701 | CONTROL PANEL CF-10ET 6PLATES (NEW) |
| 001 | | 537007700 | TERMINAL BLOCK THREEPHASE 40A |
| 001 | | 544044301 | SIDE NEW CF-10 |
| 001 | | 531008100 | ADJUSTABLE LEG H9 CHROME |
| 002 | | 537001600 | THERMOSTAT 50-320°C SINGLEPHASE |
| 002 | | 537005700 | OVEN COMMUTATOR CF-8/10 EL. |
| 002 | | 539023900 | SIGN PLATE FOR OVEN TEMPERATURE |
| 002 | | 536013800 | KNOB D.70 BLACK 6*5 WITH SPRING |
| 002 | | 539023100 | ADHESIVE GRADUATED DISC FOR MAXI OV |
| 002 | | 533037600 | LOCK SPRING FOR BULB |
| 002 | | 537014100 | WHITE WARNING LIGHT 250V |
| 002 | | 537014200 | GREEN WARNING LIGHT 250V |
| 002 | | 537006200 | UPPER OVEN HEATING EL.1000+2000W |
| 002 | | 534009100 | GRILL PROTECTION CF-8/10 |
| 002 | | 534009101 | |
| 002 | | 536011300 | OVEN GASKET CF-8/10 |
| 002 | | 537005400 | OVEN BULB 15W 300°C |
| 002 | | 537007900 | OVEN BULB-SOCKET |
| 002 | | 531012401 | OVEN DOOR WHEEL HOLDER F.CF-8/10 |
| 002 | | 531013600 | SIDE GRID FOR MAXI/VENTILATED OVEN |
| 002 | | 531006700 | OVEN GRID FOR CF-8/10 |
| 002 | | 534002200 | OVEN DRIPPING-PAN CF-8/10 |
| 002 | | 537006300 | LOWER OVEN HEATING EL.W1750 230CF8/ |
| 003 | | 531009601 | COMPLETE GLASS OVEN DOOR |
| 003 | | 544015900 | INNER GLASSDOOR OF MAXI OVEN |
| 003 | | 544015901 | INNER-DOOR FOR MAXI OVEN *GLASS* |
| 003 | | 536007100 | INTERNAL GLASS OVEN DOOR CF-8/10 |
| 003 | | 536007101 | |
| 003 | | 536021800 | DOOR HANDLE SPACER FOR MAXI OVEN |
| 003 | | 531007001 | OVEN GLASS DOOR HANDLE CF-8/10 |
| 003 | | 536007001 | EXTERNAL GLASS OVEN DOOR CF8/10 |
| 003 | | 531007301 | DOOR HINGE FOR MAXI OVEN CF-8/10 |
| 003 | | 531012701 | STAINLESS STEEL OVEN DOOR 60/65LINE |
| 003 | | 544015700 | INNER DOOR OF MAXI OVEN |
| 003 | | 544015701 | INNER-DOOR FOR MAXI OVEN |
| 003 | | 544074701 | S/S MAXI OVEN DOOR PANEL |
| 003 | | 544074702 | |
| 004 | | 537000300 | COMMUTATOR 7 POSITIONS S.49 16A |
| 004 | | 536002100 | KNOB 7 POSITIONS SNACK |
| 004 | | 537014100 | WHITE WARNING LIGHT 250V |