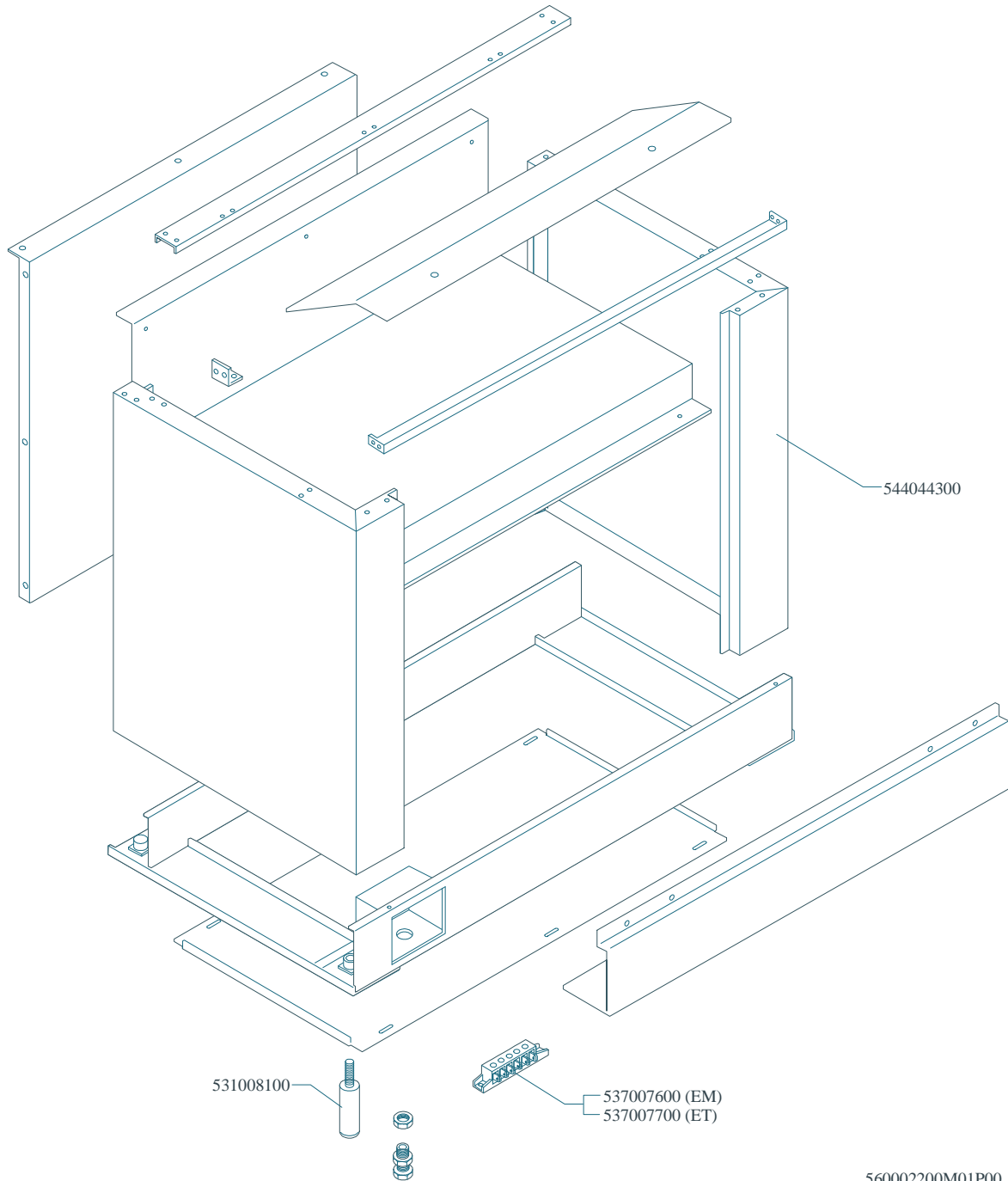


# MAGIC SNACK 60

CUCINE / RANGES / HERDE / CUISINIÈRES / N° 0309

CF-10

CF-10EM CF-10ET CF-10EM/A CF-10ET/A CFM-10EM CFM-10ET CFM-10EM/A CFM-10ET/A



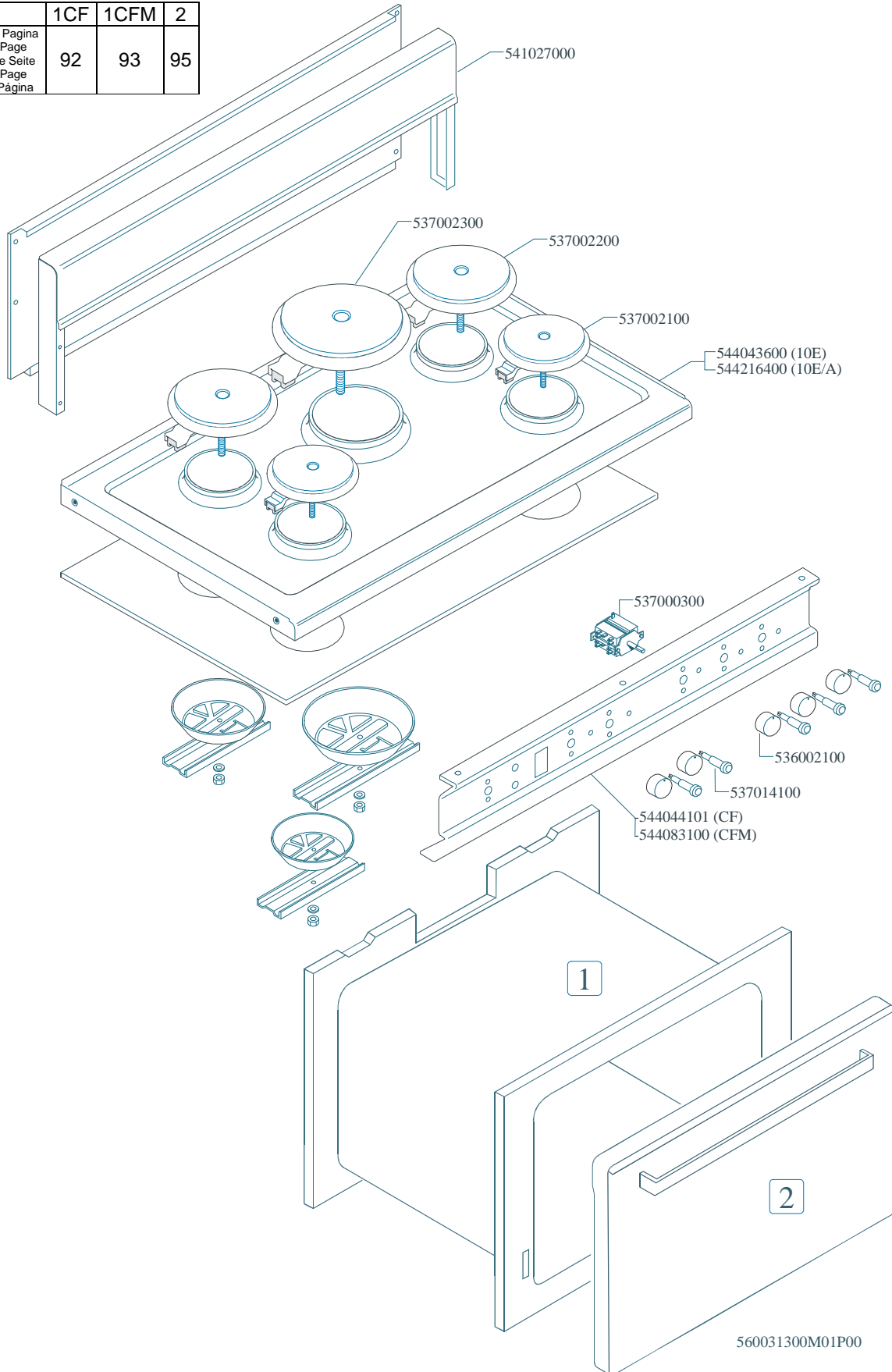
# MAGIC SNACK 60

CUCINE / RANGES / HERDE / CUISINIÈRES / N° 0309

CF-10

CF-10EM CF-10ET CF-10EM/A CF-10ET/A CFM-10EM CFM-10ET CFM-10EM/A CFM-10ET/A

|   | 1CF | 1CFM | 2  |
|---|-----|------|----|
| Vedi Pagina<br>See Page<br>Siehe Seite<br>Voir Page<br>Ver Pàgina | 92  | 93   | 95 |

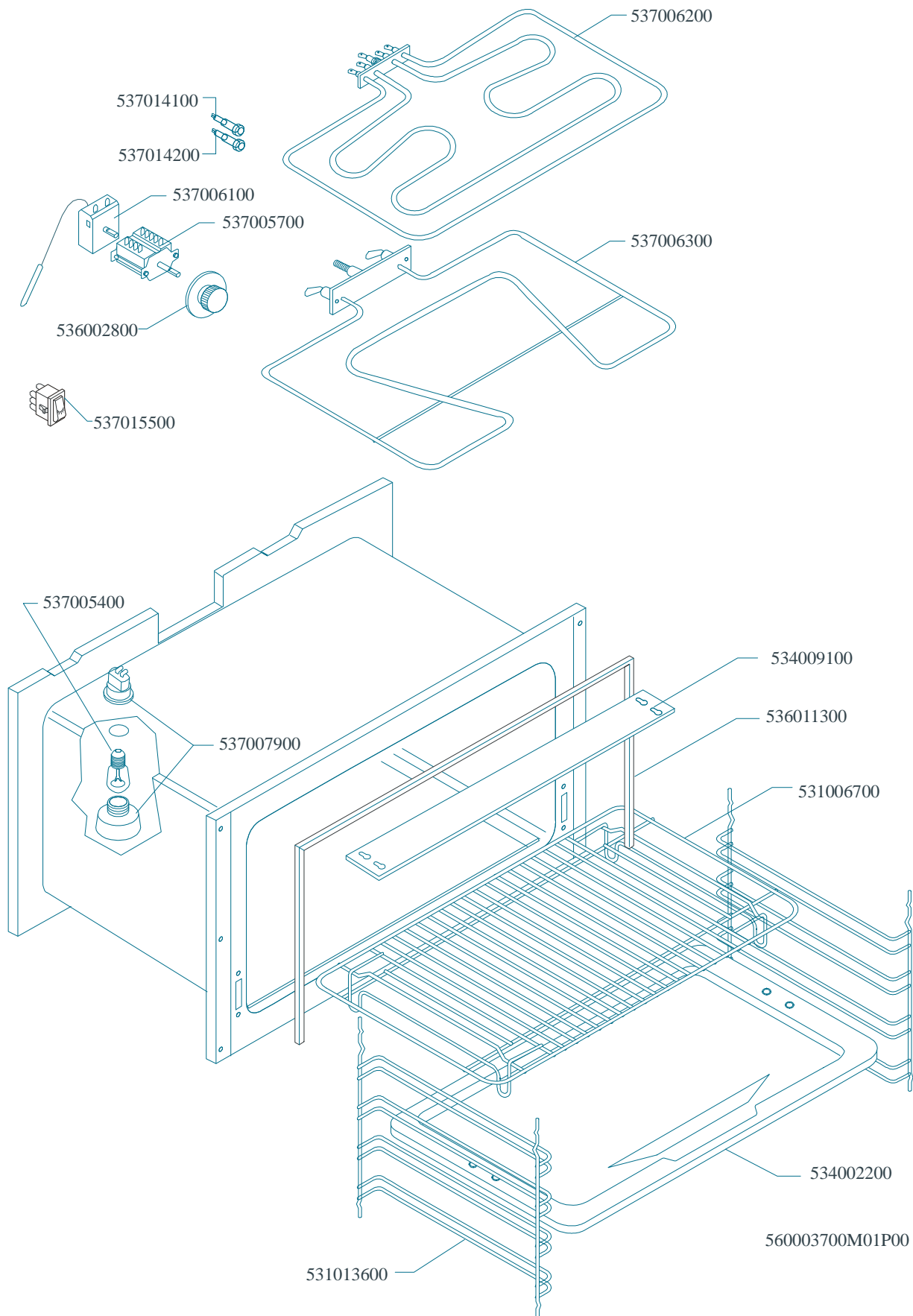


# MAGIC SNACK 60

CUCINE / RANGES / HERDE / CUISINIÈRES / N° 0309

FORNO / OVEN / BACKOFEN / FOUR / CF-8 10 10/6

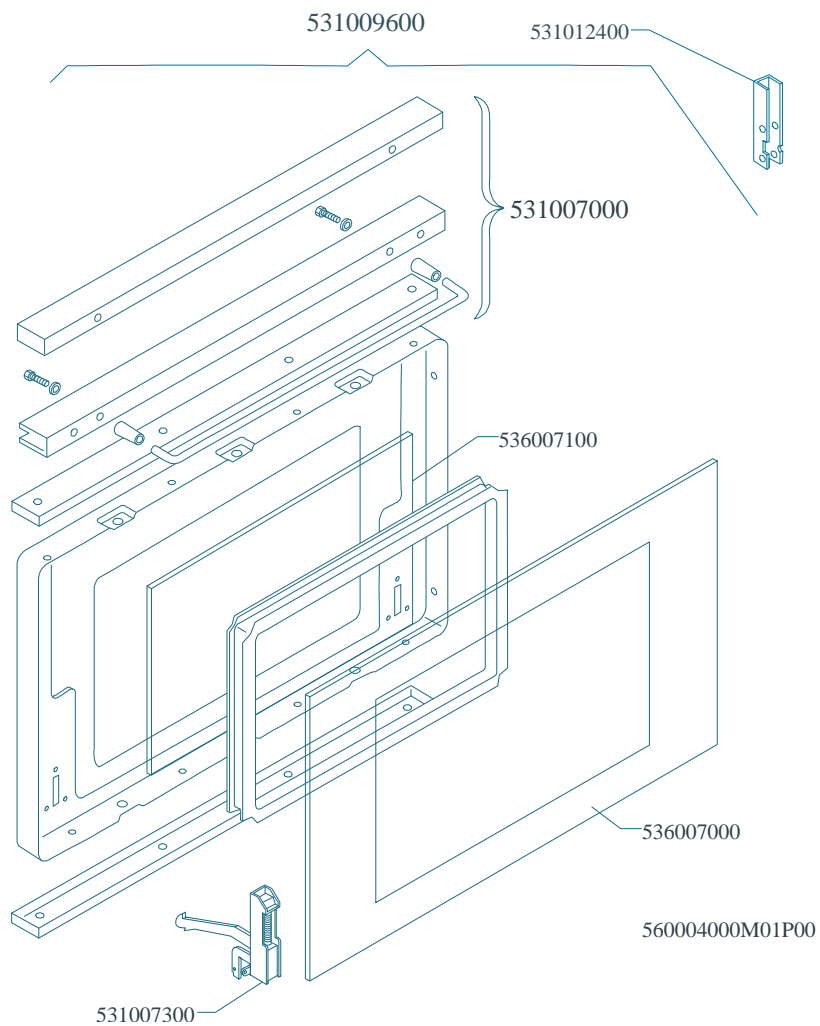
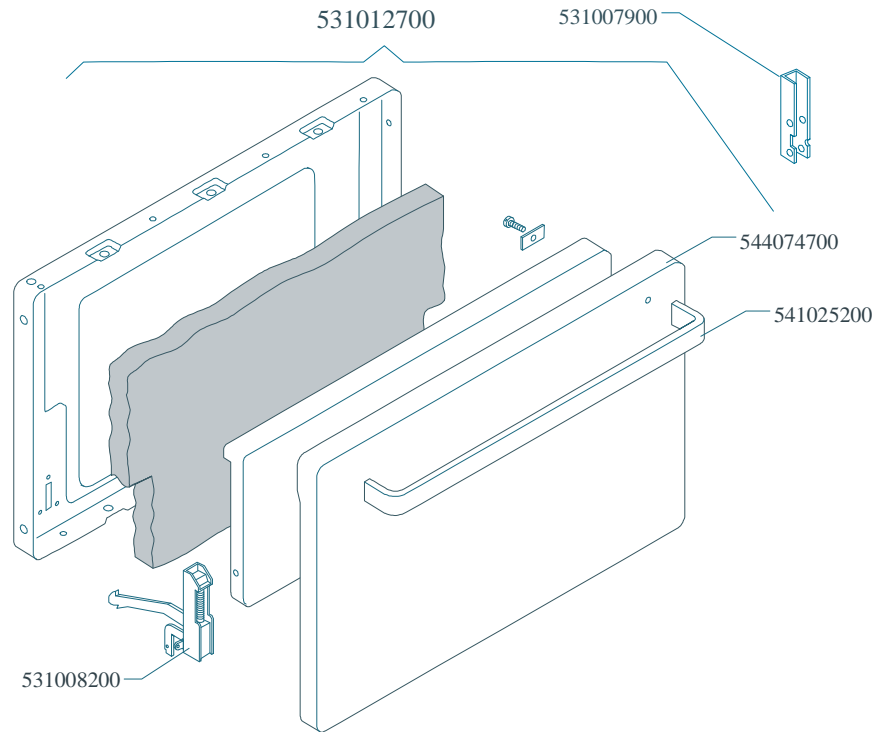
## ELETTRICO STATICO / TRADITIONAL ELECTRIC / STATISCHER ELEKTRO- / ELECTRIQUE STATIQUE



# MAGIC SNACK 60

CUCINE / RANGES / HERDE / CUISINIÈRES / N° 0309  
FORNO / OVEN / BACKOFEN / FOUR / CF-8 10 10/6

## PORTE / DOORS / TÜREN / PORTES



| Page | Pos | Code      | Description                         |
|------|-----|-----------|-------------------------------------|
| 001  |     | 544044300 | SIDE 1000 RANGE                     |
| 001  |     | 531008100 | ADJUSTABLE LEG H9 CHROME            |
| 002  |     | 541027000 | NEUTRAL SPACER 1000                 |
| 002  |     | 537002300 | ELECTRICAL PLATE D.220 W2000 V230   |
| 002  |     | 537002200 | ELECTRICAL PLATE D.180 W1500 V230   |
| 002  |     | 537002100 | ELECTRICAL PLATE D.145 W1000 V230   |
| 002  |     | 544043600 | UPPER PLATE CF-10E                  |
| 002  |     | 544216400 | UPPER PLATE CF-10E/A (OLD MOD.)     |
| 002  |     | 537000300 | COMMUTATOR 7 POSITIONS S.49 16A     |
| 002  |     | 536002100 | KNOB 7 POSITIONS SNACK              |
| 002  |     | 537014100 | WHITE WARNING LIGHT 250V            |
| 002  |     | 544044101 | CONTROL PANEL CF-10E                |
| 003  |     | 537006200 | UPPER OVEN HEATING EL.1000+2000W    |
| 003  |     | 537006300 | LOWER OVEN HEATING EL.W1750 230CF8/ |
| 003  |     | 537014100 | WHITE WARNING LIGHT 250V            |
| 003  |     | 537014200 | GREEN WARNING LIGHT 250V            |
| 003  |     | 537006100 | OVEN THERMOSTAT CF-62/8/10          |
| 003  |     | 537005700 | OVEN COMMUTATOR CF-8/10 EL.         |
| 003  |     | 536002800 | ELECTRIC OVEN KNOB CF-8/10          |
| 003  |     | 537015500 | REDLIGHTED SWITCH                   |
| 003  |     | 537005400 | OVEN BULB 15W 300°C                 |
| 003  |     | 534009100 | GRILL PROTECTION CF-8/10            |
| 003  |     | 536011300 | OVEN GASKET CF-8/10                 |
| 003  |     | 537007900 | OVEN BULB-SOCKET                    |
| 003  |     | 531006700 | OVEN GRID FOR CF-8/10               |
| 003  |     | 534002200 | OVEN DRIPPING-PAN CF-8/10           |
| 003  |     | 531013600 | SIDE GRID FOR MAXI/VENTILATED OVEN  |
| 004  |     | 531012700 | STAINLESS STEEL OVEN DOOR CF-8/10   |
| 004  |     | 531007900 | STAINLESS STEEL DOOR WHEEL HOLDER   |
| 004  |     | 544074700 | STAINLESS STEEL OVEN DOOR PANEL     |
| 004  |     | 541025200 | STAINLESS STEEL OVEN DOOR HANDLE    |
| 004  |     | 531008200 | STAINLESS STEEL DOOR HINGE CF-8/10  |
| 004  |     | 531009600 | COMPLETE GLASS OVEN DOOR            |
| 004  |     | 531012400 | GLASS DOOR WHEEL HOLDER CF-8/10     |
| 004  |     | 531007000 | OVEN GLASS DOOR HANDLE CF-8/10      |
| 004  |     | 536007100 | INTERNAL GLASS OVEN DOOR CF-8/10    |
| 004  |     | 536007000 | EXTERNAL GLASS OVEN DOOR CF8/10     |
| 004  |     | 531007300 | GLASS DOOR HINGE CF-8/10            |