

RACK CONVEYOR MACHINE

TYPE: 39

Accessories

STEAM CONDENSER - LC 91

CONVEYOR SPEED ADJUSTING- LC 101

ADDITIONAL BOILER FOR COLD WATER SUPPLY

DVGW VALVE SYSTEM

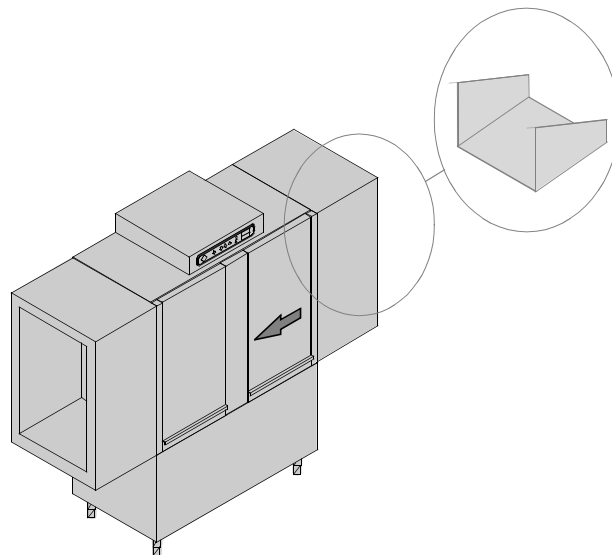
TANKS INSULATION

DOUBLE SKIN

BOOSTER PUMP

DISPENSERS SYSTEM SDN-3

Spare parts manual



1. Spare parts

Control Panel.....	5
Electric parts.....	7
General parts	9
Economizer components.....	11
Curtains group components	13
Inverter	15
Time relay	17
Steam condenser - part 1	19
Steam condenser - part 2	21
Steam condenser - part 3	23
Additional boiler components	25
Additional boiler: electrical components	27
DVGW valve	29
Motorgear components module 1300	31
Washing components	33
Internal components washing module 1300	35

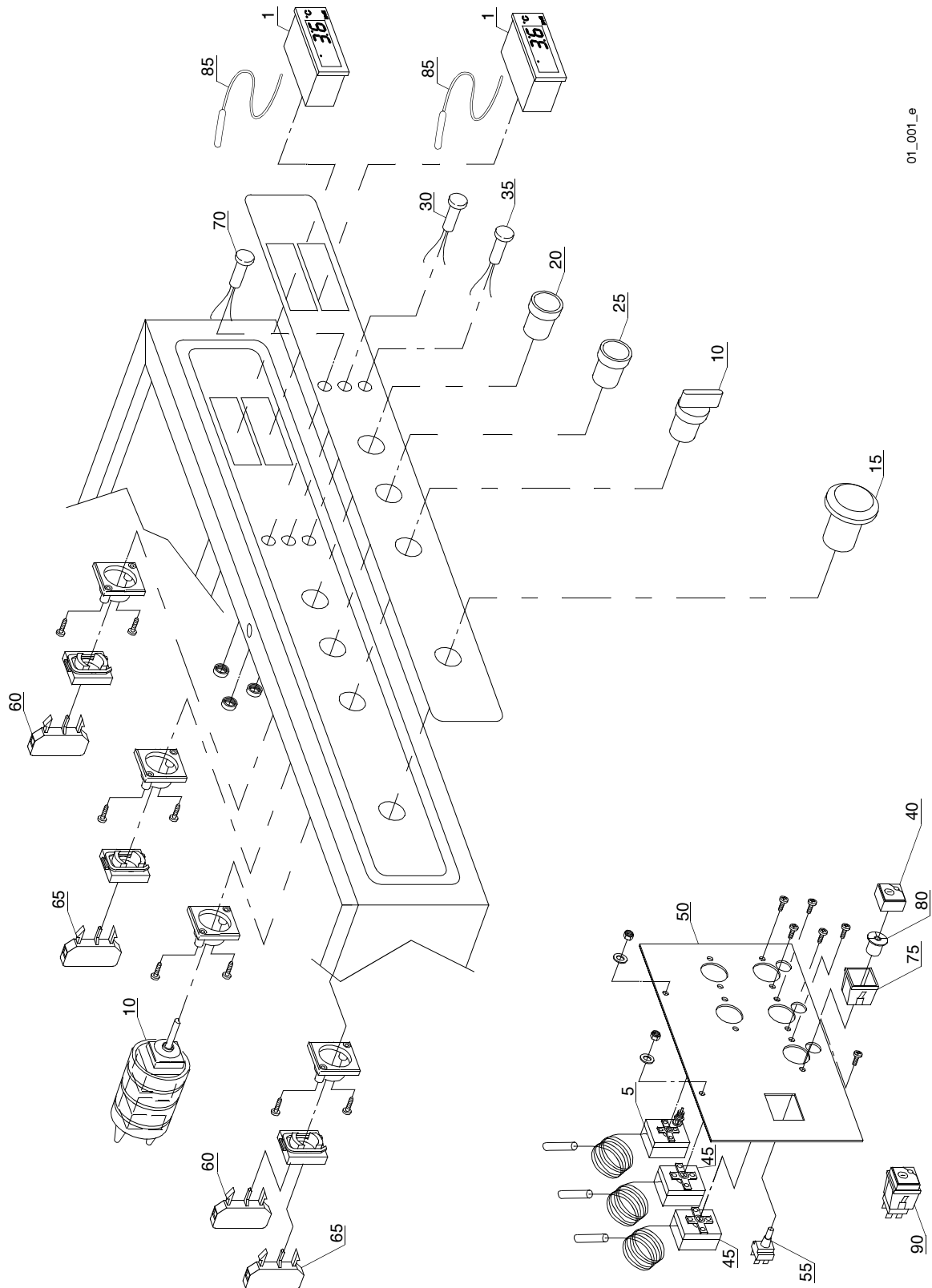
Rinsing components	37
Boiler components	39
Solenoid valves components: tank loading + rinsing	41
Solenoid valves components: tank loading + rinsing + steam condenser	43
Conveyor parts	45
Tank insulation	47
Double skin	49
Booster pump	51
Dispensers SDN-3	53
Accessory	55

1.1 Voltage codes

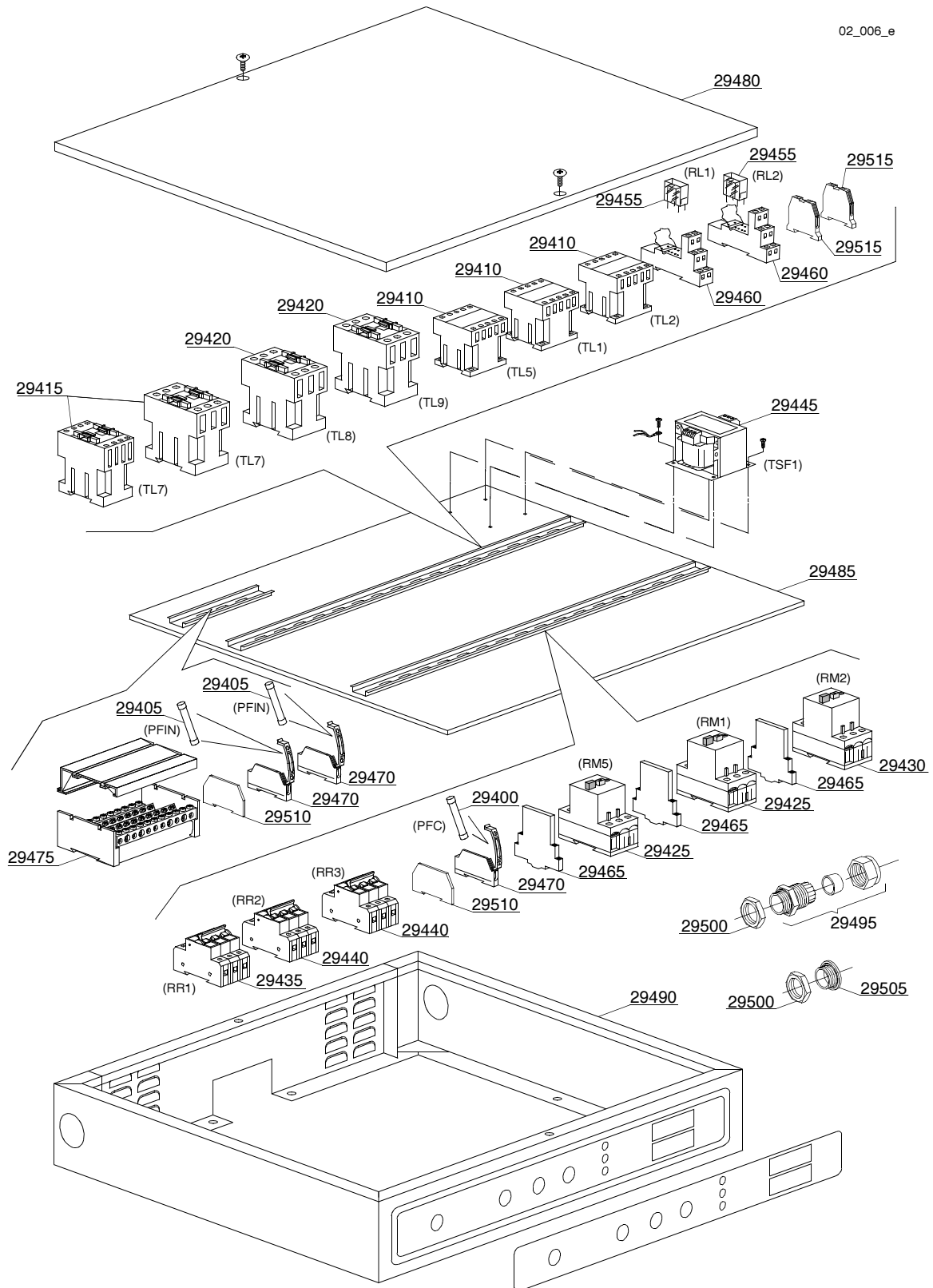
Voltage code	Voltage
A	3/N/PE~400/230V 50Hz
B	~250V 16A 50Hz
C	3/N/PE~380/220V 50Hz
D	3/PE~200V 50-60Hz
F	2/PE 220-240V 50Hz
G	3/N/PE~415/240V 50Hz
H	3/PE~230V 50Hz
I	3/PE~220V 60Hz
J	3/PE~380 50Hz
K	3/PE~400V 50Hz
L	3/PE~415V 50Hz
M	3/PE~440V 60Hz
N	3/PE~460V 60Hz
O	3/PE~480V 60Hz
P	1/N/PE~220-240V 50Hz
R	2/PE~220-230V 60Hz
S	3/N/PE~400/230V 50Hz
T	3/PE~230V 60Hz

1.2 Product codes

Product code	Full name
Model codes	
Type codes	
39	39
Accessory codes	
sc9	STEAM CONDENSER - LC 91
csa	CONVEYOR SPEED ADJUSTING- LC 101
cw	ADDITIONAL BOILER FOR COLD WATER SUPPLY
dvgw	DVGW VALVE SYSTEM
ti	TANKS INSULATION
ds	DOUBLE SKIN
bp	BOOSTER PUMP
sdn3	DISPENSERS SYSTEM SDN-3

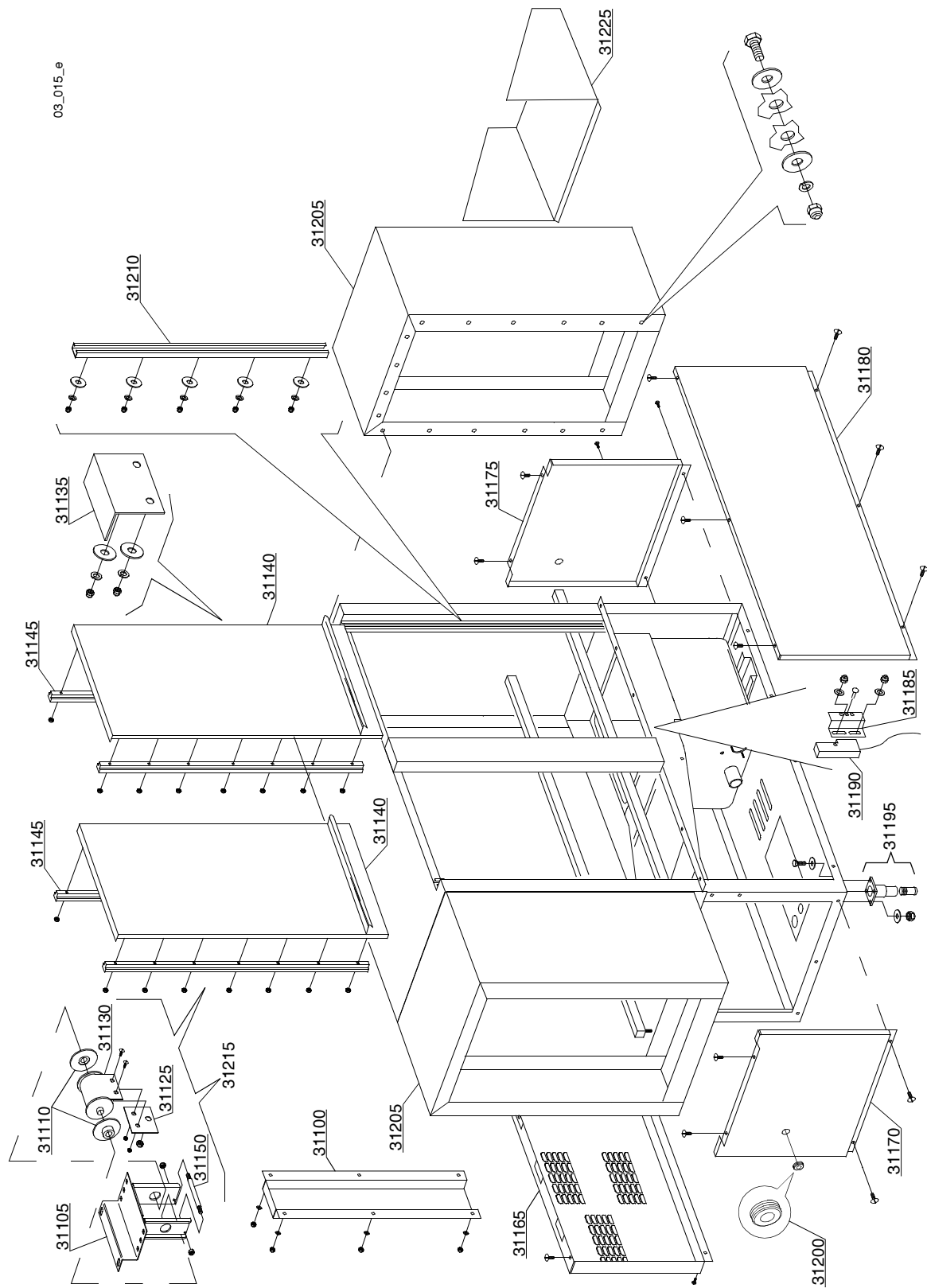


01_001_e



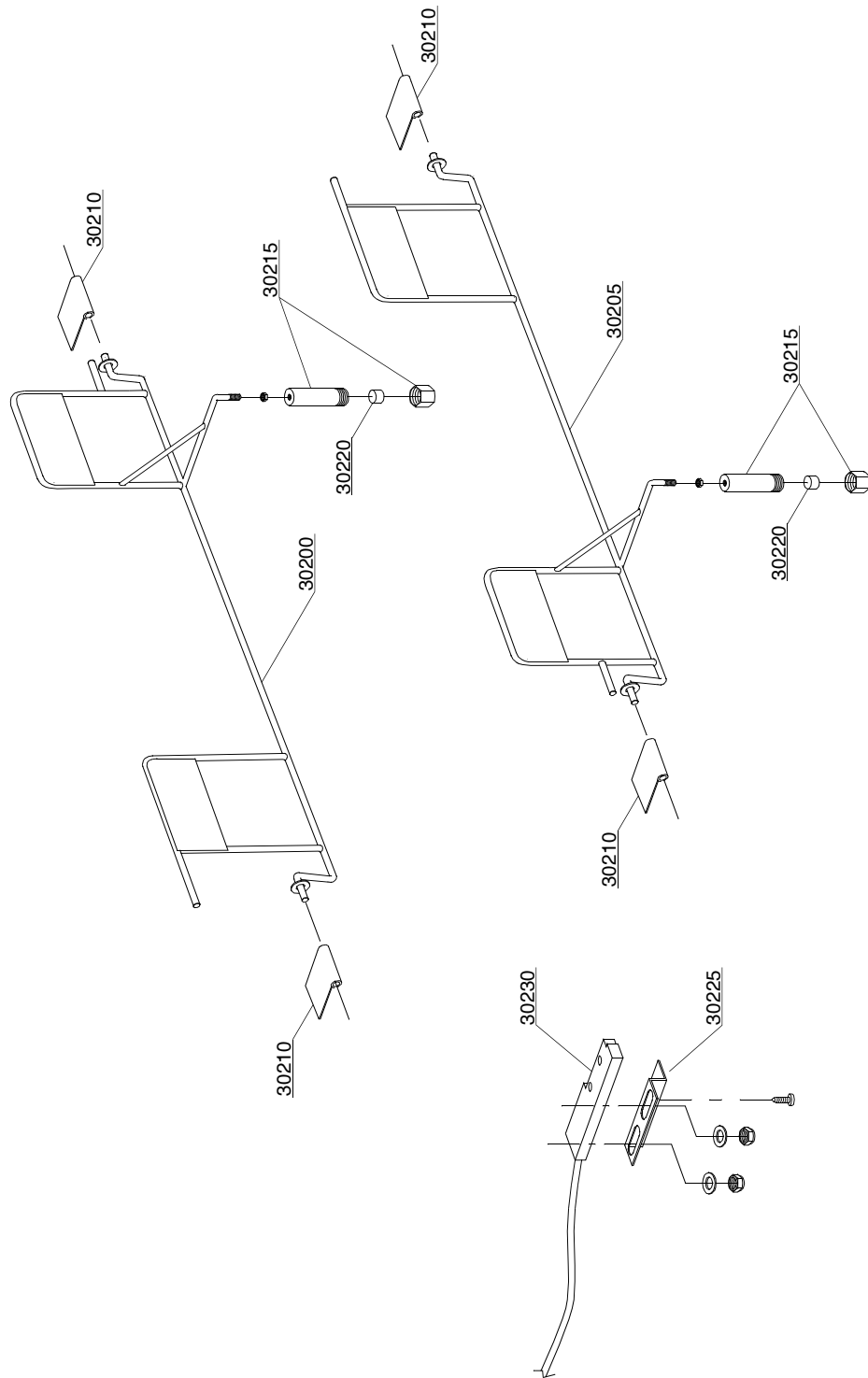
Spare parts

ID	P-code	Model	Type	Accessory	Voltage	Description
MODULE:Electric parts						
29400	15160		39		A	Fuse 5x20 10A
29405	15163		39		A	Fuse 5x20 1A
29410	2000370		39		A	Contactor MC9
29415	2000380		39		A	Contactor BF12 (heating element < 9 kW)
29415	2000385		39		A	Contactor BF20 (heating element > 9 kW)
29420	2000385		39		A	Contactor BF20
29425	2000390		39		A	Motorprotector 1 - 1.6A
29430	2000400		39		A	Motorprotector 4 - 6.3A
29435	2000403		39		A	Automatic fuse C20 (heating element < 9kW)
29435	2000404		39		A	Automatic fuse C25 (heating element > 9kW)
29440	2000403		39		A	Automatic fuse C20 (heating element < 9kW)
29440	2000404		39		A	Automatic fuse C25 (heating element > 9kW)
29445	3006061		39		A	Transformer 200VA
29445	3006060		39		A	Transformer 160VA
29455	3006078		39		A	Relay
29460	3006079		39		A	Base for relay
29465	3006080		39		A	Auxiliary contact LMS25
29470	3006147		39		A	Fuse holder
29475	3006154		39		A	Terminal board
29480	3009457		39		A	Control panel cover
29485	3009458		39		A	Electric parts pannel
29490	3019033		39		A	Comand parts pannel
29495	80419		39		A	Cable-fastener PG29
29500	80420		39		A	Lock nut
29505	80421		39		A	Plug PG29
29510	3006144		39		A	Fuse holder covering plate
29515	3006092		39		A	Clamp 4mm



Spare parts

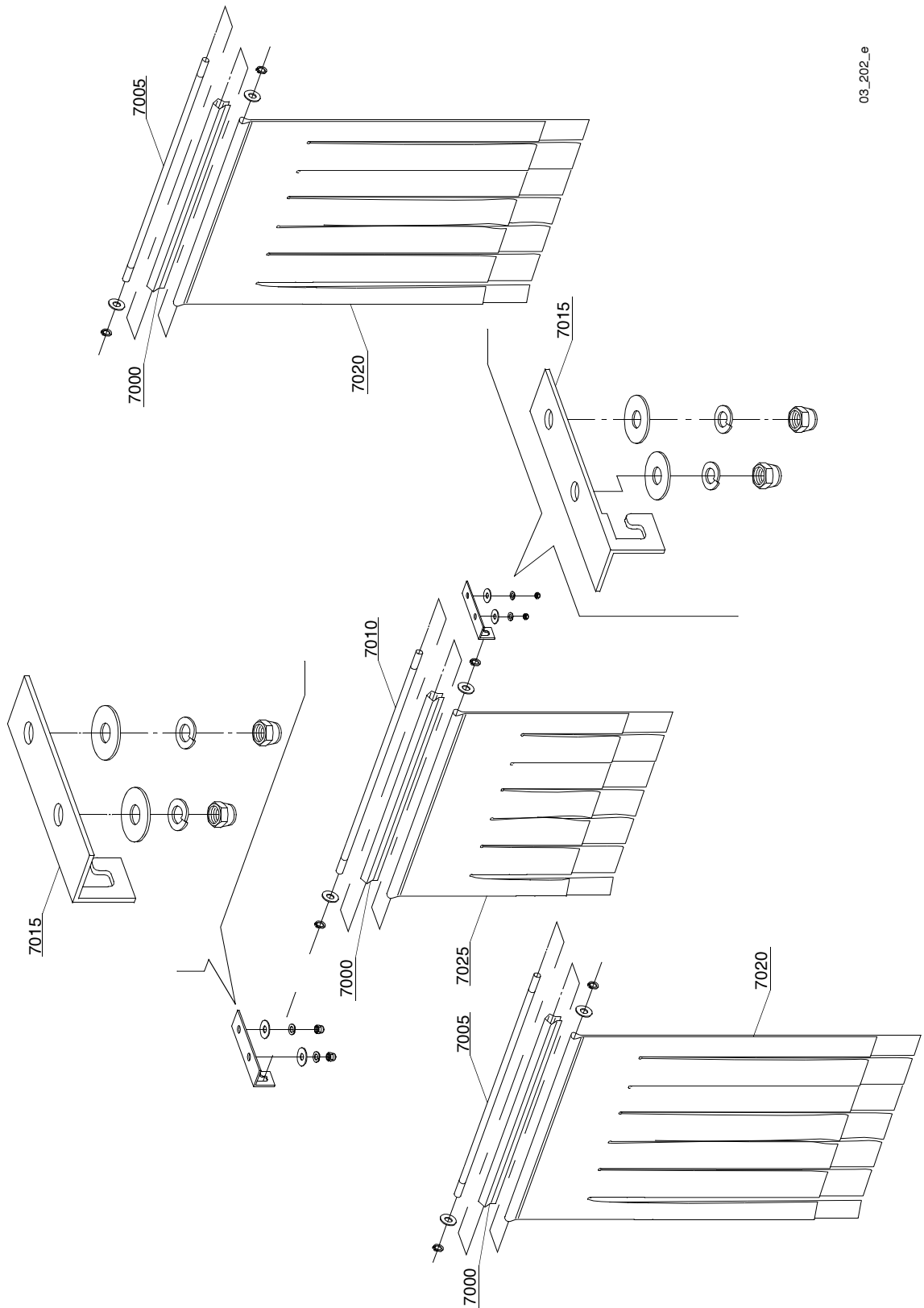
ID	P-code	Model	Type	Accessory	Voltage	Description
MODULE:General parts						
31100	3009606		39			Rear cover
31105	3009909		39			Spring support
31110	3004012		39			Spring holder
31125	3009555		39			Spring clamping plate
31130	3004011		39			Door spring BBSR 23
31135	3009269		39			Door stop
31140	3009599		39			Door assembly
31145	3004118		39			Door guide
31150	3003958		39			Pin
31165	3009173		39			Rear panel
31170	3009189		39			Cover left
31175	3009188		39			Cover right
31180	3009465		39			Front cover
31185	3009112		39			Microswitch support
31190	3003112		39			Door microswitch
31195	80116		39			Foot
31200	13329		39			Fairlead
31205	3009604		39			Splash zone
31210	3009033		39			Slideways
31215	3009905		39			Spring assembly BBSR 23
31225	3009365		39			Chute



03_103_e

Spare parts

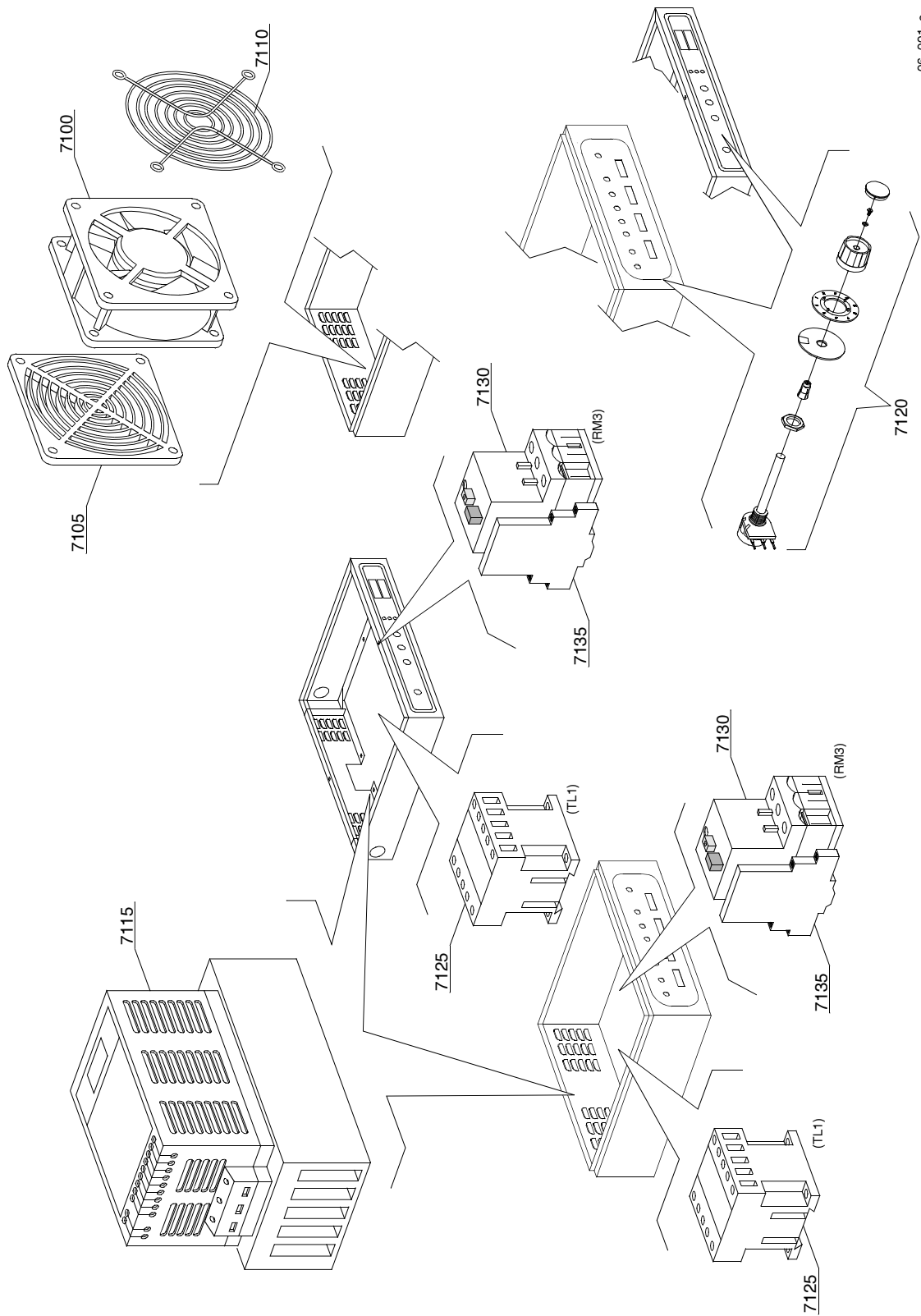
ID	P-code	Model	Type	Accessory	Voltage	Description
MODULE:Economizer components						
30200	3004124		39			Right economizer
30205	3004125		39			Left economizer
30210	3003061		39			Economizer support
30215	3003058		39			Magnet holder
30220	3003113		39			Magnet
30225	3009112		39			Door microswitch support
30230	3003112		39			Door microswitch



03_202_e

Spare parts

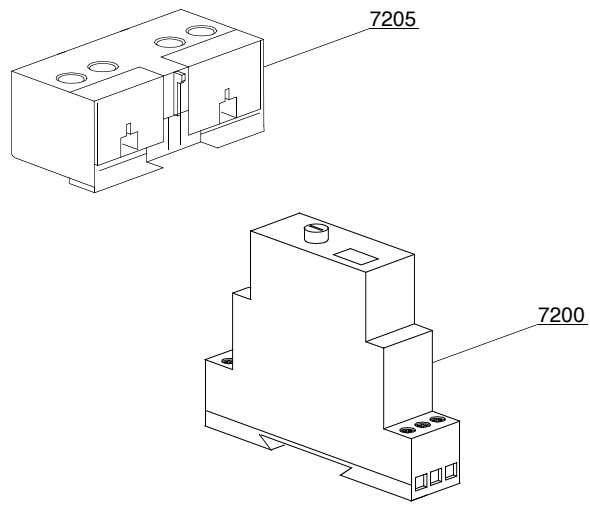
ID	P-code	Model	Type	Accessory	Voltage	Description
MODULE: Curtains group components						
30300	3009109		39			Curtain moulding
30305	3004053		39			Curtain rod short
30310	3004052		39			Curtain rod long
30315	3009110		39			Curtain support
30320	3004107		39			Curtain long
30325	3004051		39			Curtain short



06_001_e

Spare parts

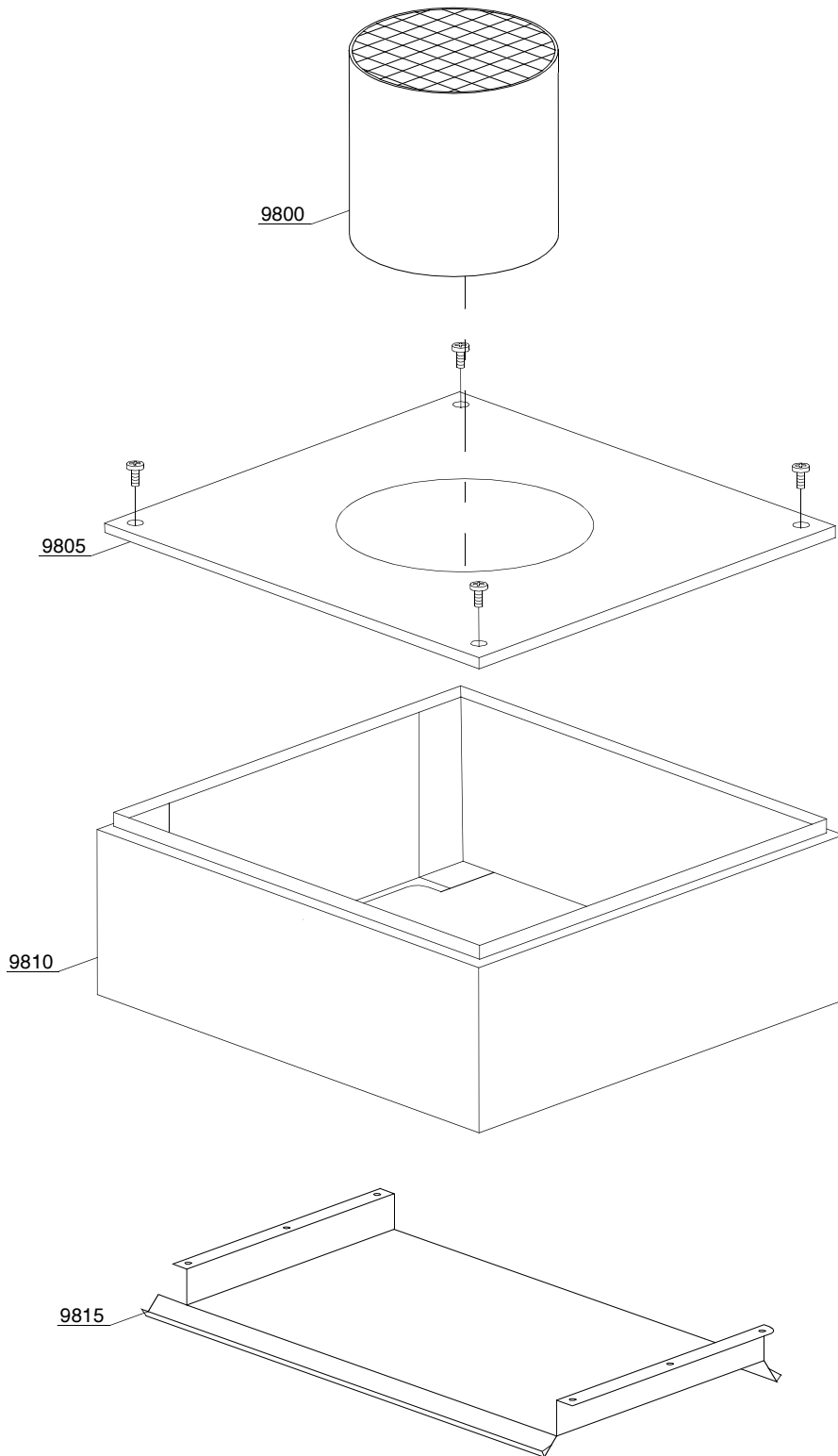
ID	P-code	Model	Type	Accessory	Voltage	Description
MODULE:Inverter						
7100	3000118		39	csa	A	Impeller fan
7105	3000118/A		39	csa	A	Filter
7110	3000118/B		39	csa	A	Grid
7115	3000117		39	csa	A	Inverter 0,37kW
7120	3000119		39	csa	A	Potentiometer with knob
7125	2000370		39	csa	A	Contactora MC9
7130	2000400		39	csa	A	Motorprotector 4-6,3A
7135	3006080		39	csa	A	Auxiliary contact LMS25



07_001_e

Spare parts

ID	P-code	Model	Type	Accessory	Voltage	Description
MODULE:Time relay						
7200	3006225		39	sc9	A	Time relay 24V
7205	3006068		39	sc9	A	MC9 auxiliary contact 1NO-1NC
7205	3002057		39	sc9	A	MC9 auxiliary contact 2NO
7205	3002052		39	sc9	A	MC9 auxiliary contact 2NC

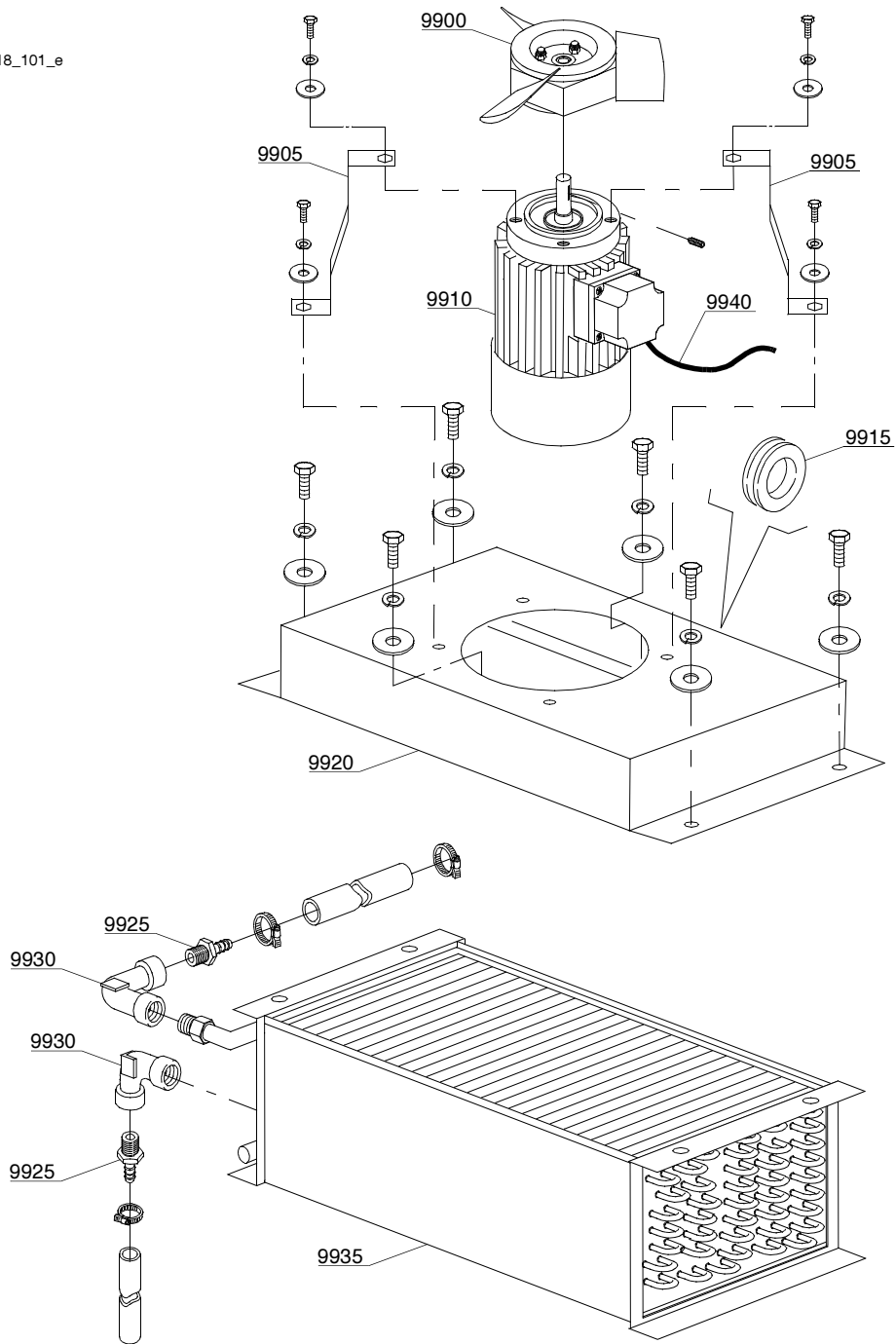


18_001_e

Spare parts

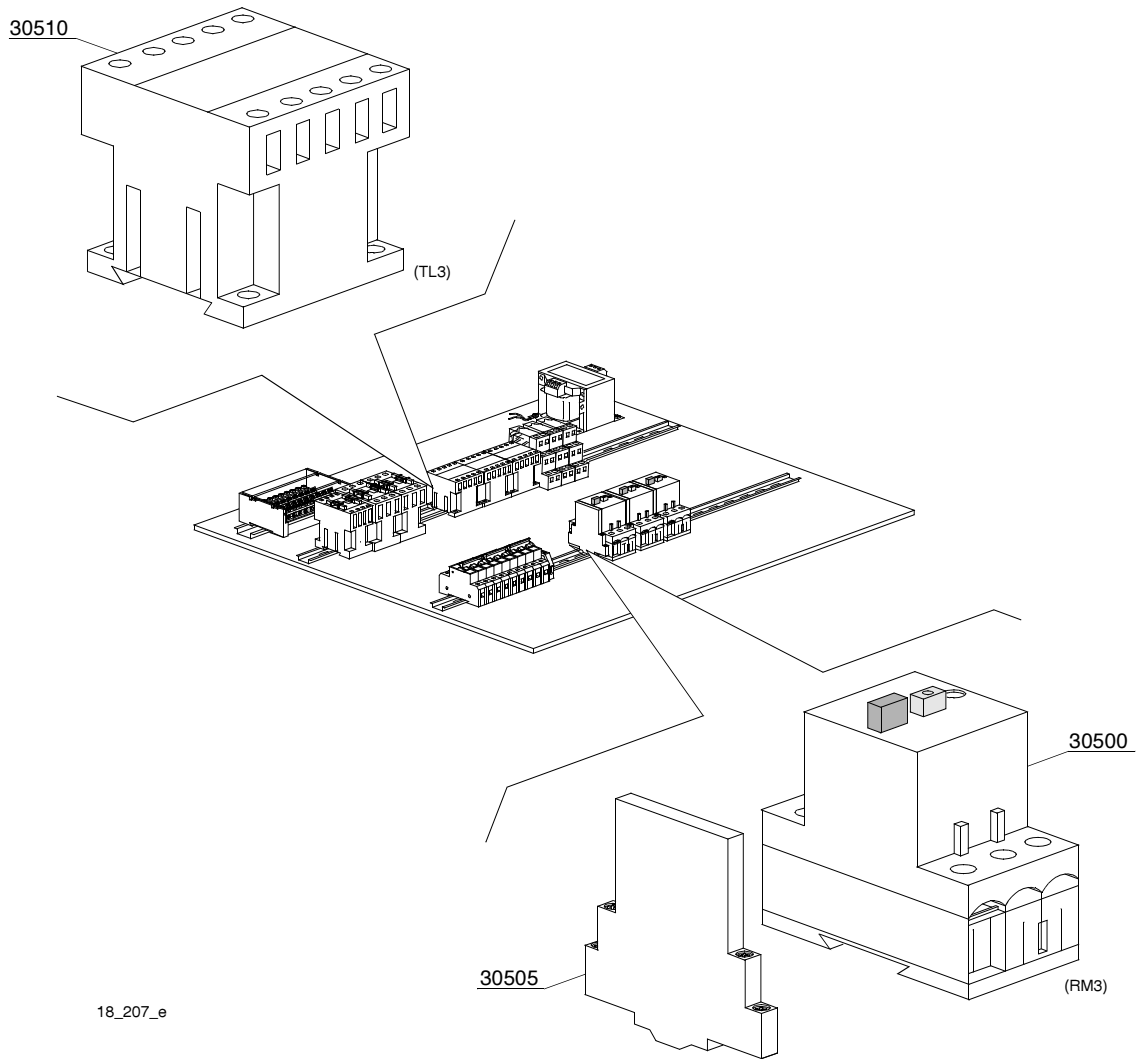
ID	P-code	Model	Type	Accessory	Voltage	Description
MODULE:Steam condenser - part 1						
9800	3009499		39	sc9		Chimney
9805	3009306		39	sc9		Cover with hole
9810	3009502		39	sc9		Complete body
9815	3009090		39	sc9		Suction group

18_101_e



Spare parts

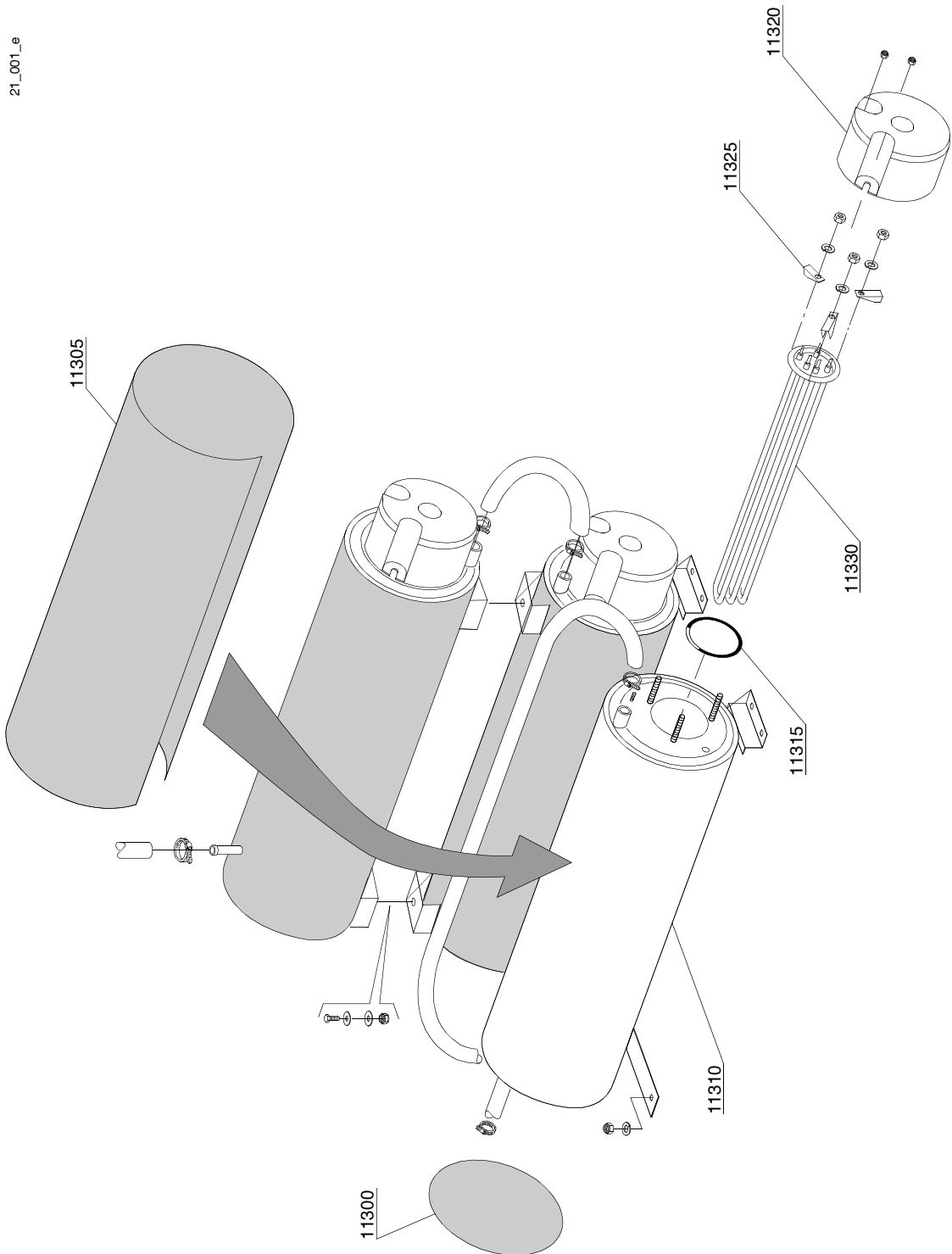
ID	P-code	Model	Type	Accessory	Voltage	Description
MODULE:Steam condenser - part 2						
9900	3000125		39	sc9		Impeller fan
9905	3009106		39	sc9		Motor holder
9910	3000120		39	sc9	A	Motor 0.18KW
9915	13329		39	sc9		Fairlead
9920	3009079		39	sc9		Steam condenser base
9925	12023		39	sc9		Hose holder
9930	3002139		39	sc9		Elbow
9935	3000155		39	sc9		Heating recovery battery
9940	15184		39	sc9		Cable



18_207_e

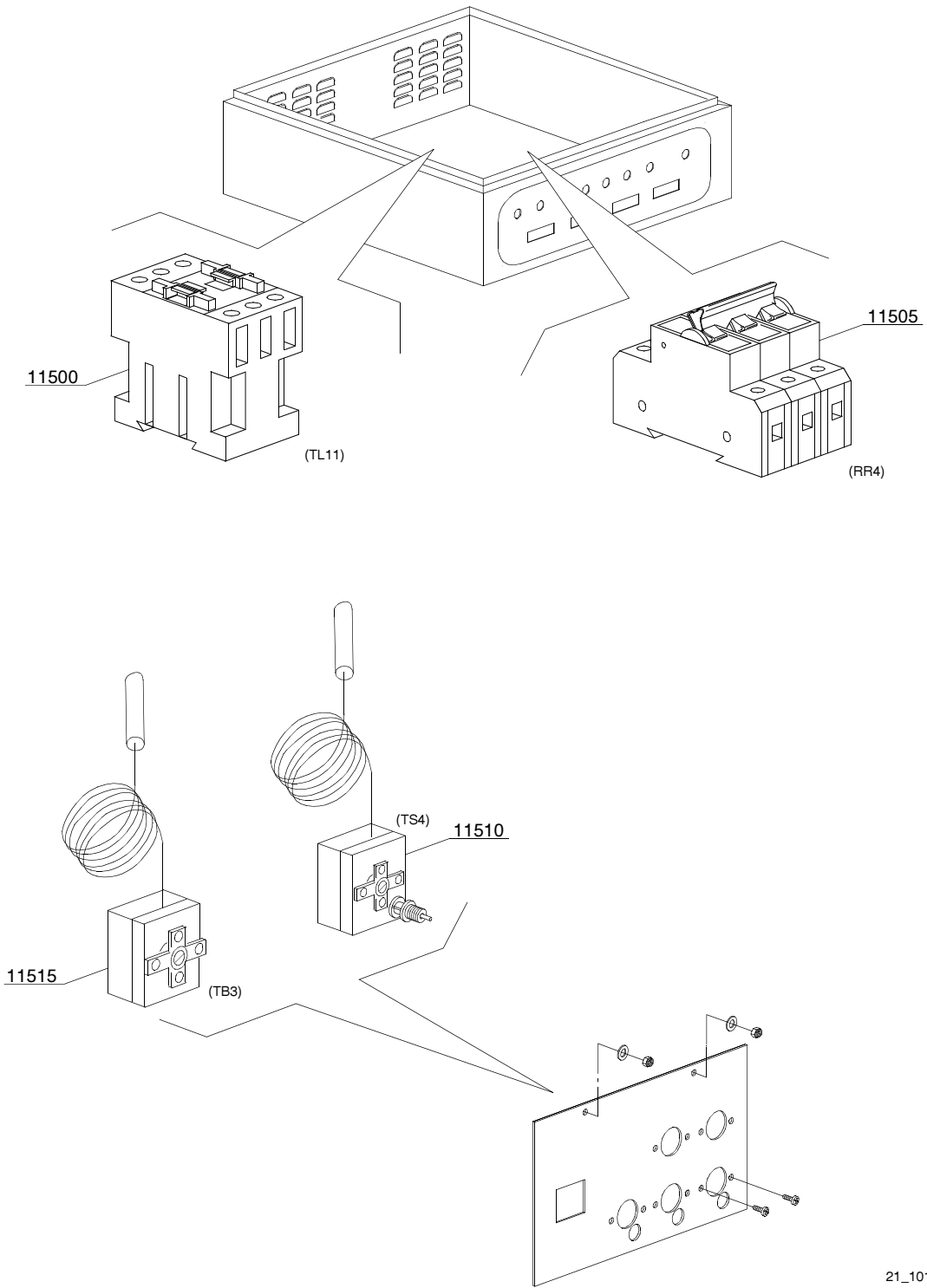
Spare parts

ID	P-code	Model	Type	Accessory	Voltage	Description
MODULE:Steam condenser - part 3						
30500	2000390		39	sc9	A	Motorprotector 1 - 1.6A
30505	3006080		39	sc9	A	Auxiliary contact LMS25
30510	2000370		39	sc9	A	Contactore MC9



Spare parts

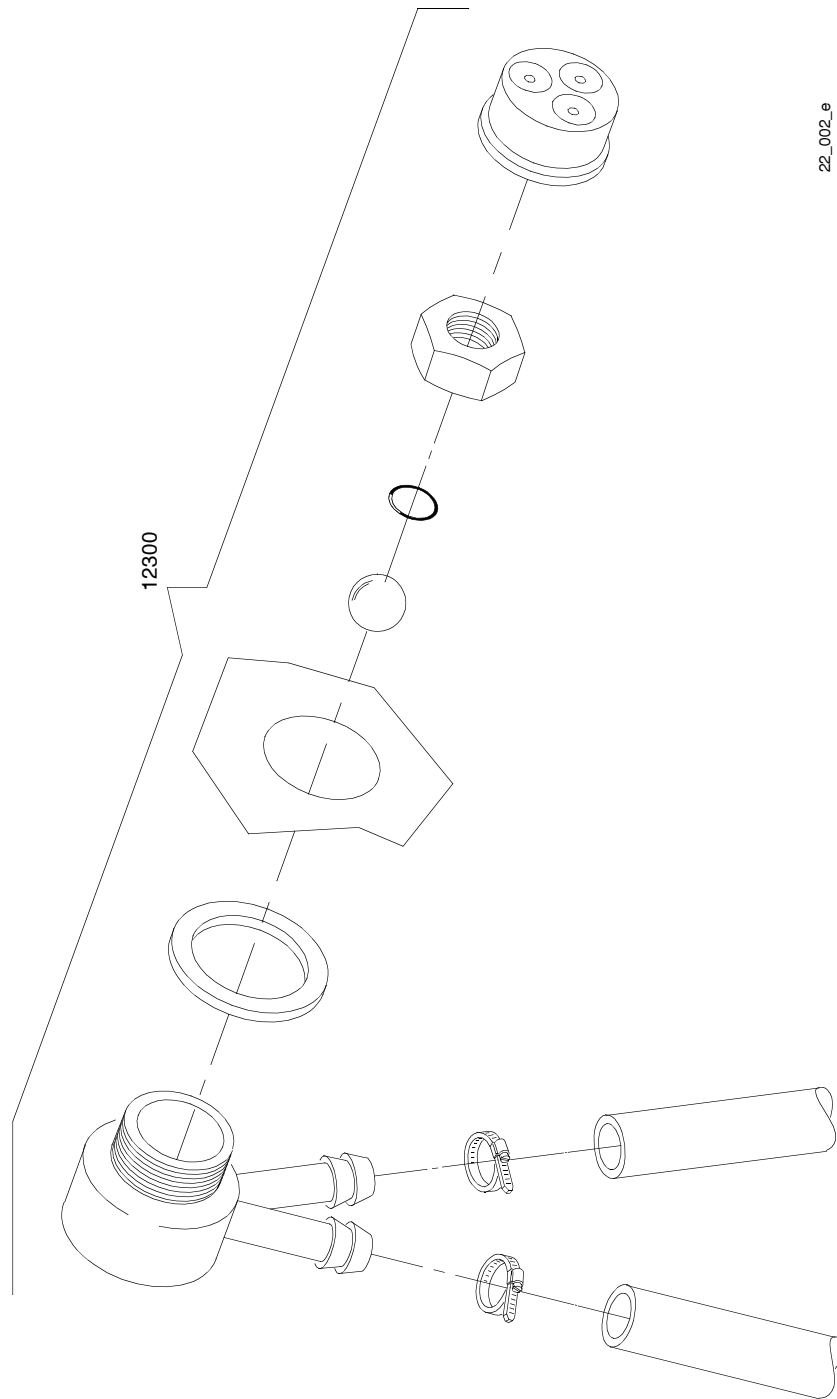
ID	P-code	Model	Type	Accessory	Voltage	Description
MODULE:Additional boiler components						
11300	75205		39	cw		Bottom boiler insulating
11305	30002030		39	cw		Boiler insulating
11310	3007012		39	cw		Boiler
11315	13015		39	cw		O-ring 160 (6225)
11320	75311		39	cw		Heating element cover
11325	16045		39	cw		Heating element support Ø6,3
11330	30001010		39	cw	A	Heating element 6kW
11330	30001011		39	cw	A	Heating element 9kW
11330	30001011/A		39	cw	A	Heating element 12kW
11330	30001011/B		39	cw	A	Heating element 14kW



21_101_€

Spare parts

ID	P-code	Model	Type	Accessory	Voltage	Description
MODULE:Additional boiler: electrical components						
11500	2000380		39	cw	A	Contactactor BF12 (heating element < 9 kW)
11500	2000385		39	cw	A	Contactactor BF20 (heating element > 9 kW)
11505	2000403		39	cw	A	Automatic fuse C20 (heating element < 9 kW)
11505	2000404		39	cw	A	Automatic fuse C25 (heating element > 9 kW)
11510	2000430		39	cw		Safety thermostat
11515	10707/1		39	cw		Thermostat 0 - 90° (TB2)

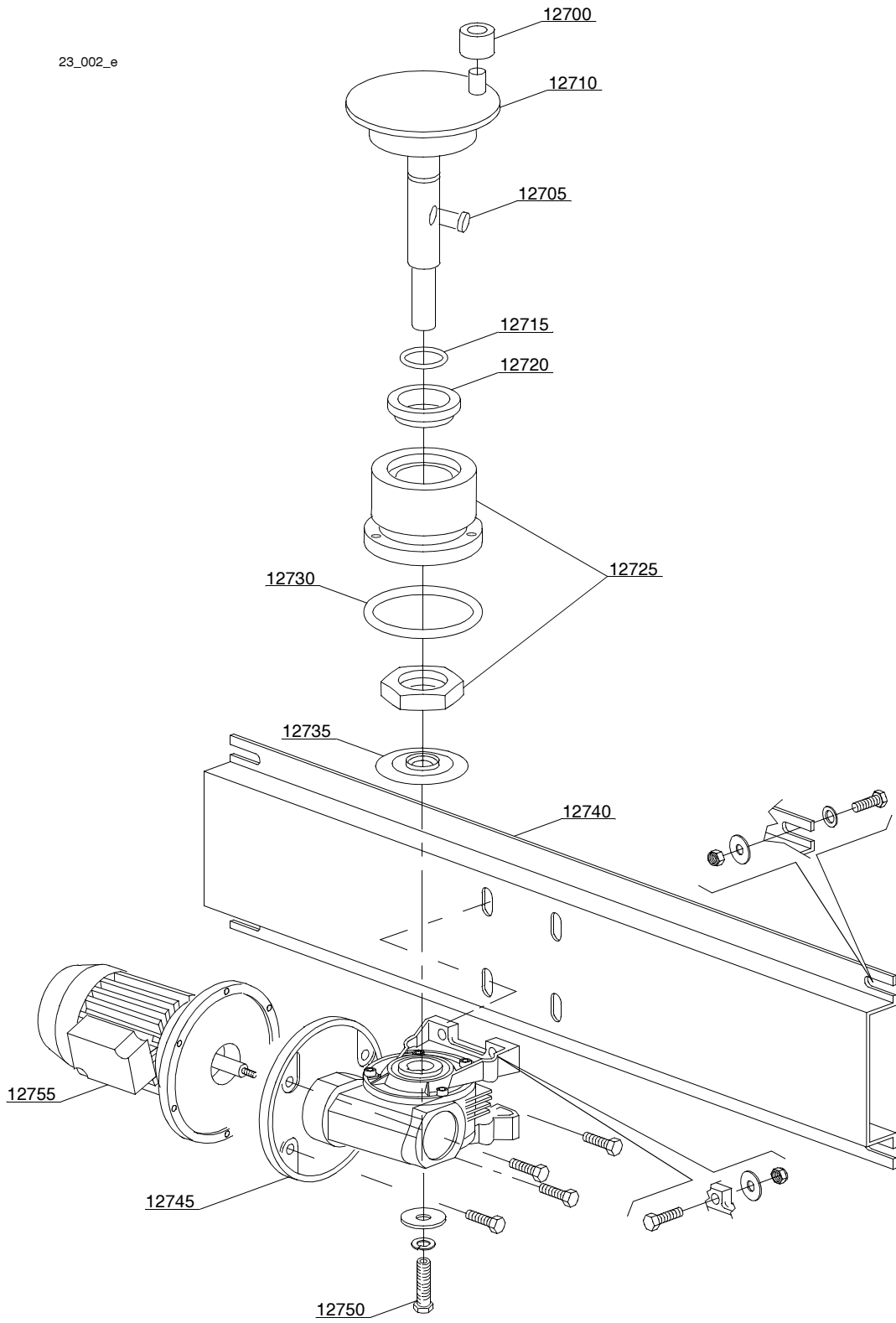


22_002_e

Spare parts

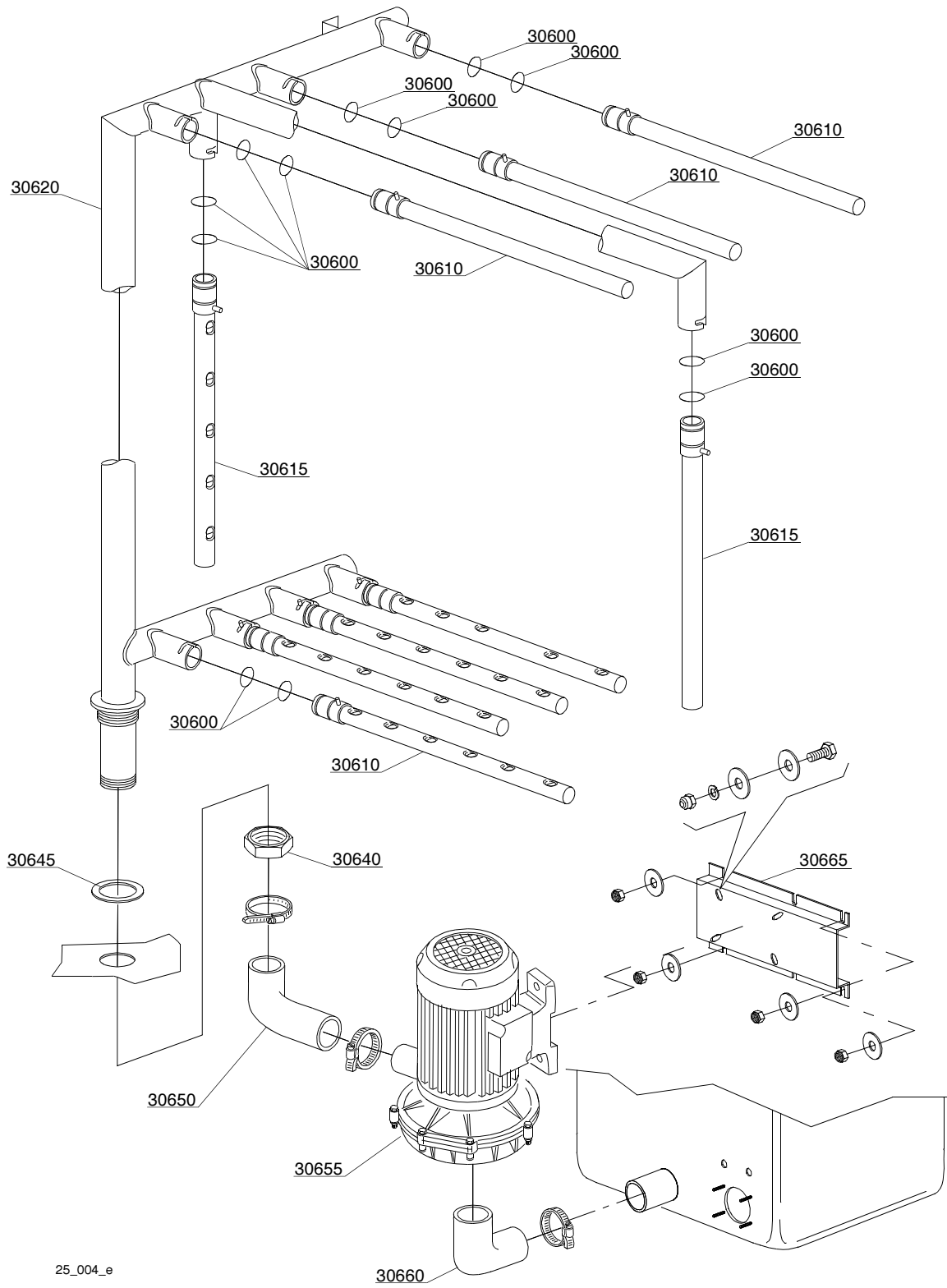
ID	P-code	Model	Type	Accessory	Voltage	Description
MODULE:DVGW valve						
12300	999900006		39	dvgw		DVGW valvola assembly

23_002_e



Spare parts

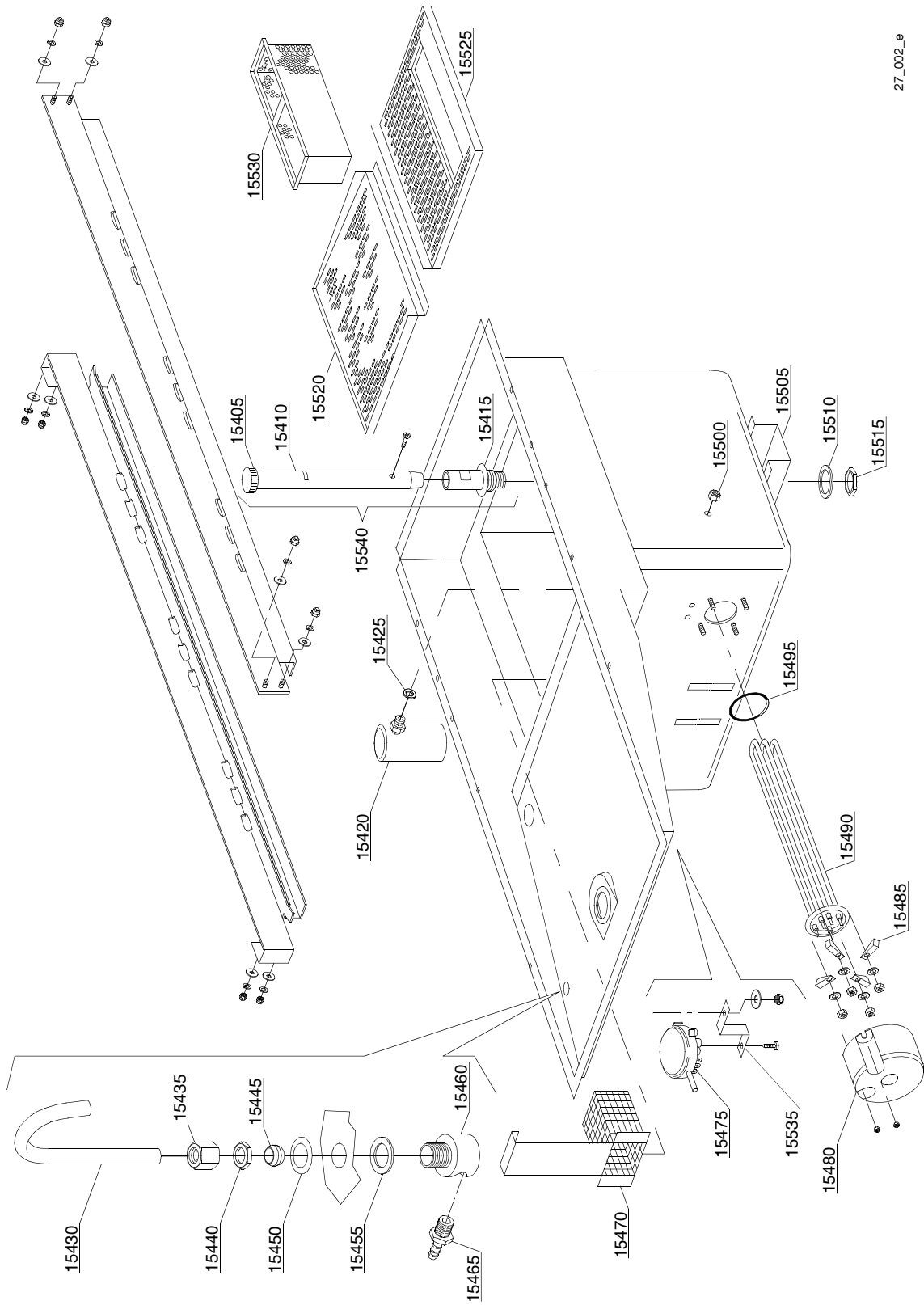
ID	P-code	Model	Type	Accessory	Voltage	Description
MODULE:Motorgear components module 1300						
12700	3003012		39			Conveyor roller
12705	2001046		39			Key
12710	3003116		39			Crank shaft
12715	13023		39			O-ring 131 (4093)
12720	13024		39			Oil splash guard DEM 40 TC 30x42x7 with spring
12725	3004131		39			Coupling part serie
12730	13015		39			O-ring 160 (6225)
12735	3004161		39			Protection disk
12740	3009060		39			Motorgear support
12745	3000210		39			Gear right 1:80
12745	3000211		39			Gear left 1:80
12745	3000216		39			Gear right 1:36
12745	3000217		39			Gear left 1:36
12750	11165		39			Screw
12755	3000107		39		A	Conveyor motor
12755	3000108		39			Conveyor motor
12755	3000110		39		A	Conveyor motor
12755	3000109		39	csa		Conveyor motor



25_004_e

Spare parts

ID	P-code	Model	Type	Accessory	Voltage	Description
MODULE:Washing components						
30600	13000		39			O-ring 3125
30610	3019080		39			Horizontal wash arm
30615	3004120		39			Vertical wash arm
30620	3004055		39			Right wash ramp
30620	3004056		39			Left wash ramp
30640	10600012		39			Flat nut
30645	10200173/A		39			Gasket 75x58x3
30650	3004025		39			Elbow coupling press.
30655	80917		39		A	Pump 2,6 kW
30660	3002020		39			Suction elbow coupling
30665	3009148		39			Pump support

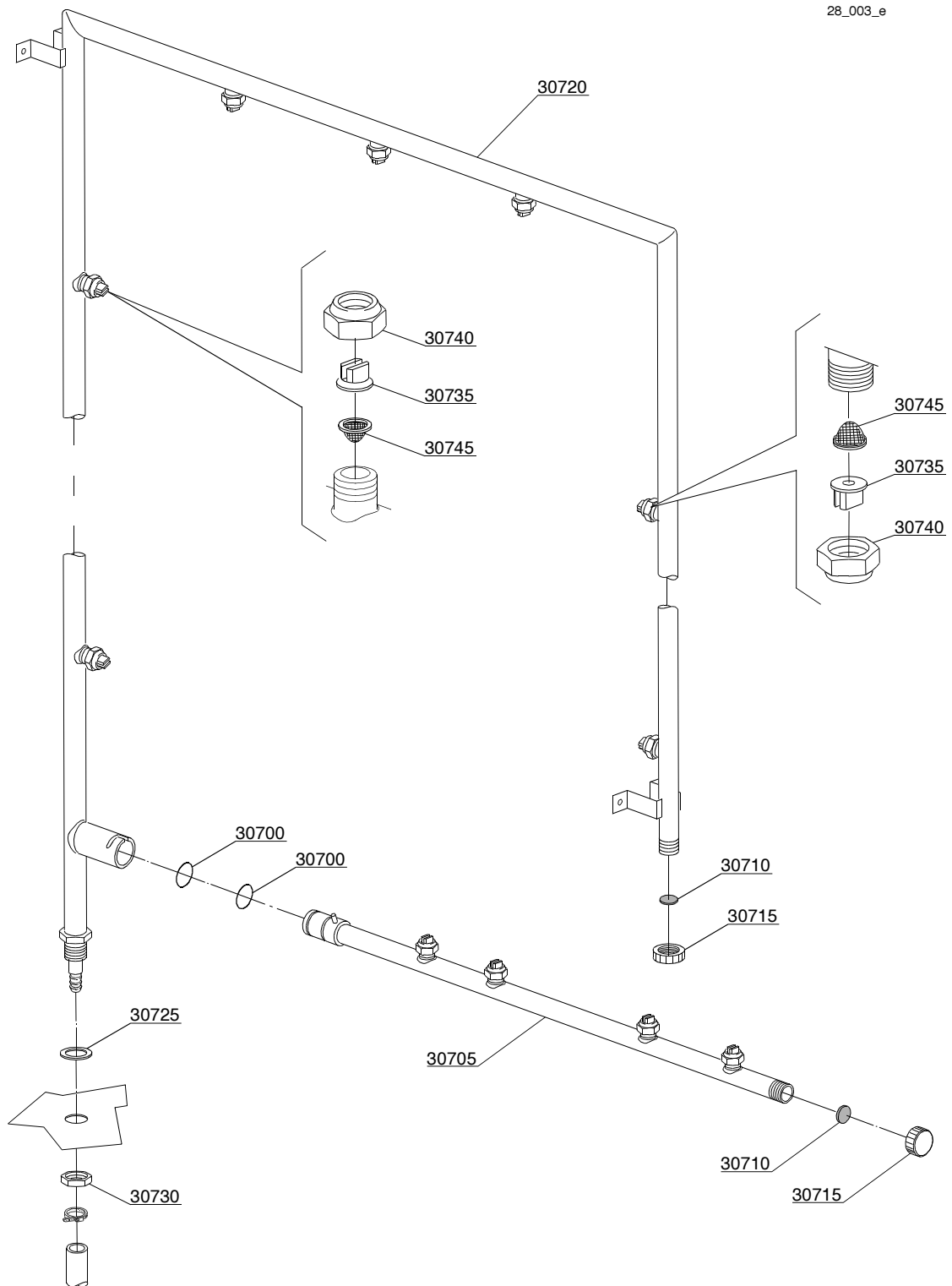


27_002_e

Spare parts

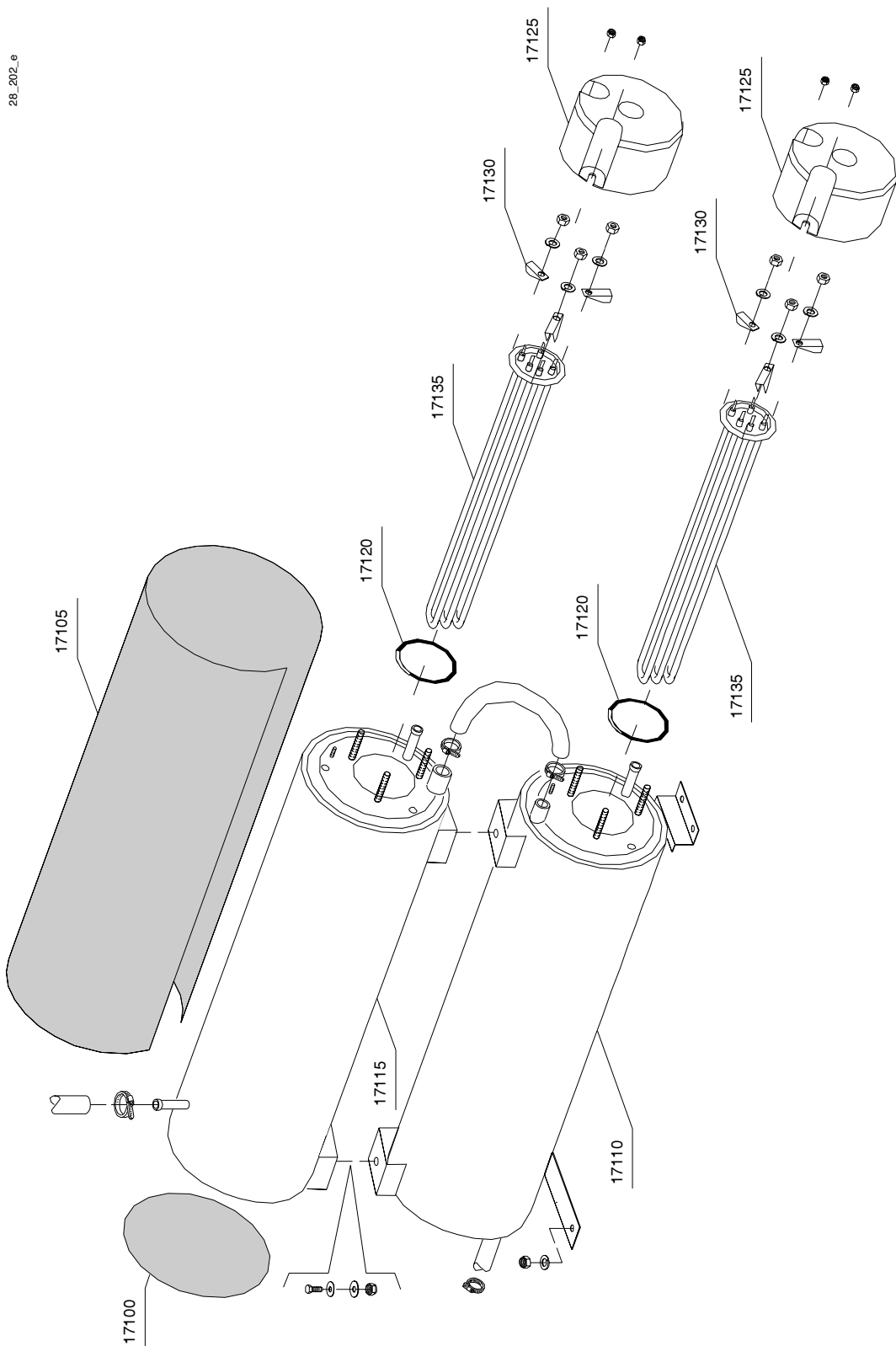
ID	P-code	Model	Type	Accessory	Voltage	Description
MODULE:Internal components washing module 1300						
15405	88105		39			Overflow pipe plug
15410	2000477		39			Overflow pipe
15415	3004099		39			Overflow device support
15420	80106		39			Air trap
15425	13301		39			Gasket ROLMART 14x8x1.5
15430	3004054		39			Inlet pipe
15435	10600016		39			Nut
15440	10200101		39			Nut
15445	10200182		39			Cone
15450	3009387		39			Washer
15455	10200171		39			Gasket FASIT 25x17x2
15460	80231		39			Fitting
15465	12005		39			Hose holder
15470	3019071		39			Pump suction-filter
15475	88110		39			Pressure switch (260-30)
15480	75311		39			Heating element cover
15485	16045		39			Heating element support Ø6.3
15490	30001011		39		A	Heating element 9kW
15490	30001011/A		39		A	Heating element 12kW
15490	30001011/B		39		A	Heating element 14kW
15495	13015		39			O-ring 160 (6225)
15500	11702		39			Nut
15505	3009299		39			Tank support
15510	10200173		39			Gasket 75x58x3
15515	10600012		39			Flat nut
15520	3009567		39			Strainer plate, back
15525	3019074		39			Strainer plate front
15530	3019065		39			Scrap tray
15535	3009363		39			Pressure switch support
15540	3004115		39			Overflow pipe assembly

28_003_e

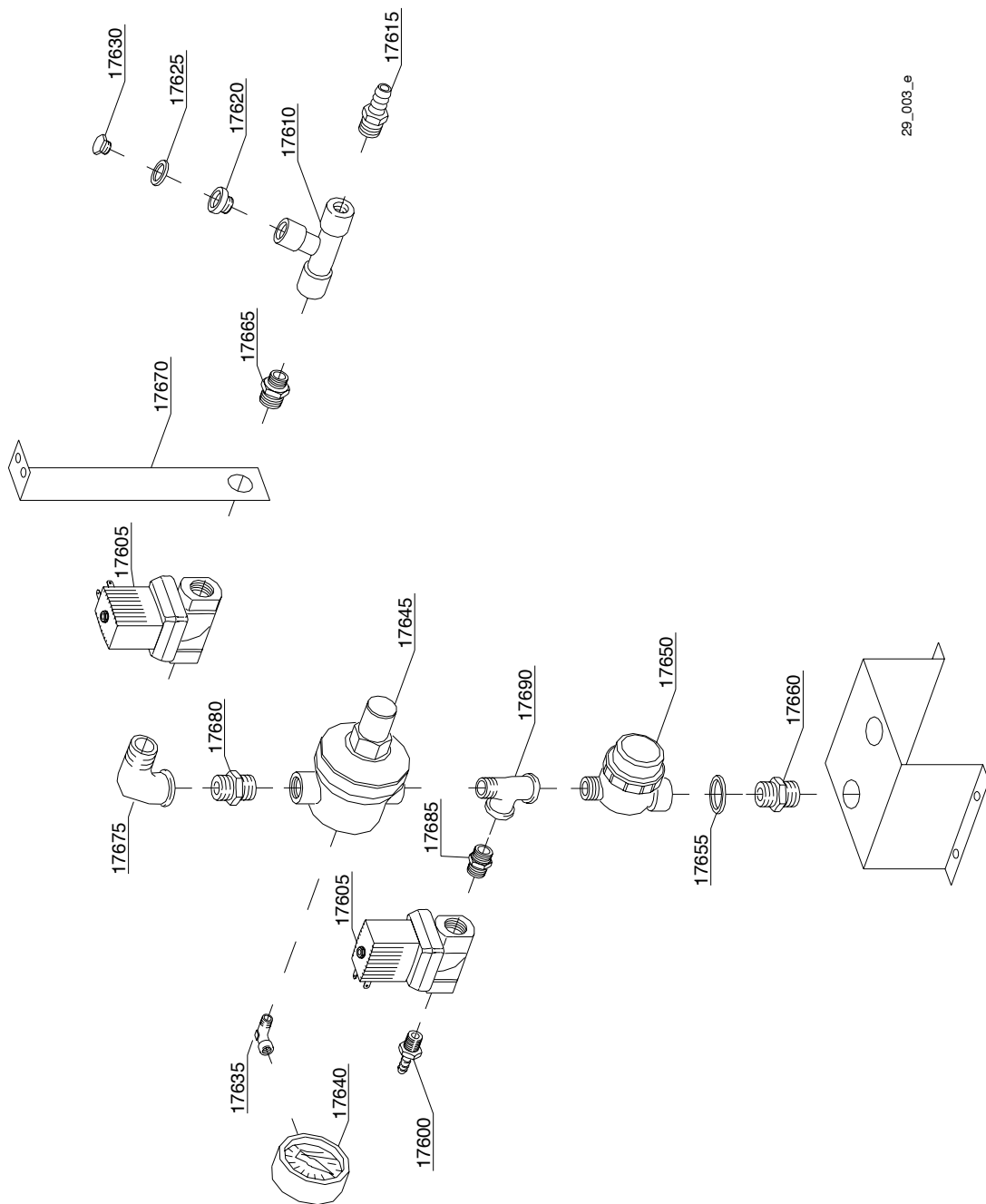


Spare parts

ID	P-code	Model	Type	Accessory	Voltage	Description
MODULE:Rinsing components						
30700	13025		39			O-ring 2081
30705	3003080		39			Rinsing arm 4n
30710	2002051		39			Gasket EPDM 17.5x1.5
30715	2002054		39			Plug for arm
30720	3004123		39			Rinsing ramp
30725	13326		39			Gasket 38x27x2
30730	2200103		39			Nut
30735	2200114		39			Nozzle
30740	2200116		39			Nut
30745	2200117		39			Filter



ID	P-code	Model	Type	Accessory	Voltage	Description
MODULE:Boiler components						
17100	75205		39			Bottom boiler insulating
17105	30002030		39			Boiler insulating
17110	3007012		39			Boiler
17115	3007013		39			Boiler
17120	13015		39			O-ring 160 (6225)
17125	75311		39			Heating element cover
17130	16045		39			Heating element support Ø6.3
17135	30001011		39		A	Heating element 9kW
17135	30001011/A		39		A	Heating element 12kW
17135	30001011/B		39		A	Heating element 14kW

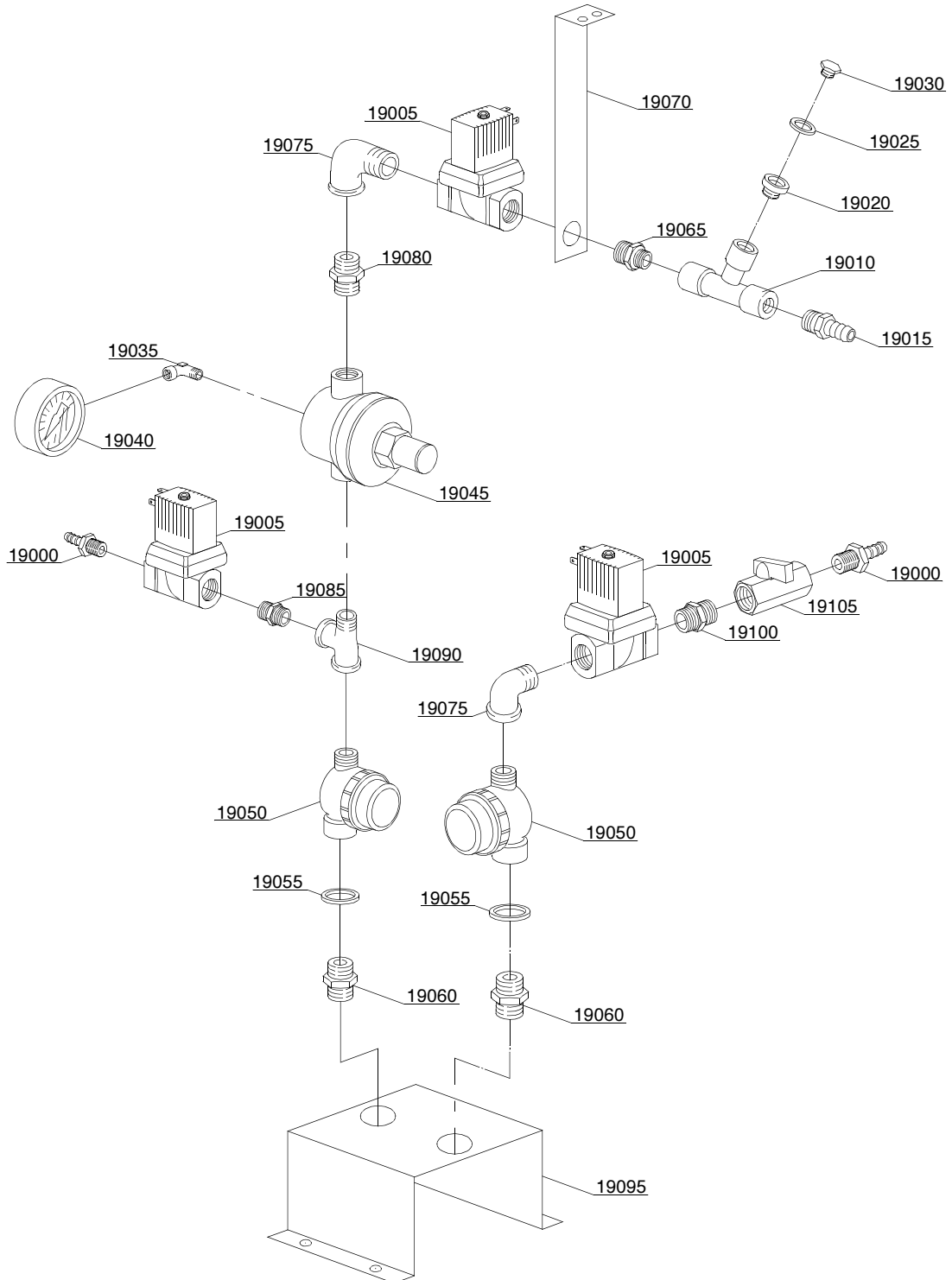


29_003_e

Spare parts

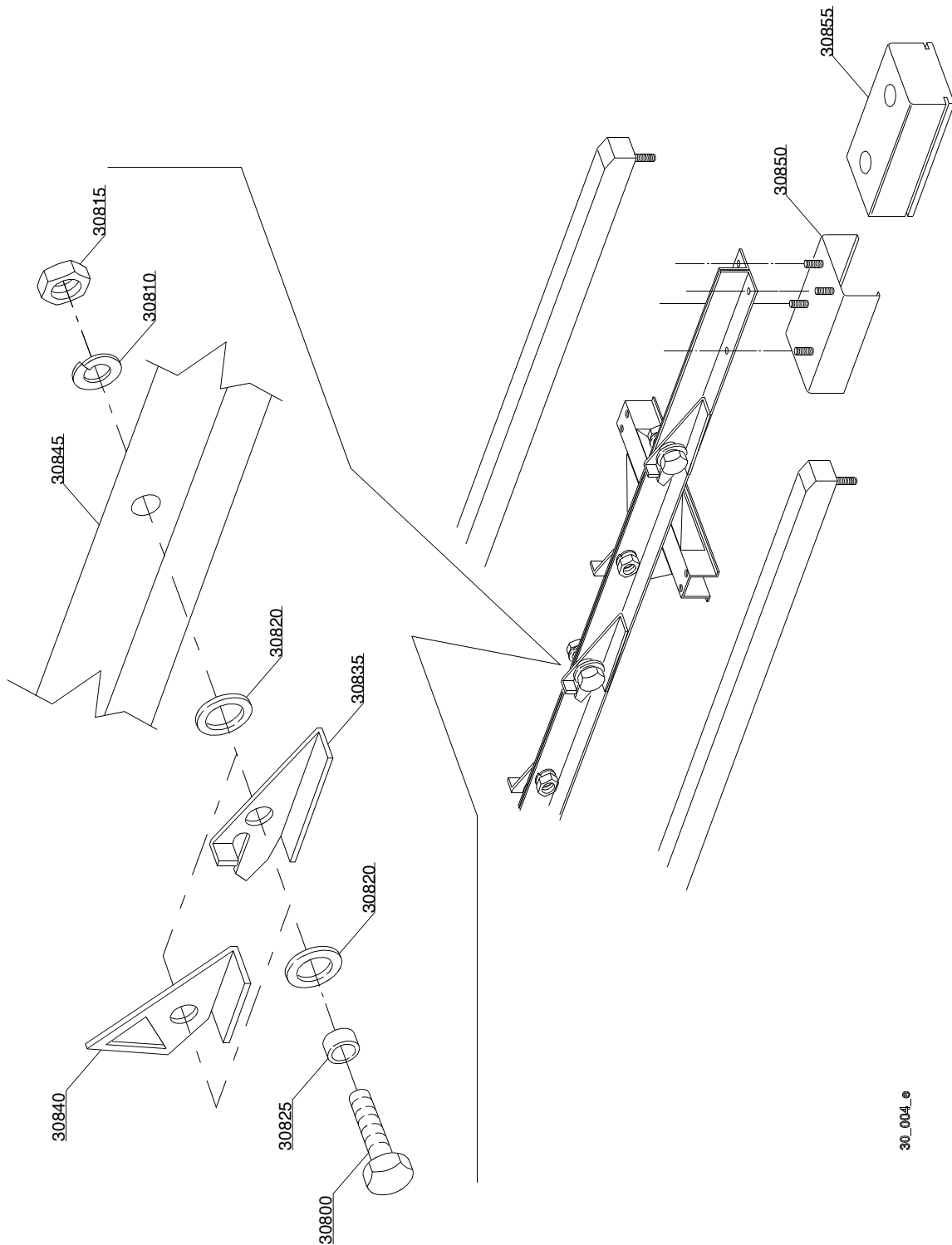
ID	P-code	Model	Type	Accessory	Voltage	Description
MODULE:Solenoid valves components: tank loading + rinsing						
17600	12023		39			Hose holder
17605	3002030		39			Solenoid valve
17610	12008		39			Connection T
17615	12005		39			Hose holder
17620	12032		39			Reduction nipples
17625	13309		39			Gasket 14x10x1.5
17630	12002		39			Plug
17635	12012		39			Elbow
17640	2000244		39			Pressure reduction gauge
17645	2000364		39			Pressure reduction valve
17650	2000121		39			Filter
17655	13326		39			Gasket 38x27x2
17660	12025		39			Nipples
17665	12033		39			Nipples
17670	3009585		39			Solenoid valve support
17675	3002141		39			Elbow
17680	10200208		39			Nipples
17685	3002145		39			Reduction nipples
17690	3002144		39			Connection T

29_004_e



Spare parts

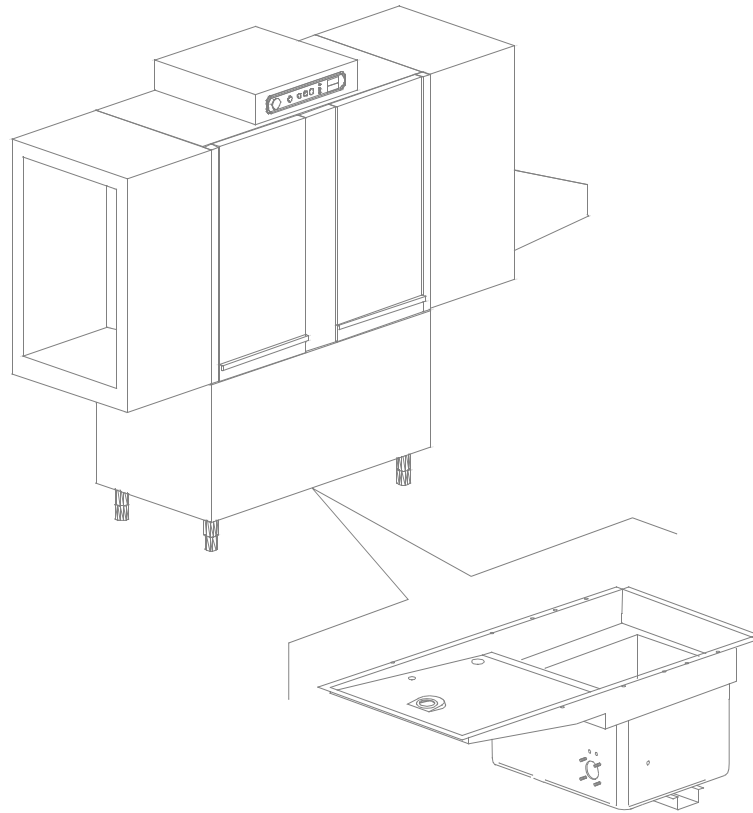
ID	P-code	Model	Type	Accessory	Voltage	Description
MODULE:Solenoid valves components: tank loading + rinsing + steam condenser						
19000	12023		39	sc9		Hose holder
19005	3002030		39	sc9		Solenoid valve
19010	12008		39	sc9		Connection T
19015	12005		39	sc9		Hose holder
19020	12032		39	sc9		Reduction nipples
19025	13309		39	sc9		Gasket 14x10x1.5
19030	12002		39	sc9		Plug
19035	12012		39	sc9		Elbow
19040	2000244		39	sc9		Pressure reduction gauge
19045	2000364		39	sc9		Pressure reduction valve
19050	2000121		39	sc9		Filter
19055	13326		39	sc9		Gasket 38x27x2
19060	12025		39	sc9		Nipples
19065	12033		39	sc9		Nipples
19070	3009585		39	sc9		Solenoid valve support
19075	3002141		39	sc9		Elbow
19080	10200208		39	sc9		Nipples
19085	3002145		39	sc9		Reduction nipples
19090	3002144		39	sc9		Connection T
19095	3009220		39	sc9		Solenoid valve support
19100	12027		39	sc9		Nipples
19105	3002140		39	sc9		Tap



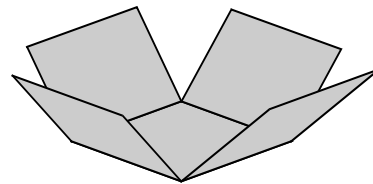
30_004_e

Spare parts

ID	P-code	Model	Type	Accessory	Voltage	Description
MODULE:Conveyor parts						
30800	11109		39			Screw
30810	11609		39			Split washer
30815	11719		39			Nut
30820	3003024		39			Washer
30825	3003025		39			Bush
30835	3003100		39			Clip right
30835	3003101		39			Clip left
30840	3003102		39			Right pawl
30840	3003103		39			Left pawl
30845	3009132		39			Right mobile frame
30845	3009133		39			Left mobile frame
30850	3009358		39			Guide
30855	3003068		39			Mobile frame sliding guide

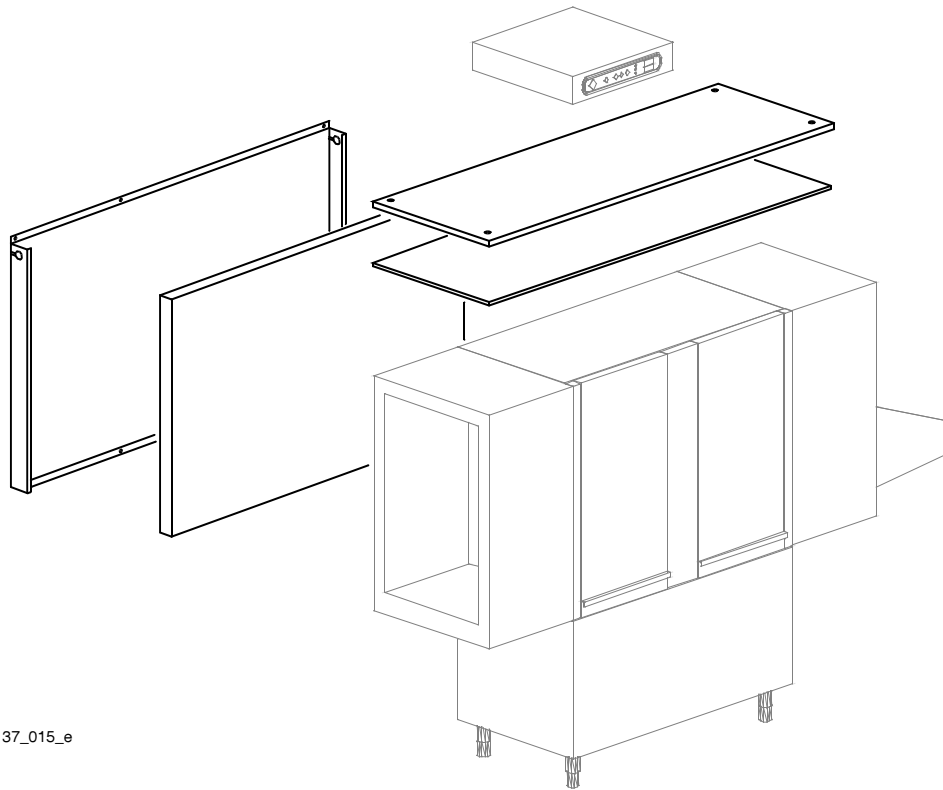


36_015_e



Spare parts

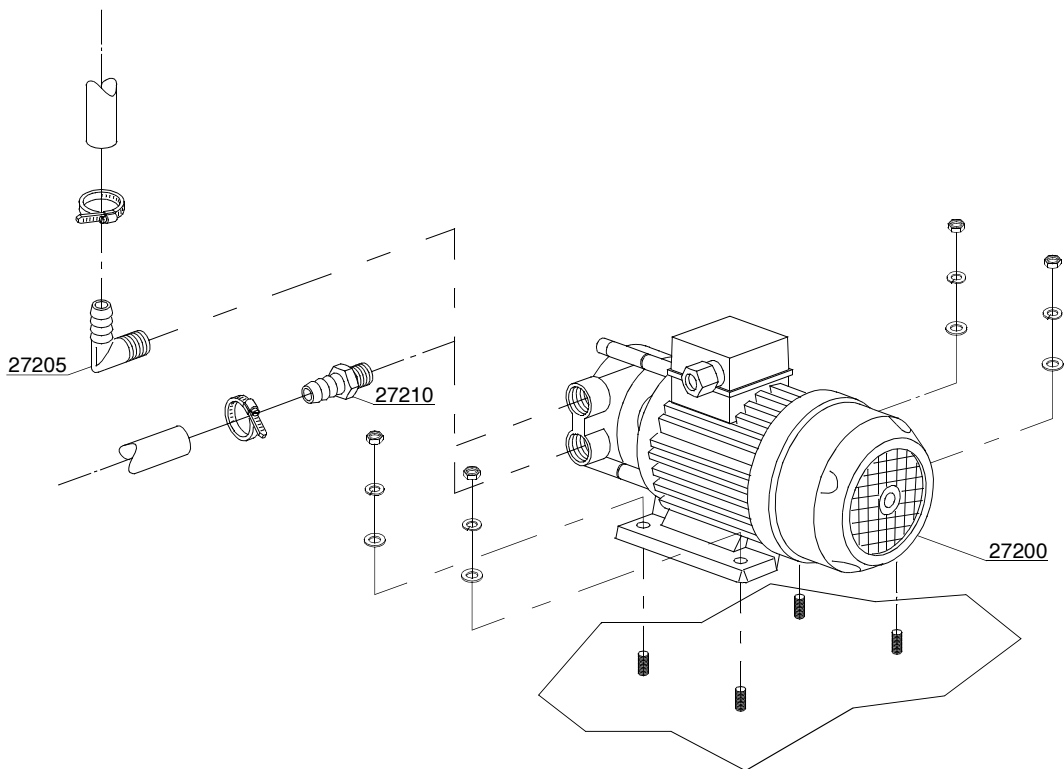
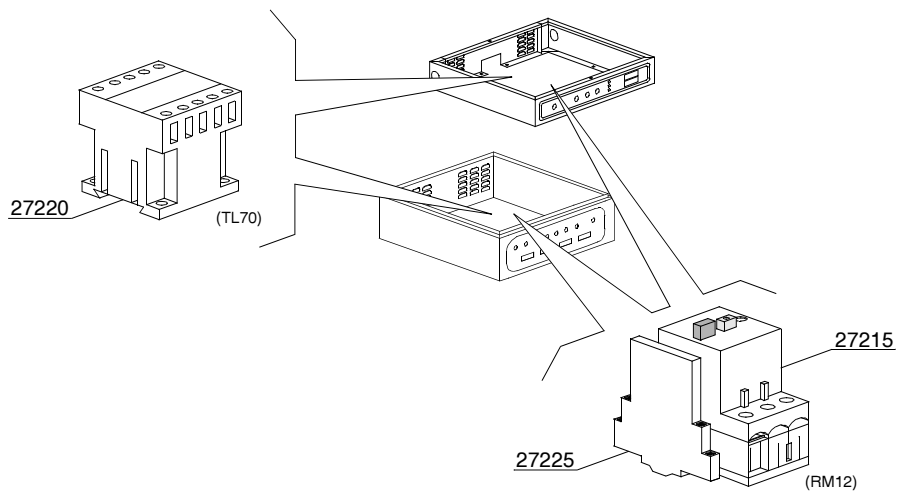
ID	P-code	Model	Type	Accessory	Voltage	Description
MODULE:Tank insulation						
	999910207		39	ti		Tank insulation
N.B.: kit suppliable only togeter with the machine, not after						



37_015_e

Spare parts

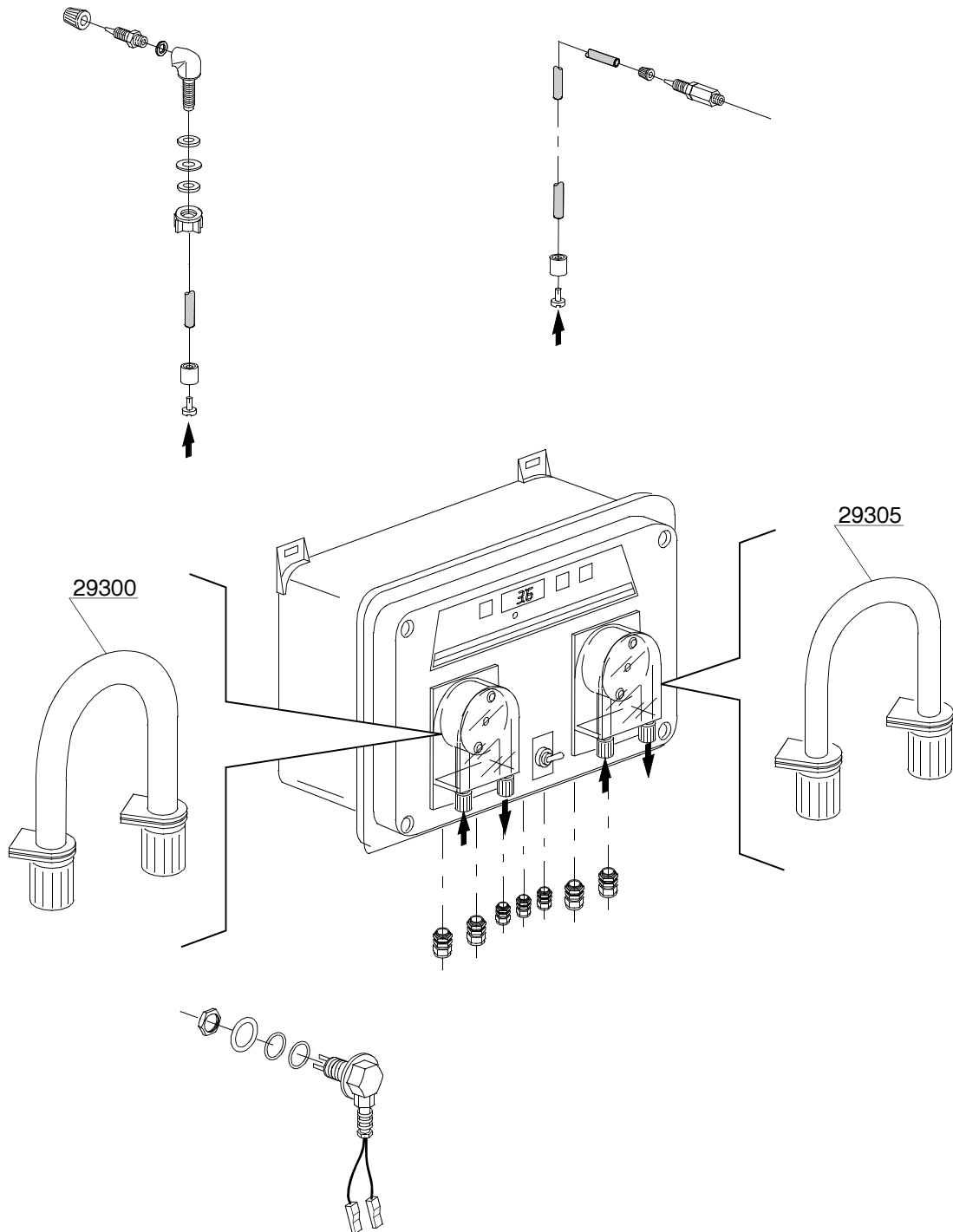
ID	P-code	Model	Type	Accessory	Voltage	Description
MODULE:Double skin						
	999910206		39	ds		Double skin assembly
N.B.: kit suppliable only togeter with the machine, not after						



38_001_e

Spare parts

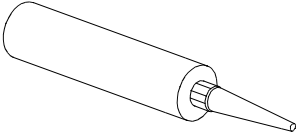
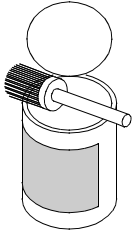
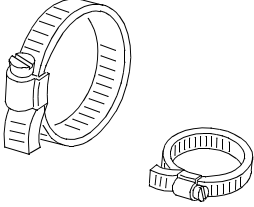
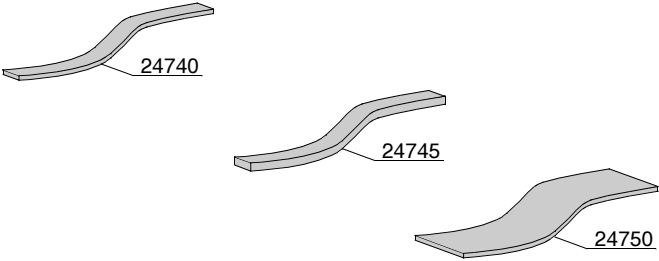
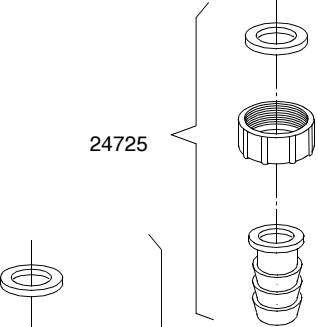
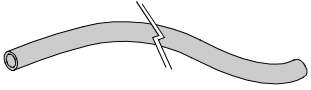
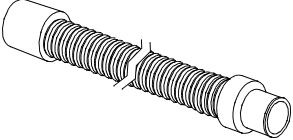
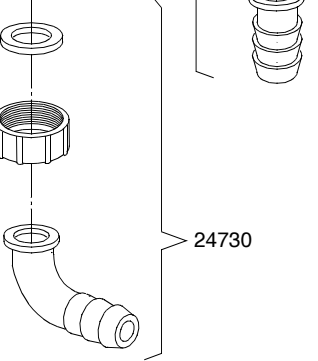
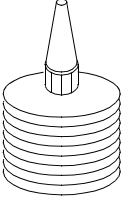
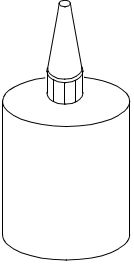
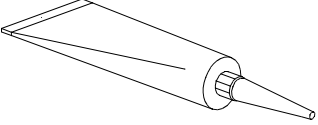
ID	P-code	Model	Type	Accessory	Voltage	Description
MODULE:Booster pump						
27200	15100		39	bp		Booster pump
27205	12030		39	bp		Elbow pipe fitting
27210	10221311		39	bp		Pipe fitting
27215	2000394		39	bp		Motorprotector 2,5-4A
27220	2000370		39	bp		Contactora MC9
27225	3006080		39	bp		Auxiliary contact LMS25



39_001_e

Spare parts

ID	P-code	Model	Type	Accessory	Voltage	Description
MODULE:Dispensers SDN-3 [
	15181		39	sdn3		Dispensers assembly SDN-3
29300	15185		39	sdn3		Pipe fitting for detergent dispenser
29305	15186		39	sdn3		Pipe fitting for rinse dispenser

 <p>24700</p>	 <p>24705</p>	 <p>24760</p>
 <p>24740</p> <p>24745</p> <p>24750</p>		 <p>24725</p>
 <p>24755</p>	 <p>24735</p>	 <p>24730</p>
 <p>24765</p>	 <p>24770</p>	 <p>24775</p>

Spare parts

ID	P-code	Model	Type	Accessory	Voltage	Description
MODULE:Accessory						
24700	---		39			Silicone UNI 9610 - UNI 9611
24705	---		39			Grease for high temperatures CCIAA 629224
24705	---		39			Grease for food - Loctite 8104 Cat. N° 26560
24725	15613/A		39			Fitting exauster
24730	15613		39			"1" 1/4x30 nylon elbow"
24735	10727		39			Exauster pipe Ø 24mm
24735	10200112		39			Exauster pipe Ø 32mm
24740	15750		39			20x2 self-stick mousse
24745	15751		39			20x4 self-stick mousse
24750	15752		39			60x2 self-stick mousse
24755	2907350		39			Flexible pipe EPDM Ø12
24755	2907352		39			Flexible pipe EPDM Ø12 - WRAS
24755	2907353		39			Flexible pipe EPDM Ø12
24760	2902050		39			Steel hose clamp 15/24
24760	11806		39			Steel hose clamp 25/40
24760	11810		39			Steel hose clamp 40/60
24760	11824		39			Steel hose clamp 50/70
24760	2902491		39			Steel hose clamp 60/80
24765	---		39			-50°C +150°C threads dope
24770	---		39			Loctite 542 Cat.N° 54246 - DIN-DVGW 86.02 e 125
24770	---		39			Loctite 243 Cat.N° 18937 - 19386
24775	---		39			Loctite 511 Cat.N° 24003 - DIN-DVGW 86.01 e 125
24775	---		39			Loctite 577 Cat.N° 25392