



Würfeleisbereiter, Vollkegel 130 kg/24 h, 65 kg Eisvorratsbehälter

Artikel-Nr.
711049 (CB1265A)

Explosionszeichnung / Ersatzteile

Bitte bei Ersatzteilbestellung immer Artikelnummer und
Seriennummer mit angeben!



CB 1265

LIST OF THE EXPLODED VIEWS



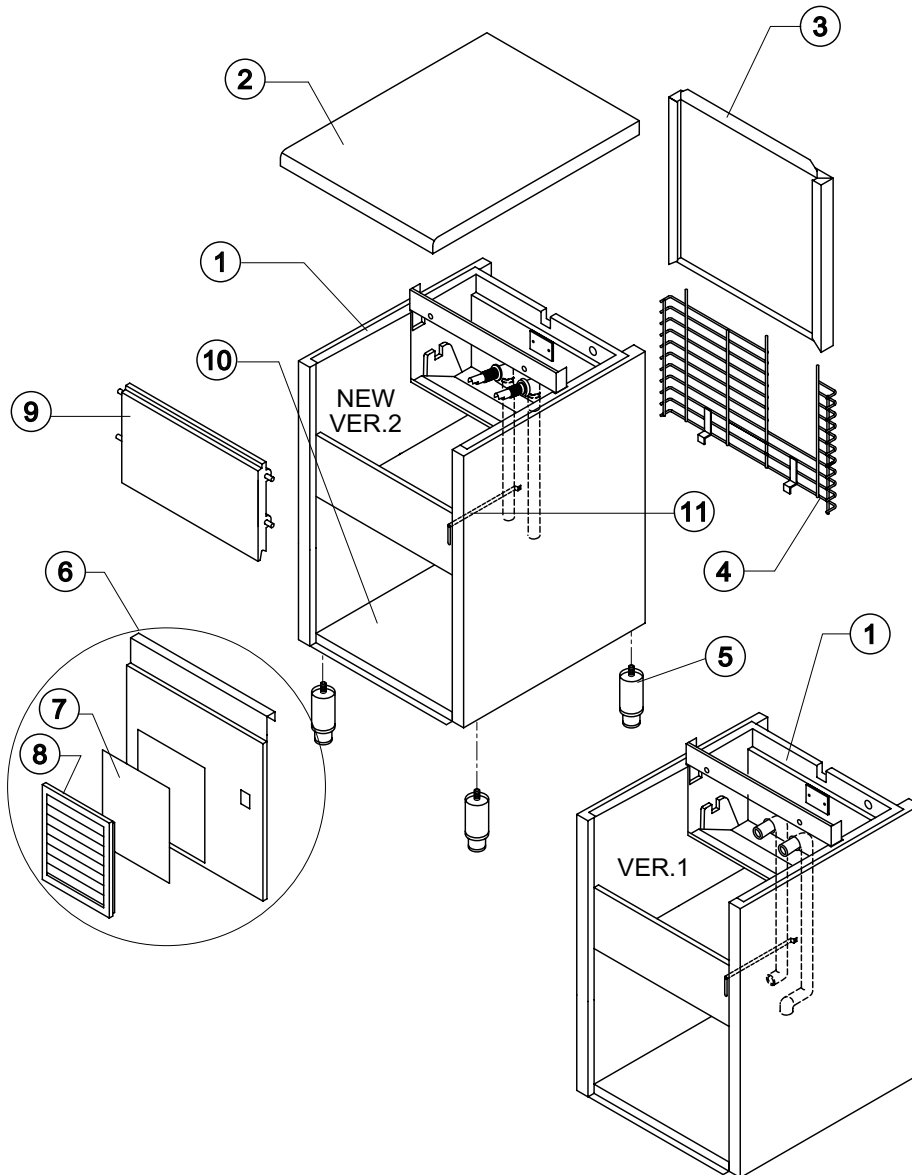
SHELL ASSY

COOLING SYSTEM

HYDRAULIC CIRCUIT

ELECTRIC PARTS

Rev. 5 - 21/07/2005



Rev. 5 - 21/07/2005

Ref.	Spare Description	Code
1	Foamed Cabinet Assy	See Table
2	Top Assembly	C22688
3	Rear Panel Assembly	C21209
4	Rear Grid	D12021
5	Adjustable Stainless Steel Foot	Current Version
5	ABS Foot	Till s/n. 142534
6	Front Grid Panel	C22564
7	Filtering Panel	18106
8	Frame with Grid & Filter	C10205
9	Door Assy	C10275
10	Base Plate	Current Version
10	Base Plate	Till s/n. 142534
11	Bulbe-holder Pipe	20521

Ref. 1 - Foamed Cabinet Assy

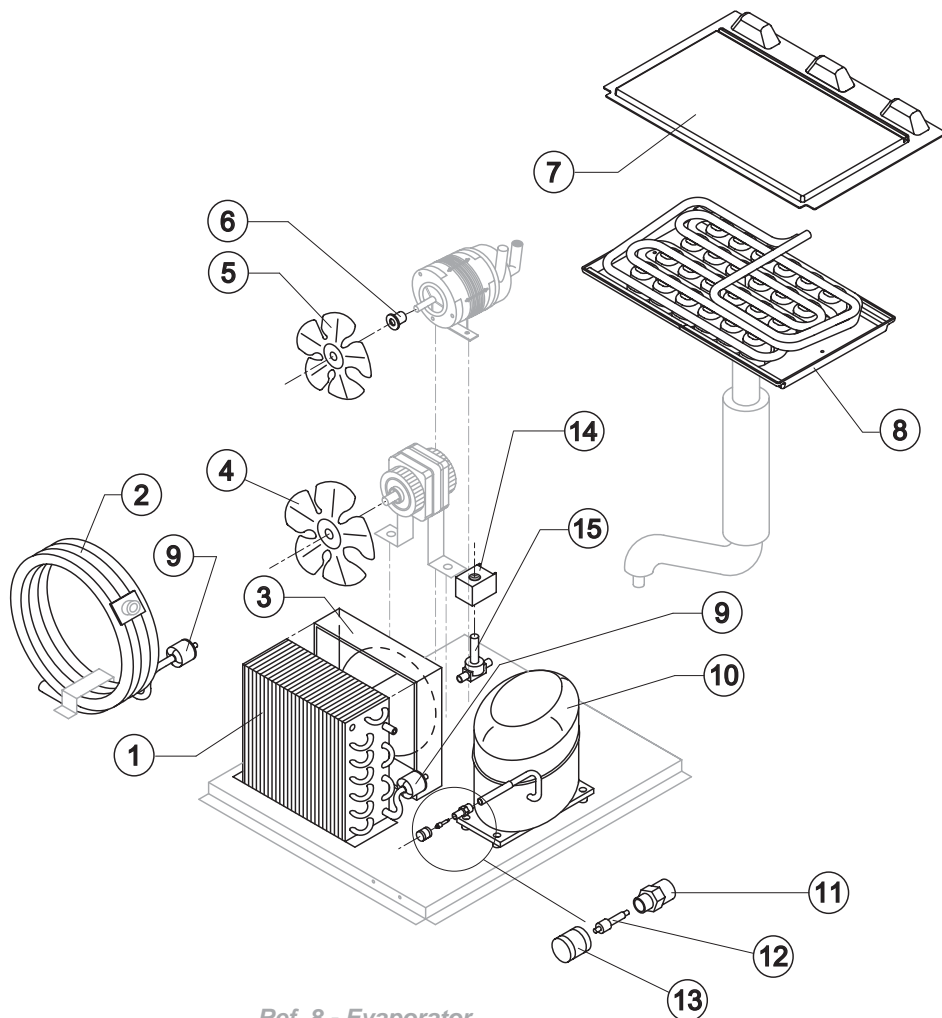
Code	Condensation	Note
C11086A	Air	Version 2
C11086W	Water	Version 2
C11086/E		Version 1



CB 1265

COOLING SYSTEM

Rev. 5 - 21/07/2005



Ref. 8 - Evaporator

Kind of Cube	Code
18 g. (Standard)	D10214
33 g.	D10092
13 g.	D10126
42 g.	D10477

Common Parts

Ref.	Spare Description	Code
5	Sucking Fan	10213
6	Fan Fixing Hub	10014
7	Evaporator Cover Panel	Current Version 10450
7	Evaporator Cover Panel	Till s/n. 224687 10058
8	Evaporator	See Table -
9	Solid Core Drier	14089
10	Compressor	See Table -
11	Vacuum-Charge Valve Body	14007
12	Vacuum-Charge Valve Device	14005
13	Vacuum-Charge Valve Plug	14006
14	Hot Gas Valve Coil	See Table -
15	Hot Gas Valve Body	20409

Parts for Air-Cooled Version Only

Ref.	Spare Description	Code
1	Air Condenser	20264
3	Air Condenser Conveyor	10163
4	Sucking Fan	20031

Parts for Water-Cooled Version Only

Ref.	Spare Description	Code
2	Water Condenser	14034
4	Sucking Fan	Till s/n. 219960 10213

Ref. 10 - Compressor

Tension	Code
220/240V 50 Hz	23440
220/230V 60 Hz	23465
110/115V 60 Hz	23554

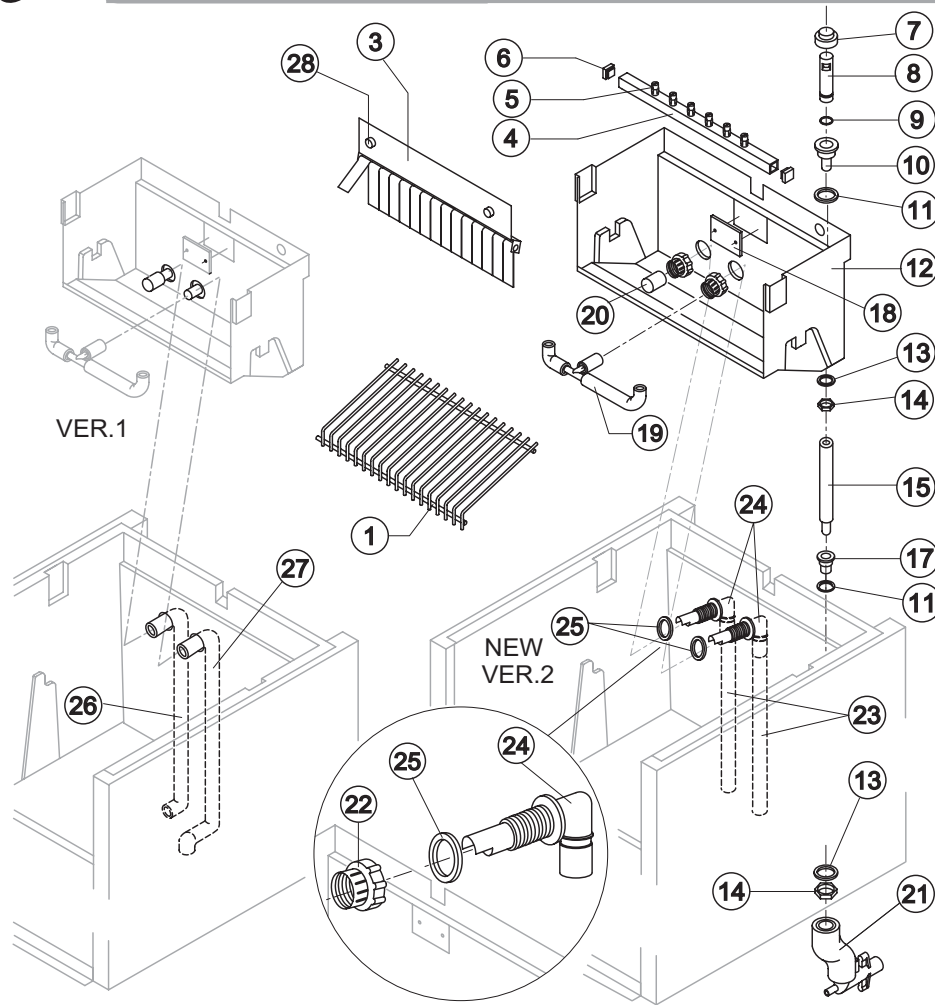
Ref. 14 - Hot Gas Valve Coil

Tension	Code
220/240V 50 Hz	23091
220/230V 60 Hz	23091
110/115V 60 Hz	23256



CB 1265

HYDRAULIC CIRCUIT



Common Parts

Ref.	Spare Description	Code
1	Ice Cubes Slide	See Table
3	Flags Support Assy	C22134
4	Sprayers Bar Assembly	See Table
5	Sprayer	D20002
6	Sprayers Bar Plug	10012
7	Overflow Cap	10305
8	Overflow Pipe	10133
9	OR Gasket for Overflow Pipe	20233
10	Overflow Pipe Nipple	10471
11	Silicone Gasket	13006
12	Inner Basin	10055
13	Semirigid Polyethylene Gasket	13007
14	Bin Discharge Nut	10096
15	Overflow Pipe Assembly	13155
17	Water Outlet Nipple	10472
18	Slide Keep Plate	Till s/n. 233769 10009
19	Sprayers Bar Pipe Connection Assy	C13036
20	Pump Suction Filter	20005
22	Fitting Locking Ring	Version 2 10405
23	Pump Suction/Delivery Pipe	Version 2 13142
24	Fitting of the Pump Suction/Delivery Pipes	Version 2 10404
25	Gasket for Pump Suction/Delivery Pipes	Version 2 13143
26	Pump Suction Pipe	Version 1 13096
27	Pump Delivery Pipe	Version 1 13095
28	Fixing Screw	20009

Ref. 1 - Ice Cube Slide

Kind of Cube	Code
18 g. (Standard)	D12022
33 g.	D12033
13 g.	D12040
42 g.	D12033

Ref. 4 - Sprayers Bar Ass.

Kind of Cube	Code
18 g. (Standard)	C20144
33 g.	C20157
13 g.	C20200
42 g.	C20157

Parts for Air-Cooled Version Only

Ref.	Spare Description	Code
21	Discharges Manifold	C10006

Parts for Water-Cooled Version Only

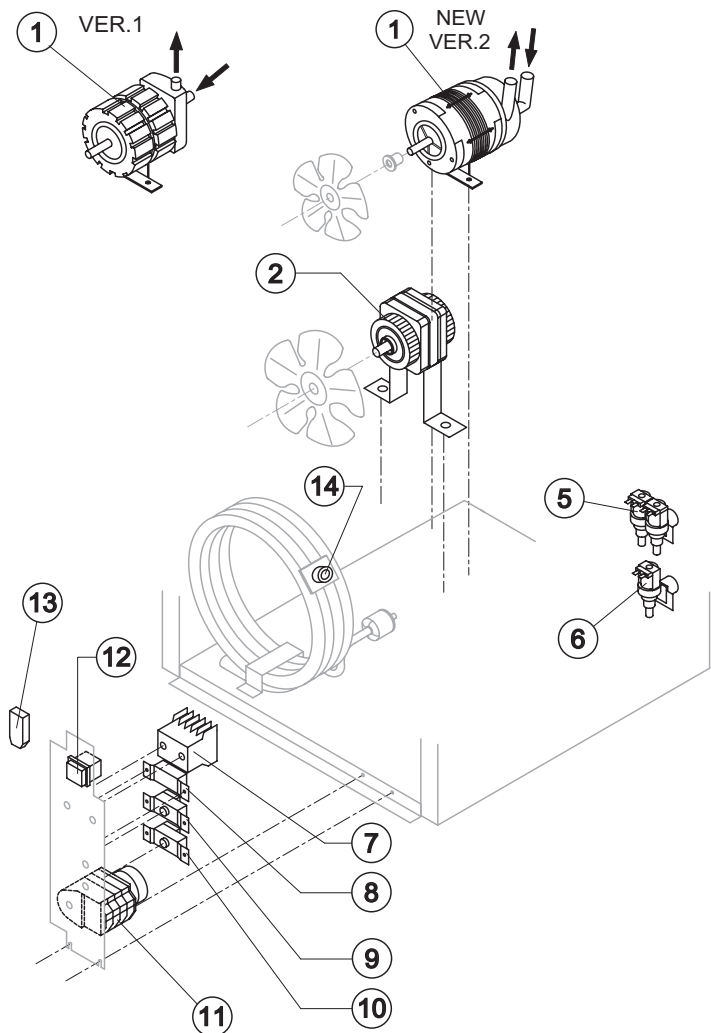
Ref.	Spare Description	Code
21	Discharges Manifold	C26452

Rev. 5 - 21/07/2005



CB 1265

ELECTRIC PARTS



Common Parts

Ref.	Spare Description	Code
1	Pump	See Table -
2	Fan Motor	See Table -
7	Contactor	Only 110V 60 Hz 23595
8	Condenser Pressure Switch	23175
9	Bin Thermostat	R23005
10	Evaporator Thermostat	R23591
11	Timer	See Table -
12	Green Light Switch (On-Off)	23327

Parts for Air-Cooled Version Only

Ref.	Spare Description	Code
6	1 Way- Water Inlet Valve	See Table -
13	Anti Radio Interference Filter	Only 220V 50 Hz C23459

Parts for Water-Cooled Version Only

Ref.	Spare Description	Code
5	2 Ways- Water Inlet Valve	See Table -
13	Anti Radio Interference Filter	Only 220V 50 Hz C23457
14	Safety Thermostat	C23114

Ref. 1 - Pump

Tension	Version 1	Version 2
220/240V 50 Hz	23068	23462
220/230V 60 Hz	23068	23462
110/115V 60 Hz	23264	23663

Ref. 2 - Fan Motor

Tension	Air	Water Till s/n. 219960
220/240V 50 Hz	23067	23029
220/230V 60 Hz	23681	23029
110/115V 60 Hz	23621	23683

Ref. 5 - 2 Ways- Water Inlet Valve

Tension	18g/13g Cube	33g Cube	42g Cube
220/240V 50 Hz	23157	23157	23157
220/230V 60 Hz	23157	23157	23157
110/115V 60 Hz	23282	23788	23788

Ref. 6 - 1 Way- Water Inlet Valve

Tension	18g/13g Cube	33g Cube	42g Cube
220/240V 50 Hz	23220	23220	23787
220/230V 60 Hz	23220	23787	23787
110/115V 60 Hz	23281	23789	23789

Ref. 11 - Timer

Tension	18 g Cube	33 g Cube	13 g Cube	42 g Cube
220/240V 50 Hz	23222	23248	23247	23780
220/230V 60 Hz	23248	23780	23247	23780
110/115V 60 Hz	23259	23786	23258	23786

Rev. 5 - 21/07/2005