

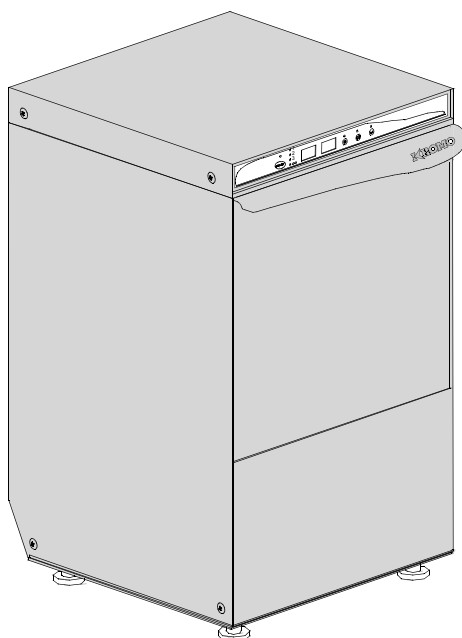
DISHWASHER

ELECTRONICAL SWITCHES
LOWER AND UPPER WASHING

TYPE: LUX60EL

Accessories
BREAK TANK
BOOSTER PUMP
DVGW
COLD RINSE
WATER SOFTNER
DETERGENT DISPENSER
DRAIN PUMP

Spare parts manual



Parti di ricambio Spare Parts Catalogues pièces

INFORMAZIONI GENERALI

Questo catalogo serve per richiedere con esattezza le parti di ricambio

Nelle ordinazioni indicare:

1) il numero dei codici dei particolari seguito dalla descrizione e la quantità desiderata;

2) Il codice alfa-numeric presente nella seconda colonna della tabella ;

I disegni delle parti di ricambio sono solo indicativi e non rappresentano il pezzo in oggetto.

I dati contenuti in questo catalogo sono indicativi e possono essere soggetti a modifiche senza impegno di preavviso.

ALLGEMEINE INFORMATIONEN

Dieser Ersatzteilkatalog dient zur genauen Angabe der Teile bei Ersatzteilbestellungen.

Bei Ersatzbestellung ist folgendes anzugeben:

1) Die Bestellnummer der Ersatzteile mit der entsprechenden Beschreibung genaue Menge;

2) Der alpha-numerischer Code auf der zweiten Reihe in dein Spalte;

Die Zeichnungen der Ersatzteile sind nur als Hinweise gedacht und stellen nicht das betroffene Teil dar.

Bei den im Katalog angeführten Daten handelt es sich um Anhaltsdaten, die jederzeit, ohne Vorankündigung, geändert werden können.

GENERAL INFORMATION

The present spare parts order exactly the right spare parts

When ordering specify:

1) the part's code number followed by its description and quantity needed;

2) The alpha-numeric code is in the second column in the chart;

Spare parts drawings are general and do not represent the part.

The contents of this catalogue are general and can undergo changes without prior notice.

INFORMACIONES GENERALES

El presente catálogo sirve para pedir con exactitud las partes de repuesto

En los pedidos se debe indicar:

1) el número de código de la parte y a continuación la descripción cantidad deseada;

2) El código alfanumérico presente en la signada columna de la tabla;

Los diseños de las partes de recambio son solo indicativos y no representan la pieza en cuestión.

Los datos contenidos en el presente catálogo son indicativos y pueden modificarse sin aviso previo.

INFORMATIONS GENERALES

Ce catalogue permet de commander correctement les pièces détachées

Les commandes doivent être passées en indiquant:

1) le numero de code des pièces détachés suivi de leur description quantité désirée;

2) le code alphanumérique dans la deuxième colonne du tableau;

Les plans des pièces détachées sont fournis seulement à titre indicatif et ne représentent pas la pièce concernée.

Les données de ce catalogue sont citées seulement à titre indicatif et peuvent être l'objet de modifications sans avis préalable.

ESEMPIO EXAMPLE EXEMPLE BEISPIEL

Rif.	Codici
MODULE:Particolari	
10505	540903
10510	540908
10515	15065/A
10520	540086
10525	540028



Note

Tutte le informazioni riportate si intendono aggiornate alla data di stampa. Il Produttore si riserva il diritto di apportare qualsiasi modifica richiesta dallo sviluppo evolutivo dei suddetti prodotti.

Per la sicurezza, la garanzia, l'affidabilità ed il valore della lavastoviglie usa solo ricambi originali.



Attenzione

Questo libretto è parte integrante della lavastoviglie e, in caso di passaggio di proprietà, deve essere consegnato al nuovo acquirente.



Remarque

Toutes les informations contenues dans ce manuel s'entendent mises à jour à la date d'impression. En raison du développement constant de ses produits, usine se réserve le droit d'apporter à tout instant les modifications qu'elle jugera utiles.

Pour la sécurité, la garantie, la fiabilité et la valeur de votre lave-vaisselles n'utilisez que des pièces de rechange d'origine.



Attention

Ce manuel doit être considéré comme partie intégrante de la la lave-vaisselles, en cas de transfert de propriété, doit toujours être remis au nouveau propriétaire.



Note

The information contained herein is valid at the time of going to print. The Company reserves the right to make any changes required by the future development of the above-mentioned products.

For your safety, as well as to preserve the warranty reliability and worth of your dishwashers, use original spare parts only.



Warning

This manual forms an integral part of the dishwashers and - if a transfer of title occurs - must always be handed over to the new owner.



Hinweis

Die Der Hersteller behält sich das Recht vor, jegliche, durch eine Weiterentwicklung der genannten Produkte bedingte Änderungen vornehmen zu können.

Verwenden Sie für Ihre Sicherheit, die Garantie, die Zuverlässigkeit und den Wert Ihrer machine originale Ersatzteile.



Achtung

Diese Betriebsanleitung ist Bestandteil des machine und muss bei seinem Weiterverkauf dem neuen Besitzer ausgehändigt werden.

1. Spare parts

General body parts.....	7
Lockup system	9
Electric control ELEKTRO.....	11
Electric control components.....	13
Solenoid valve group	15
Solenoid valve group	17
Break Tank	19
Booster pump.....	21
DVGW	23
Water softner group.....	25
Rinse aid dispenser group.....	27
Rinse aid dispenser group.....	29
Boiler group	31
3 ways connection	33
Wash pump	35
Dosing detergent group.....	37

Dosing detergent group.....	39
Drain pump group.....	41
Pressure switch group with air trap ...	43
Turret group with rotating arms	45

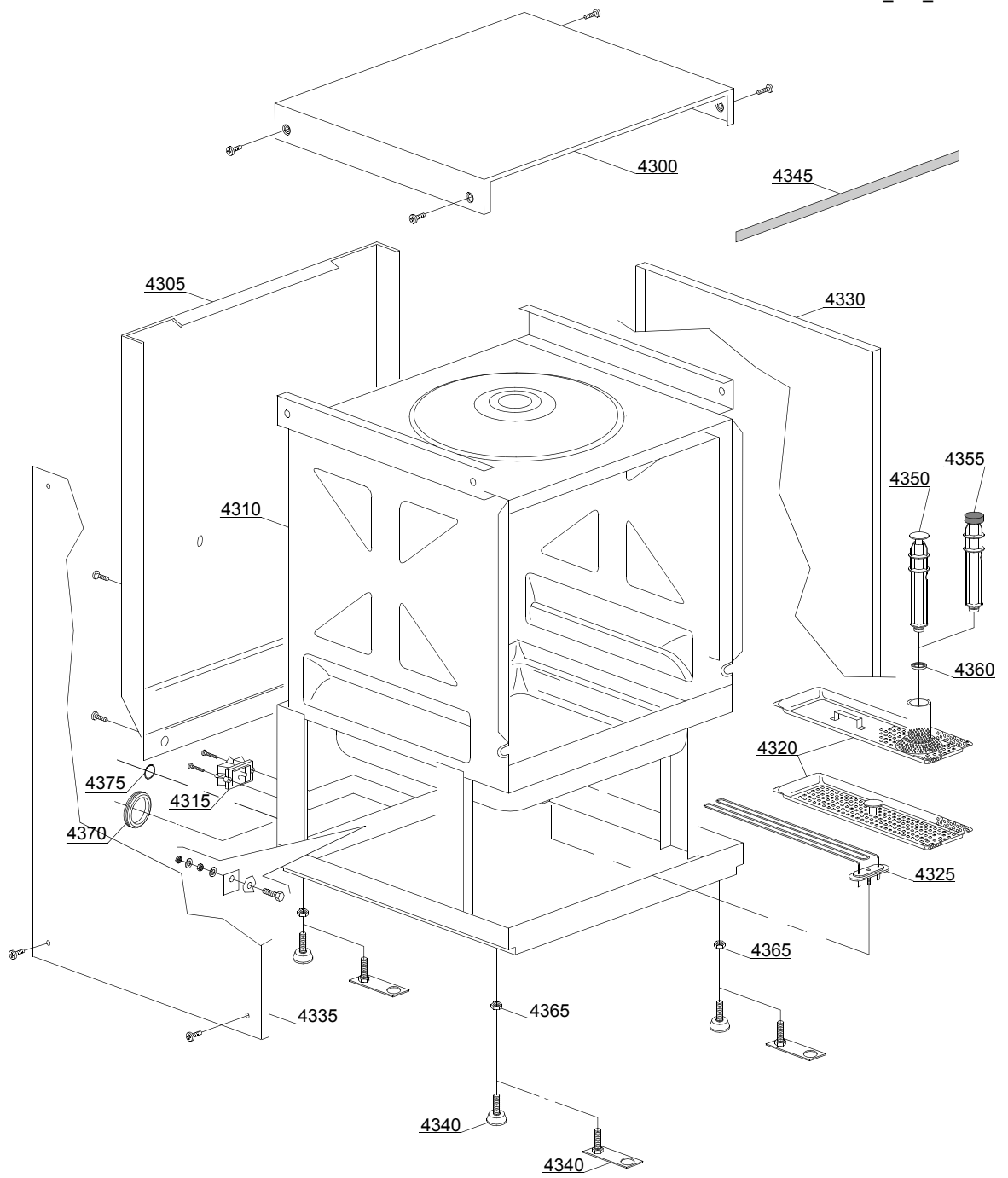
1.1 Voltage codes

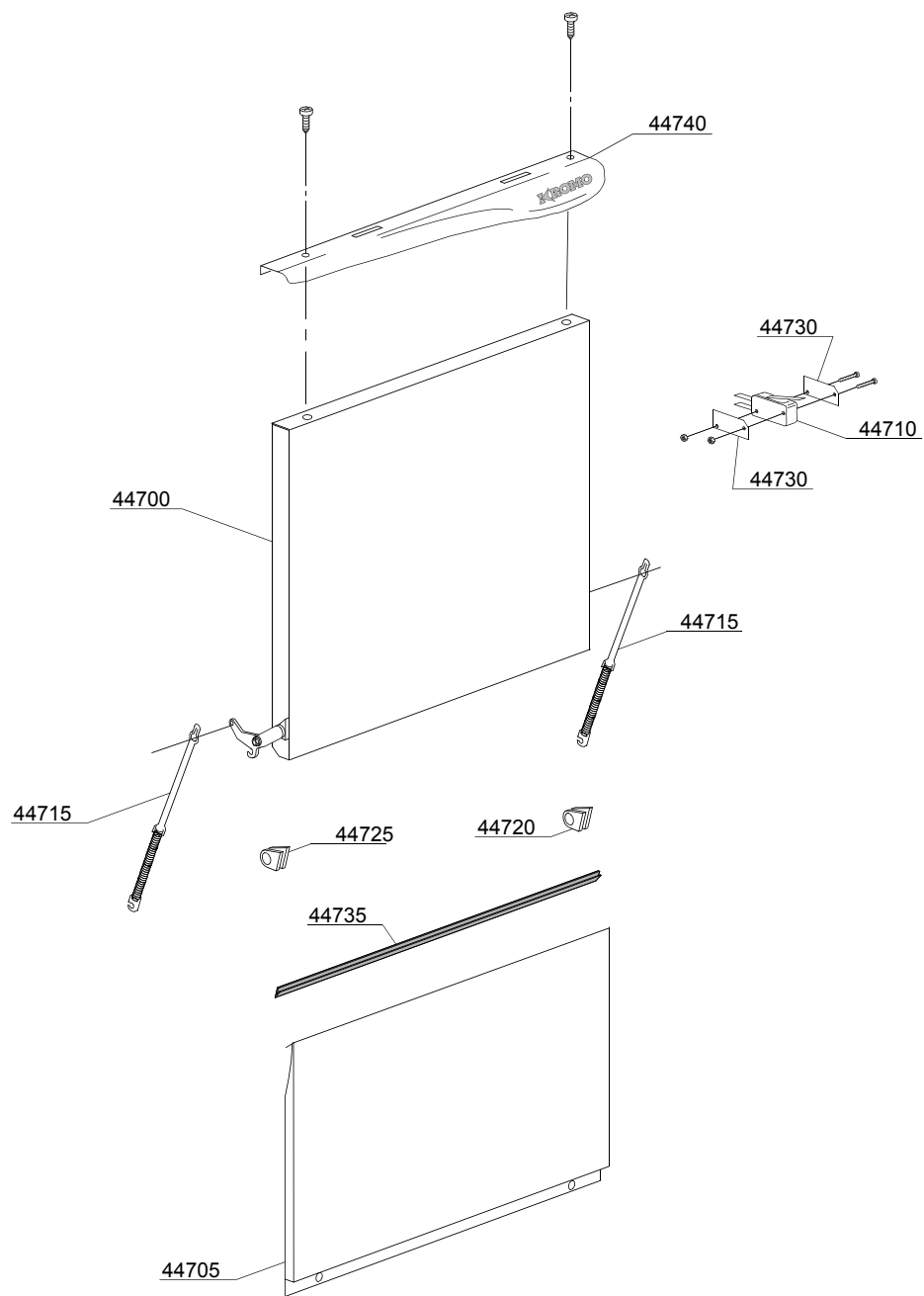
Voltage code	Voltage
A	3/N/PE~400/230V 50Hz
B	~250V 16A 50Hz
C	3/N/PE~380/220V 50Hz
D	3/PE~200V 50-60Hz
F	2/PE 220-240V 50Hz
G	3/N/PE~415/240V 50Hz
H	3/PE~230V 50Hz
I	3/PE~220V 60Hz
J	3/PE~380 50Hz
K	3/PE~400V 50Hz
L	3/PE~415V 50Hz
M	3/PE~440V 60Hz
N	3/PE~460V 60Hz
O	3/PE~480V 60Hz
P	1/N/PE~220-240V 50Hz
R	2/PE~220-230V 60Hz
S	3/N/PE~400/230V 50Hz
T	3/PE~230V 60Hz

1.2 Product codes

Product code	Full name
Model codes	
ec	ELECTRONICAL SWITCHES
ls	LOWER AND UPPER WASHING
Type codes	
LUX60EL	LUX60EL
Accessory codes	
bt	BREAK TANK
pap	BOOSTER PUMP
dvgw	DVGW
fs	COLD RINSE
d	WATER SOFTNER
dde	DETERGENT DISPENSER
ps	DRAIN PUMP

01_002_e

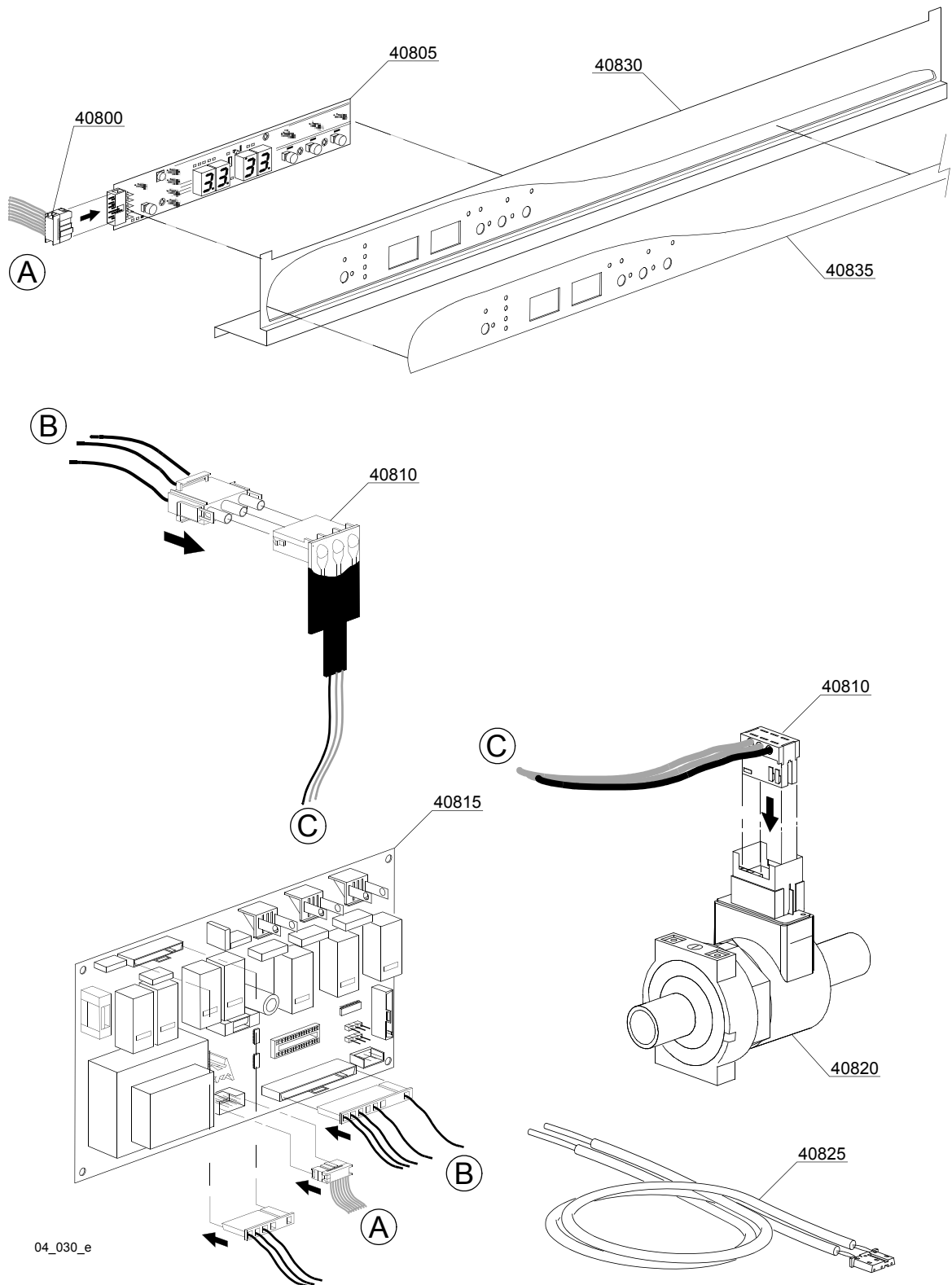




02_128_e

Spare parts

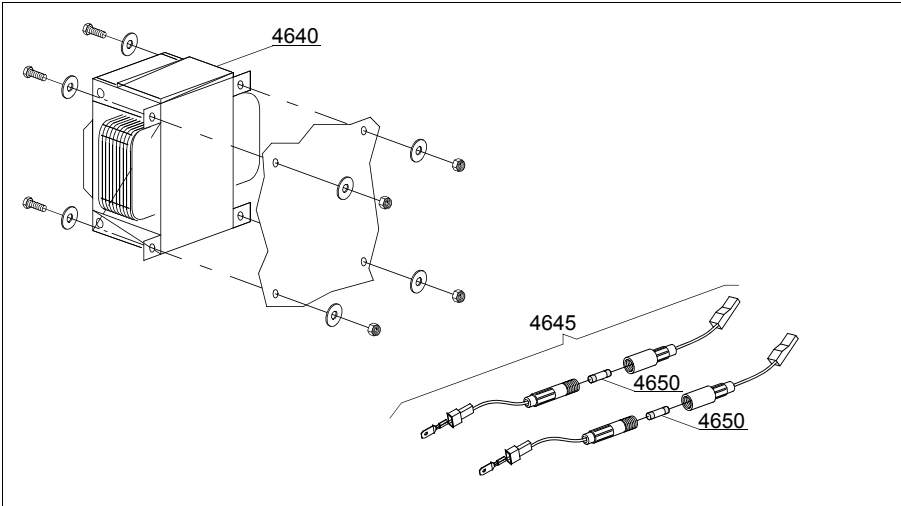
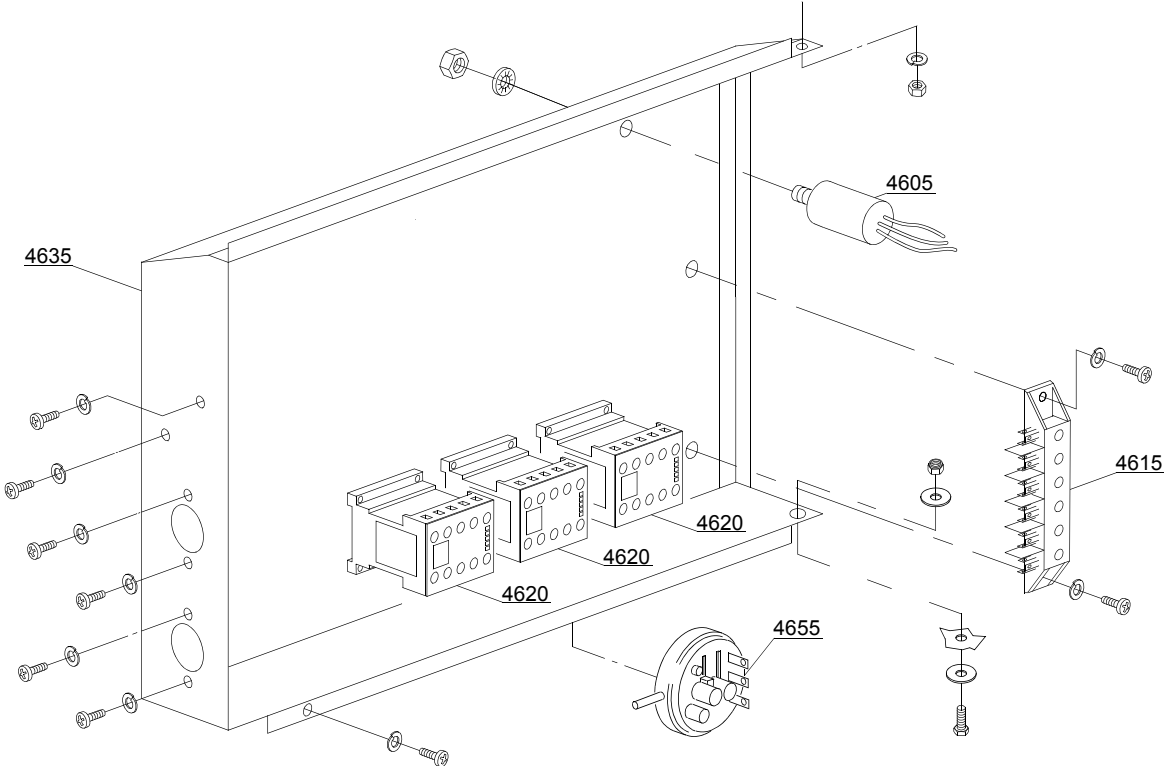
ID	P-code	Model	Type	Accessory	Voltage	Description
MODULE: Lockup system						
44700	560963		LUX60EL			Door with steel handle
44705	560920		LUX60EL			Lower door
44710	10704		LUX60EL			Door microswitch
44715	560003		LUX60EL			Door spring
44720	560006		LUX60EL			Right lock for door hinge
44725	560007		LUX60EL			Left lock for door hinge
44730	10770		LUX60EL			Insulation for door microswitch
44735	560013		LUX60EL			Profile for lower-door O-ring
44740	560965		LUX60EL			Stainless steel handle



Spare parts

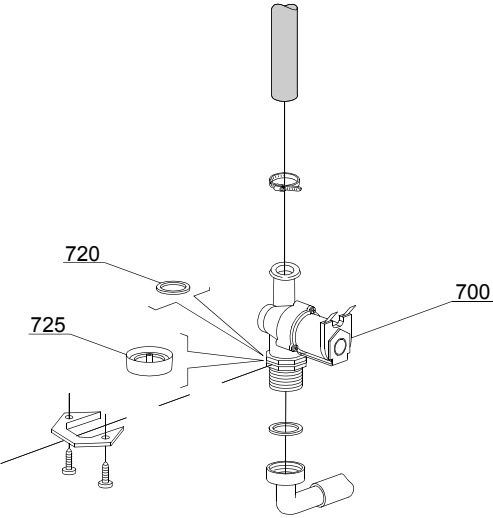
ID	P-code	Model	Type	Accessory	Voltage	Description
MODULE:Electric control ELEKTRO						
40800	50582		LUX60EL			"Elite"plug
40805	50581		LUX60EL			Touche sensitive "Elite"
40810	50584		LUX60EL			"Elite"water flow board
40815	50580		LUX60EL			"Elite"electronic timer+main board
40820	50583		LUX60EL			Water flow meter for "Elite"board
40825	50562		LUX60EL			Temperature probe set
40830	560967		LUX60EL			LUX 61- 60EL Control Panel
40835	560968		LUX60EL			Silkscreen processed grill LUX-61 / 60EL

04_034_e



Spare parts

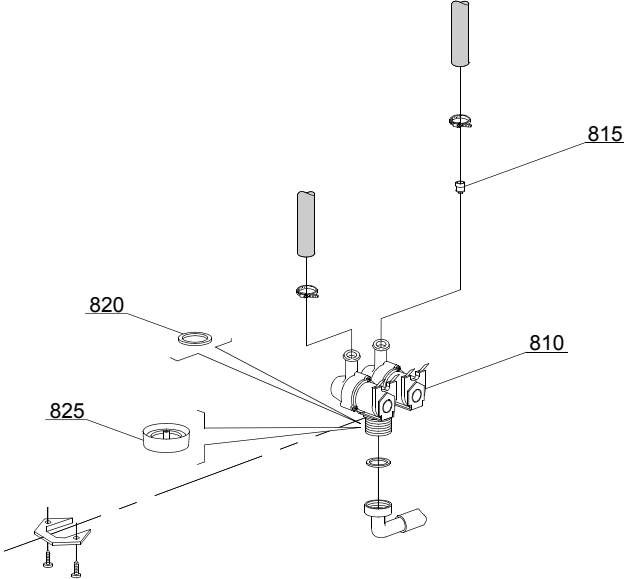
ID	P-code	Model	Type	Accessory	Voltage	Description
MODULE:Electric control components						
4605	15146		LUX60EL			Low noise filter
4605	15149		LUX60EL			Low noise filter
4605	15187		LUX60EL			Low noise filter
4615	500551		LUX60EL			6 poles terminal board
4620	15086		LUX60EL			Contactora 230V 50/60Hz 4C
4620	15086/B		LUX60EL			Contactora 240V 50Hz
4620	15086/T		LUX60EL			200Vac3N 50/60HZ contactora
4620	10300052		LUX60EL		I	36A/20A contactora - 230V 50/60HZ
4635	560921		LUX60EL			Electric components panel
4640	15381		LUX60EL			160Va transformer
4645	15147		LUX60EL			Fuse-holder
4650	15163		LUX60EL			Fuse
4655	80225		LUX60EL			34-100 Pressure switch



05_002_e

Spare parts

ID	P-code	Model	Type	Accessory	Voltage	Description
MODULE: Solenoid valve group						
700	10703		LUX60EL			Single solenoid valve
720	N.C.		LUX60EL			Pression reducing valve

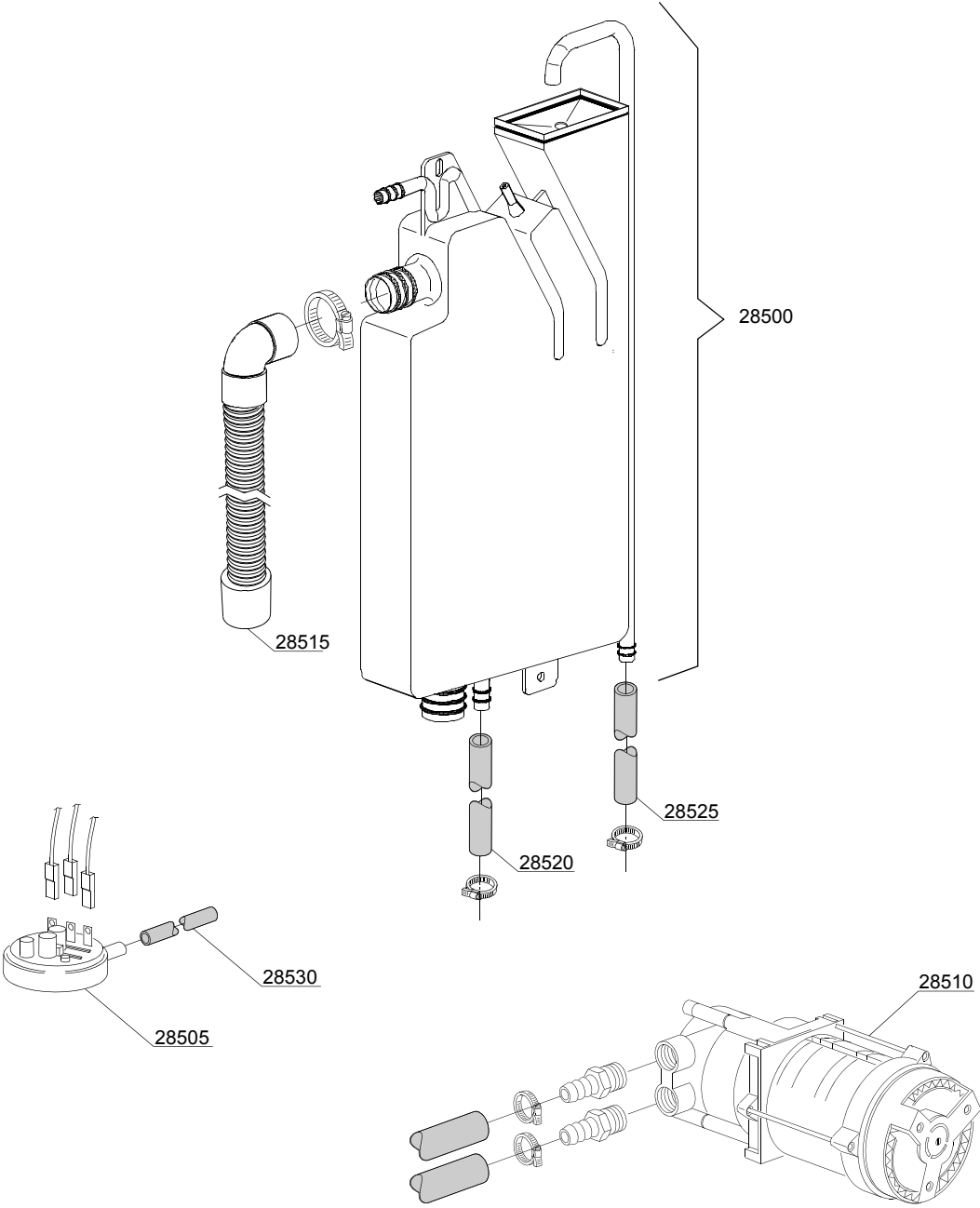


05_003_e

Spare parts

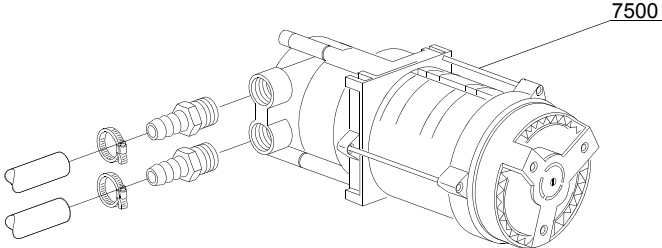
ID	P-code	Model	Type	Accessory	Voltage	Description
MODULE: Solenoid valve group						
810	15098		LUX60EL	cr,ws		Double solenoid valve - Ø10
815	15115		LUX60EL	cr,ws		Green pression solenoid valve
820	N.C.		LUX60EL	cr,ws		Pression reducing valve

06_004ae



Spare parts

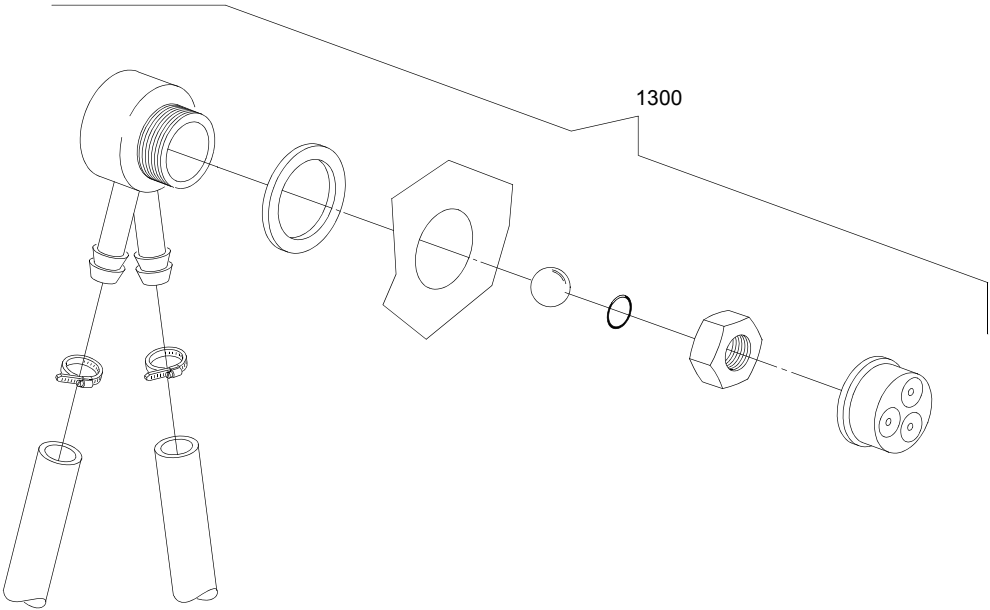
ID	P-code	Model	Type	Accessory	Voltage	Description
MODULE:Break Tank						
28500	15735		LUX60EL	bt		Break tank assembly
28505	10706/A		LUX60EL	bt		47-27 pressure switch
28510	15100/D		LUX60EL	bt		Booster pump 220-240/50
28515	15721		LUX60EL	bt		BT long pipe L=1070
28515	15722		LUX60EL	bt		BT middle pipe L=920
28515	15723		LUX60EL	bt		BT small pipe L=920
28520	2907350		LUX60EL	bt		12x20 EPDM rubber hose
28525	2907352		LUX60EL	bt		PVC WRAS rubber hose
28530	14508		LUX60EL	bt		4,5x9 EPDM rubber hose



07_003_e

Spare parts

ID	P-code	Model	Type	Accessory	Voltage	Description
MODULE:Booster pump						
7500	15100/D		LUX60EL	bp		Booster pump 220-240/50

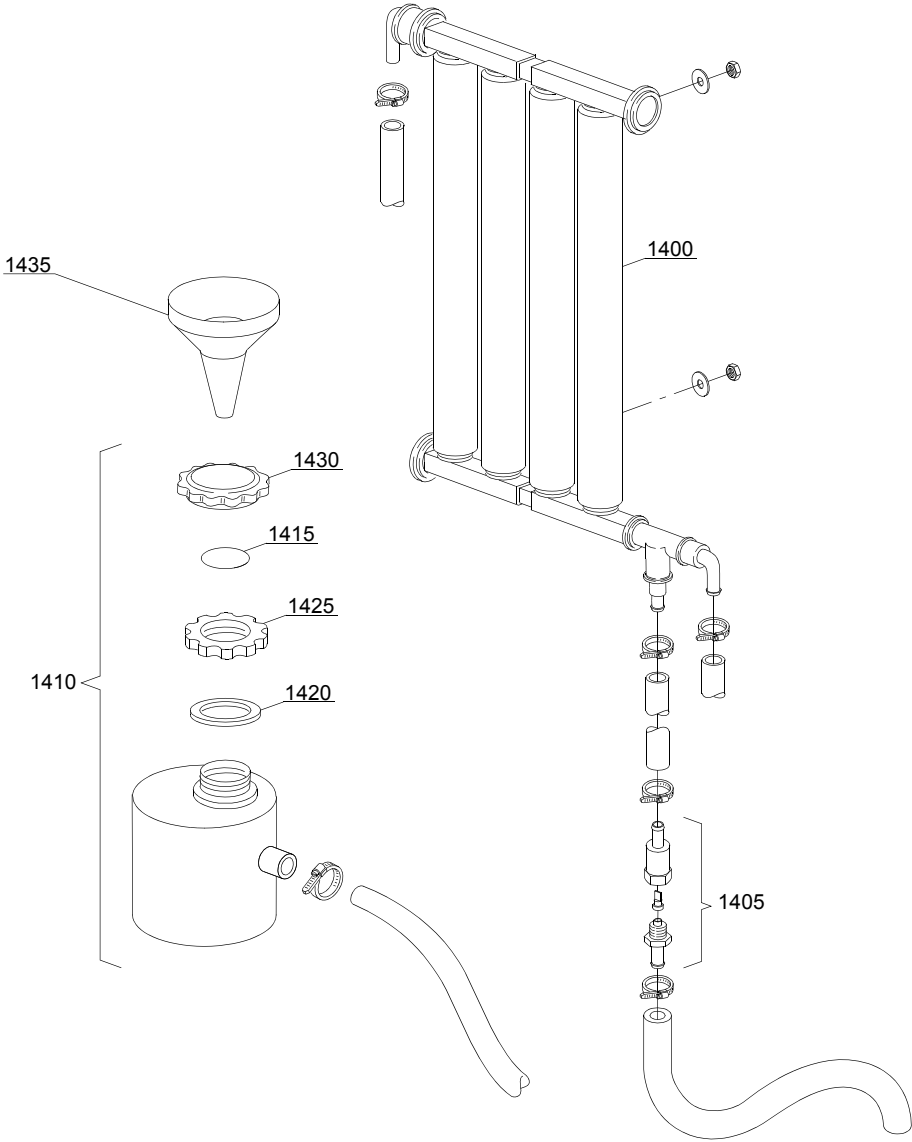


08_005_e

Spare parts

ID	P-code	Model	Type	Accessory	Voltage	Description
MODULE:DVGW						
1300	999900006		LUX60EL	dvgw		DVGW assembly

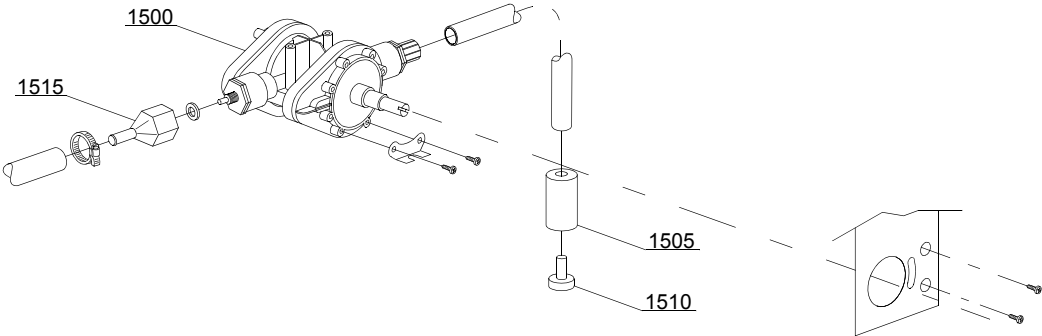
09_001_e



Spare parts

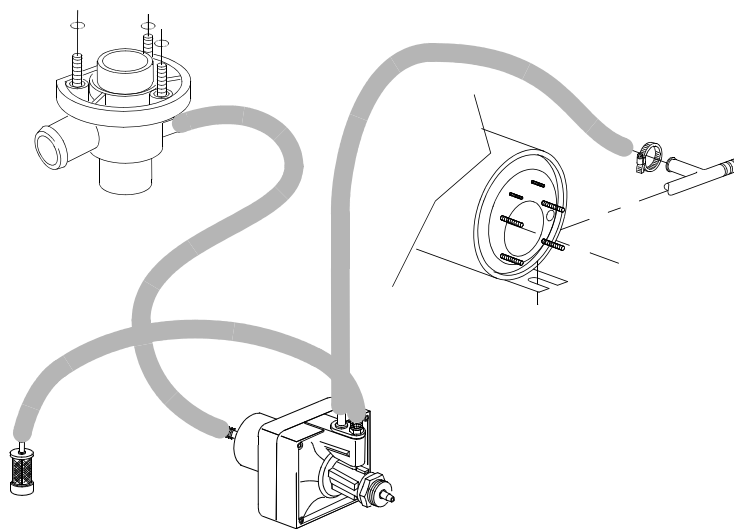
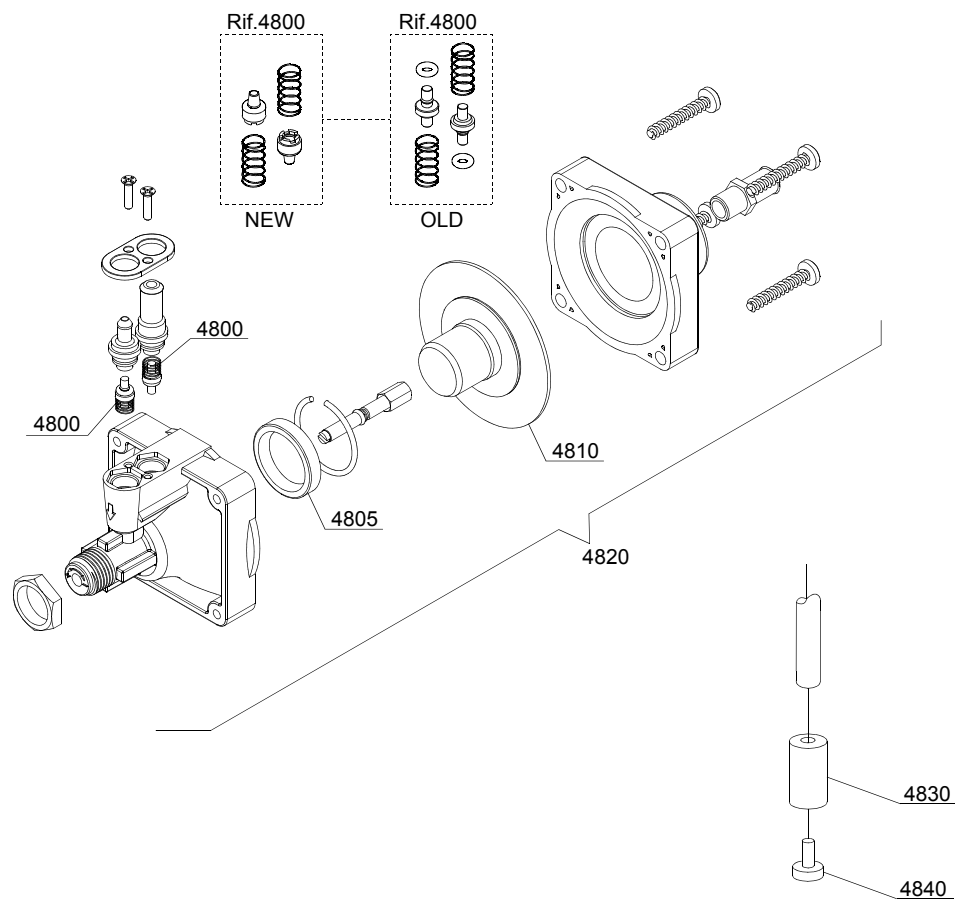
ID	P-code	Model	Type	Accessory	Voltage	Description
MODULE:Water softner group						
1400	16066		LUX60EL	ws		4 elements water softner
1405	16070		LUX60EL	ws		Nonreturn valve
1410	16065		LUX60EL	ws		Salt container
1415	16067/A		LUX60EL	ws		OR O-ring
1420	16067/B		LUX60EL	ws		O-ring
1425	16067/C		LUX60EL	ws		Ring nut
1430	16067/D		LUX60EL	ws		Plug
1435	16082		LUX60EL	ws		Funnel

10_002_e



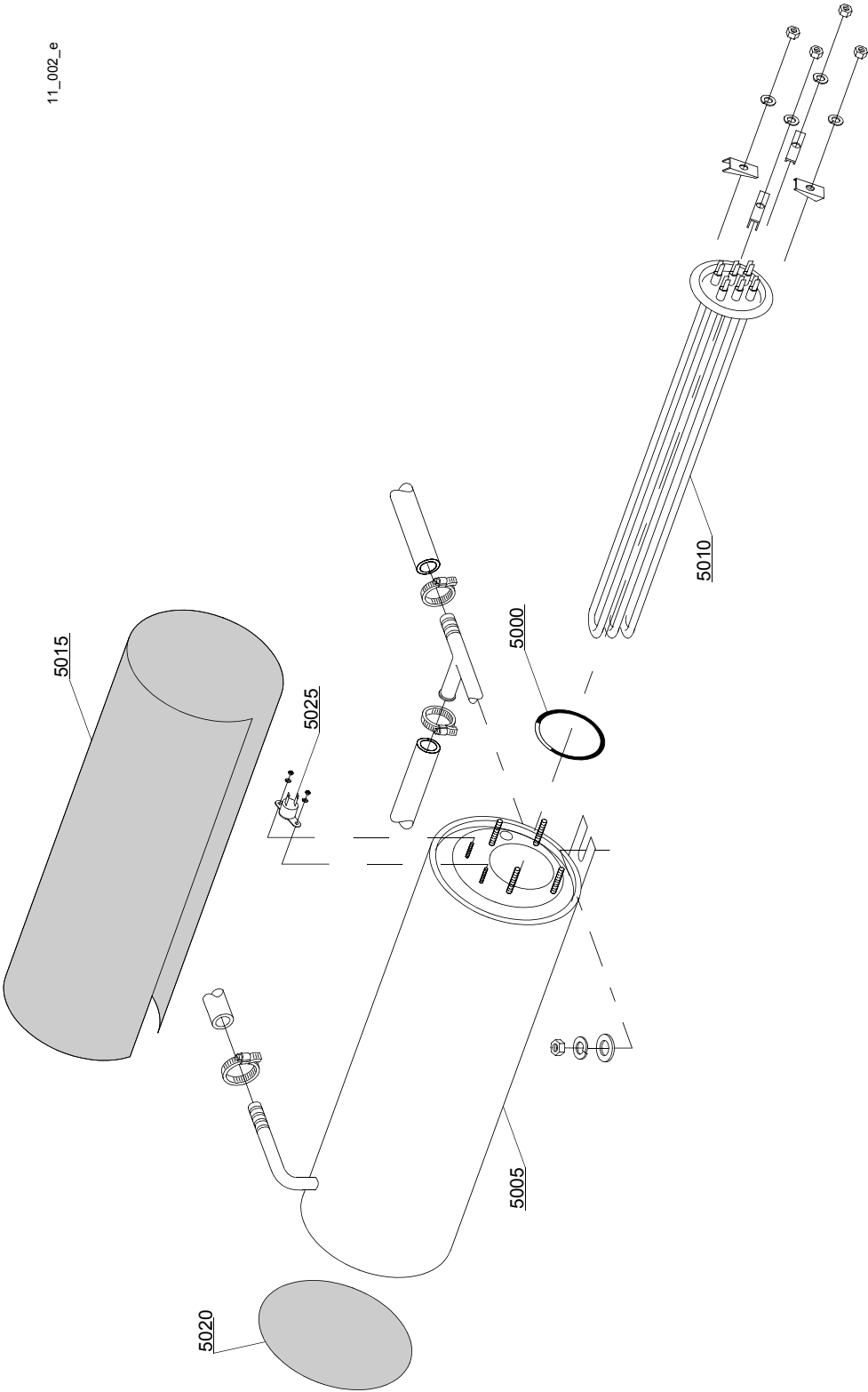
Spare parts

ID	P-code	Model	Type	Accessory	Voltage	Description
MODULE: Rinse aid dispenser group						
1500	10798		LUX60EL			Rinse aid dispenser
1505	12525		LUX60EL			Counter-weight
1510	15058		LUX60EL			Small filter
1515	10798/B		LUX60EL			Brass pipe fitting



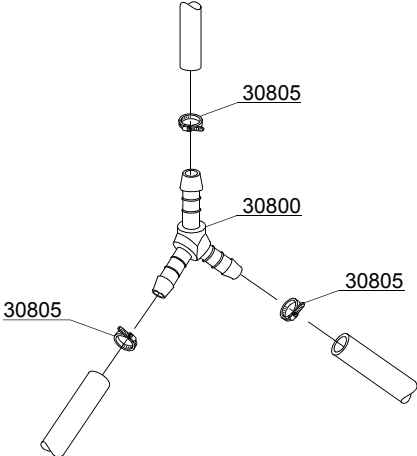
10_004_e

11_002_e



Spare parts

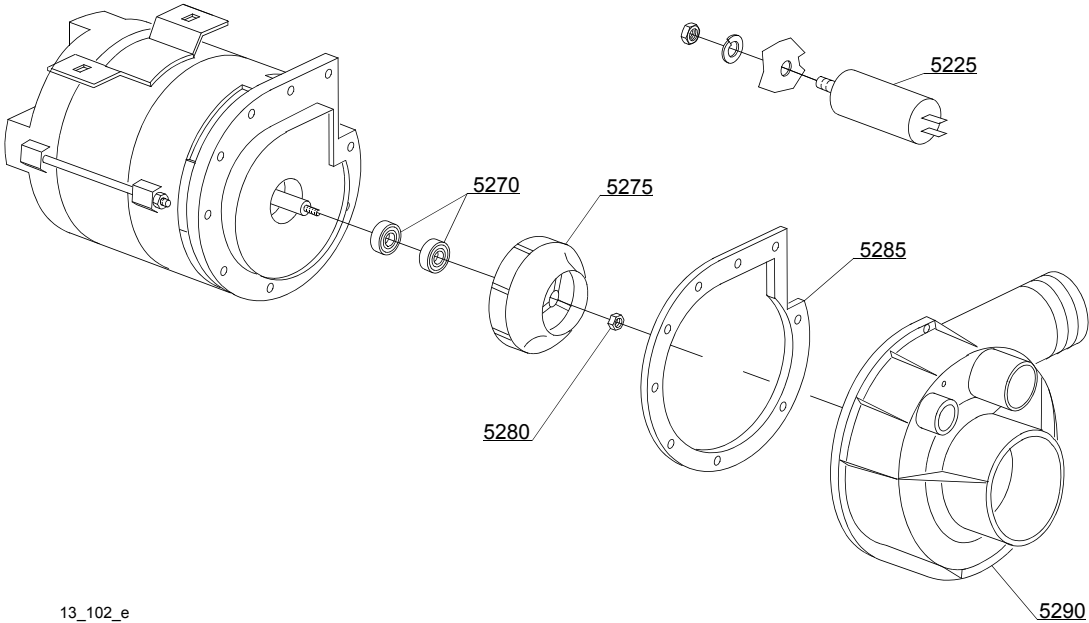
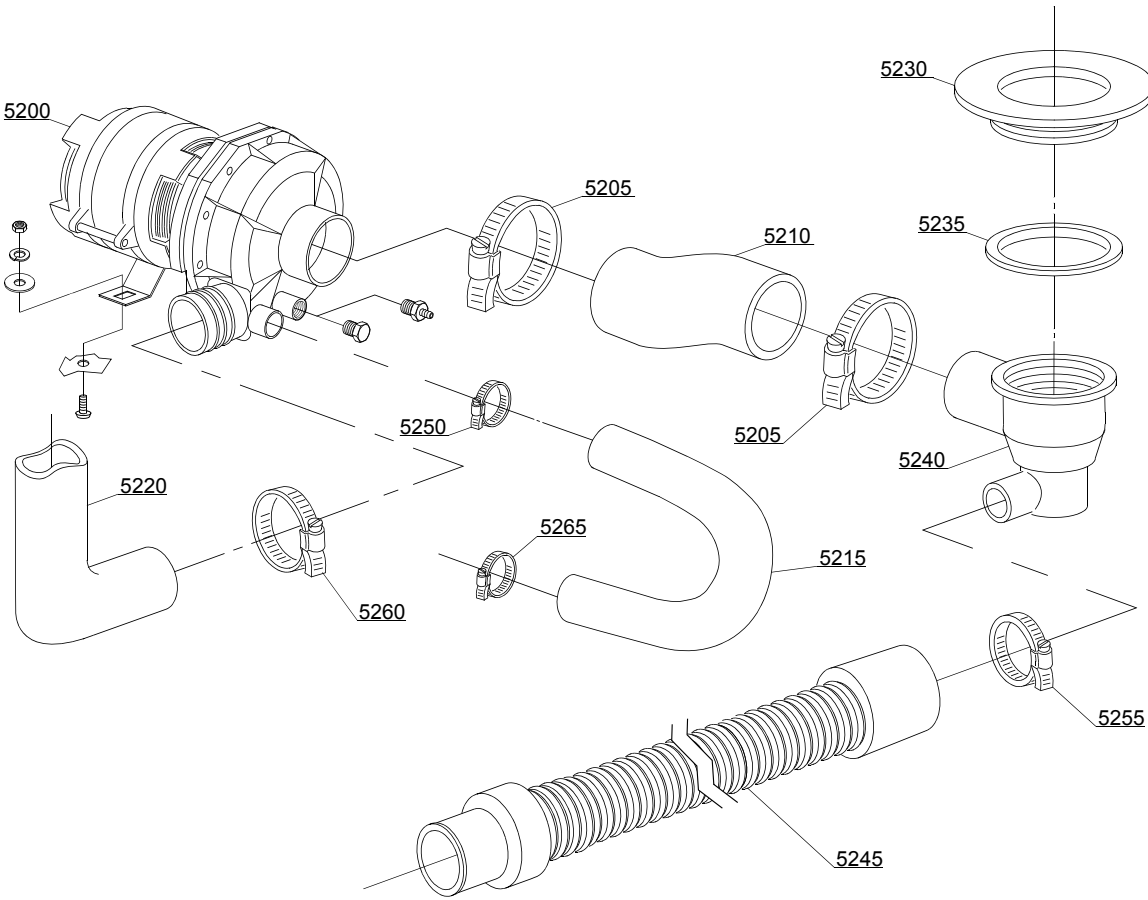
ID	P-code	Model	Type	Accessory	Voltage	Description
MODULE:Boiler group						
5000	13005		LUX60EL			OR 151 NBR O-ring
5005	150905		LUX60EL			Boiler
5005	150917		LUX60EL			AISI 314 boiler
5010	15089		LUX60EL			4,5/4,9KW 230/240/3 heating element
5010	15089/B		LUX60EL			4,5KW heating element - 254/440Vac
5010	15089/E		LUX60EL			6/6,53KW - 230/240/3 heating element
5010	15046		LUX60EL			3/3,27KW 230/240/3 heating element
5015	15066		LUX60EL			Insulation boiler
5020	15205		LUX60EL			Ø160 end piece
5025	15550		LUX60EL			Safety thermostat



12_003ae

Spare parts

ID	P-code	Model	Type	Accessory	Voltage	Description
MODULE:3 ways connection						
30800	540091		LUX60EL			Ø12 mm plastic 3 ways connection
30805	11807		LUX60EL			12/22 clamp

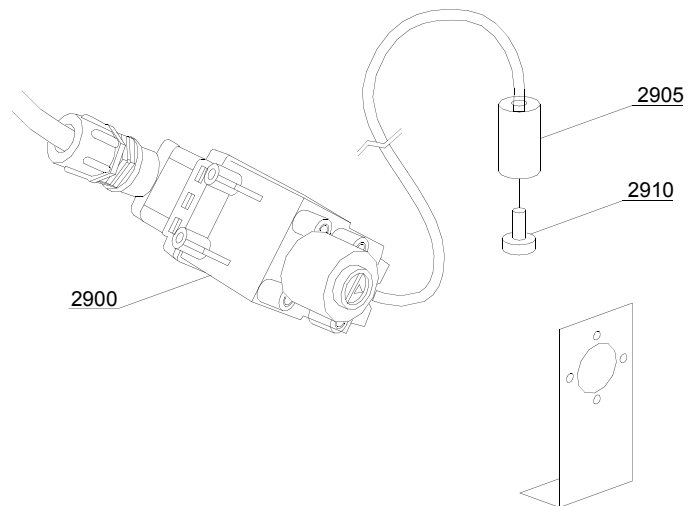
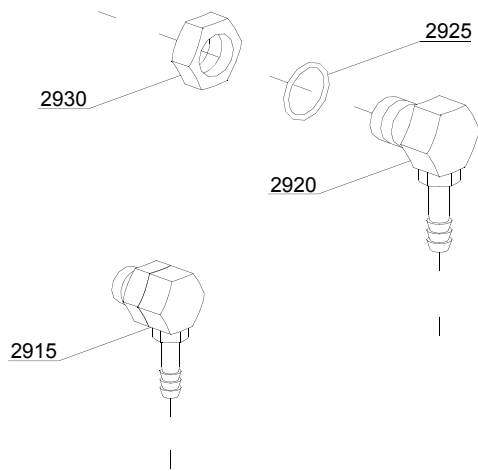


13_102_e

Spare parts

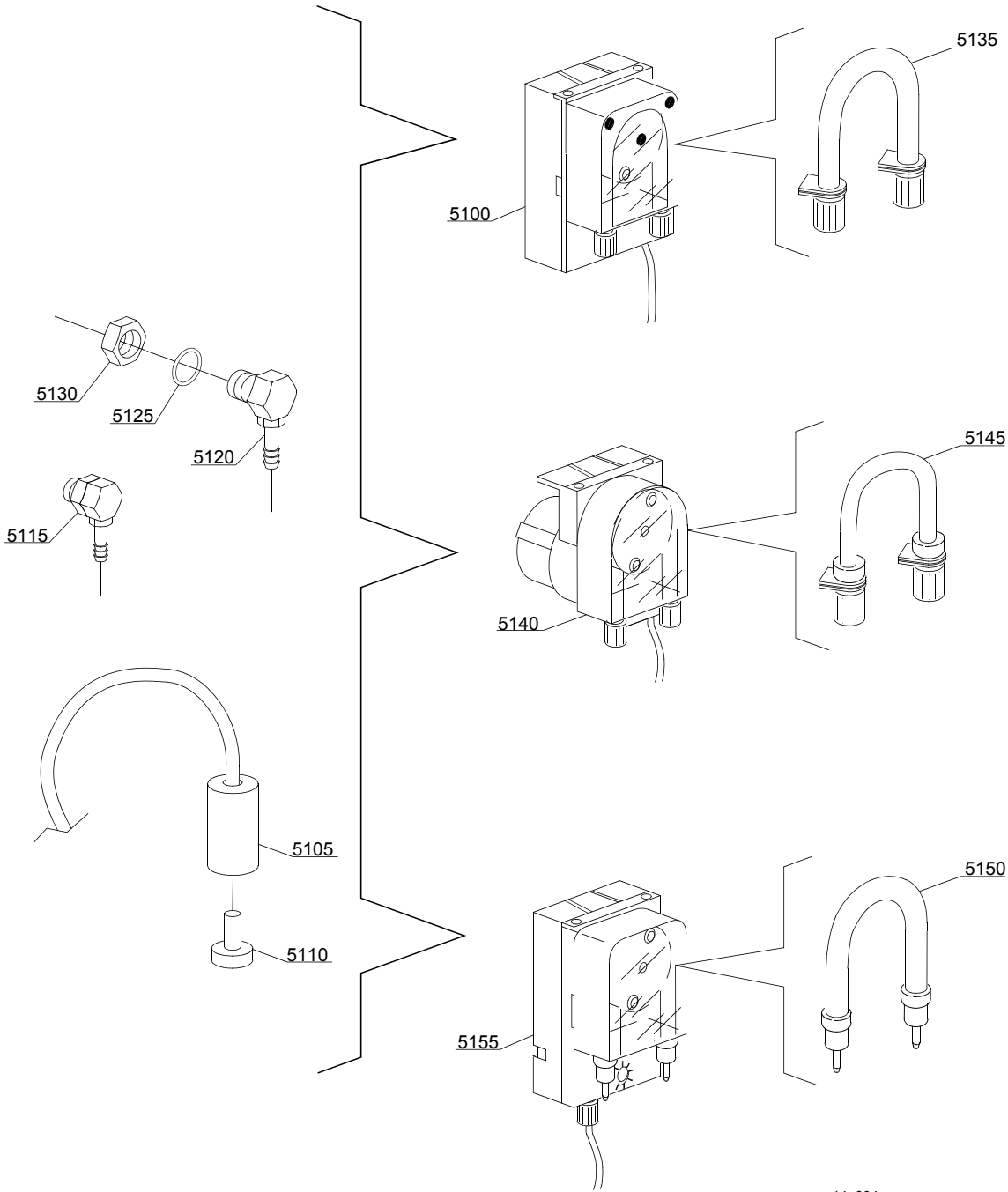
ID	P-code	Model	Type	Accessory	Voltage	Description
MODULE:Wash pump						
5200	15908/A		LUX60EL		A	0,75Hp wash pump
5200	15908/M		LUX60EL		I	0,75Hp - 60Hz wash pump
5200	15908/O		LUX60EL			0,75Hp - 200Vac 50Hz wash pump
5200	15908/D		LUX60EL			1Hp - 200Vac 50Hz wash pump
5200	15908/E		LUX60EL		A	0,75Hp wash pump - 440V
5205	11824		LUX60EL			50/70 clamp
5210	25032		LUX60EL			Suction pipe coupling
5215	560014		LUX60EL			Pump/lower wash turret delivery pipe
5220	560008		LUX60EL			Top delivery pipe
5225	15081		LUX60EL			12,5 uF condenser
5230	500601		LUX60EL			Ring nut
5235	80208		LUX60EL			95x75x3 O-ring
5240	500606		LUX60EL			Right side scrap tray
5245	10727		LUX60EL			Drain pipe
5250	11806		LUX60EL			25/40 clamp
5255	11807		LUX60EL			12/22 clamp
5260	11810		LUX60EL			40/60 clamp
5265	11809		LUX60EL			30/45 clamp
5270	15080/C		LUX60EL			Rotating seals
5270	15080		LUX60EL			Rotating seals (1HP)
5275	15079/B		LUX60EL			Pump rotor
5275	15912		LUX60EL			Pump rotor (1HP)
5280	11724		LUX60EL			M6 stainless steel nut
5285	15079/D		LUX60EL			O-ring
5290	15031/E		LUX60EL			Scroll

14_002_e



Spare parts

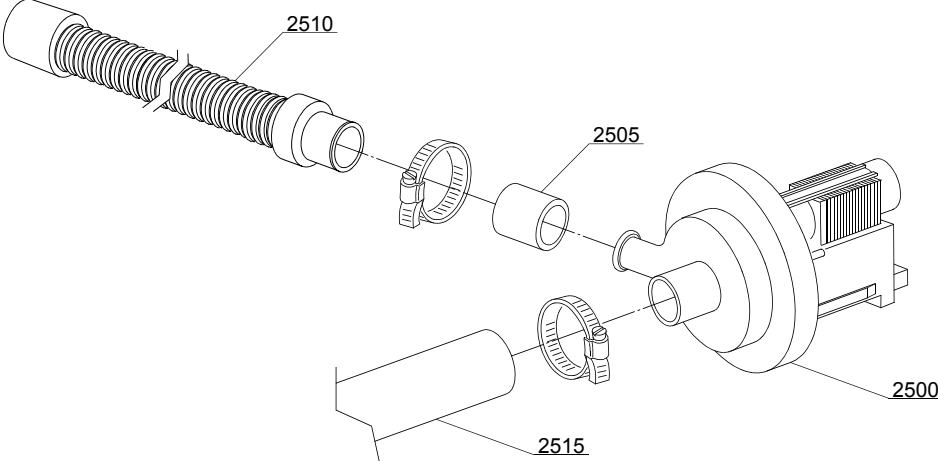
ID	P-code	Model	Type	Accessory	Voltage	Description
MODULE:Dosing detergent group						
2900	15108/L		LUX60EL	dd		Lang detergent pump
2905	12525		LUX60EL	dd		Counter-weight
2910	15058		LUX60EL	dd		Small filter
2915	15123		LUX60EL	dd		Compleat plastic injector
2920	15148		LUX60EL	dd		Steel injector
2925	15159		LUX60EL	dd		OR O-ring
2930	10200205		LUX60EL	dd		M12x1 stainless steel nut



14_004_e

Spare parts

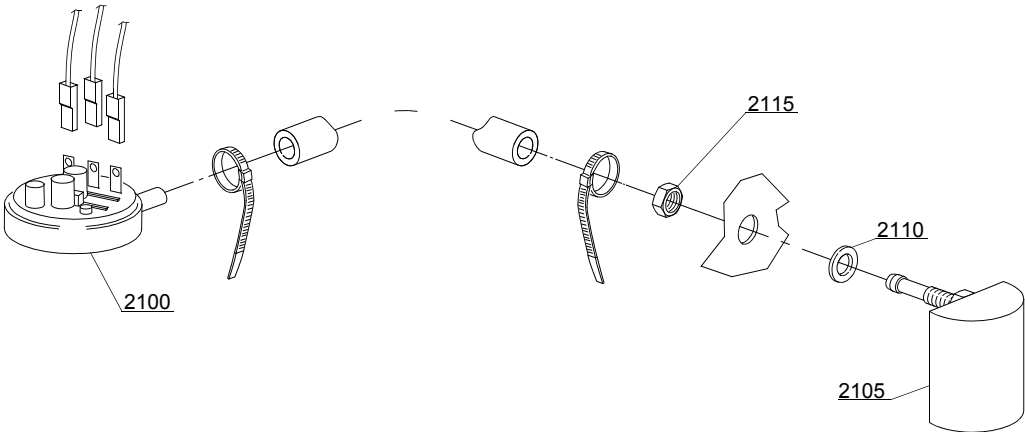
ID	P-code	Model	Type	Accessory	Voltage	Description
MODULE:Dosing detergent group						
5100	15985		LUX60EL	dd		Seko detergent pump
5105	12525		LUX60EL	dd		Counter-weight
5110	15058		LUX60EL	dd		Small filter
5115	15123		LUX60EL	dd		Compleat plastic injector
5120	15148		LUX60EL	dd		Steel injector
5125	15159		LUX60EL	dd		OR O-ring
5130	10200205		LUX60EL	dd		M12x1 stainless steel nut
5135	15185		LUX60EL	dd		Seko thermoplastic pipe
5140	15985		LUX60EL	dd		Germac detergent pump
5145	15108/E		LUX60EL	dd		Germac thermoplastic pipe
5150	15985/A		LUX60EL	dd		PLAS CONT thermoplastic pipe
5155	15985		LUX60EL	dd		PLAS CONT detergent pump



15_004ce

Spare parts

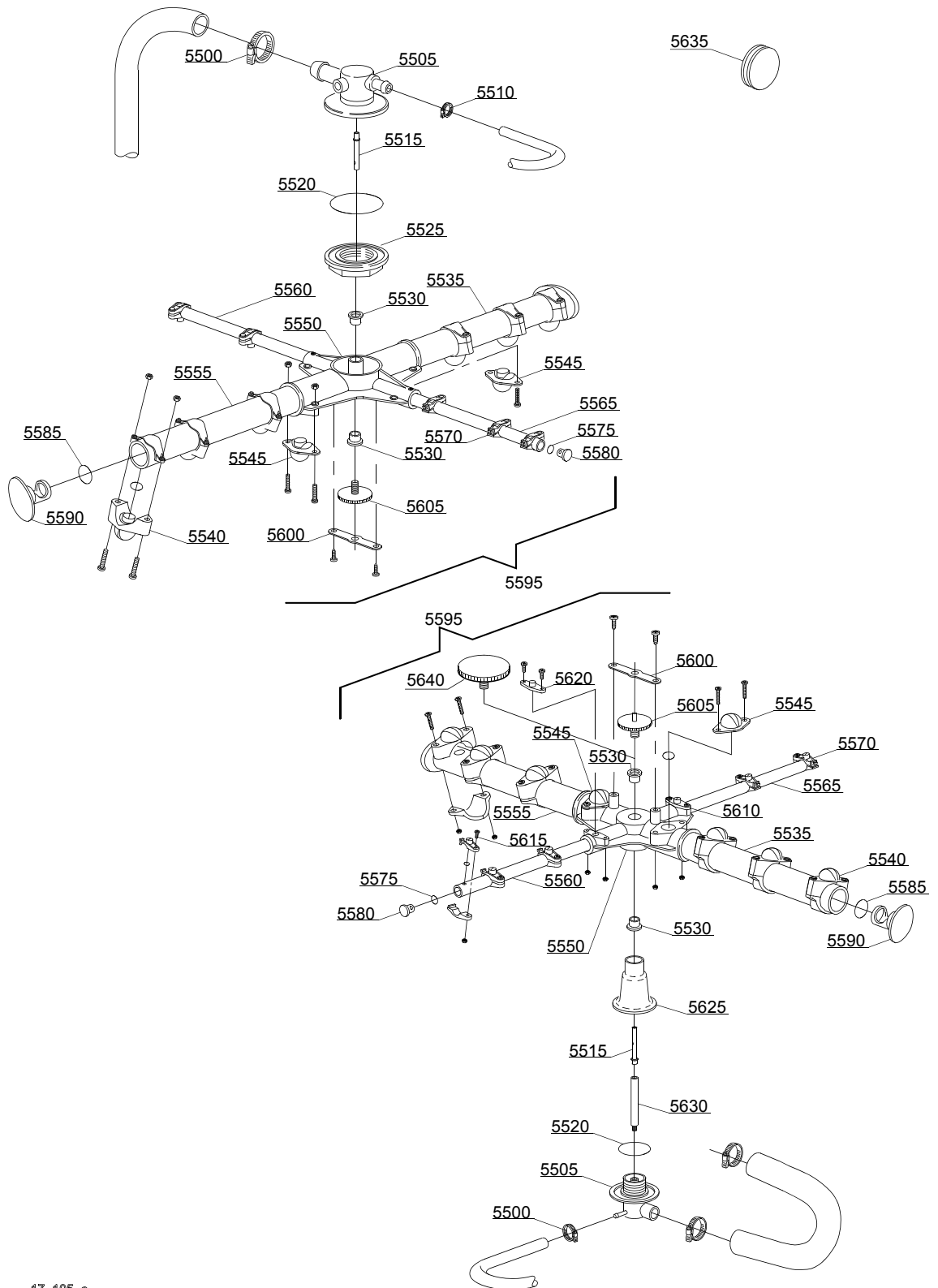
ID	P-code	Model	Type	Accessory	Voltage	Description
MODULE:Drain pump group						
2500	15101		LUX60EL	dp		Drain pump 220/240V 50Hz
2505	15101/D		LUX60EL	dp		Pipe fitting
2510	10727		LUX60EL	dp		Drain pipe
2515	18044		LUX60EL	dp		Ø28 top wash pipe



16_001_e

Spare parts

ID	P-code	Model	Type	Accessory	Voltage	Description
MODULE:Pressure switch group with air trap						
2100	10706/A		LUX60EL			47-27 pressure switch
2105	135911/B		LUX60EL			Air trap assembly
2110	13301		LUX60EL			O-ring
2115	11702		LUX60EL			M8 stainless steel nut



17_105_e

Spare parts

ID	P-code	Model	Type	Accessory	Voltage	Description
MODULE:Turret group with rotating arms						
5500	11806		LUX60EL			25/40 clamp
5505	500612		LUX60EL			Top/lower turret
5510	11807		LUX60EL			12/22 clamp
5515	15300		LUX60EL			Ø10x51 lower/top rinse axle
5520	13015		LUX60EL			6225 OR 160 NBR O-ring
5525	500623		LUX60EL			Ring nut for fixing turret
5530	13319		LUX60EL			Sliding washer
5535	15571		LUX60EL			Ø28 right wash pipe
5540	10261		LUX60EL			Ø28 raised nozzle
5545	10268		LUX60EL			Ø28 opened plane nozzle
5550	10259		LUX60EL			4 ways big rotor
5555	15572		LUX60EL			Ø28 left wash pipe
5560	15575		LUX60EL			Right rinse pipe
5565	15576		LUX60EL			Left rinse pipe
5570	10262		LUX60EL			Ø10 complet rinse nozzle
5575	13016		LUX60EL			2018 OR 103 NBR O-ring
5580	12532		LUX60EL			Ø10 plastic plug
5585	13018		LUX60EL			OR 2087 NBR O-ring
5590	10257		LUX60EL			Ø28 plastic plug
5595	15958		LUX60EL			Ø28 wash/rinse group
5600	10260		LUX60EL			Blocking ring nut rotor plaque
5605	11101/I		LUX60EL			Stainless steel group fixing screw
5610	10267		LUX60EL			Ø10 closed plane nozzle
5615	11004		LUX60EL			4x10 TCB Ø8 spax toothed screw
5620	10263		LUX60EL			Ø10 opened plane nozzle
5625	550225		LUX60EL			Lower pipe coupling
5630	550226		LUX60EL			Lower rinse axle
5635	13316/A		LUX60EL			DVGW hole O-ring