

DISHWASHER

ELECTROMECHANICAL SWITCHES
LOWER AND UPPER WASHING

TYPE: 31U

Accessories

BREAK TANK

BOOSTER PUMP

DVGW

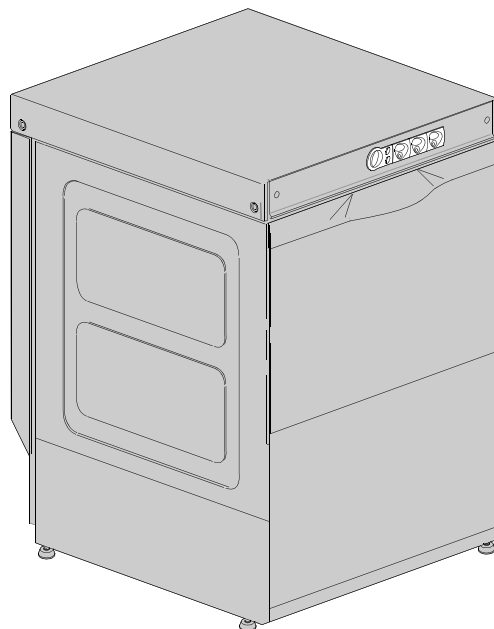
COLD RINSE

WATER SOFTNER

DETERGENT DISPENSER

DRAIN PUMP

Spare parts manual



INFORMAZIONI GENERALI

Questo catalogo serve per richiedere con esattezza le parti di ricambio

Nelle ordinazioni indicare:

1) il numero dei codici dei particolari seguito dalla descrizione e la quantità desiderata;

2) Il codice alfa-numerico presente nella seconda colonna della tabella ;

I disegni delle parti di ricambio sono solo indicativi e non rappresentano il pezzo in oggetto.

I dati contenuti in questo catalogo sono indicativi e possono essere soggetti a modifiche senza impegno di preavviso.

ALLGEMEINE INFORMATIONEN

Dieser Ersatzteilkatalog dient zur genauen Angabe der Teile bei Ersatzteilbestellungen.

Bei Ersatzbestellung ist folgendes anzugeben:

1) Die Bestellnummer der Ersatzteile mit der entsprechenden Beschreibung genaue Menge;

2) Der alpha-numerischer Code auf der zweiten Reihe in dein Sculd;

Die Zeichnungen der Ersatzteile sind nur als Hinweise gedacht und stellen nicht das betroffene Teil dar.

Bei den im Katalog angeführten Daten handelt es sich um Anhaltsdaten, die jederzeit, ohne Vorankündigung, geändert werden können.

GENERAL INFORMATION

The present spare parts order exactly the right spare parts

When ordering specify:

1) the part's code number followed by its description and quantity needed;

2) The alpha-numeric code is in the second column in the chart;

Spare parts drawings are general and do not represent the part.

The contents of this catalogue are general and can undergo changes without prior notice.

INFORMACIONES GENERALES

El presente catálogo sirve para pedir con exactitud las partes de repuesto

En los pedidos se debe indicar:

1) el número de código de la parte y a continuación la descripción cantidad deseada;

2) El código alfanumerico presente en la segnada columna de la tabla;

Los diseños de las partes de recambio son solo indicativos y no representan la pieza en cuestión.

Los datos contenidos en el presente catálogo son indicativos y pueden modificarse sin aviso previo.

INFORMATIONS GENERALES

Ce catalogue permet de commander correctement les pièces détachées

Les commandes doivent être passées en indiquant:

1) le numero de code des pièces dééectachées suivi de leur description quantité désirée;

2) le code alphanumérique dans la deuxième colonne du tableau;

Les plans des pièces détachées sont fournis seulement à titre indicatif et ne représentent pas la pièce concernée.

Les données de ce catalogue sont citées seulement à titre indicatif et peuvent être l'objet de modifications sans avis préalable.

ESEMPIO
EXAMPLE
EXEMPLE
BEISPIEL

Rif.	Codici
MODULE:Particolari	
10505	540903
10510	540908
10515	15065/A
10520	540086
10525	540028

Note

Tutte le informazioni riportate si intendono aggiornate alla data di stampa. Il Produttore si riserva il diritto di apportare qualsiasi modifica richiesta dallo sviluppo evolutivo dei suddetti prodotti.

Per la sicurezza ,la garanzia, l'affidabilità ed il valore della lavastoviglie usa solo ricambi originali. **Per alcuni codici, sono richieste quantità minime d'ordine.**

Attenzione

Questo libretto è parte integrante della lavastoviglie e, in caso di passaggio di proprietà, deve essere consegnato al nuovo acquirente.

Remarque

Toutes les informations contenues dans ce manuel s'entendent mises à jour à la date d'impression. En raison du développement constant de ses produits, usine se réserve le droit d'apporter à tout instant les modifications qu'elle jugera utiles.

Pour la sécurité, la garantie, la fiabilité et la valeur de votre lavevaisselles n'utilisez que des pièces de rechange d'origine. **Pour quelque référence on demande un minimum de pièces par commande**

Attention

Ce manuel doit être considéré comme partie intégrante de la la lavevaisselles, en cas de transfert de propriété, doit toujours être remis au nouveau propriétaire.

Note

The information contained herein is valid at the time of going to print. The Company reserves the right to make any changes required by the future development of the above-mentioned products.

For your safety, as well as to preserve the warranty reliability and worth of your dishwashers , use original spare parts only. **For some codes a minimum quantity for order is required.**

Warning

This manual forms an integral part of the dishwashers and - if a transfer of title occurs - must always be handed over to the new owner.

Hinweis

Die Der Hersteller behält sich das Recht vor, jegliche, durch eine Weiterentwicklung der genannten Produkte bedingte Änderungen vornehmen zu können.

Verwenden Sie für Ihre Sicherheit, die Garantie, die Zuverlässigkeit und den Wert Ihrer machine originale Ersatzteile. **Für bestimmte Code nummer werden mindesten bestellungen verlangt.**

Achtung

Diese Betriebsanleitung ist Bestandteile des machine und muss bei seinem Weiterverkauf dem neuen Besitzer ausgehändigt werden.

1. Spare parts

General body parts.....	7
Lockup system	9
Control panel	11
Control electric components.....	13
Solenoid valve group	15
Solenoid valve group	17
Break Tank	19
Booster pump.....	21
DVGW	23
Water softner group.....	25
Shining product dosing device group .	27
Boiler group	29
3 ways derivation.....	31
Wash pump	33
Dosing device group	35
Drain pump group.....	37

Pressure switch group with air trap ...39

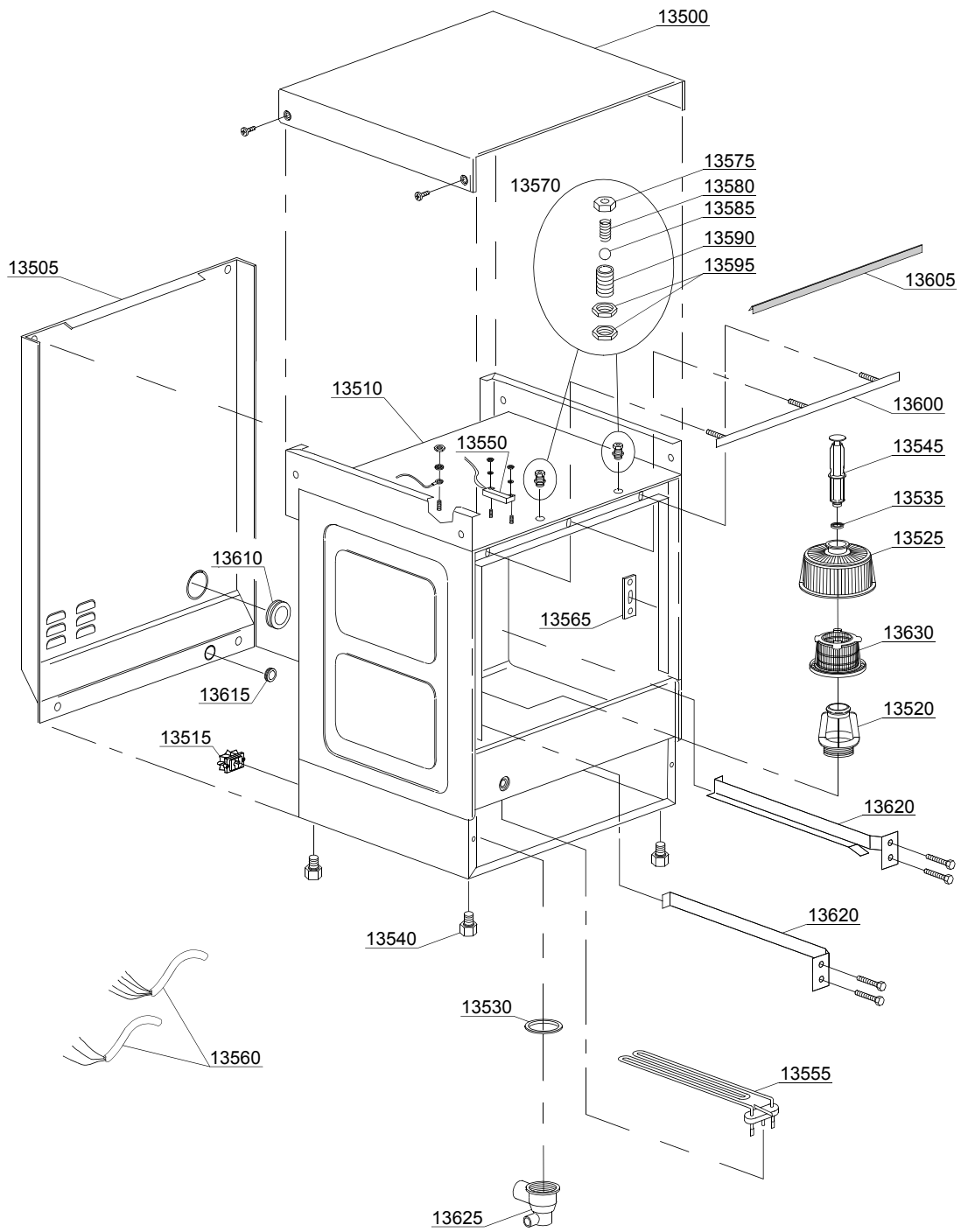
Turret group with rotating arms41

1.1 Voltage codes

Voltage code	Voltage
A	3/N/PE~400/230V 50Hz
B	~250V 16A 50Hz
C	3/N/PE~380/220V 50Hz
D	3/PE~200V 50-60Hz
F	2/PE 220-240V 50Hz
G	3/N/PE~415/240V 50Hz
H	3/PE~230V 50Hz
I	3/PE~220V 60Hz
J	3/PE~380 50Hz
K	3/PE~400V 50Hz
L	3/PE~415V 50Hz
M	3/PE~440V 60Hz
N	3/PE~460V 60Hz
O	3/PE~480V 60Hz
P	1/N/PE~220-240V 50Hz
R	2/PE~220-230V 60Hz
S	3/N/PE~400/230V 50Hz
T	3/PE~230V 60Hz

1.2 Product codes

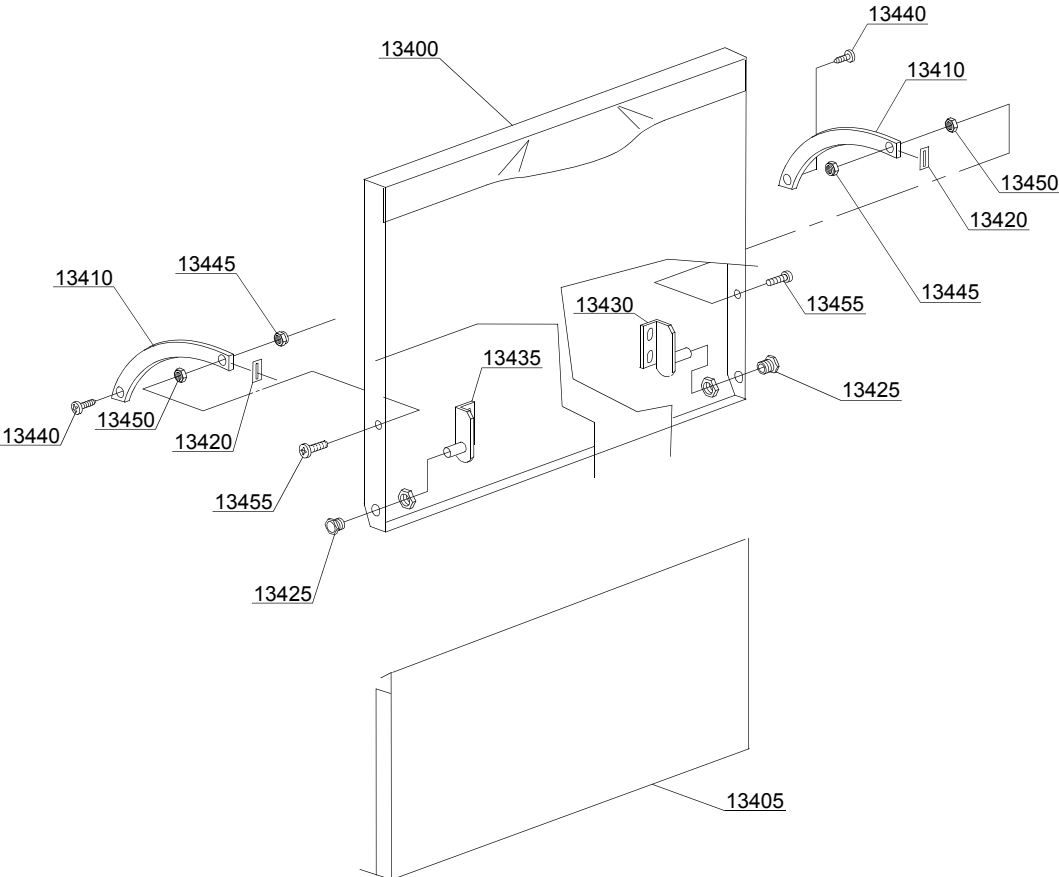
Product code	Full name
Model codes	
em	ELECTROMECHANICAL SWITCHES
ls	LOWER AND UPPER WASHING
Type codes	
31U	31U
Accessory codes	
bt	BREAK TANK
pap	BOOSTER PUMP
dvgw	DVGW
fs	COLD RINSE
d	WATER SOFTNER
dde	DETERGENT DISPENSER
ps	DRAIN PUMP



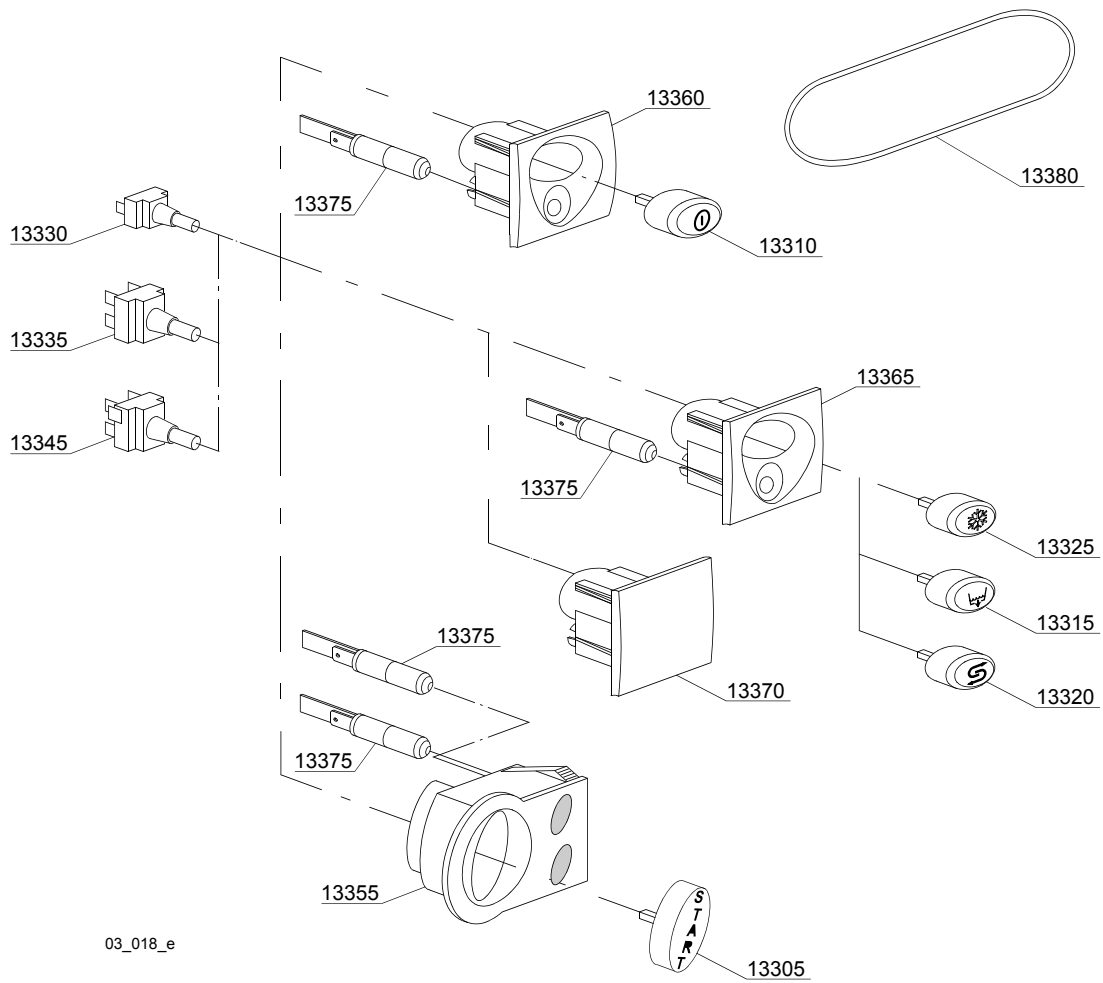
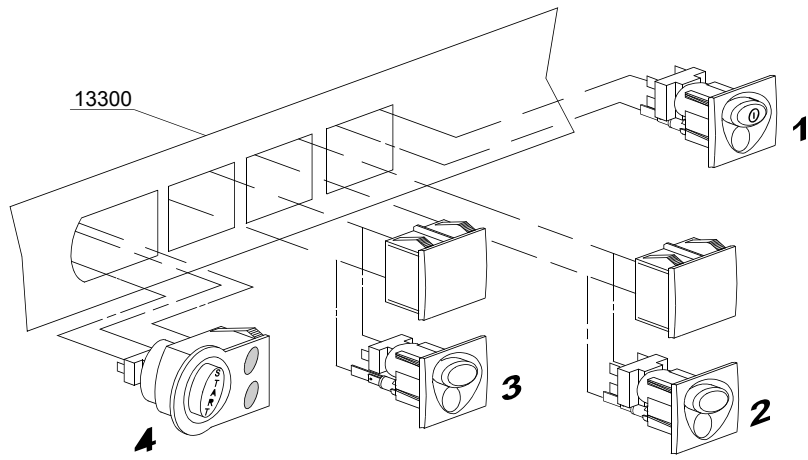
01_015_e

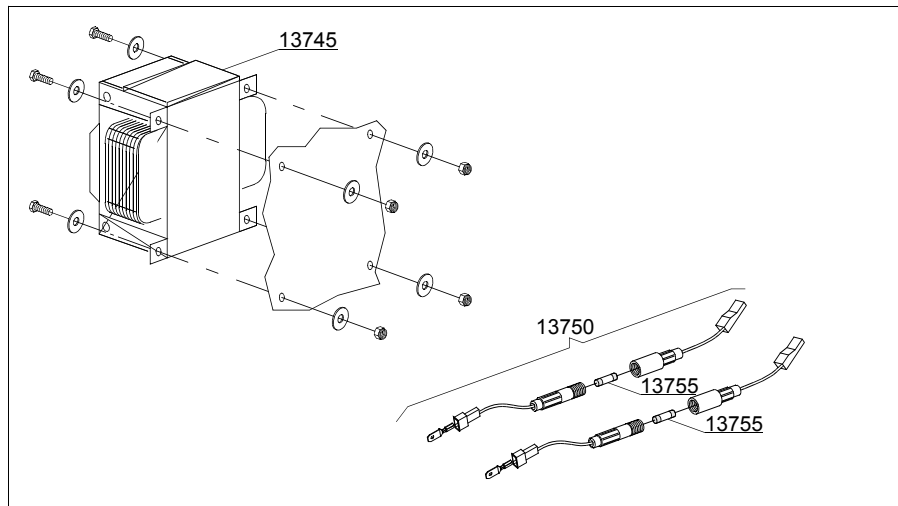
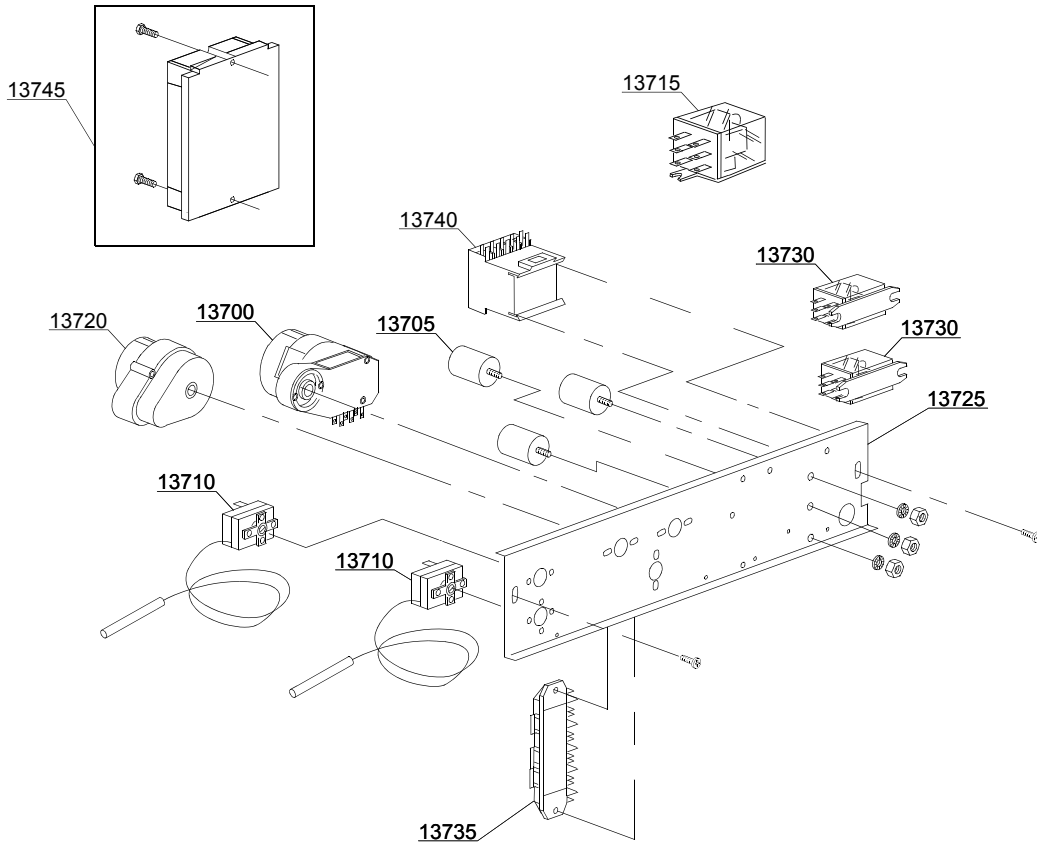
Spare parts

ID	P-code	Model	Type	Accessory	Voltage	Description
MODULE:General body parts						
13500	450905		31U			Cover
13505	450903		31U			Back panel
13510	450900		31U			Body
13510	450913		31U	ws		Body
13515	15065/A		31U			Cable-fastener with screw
13520	500607		31U			Ferrule with filter
13525	500616		31U			Suction filter
13530	80208		31U			95x75x3 gasket
13535	13021		31U			DEM 40 gasket
13540	10850		31U			Foot
13545	500618		31U			Overflow pipe
13550	10778		31U			Reed magnet
13555	150047		31U			2,7KW heating element
13560	15118		31U			5x2,5x2500 cable
13560	15104/B		31U			3x4x2500 cable
13560	10713		31U			3x2,5x2500 cable
13565	150401		31U			Door rod slide
13570	10775		31U			Door jack assembly
13575	10802		31U			Door jack locknut
13580	10777		31U			Spring for door hook
13585	10776		31U			Sphere
13590	10803		31U			Door jack body
13595	10801		31U			Door jack nut
13600	450907		31U			Door gasket angular
13605	135205		31U			Door gasket
13610	13317		31U			Ø40mm fairlead
13615	13323		31U			Ø13mm fairlead
13620	500902		31U			Right/left internal slide
13625	500606		31U			Right side scrap tray
13630	500600		31U			Interior filter with rack



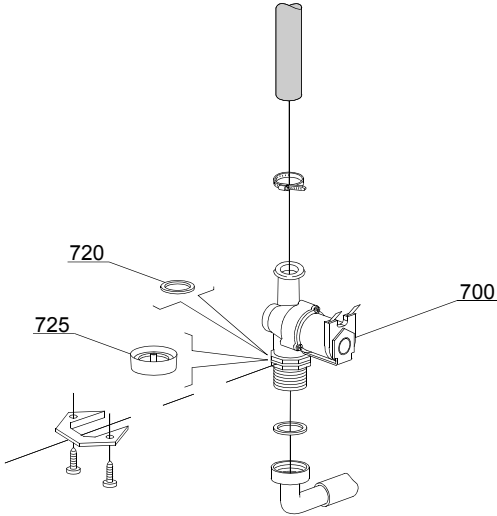
02_112_e





Spare parts

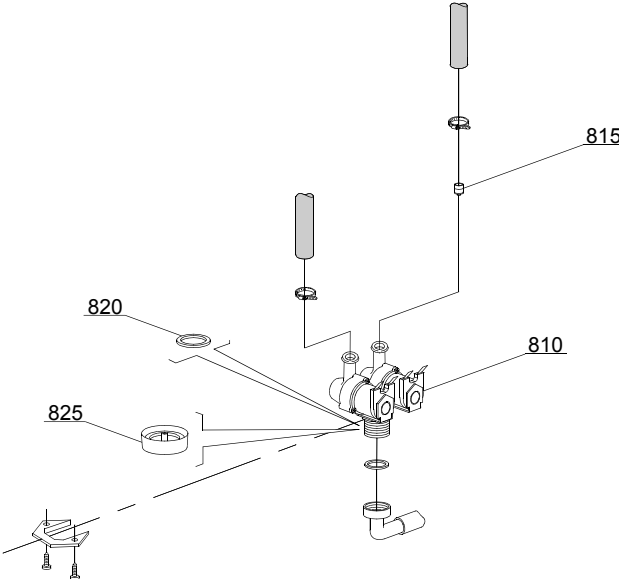
ID	P-code	Model	Type	Accessory	Voltage	Description
MODULE:Control electric components						
13700	10708/L		31U		A	"120"" timer"
13705	15149		31U			Low noise filter
13710	10707/1		31U			0-90°C thermostat
13715	16047		31U	dp		16A tripolar relay
13720	16064/A		31U	ws		Regeneration timer
13725	450904		31U			Electric components panel
13730	15620		31U			Bipolar relay in deviation
13735	500550		31U			3 poles terminal board
13735	500551		31U			6 poles terminal board
13740	15086		31U			Remote control switch 230V 50/60Hz 4C
13740	15086/B		31U			Remote control switch
13745	50553		31U			3 Times electronic timer 120"220 Vac 60Hz



05_002_e

Spare parts

ID	P-code	Model	Type	Accessory	Voltage	Description
MODULE:Solenoid valve group						
700	10703		31U			Single solenoid valve
720	N.C.		31U			Pression reducing valve

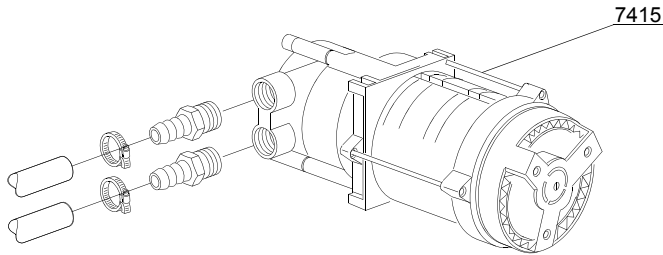
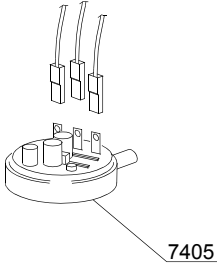
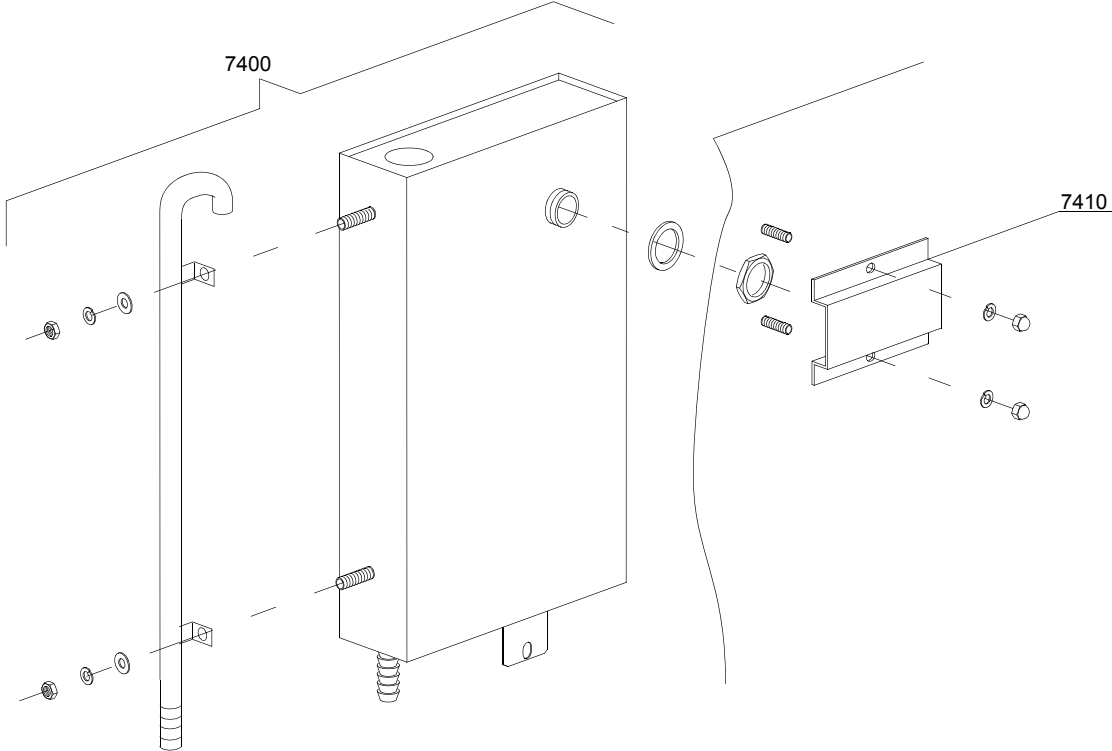


05_003_e

Spare parts

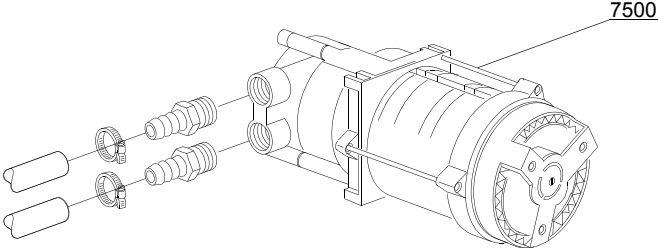
ID	P-code	Model	Type	Accessory	Voltage	Description
MODULE: Solenoid valve group						
810	15098		31U	cr,ws		Double solenoid valve - Ø10
815	15115		31U	cr,ws		Green pression solenoid valve
820	N.C.		31U	cr,ws		Pression reducing valve

06_002_e



Spare parts

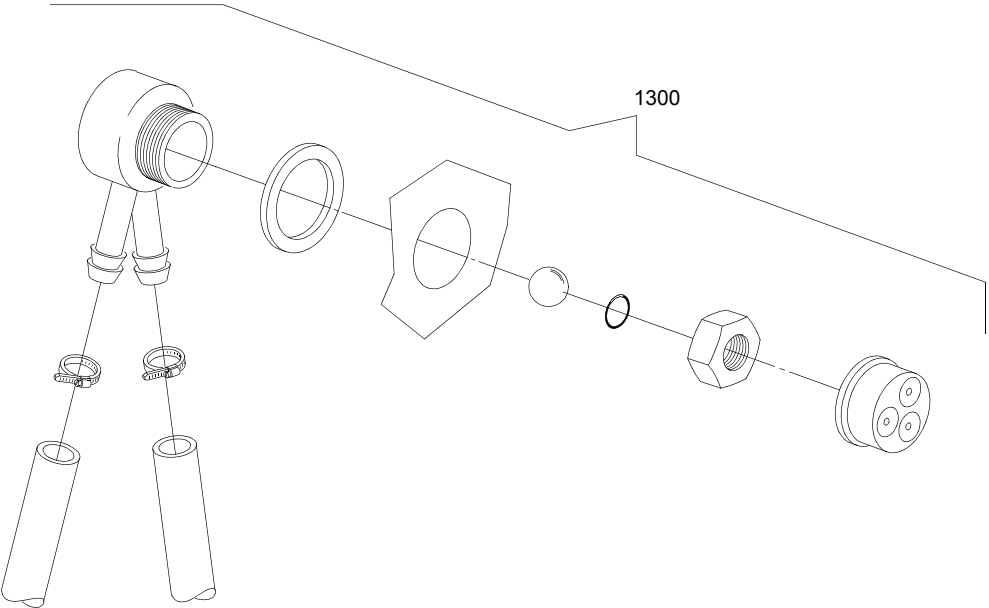
ID	P-code	Model	Type	Accessory	Voltage	Description
MODULE:Break Tank						
7400	15735		31U	bt		Break tank assembly
7405	10706/A		31U	bt		47-27 pressure switch
7410	15738		31U	bt		Hole protection
7415	15100/D		31U	bt		Booster pump



07_003_e

Spare parts

ID	P-code	Model	Type	Accessory	Voltage	Description
MODULE:Booster pump						
7500	15100/D		31U	bp		Booster pump

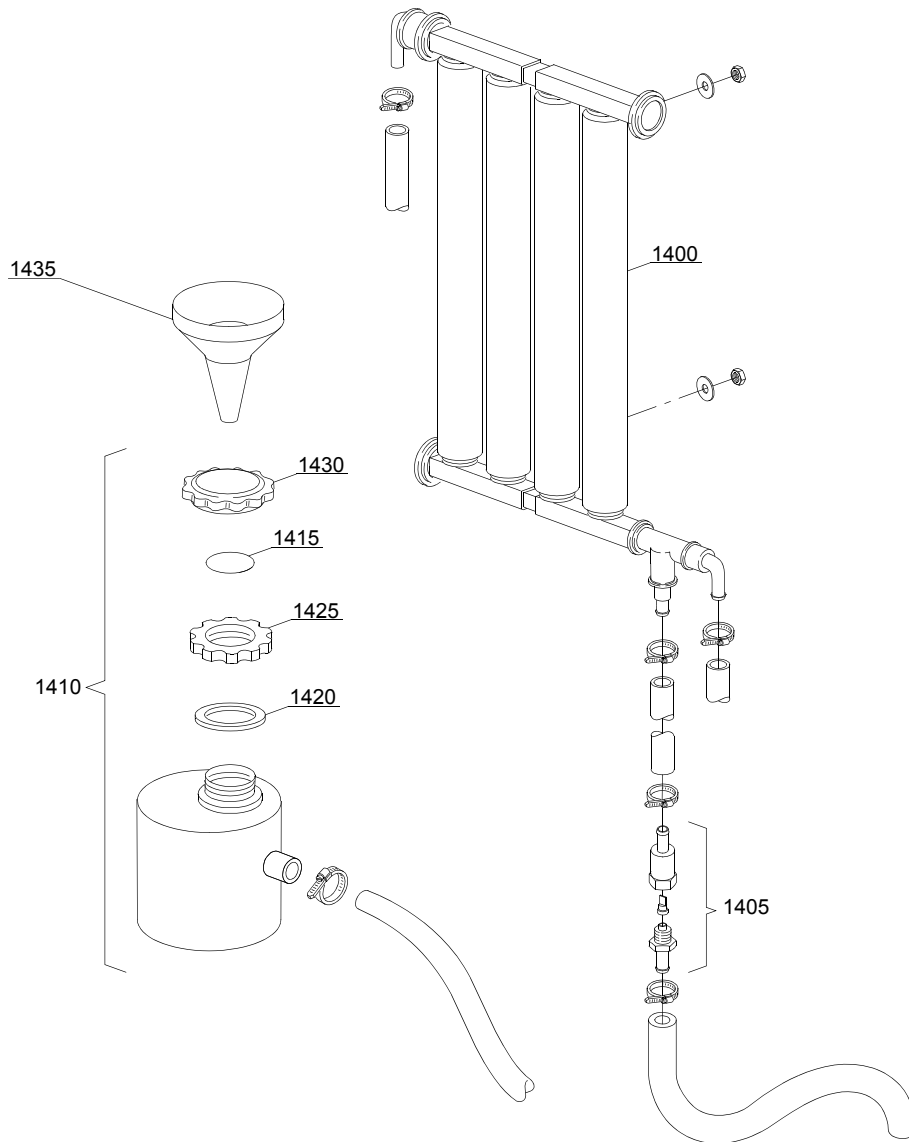


08_005_e

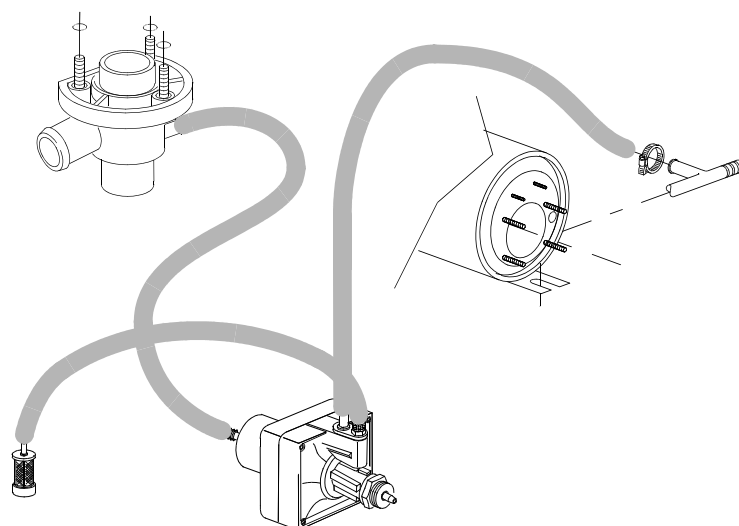
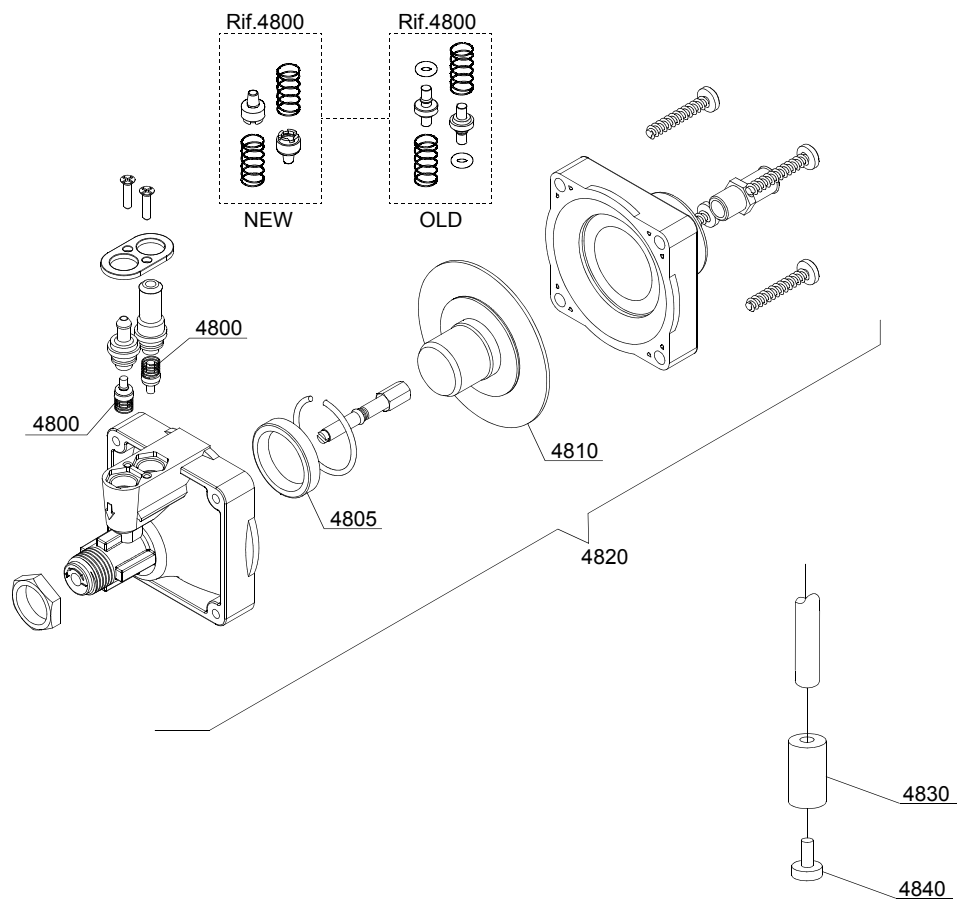
Spare parts

ID	P-code	Model	Type	Accessory	Voltage	Description
MODULE:DVGW						
1300	999900006		31U	dvgw		DVGW assembly

09_001_e



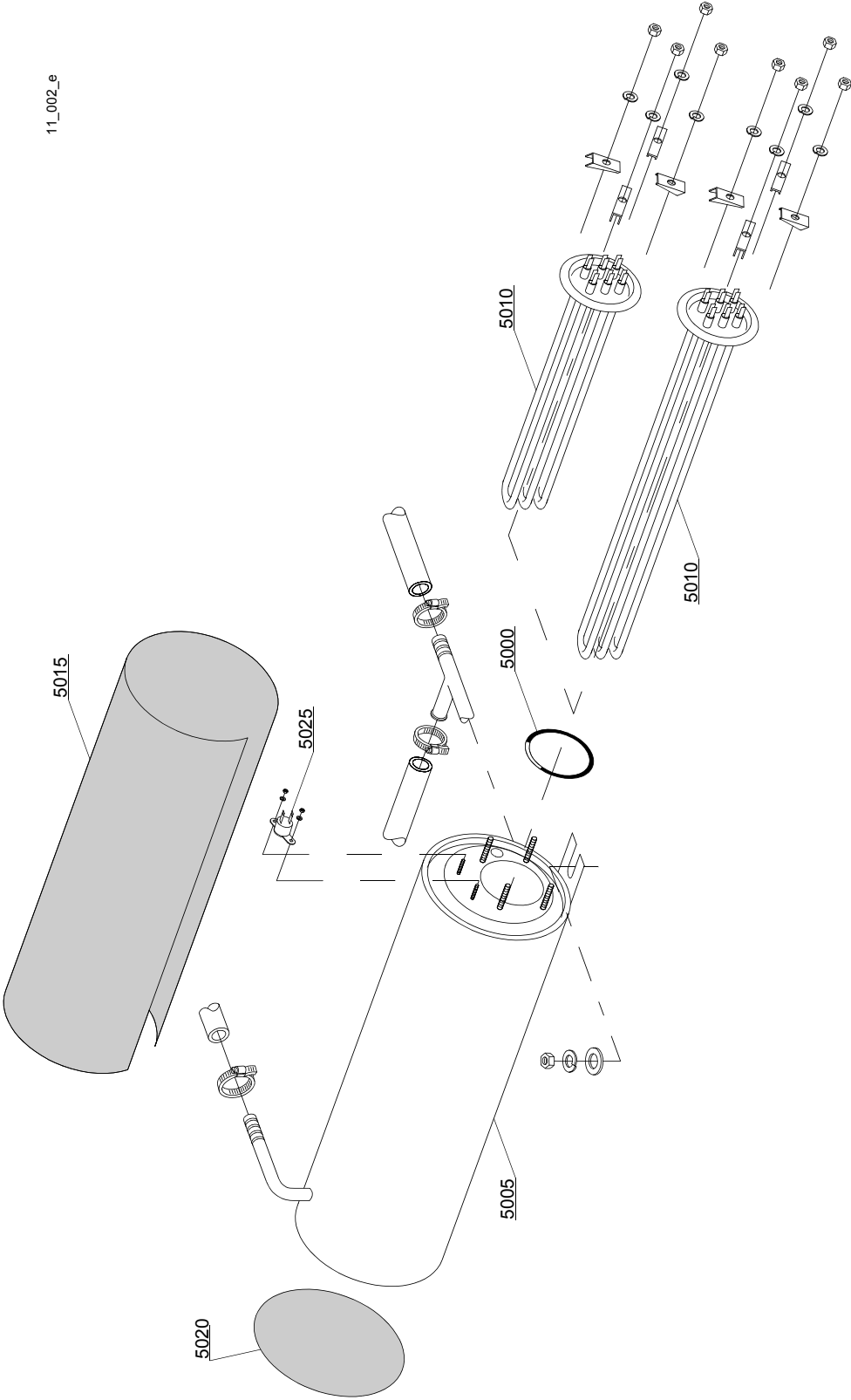
ID	P-code	Model	Type	Accessory	Voltage	Description
MODULE:Water softner group						
1400	16066		31U	ws		4 elements water softner
1405	16070		31U	ws		Nonreturn valve
1410	16065		31U	ws		Salt container
1415	16067/A		31U	ws		OR gasket
1420	16067/B		31U	ws		Gasket
1425	16067/C		31U	ws		Ring nut
1430	16067/D		31U	ws		Plug
1435	16082		31U	ws		Funnel



10_004_e

Spare parts

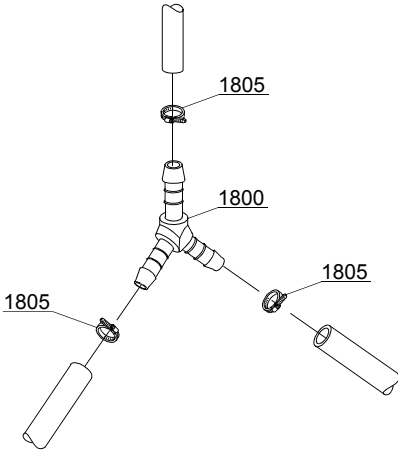
ID	P-code	Model	Type	Accessory	Voltage	Description
MODULE:Shining product dosing device group						
4800	10805		31U			Tecnopro dosing valve
4805	10806		31U			Ø22 gasket
4810	10807		31U			Membrane
4820	10799		31U			Shining product dosing device
4830	12525		31U			Counter-weight
4840	15058		31U			Small filter



11_002_e

Spare parts

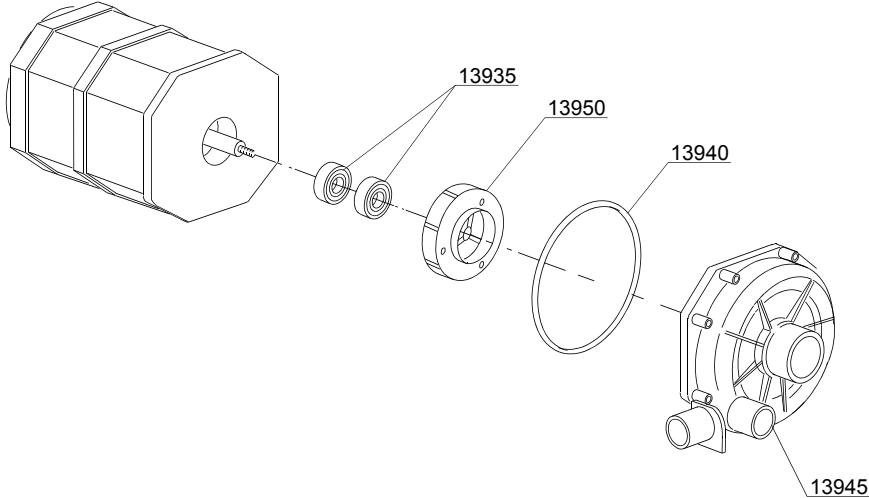
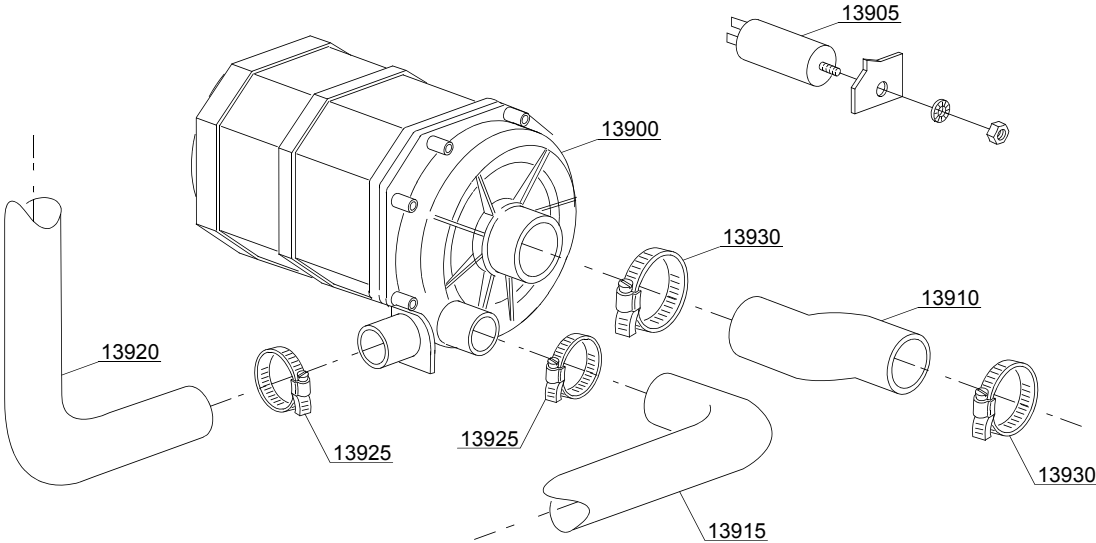
ID	P-code	Model	Type	Accessory	Voltage	Description
MODULE:Boiler group						
5000	13005		31U			OR 151 NBR gasket
5005	150905		31U			Boiler
5010	15089		31U			4,5KW heating element
5010	15089/D		31U			2,5KW - 220V heating element
5010	15089/E		31U			6KW - 230V heating element
5010	15046		31U			3KW heating element
5015	15066		31U			Insulating boiler
5020	15205		31U			Ø160 bottom
5025	15550		31U			Safety thermostat



12_003_e

Spare parts

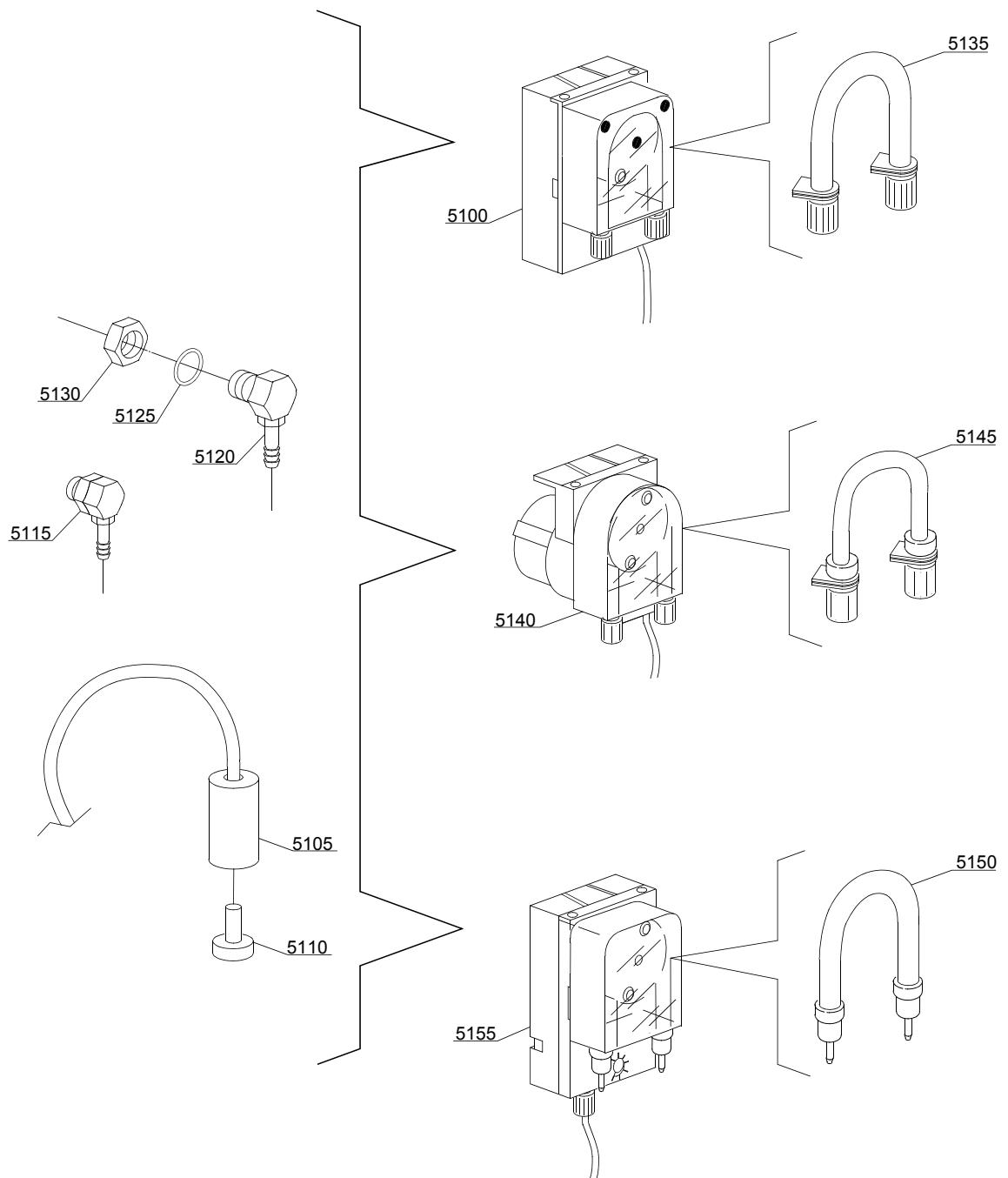
ID	P-code	Model	Type	Accessory	Voltage	Description
MODULE:3 ways derivation						
1800	540091		31U			Ø12 mm plastic 3 ways derivation
1805	11807		31U			12/22 clamp



13_110_e

Spare parts

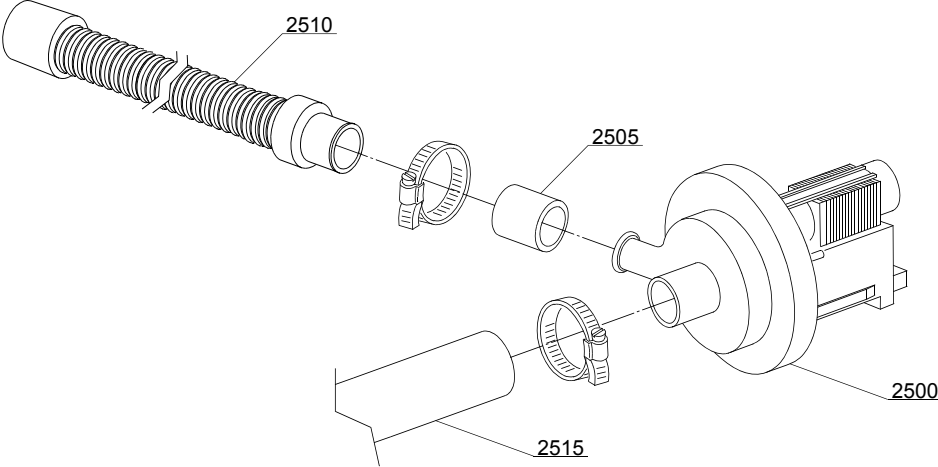
ID	P-code	Model	Type	Accessory	Voltage	Description
MODULE:Wash pump						
13900	150914		31U			0,70Hp wash pump
13905	15081		31U			12,5 uF condenser
13910	25032/A		31U			Suction pipe coupling
13915	150049		31U			Lower wash pipe coupling
13920	150048/A		31U			Wash ramp
13925	11806		31U			25/40 clamp
13930	11809		31U			30/45 clamp
13935	15080		31U			Rotating seals
13940	7130		31U			OR pump gasket
13945	16182		31U			Scroll
13950	15079/F		31U			Pump rotor



14_004_e

Spare parts

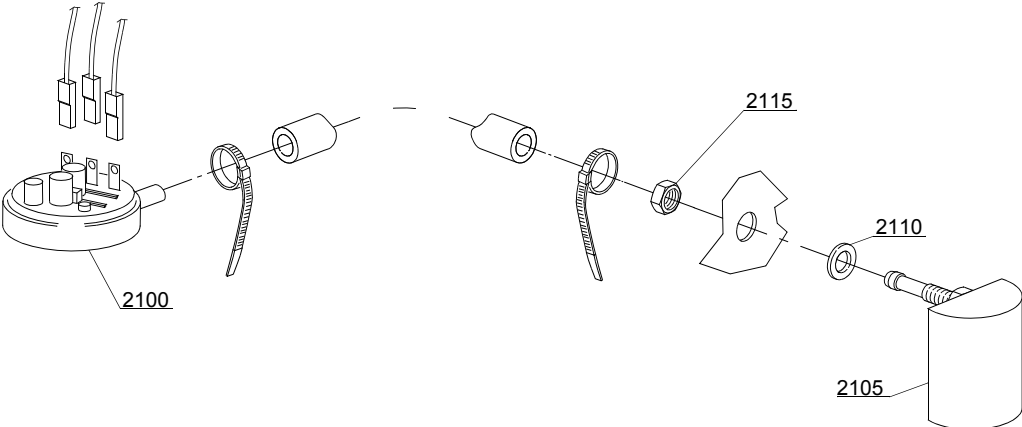
ID	P-code	Model	Type	Accessory	Voltage	Description
MODULE:Dosing device group						
5100	15985		31U	dd		Seko dosing device
5105	12525		31U	dd		Counter-weight
5110	15058		31U	dd		Small filter
5115	15123		31U	dd		Compleat plastic injector
5120	15148		31U	dd		Steel injector
5125	15159		31U	dd		OR gasket
5130	10200205		31U	dd		M12x1 stainless steel nut
5135	15185		31U	dd		Ø 10 Seko thermoplastic pipe
5140	15985		31U	dd		Germac dosing device
5145	15108/E		31U	dd		Ø 8 Germac thermoplastic pipe
5150	15985/A		31U	dd		Ø 10 PLAS CONT thermoplastic pipe
5155	15985		31U	dd		PLAS CONT detergent pipe



15_004_e

Spare parts

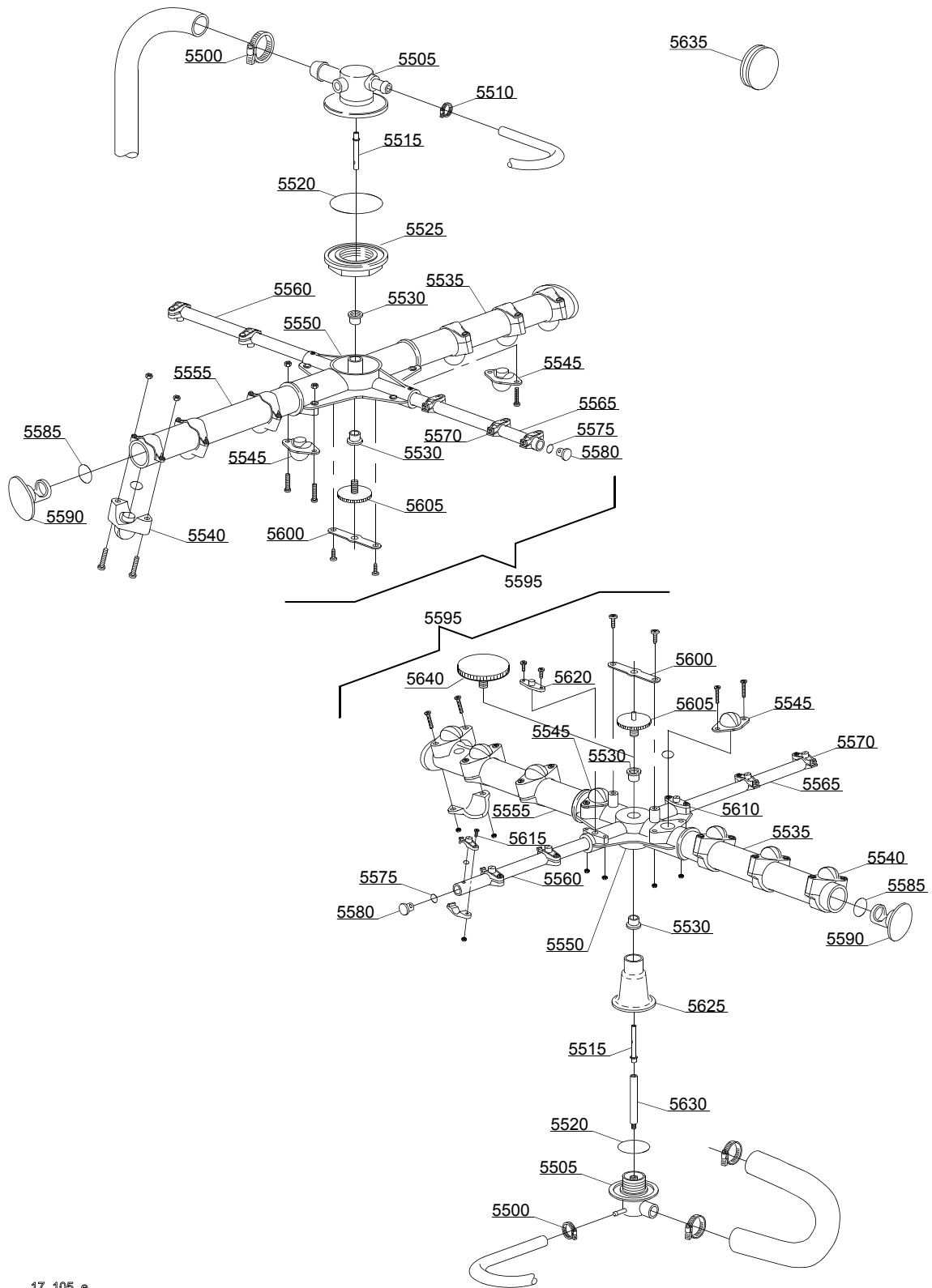
ID	P-code	Model	Type	Accessory	Voltage	Description
MODULE:Drain pump group						
2500	15101		31U	dp		Drain pump
2505	15101/D		31U	dp		Pipe fitting
2510	10727		31U	dp		Drain pipe
2515	18044		31U	dp		Drain coude/pump connection pipe



16_001_e

Spare parts

ID	P-code	Model	Type	Accessory	Voltage	Description
MODULE:Pressure switch group with air trap						
2100	10706/A		31U			47-27 pressure switch
2105	135911/B		31U			Air trap assembly
2110	13301		31U			Gasket
2115	11702		31U			M8 stainless steel nut



17_105_e

