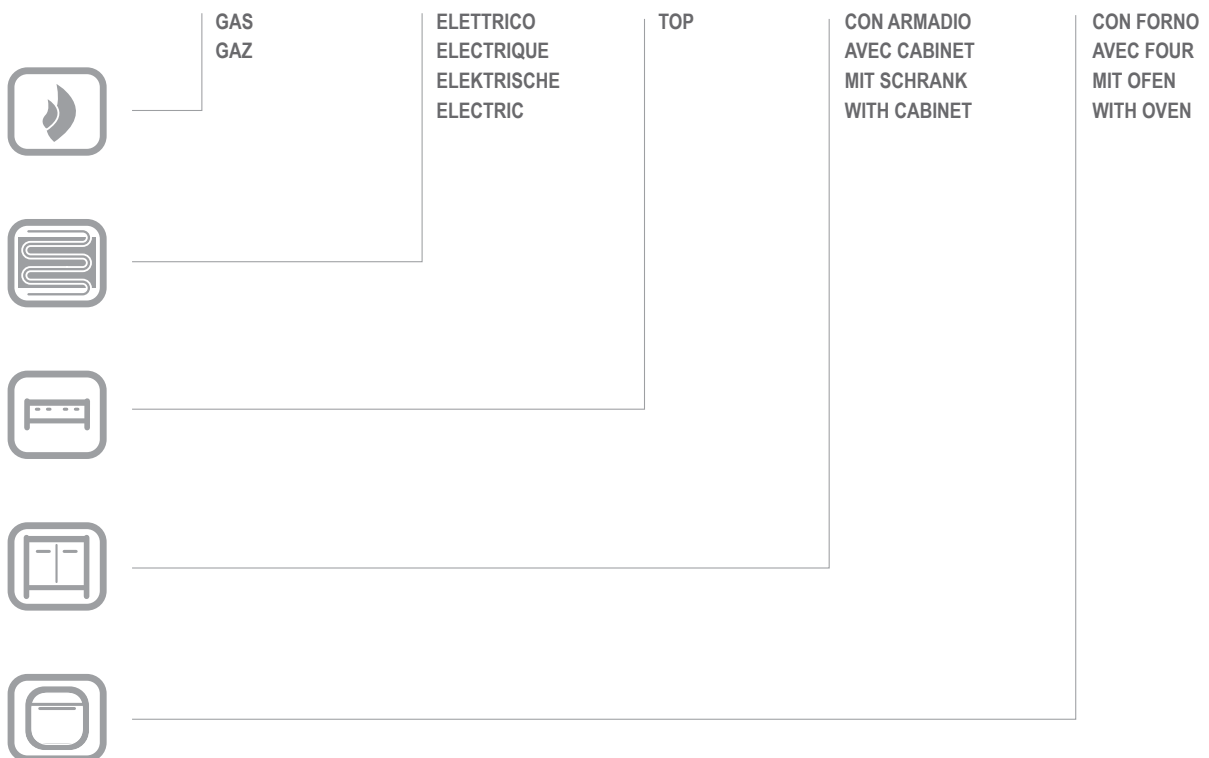


# GFT998 (L-LC-R-LR-LRC)

GFT998

CATALOGO PARTI DI RICAMBIO  
CATALOGUE PIECES DETACHEES  
ERSATZTEILKATALOG  
SPARE PARTS CATALOGUE





**Catalogo parti di ricambio valido  
dalla matricola 0000001 (31.10.2006) ad oggi (09.01.2017)**

**Catalogue pieces detachees  
valable à partir du numero de Série n. 0000001 (31.10.2006) jusqu'à aujourd'hui  
(09.01.2017)**

**Ersatzteilkatalog  
gültig ab Serien-Nr. 0000001 (31.10.2006) bis heute (09.01.2017)**

**Spare parts catalogue  
valid from serial no. 0000001 (31.10.2006) up today (09.01.2017)**

**Catálogo de peças de reposição  
válido do número de série 0000001 (31.10.2006) até hoje (09.01.2017)**

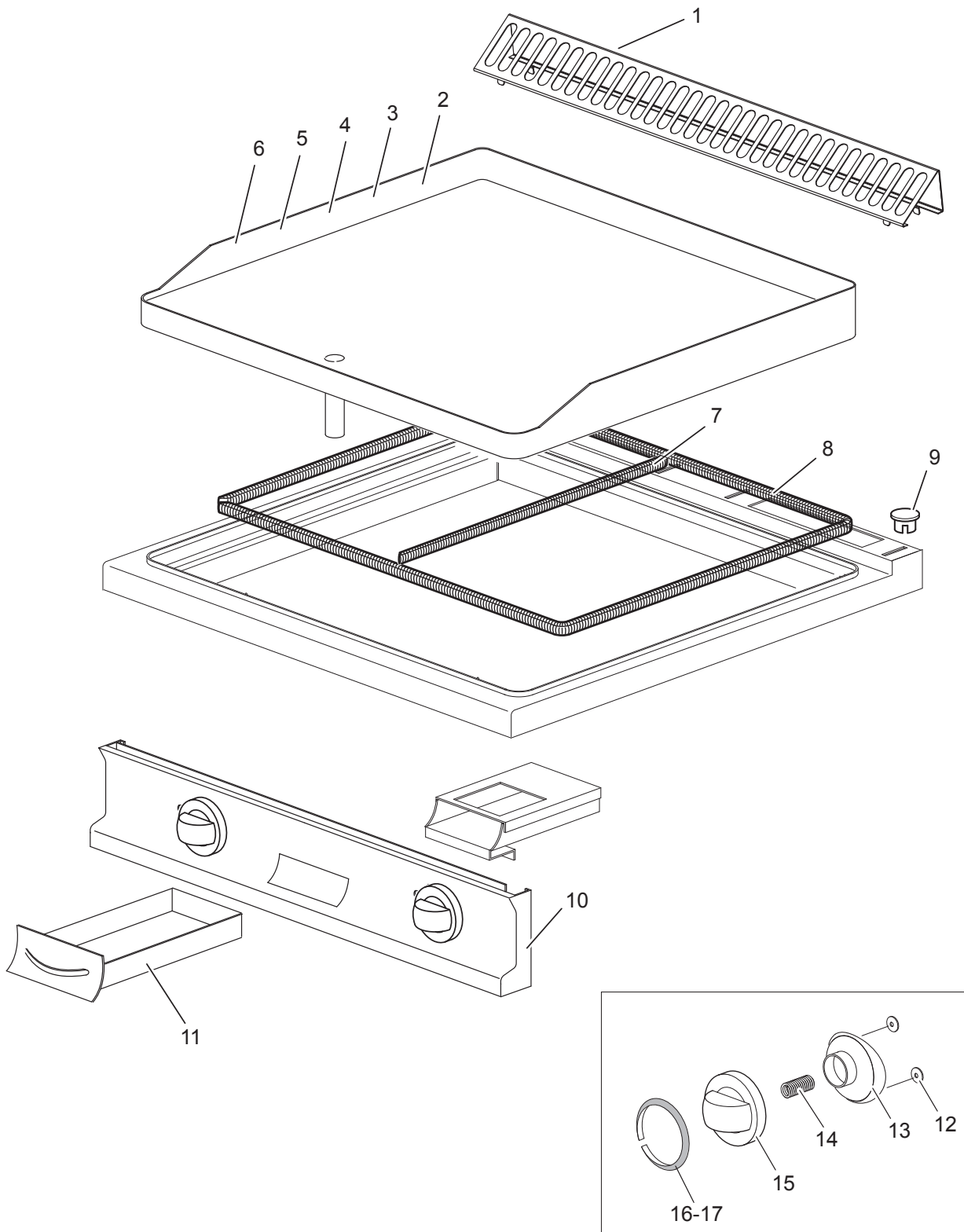
Le informazioni sono considerate non vincolanti. Le immagini rappresentate sono puramente indicative. Il produttore si riserva il diritto di apportare modifiche in qualsiasi momento senza preavviso.

Les informations données ne sont pas contraignantes. Les images montrées sont à titre indicatif. Le producteur se réserve le droit d'apporter des modifications sans préavis.

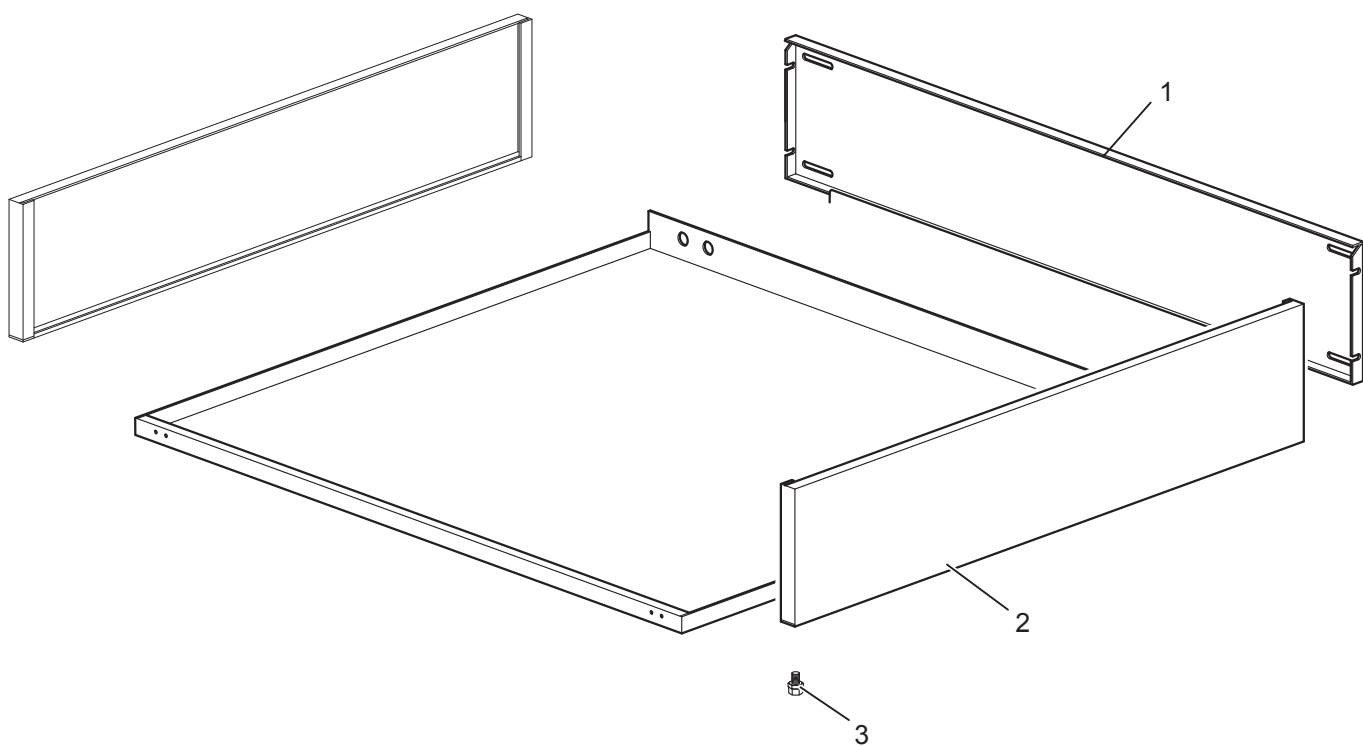
Die im vorliegenden Dokument aufgeführten Informationen und Bilder sind unverbindlich. Der Hersteller behält sich das Recht vor, jederzeit ohne vorherige Ankündigung Änderungen vorzunehmen

Info and drawing could be slightly different from reality and they cannot be considered as compelling. Manufacturer can modify info anytime without forewarning.

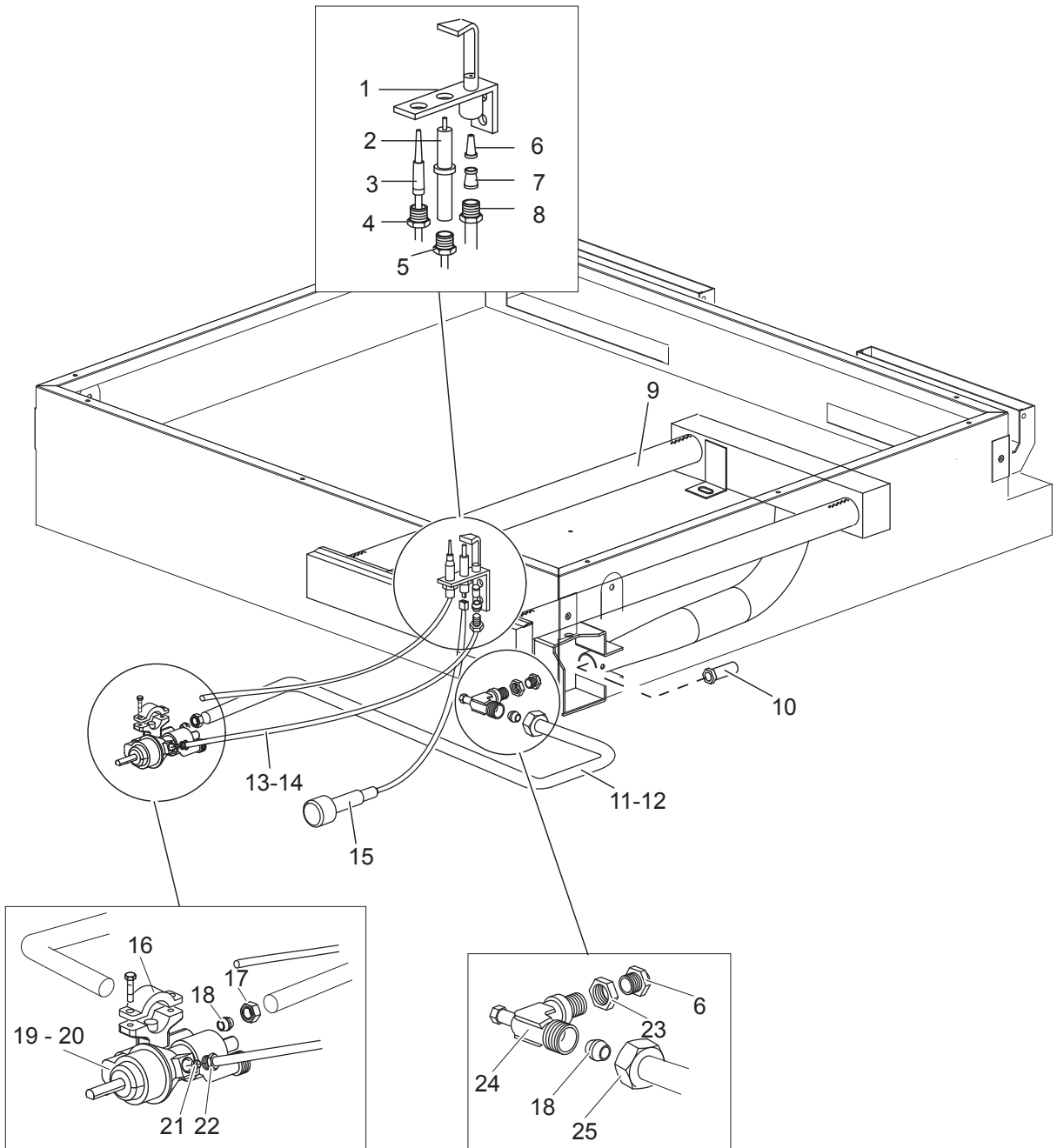
As Informações e desenhos podem estar um pouco diferente da realidade e são puramente indicativas. O fabricante pode modificar estas informações a qualquer momento sem aviso prévio.



<b>Nr.</b>	<b>Code</b>	<b>Title</b>	<b>Recommended</b>
1.	182799	<i>GRILLE POUR CHEMINÉE</i>	N
2.	185839		
3.	185840	<i>SMOOTH CHROMED PLATE</i>	
4.	185841	<i>RIBBED PLATE</i>	
5.	185842	<i>SMOOTH RIBBED PLATE</i>	
6.	185843	<i>SMOOTH RIBBED PLATE</i>	
7.	163289	<i>INS.BRAID PARTITION GFT99</i>	N
8.	163292	<i>ISOL.TRESSE CHAMBRE COMB.GFT117</i>	N
9.	163603	<i>BOUCHON FIX.PLAQUE DOMINA</i>	N
10.	183462	<i>CONTROL PANEL</i>	N
11.	RIC0004758	<i>TIROIR POUR L'HUILE COMPLET</i>	N
12.	176318	<i>ELASTIC METAL CLIP -WASHER DIAM 4 MM</i>	S
13.	171439	<i>GAS VALVE KNOB HOUSING G4S11</i>	S
15.	171437	<i>GAS VALVE KNOB BODY G4S77 SILVER</i>	S
16.	174324	<i>THERMOSTAT KNOB LABEL GFT411</i>	S
17.	174323	<i>THERMOSTAT RING 280°</i>	S



<b>Nr.</b>	<b>Code</b>	<b>Title</b>	<b>Recommended</b>
1.	183270	<i>BACK SIDE</i>	N
2.	183457	<i>TOLE LATERAL</i>	N
3.	RTCU700324	<i>FOOT S.G4S7 TOP/32</i>	N



<b>Nr.</b>	<b>Code</b>	<b>Title</b>	<b>Recommended</b>
1.	RTCP800034	<i>CORPS PILOTE G100 0140026</i>	S
2.	RTCP800033	<i>BOUGIE D'ALLUMAGE RONDE G100 CAST0772183</i>	S
3.	RTCU700296	<i>THERMOCOUPLE 40 0290083/TARGET</i>	S
4.	RTCP800038	<i>RACCORD T/C.PIL.GC47 0974036</i>	S
5.	RTCU900215	<i>RACCORD CAND.TUYAU DE VIDANGE ST.0974037</i>	S
6.	INIETTORE	<i>SEE HANDBOOK NOZZLES</i>	N
7.	RTCU800183	<i>BICONE D.6 G4SF 0957010</i>	S
8.	RTCU800182	<i>ECROU ALL.D.6 G4SF 0958047</i>	S
9.	160165	<i>BRUL.GFT49 18196214001</i>	N
10.	160522	<i>AIR REGULATION</i>	N
11.	182412	<i>FEEDING PIPE FOR BURNER</i>	N
12.	182430	<i>RIGHT FEEDING PIPE FOR BURNER</i>	N
13.	182431	<i>LEFT BURNER PILOT PIPE</i>	N
14.	182434	<i>RIGHT BURNER PILOT PIPE</i>	N
15.	RIC0004096	<i>PIEZO UNIT</i>	S
16.	167184	<i>SAFETY VALVE BRIDLE</i>	S
19.	168005	<i>THERMOSTAT GAZ 100-300/095 777112</i>	S
20.	182341	<i>THERMOSTAT GAZ</i>	S
21.	RTCU900018	<i>BICONE D.6 PEL0905</i>	S
22.	RTCU900019	<i>ECROU D.6 PEL0903/1</i>	S
23.	RTCU900005	<i>CONTRE-ECROU SUPP.INJEXT.PLAQUE</i>	N
24.	RTCU900337	<i>SUPPORT INJECT.F+PLAQUE CAF</i>	N