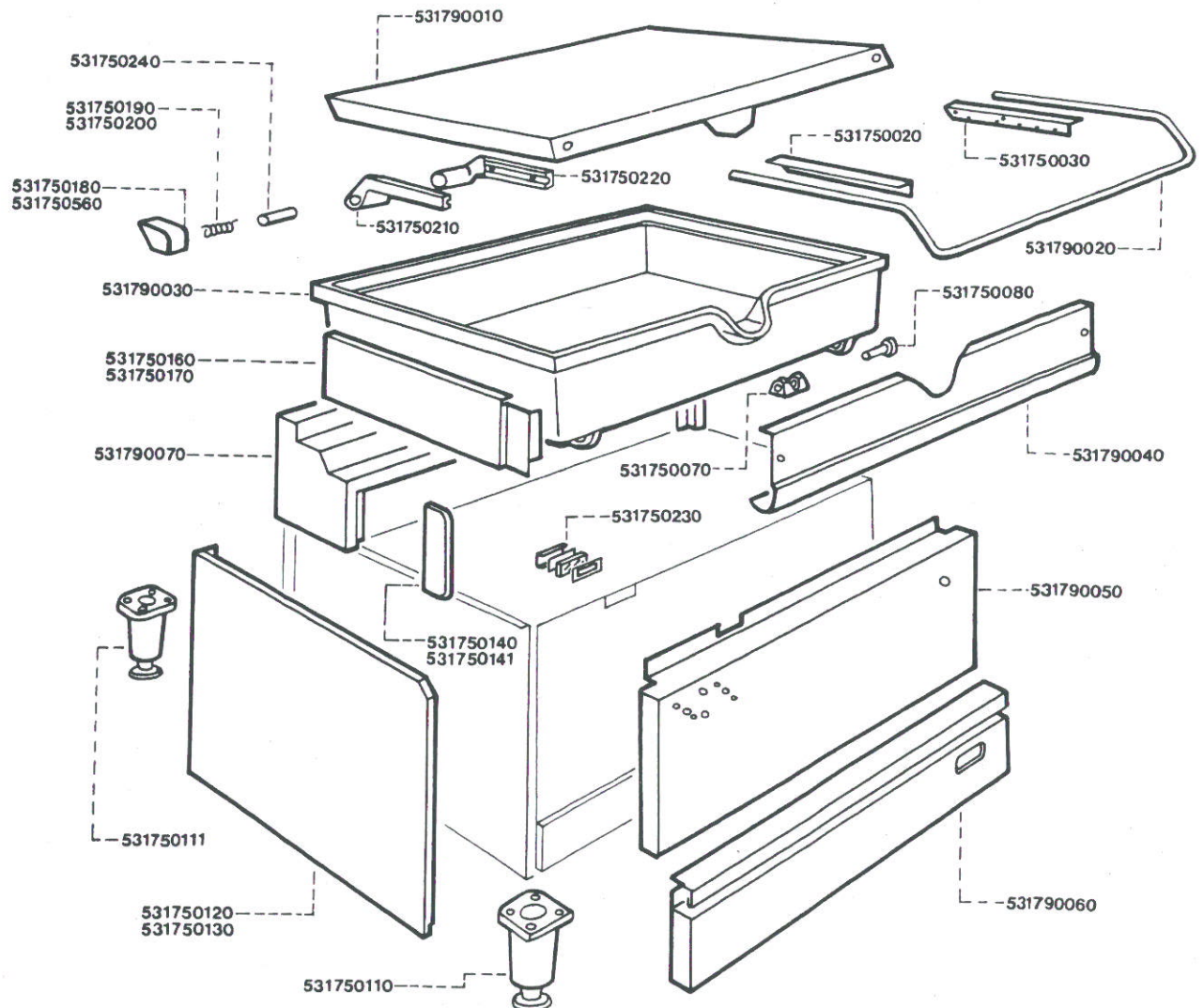


G1994 BRATT PAN

BRATT PAN FITMENTS



Code No.	Description
9C 531750020	Lid Hinge Bracket—L.H.
9C 531750030	Lid Hinge Bracket—R.H.
9C 531750070	Pan Hinge Casting
6B 531750080	Pan Hinge Pin
9B 531750110	Adjustable Leg c/w Foot—Front
9B 531750111	Adjustable Leg c/w Foot—Rear
2F 531750120	Outer Side Panel—L.H.
2F 531750130	Outer Side Panel—R.H.
12C 531750140	End Cheek—L.H.
12C 531750141	End Cheek—R.H.
12D 531750160	Pan Side Panel—L.H.
12D 531750170	Pan Side Panel—R.H.
3E 531750180	Lid Hinge Block—L.H.
3E 531750560	Lid Hinge Block—R.H.

Code No.	Description
8B 531750190	Lid Hinge Spring—L.H.
8B 531750200	Lid Hinge Spring—R.H.
10E 531750210	Lid Hinge Arm—L.H.
10E 531750220	Lid Hinge Arm—R.H.
8C 531750230	Sight Glass Assembly
3C 531750240	Lid Hinge Bar

9H 531790010	Pan Lid
11F 531790020	Lid Handle
11N 531790030	Pan
7D 531790040	Pan Facia Panel
6F 531790050	Front Panel
3F 531790060	Bottom Front Panel
3G 531790070	Rear Hob Rail

Sheet Reference Number

G1994/1084/001

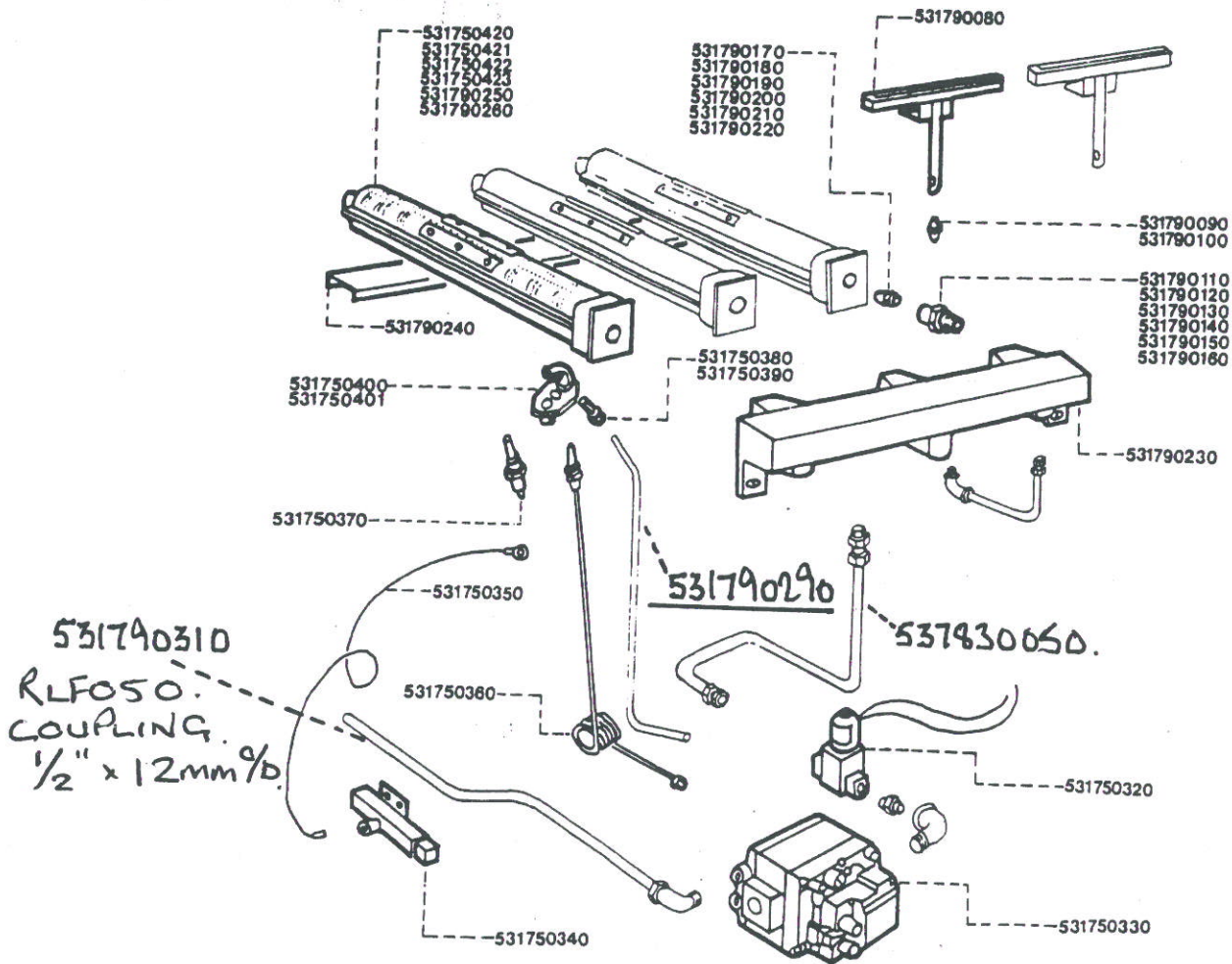
**Falcon Catering
Equipment**
Commercial and institutional
catering equipment



Falcon Catering Equipment is a
business name of
Glynwed Consumer & Building Products Ltd
a member of the
Glynwed International plc
group of companies

G1994 Bratt Pan

Pipework

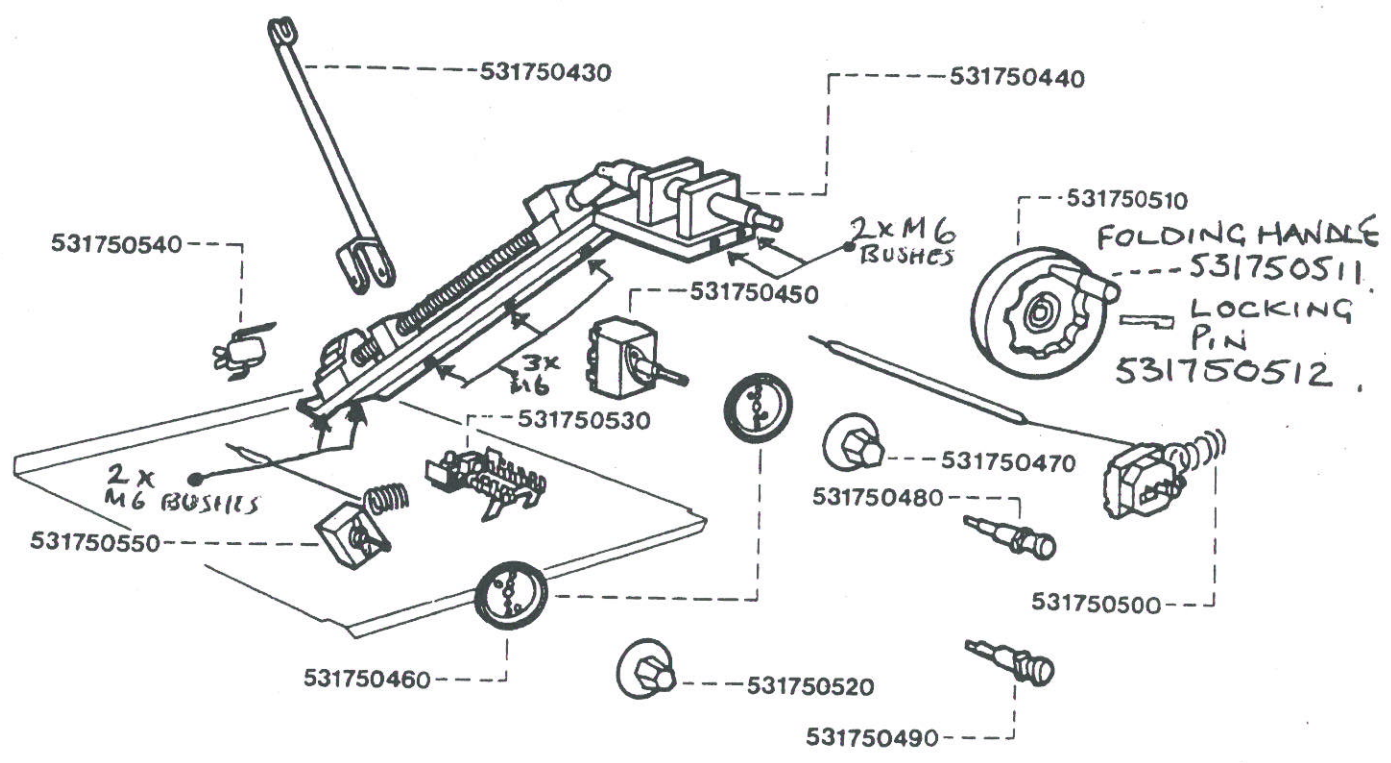


Spares No.	Description
531750320	Solenoid Valve
531750330	Multi-functional Control Valve
531750340	Spark Igniter
531750350	Igniter Lead
531750360	Thermocouple
531750370	Electrode
531750380	Pilot Jet - Natural Gas
531750390	Pilot Jet - Propane Gas
531750400	Pilot Burner - Natural Gas
531750401	Pilot Burner - Propane Gas
531750420	Burner - LH (Natural Gas)
531750421	Burner - RH (Natural Gas)
531750422	Burner - LH (Propane Gas)
531750423	Burner - RH (Propane Gas)
531790080	Cross Lighting Burner
531790090	Cross Lighting Jet - Natural Gas
531790100	Cross Lighting Jet - Propane Gas

Spares No.	Description
531790110	Burner Injector - RH (Natural Gas)
531790120	Burner Injector - LH (Natural Gas)
531790130	Burner Injector - Centre (Nat. Gas)
531790140	Burner Injector - RH (Propane Gas)
531790150	Burner Injector - LH (Propane Gas)
531790160	Burner Injector - Centre (Prop. Gas)
531790170	Injector Jet - RH (Natural Gas)
531790180	Injector Jet - LH (Natural Gas)
531790190	Injector Jet - Centre (Natural Gas)
531790200	Injector Jet - RH (Propane Gas)
531790210	Injector Jet - LH (Propane Gas)
531790220	Injector Jet - Centre (Propane Gas)
531790230	Manifold
531790240	Burner Support Channel
531790250	Burner - Centre (Natural Gas)
531790260	Burner - Centre (Propane Gas)

G1962 & G1994 Bratt Pans

Mechanism and Electrics



Spares No.	Description
531750430	Jack Arm
531750440	Screw Jack
531750450	Simmerstat
531750460	Bezel
531750470	Simmerstat Knob
531750480	Indicator Lamp - Amber
531750490	Indicator Lamp - Red
531750500	Safety Thermostat
531750510	Handwheel
531750520	Control Thermostat Knob
531750530	Terminal Block
531750540	Microswitch
531750550	Control Thermostat