

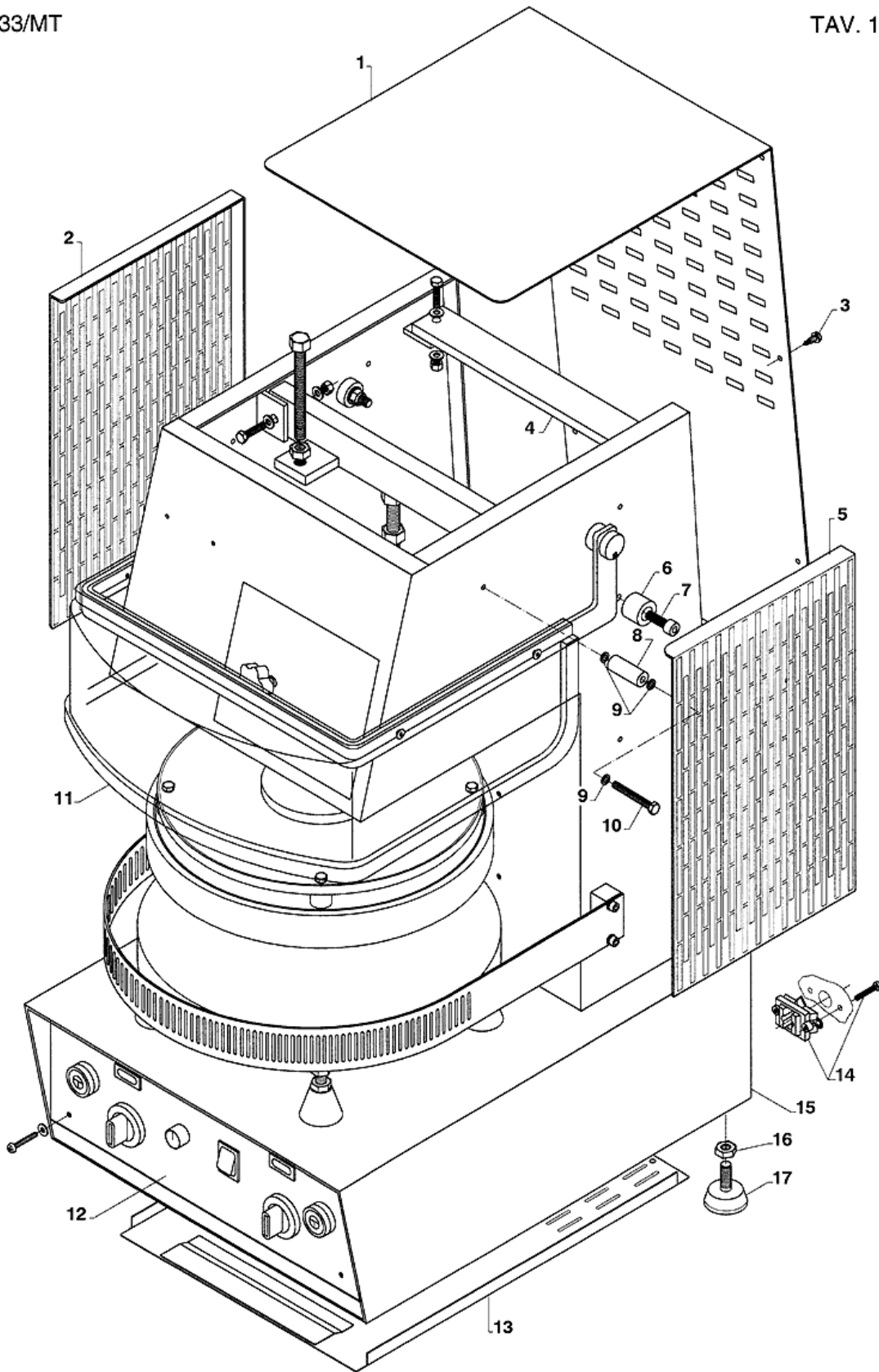


Spare Parts Catalogue PF33MT

- 1 - Table 1
- 2 - Table 2
- 3 - Table 3
- 4 - Table 4
- 5 - Table 5

33/MT

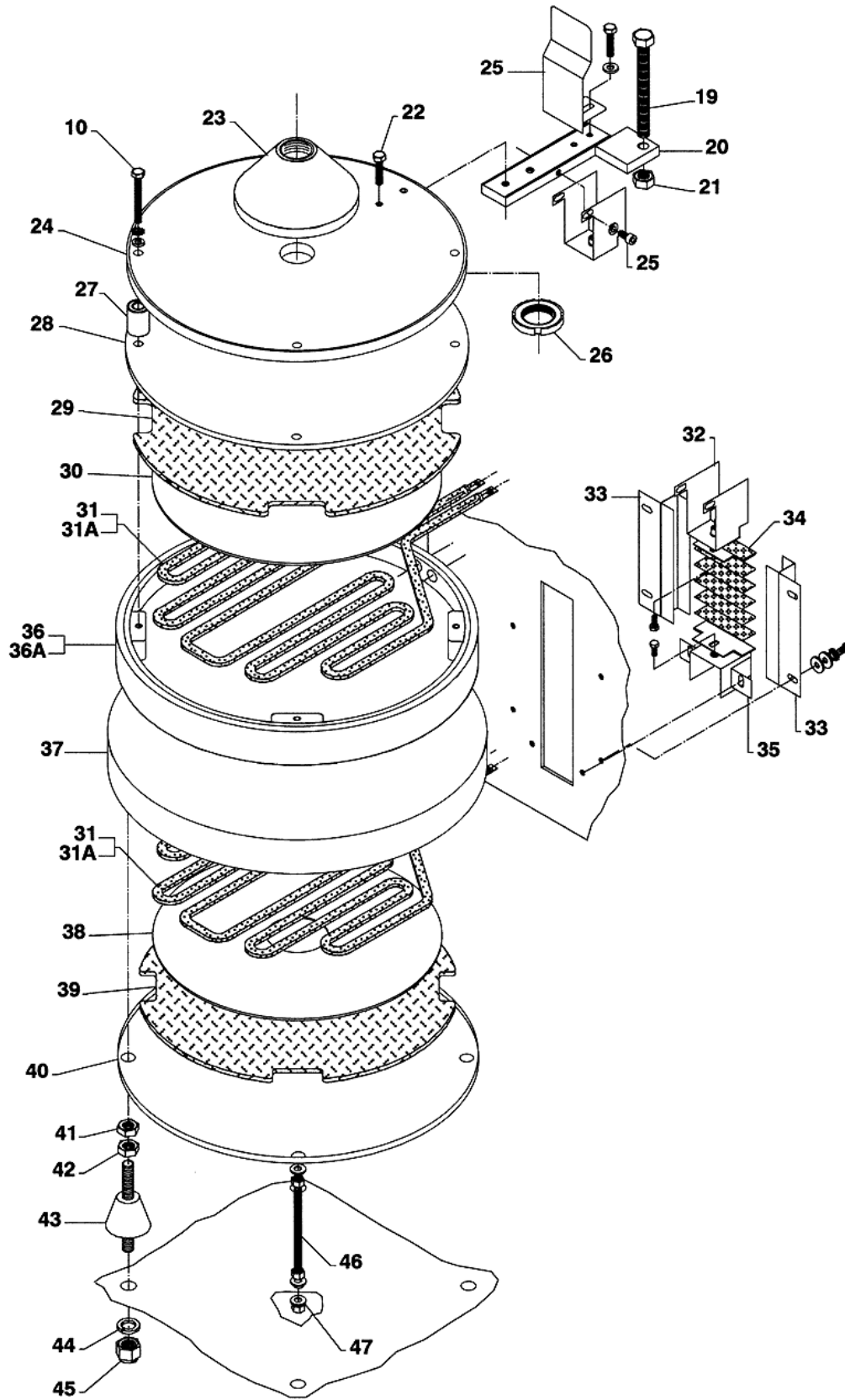
TAV. 1





1 - Table 1

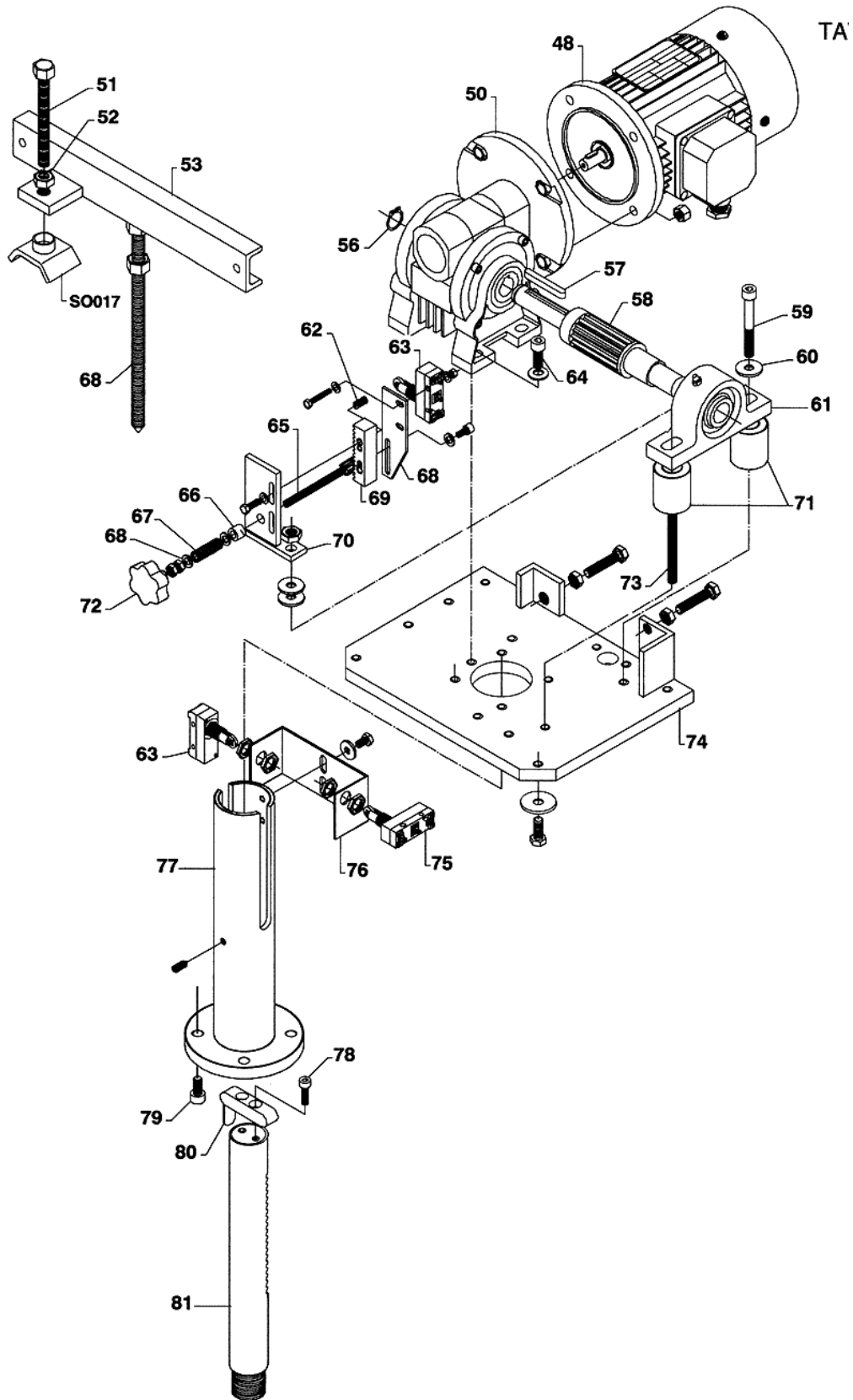
POSITION	CODE	DESCRIPTION
0001	SO17120	C.SCHIEN/COP.PF33 MT V.G(J3C00
0002	SO17420	PROTEZ.LAT.SX PF33 MT V(J3P16)
0003	MB16300	VITE AUTOF.PIAS.T.E.ZN 4,8X13
0004	SO023	REINFORCING BAR
0005	SO17220	PROTEZ.LAT.DX PF33 MT V(J3P15)
0006	AD176	CAPOTE FIXING BUSH
0007	MB15900	VITE TCEI 8X20 INOX 5931
0008	J3P1710	DIST.GRIGLIA PROTEZIONE
0009	MC01200	SCHRAUBE
0010	MB295	M6X55 SCREW
0011	SO176	COMPLETE CAPOTE
0012	SO175	COMPLETE CONTROL BOARD
0013	J3P13	BOTTOM
0014	AD00600	CABLE PRESSING ELEMENT+SCREWS -
0015	SO170	CASE
0016	MA04100	DADO INOX M10 RIBASSATO 5589
0017	AD00800	PIEDINO GOMMA D=40X10MA KG.20





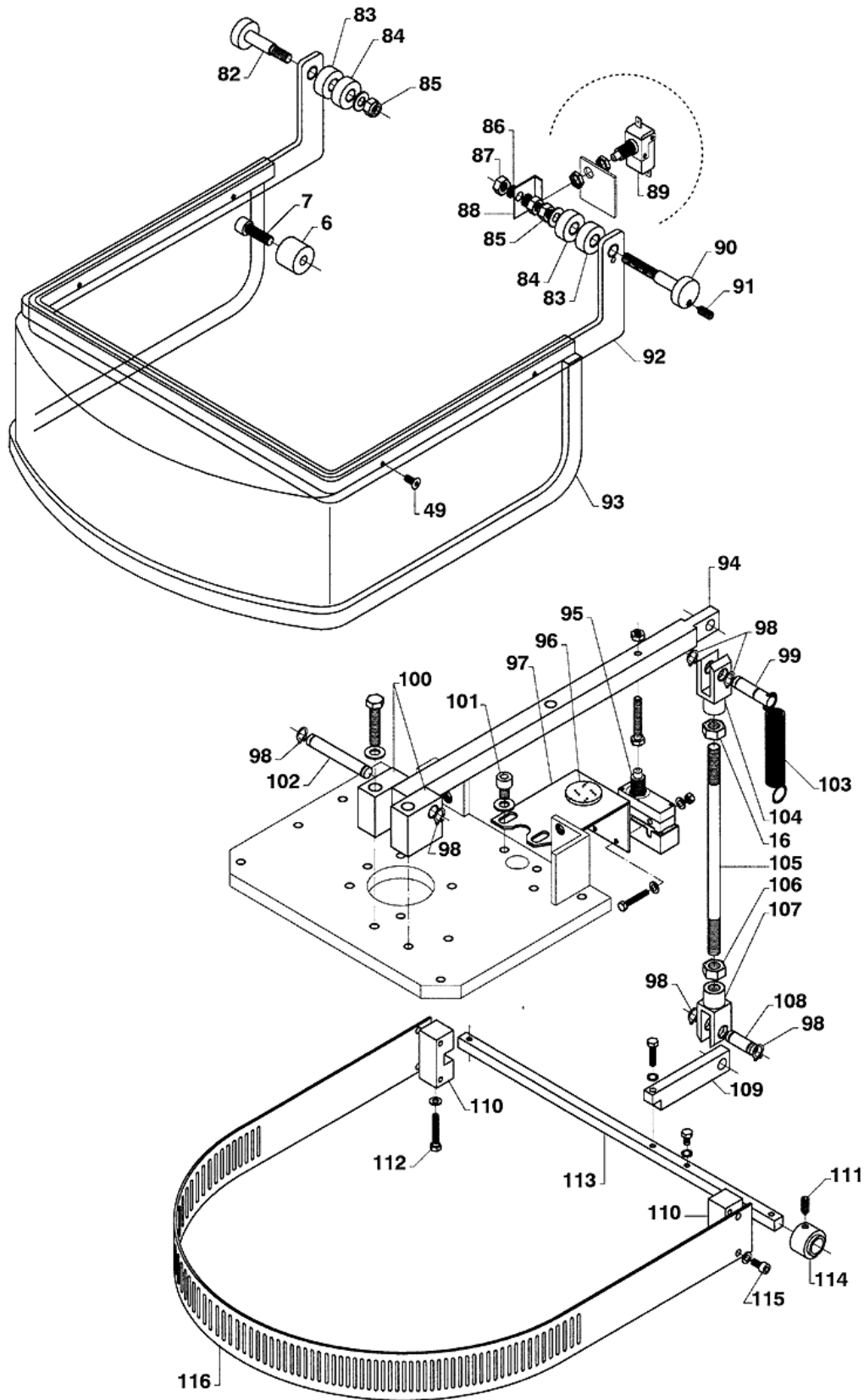
2 - Table 2

POSITION	CODE	DESCRIPTION
0010	MB295	M6X55 SCREW
0019	J3K10	THREADED BAR
0020	KC093	PLATE GUIDING BRACKETS
0021	MA049	LOWER M10 NUT
0022	MB21900	SCREW
0023	KC091	PLATE SUPPORTING ELEMENT
0024	KC038	PLATE SUPPORTING DISK
0025	MB21700	VITE TCEI 5X10 INOX 5931
0026	KC026	DISK LOCKING RING NUT
0027	KC095	PLATE SPACER
0028	J3P2500	COP.PIASTRA SUP.PF33 P.FERRO
0029	AL27200	DISCO SUP.D.262 PF33(SIALPACK)
0030	KA003	UPPER RESISTANCE DISK
0031	EE18100	RESISTENZA W.1500 V.400 PF/33
0031A	EE02800	RESIST. W1500 V.230 HZ50 PF33
0032	J3P09	UPPER RESISTANCE PROTECTION
0033	J3A00	BELLOWS GUIDE
0034	AL16400	SOFFIETTO 60X15 PA 98 PF/33
0035	J3B00	LOWERRESISTANCE PROTECTION
0036	KB06500	PIATTO SUP.D320 SV2MM FE.CR.S.
0036A	KB06700	PIATTO SUP.D320 PIANO FE.PF33M
0037	KB06400	PIATTO INF.D.335 FERRO CROM.S.
0038	KA00210	DISCO PROT.RESIST.INF PF33+PZ
0039	AL27300	DISCO INF.D.282 PF33(SIALPACK)
0040	J3P2600	COP.PIASTRA INF.PF33 P.FERRO
0041	MA047	UPPER M10 NUT
0042	MA048	M10 NUT
0043	KC094	SPACER
0044	MC089	FLAT M24 BUSH
0045	MA073	SELF-LOCKING NUT
0046	MD139	FLAT POINT M8X100 DOWEL
0047	MC04200	RANELLA PIANA D=6X24 SP.2 INOX



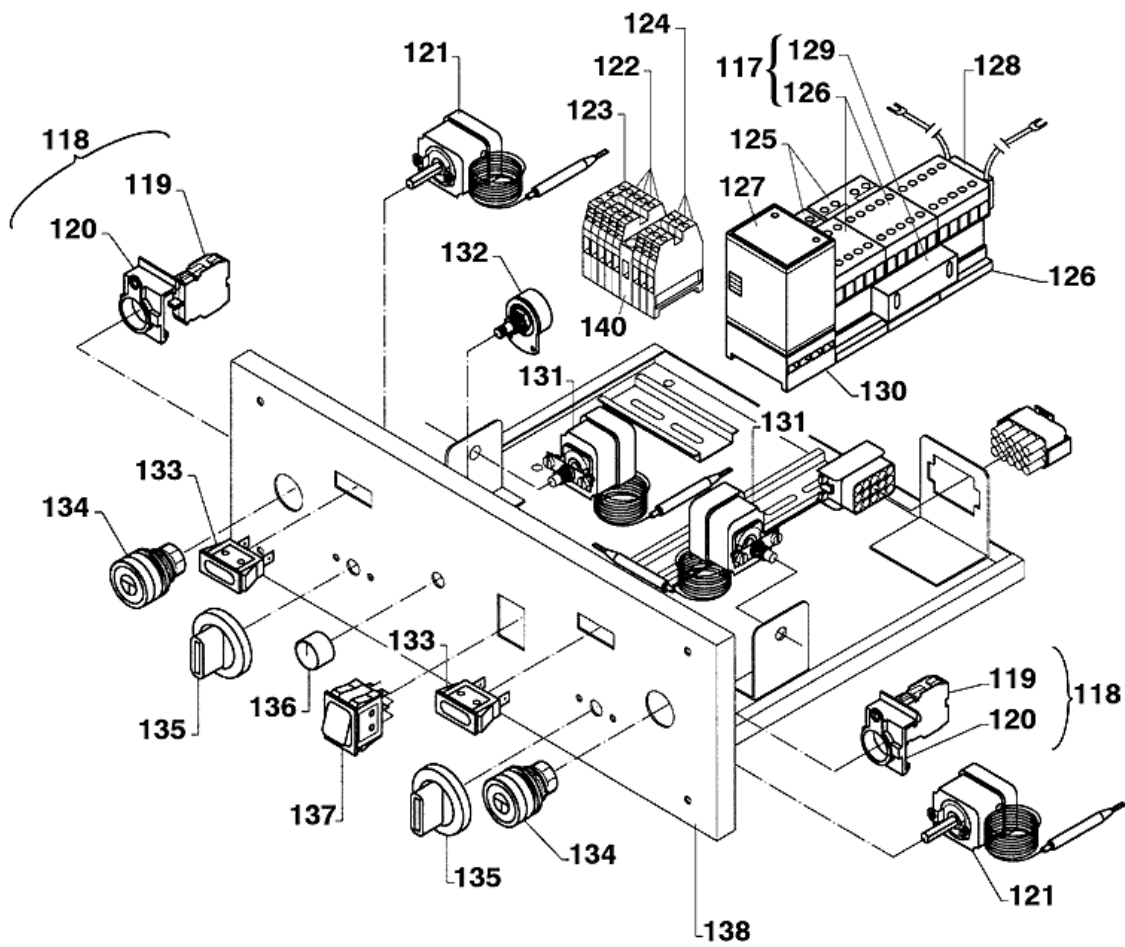
**3 - Table 3**

POSITION	CODE	DESCRIPTION
0	SO017	REDUCTION GEAR PUSHING BRACKET
0048	ES11200	MOT.KW.0,26 V.230/400+2T 50/60
0050	KD00100	RIDUT.MVF 44/A PF/33 R.1/46
0051	O3K3310	PUNTALE RIDUT.10MA CM11(BARRA
0052	MA01500	DADO M10 INOX UNI5588 DIN934
0053	SO019	I-IRON
0056	MC04500	ANELLO SEEGER X ESTERNO D=18
0057	KC02200	CHIAVETTA PIGNONE KC033 6X6X50
0058	KC03300	PIGNONE 15 DENTI TP NUOVO L205
0059	MB276	SCREW
0060	MC085	FLAT 8X24 WASHER
0061	KD01000	SUPP.PIGNONE PF33/45 UCP 204
0062	MD058	CONICAL POINT 6X5 DOWEL
0063	EG03200	MICROSWITCH
0064	MB22400	VITE TCEI M 8X20 UNI 5931 8.8
0065	KC05810	PIGNONE MOD.1+BARRA M6 INOX
0066	J3P1800	DIST.OTTONE L=10 D.12 F.10
0067	KD02100	MOLLA SPESSIMETRO PF33/45
0068	KC05910	MONT.MOB.ALT=STAFFA P/MICRO PF
0069	KC05720	CREMAGL.MOD.1 PF/33-45 (O3K40)
0070	KC056	ALTIMETER BRACKET
0071	KC031	PINION SUPPORT SPACER
0072	AC02900	MANOP.SPESS.D=6 PF33-45+REG.
0073	O3K46	SUPPORT FIXING BAR
0074	KC061	INNER PLATE
0075	EG03700	MICRO PULS.FIL.C/ROT.TRASV.BM2
0076	J3P0110	STAFFA REGOL.MICRO SALITA(PREM
0077	KC03600	COMPL.CILINDRO ALB.CREM.PF/33
0078	MB286	SCREW
0079	MB278	SCREW
0080	KC03211	GUIDA ALBERO CREM+PIASTRINA
0081	KC03400	ALBERO CREMAGLIERA PF/33



**4 - Table 4**

POSITION	CODE	DESCRIPTION
0006	AD176	CAPOTE FIXING BUSH
0007	MB15900	VITE TCEI 8X20 INOX 5931
0016	MA04100	DADO INOX M10 RIBASSATO 5589
0049	MB28200	VITE TBEI INOX A2 SCEW 6X12 FL
0082	AE02720	PERNO F.GRIGLIA IMP.KG20(O2U01
0083	AE15900	DIST.TELAIO CAP.D.25 F.10 PF33
0084	AE16020	DIST.INT.C.28X7 PF33MT Z.J3K03
0085	MA06600	DADO AUT.ALTO M8 ZINC.DIN 982
0086	MC02900	RANELLA DENT.EST.M8 INOX 6798
0087	MA023	LOWER M8 NUT
0088	SQ01010	STAFFA MICRO SAGOM.30-50-PF330
0089	EG00100	MICROSWITCH
0090	AE10920	PERNO GRIGLIA D.25X74 CR(O6K30
0091	MD092	FLAT POINT 5X10 DOWEL
0092	SO173	CAPOTE FRAME
0093	J3L0100	PROTEZ.P.SUP(CAPOTE)PF33 MT
0094	KC006	HAND PROTECTION LEVER
0095	EG03100	MICRO PULSANTE FILETTATO MS10
0096	AD171	SHOCK ABSORBING FELT
0097	J3P02	HAND PROTECTION MICRO BRACKET
0098	MC06200	ANELLO SEEGER ESTERNO D.10
0099	KC009	UPPER PIN
0100	KC007	LEVER SUPPORTING BLOCK
0101	MB245	SCREW
0102	KC010	LEVER SUPPORTING PIN
0103	KD02000	MOLLA RICHIAMO SALV.PIZZAFORM
0104	KC020	RIGHT-HAND M10 FORK
0105	KC09220	TIRANTE SALV.PF33 MT CR(J3K19)
0106	MA07400	DADO M10 5588 SX FERRO ZINC.
0107	KC02100	FORCELLA 10MA SX PF/33MT+45AG
0108	KC00820	PERNO GIUNZ.INF.D=10X27(O3U02)
0109	KC00420	AVAMBR.LEVA SALV.10X20(O3K16)C
0110	KC01920	GIUNTO ASTA SALV.CROM.(O4K01)
0111	MD02100	GRANO A PUNTA 5927 6X10 8.8
0112	MB12600	VITE TE M 5X30 INOX 5739
0113	KC00320	ASTA SALV.PF33+PF33MT CR.J3K09
0114	KC012	BUSH
0115	MB21700	VITE TCEI 5X10 INOX 5931
0116	KC01810	SALVAMANI PF/330 1X62X1021





5 - Table 5

POSITION	CODE	DESCRIPTION
0117	EN06310	COMPL.TELEINVERTIT.PF45MT+33MT
0118	EF09810	START OFF BUTTON BLOCK COMPLETE
0119	50MAA78015	N.O. CONTACT
0120	50MAA78014	CONTACTS SUPPORT
0121	ED04800	TERMOSTATO 100-180°PF33-PF45HT
0122	EP00800	MORSETTO COMPON.WK 6/U GRIGIO
0123	EP03800	MORSETTO TERRA GI/VE WK 6 SL/U
0124	EP00200	MORSETTO COMPON.WK 4/U GRIGIO
0125	EN07200	CONTATTO AUX MC6.9 G 320/2
0126	EN076	CONTACTOR
0127	EC03900	TIMER TF024 F02 741 6"V230/400
0128	EN07300	ANTIDISTURBO RC 047/220 400V
0129	EN05400	INTERBLOCCO MECCANICO G321
0130	EC02700	ZOCCOLO TEMP.OCTAL A VITE PF
0131	ED04900	TERMOST.SICURA 250°PF33MT+PF45
0132	HE09200	POTENZIOM.1 MOHM LIN.S.I.0,25
0133	EL03500	LAMP.SPIA RETT.V.380 PF45HT-33
0134	EF10010	PULS.AVV.PF45HT-PF33MT TN+PF
0135	AC06200	MANOPOLA COMMUTAT.EH009+EH030
0136	AC05100	MANOPOLA POTENZIOM.D.18,5 H.12
0137	EF00400	INTERR.BIP.LUM.ARANCIO V.400
0138	J3PC0	FRAME FOR CONTROL ELEMENTS
0140	EP00400	STAFFA FERMO MORSETTO 9708/S35