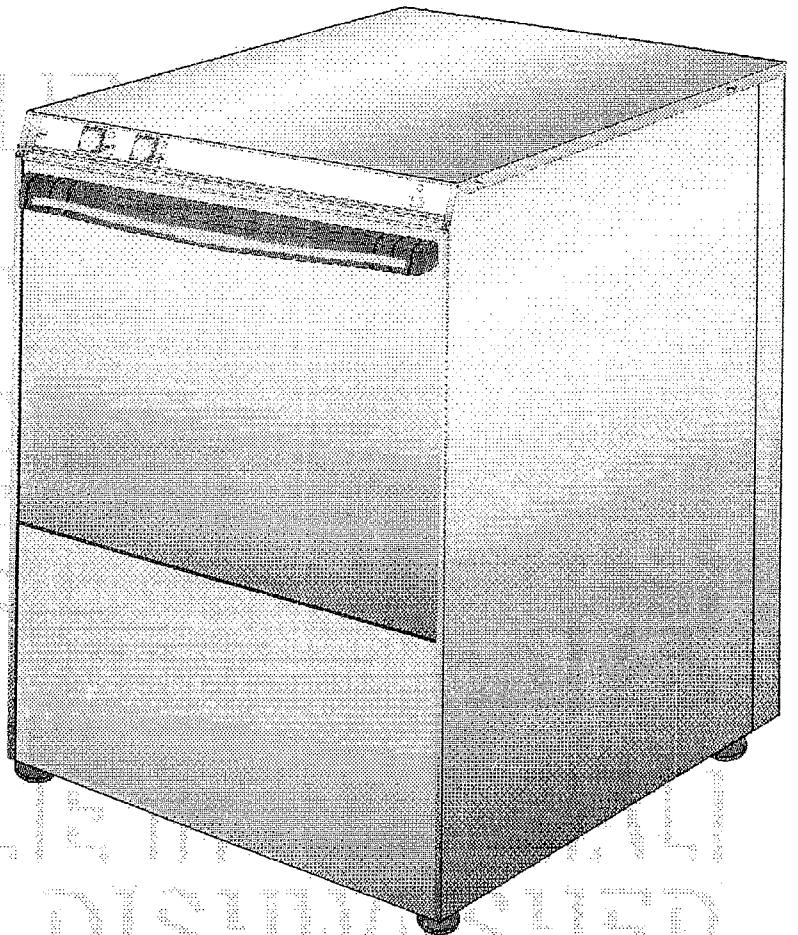


LAVASTOVIGLIE INDUSTRIALI
INDUSTRIAL DISHWASHER
LAVE-VAISSELLE INDUSTRIELS
INDUSTRIEGESCHIRRSPÜLES
LAVAVAJILLAS INDUSTRIALES

N700F

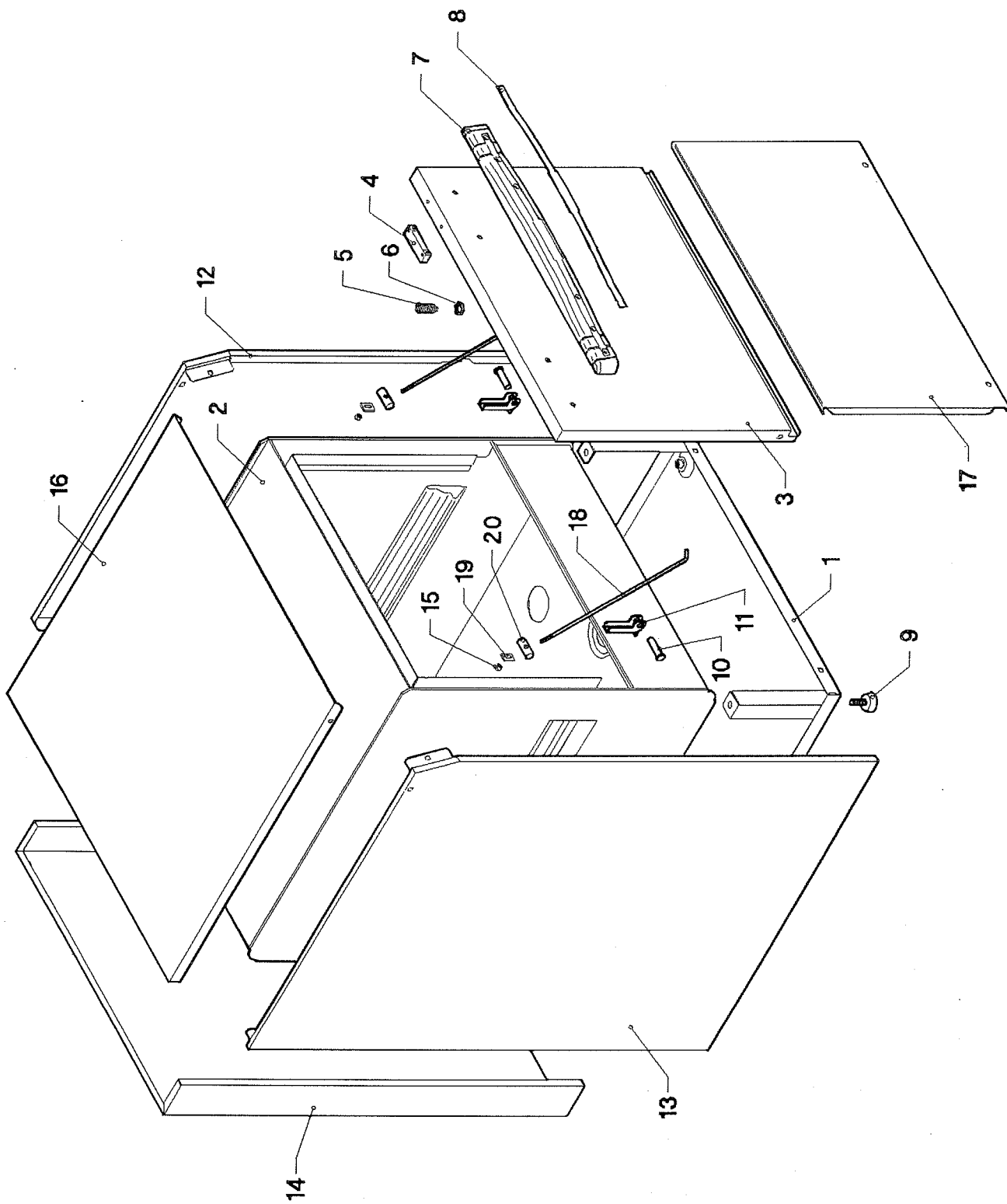
SA 500E



MANUALE DI RICAMBI
SPARE PARTS
CATALOGUES PIÈCES
ERSATZTEILEKATALOG
CATÁLOGO DE REPUESTOS

TAV. 1

ED. 09/2003

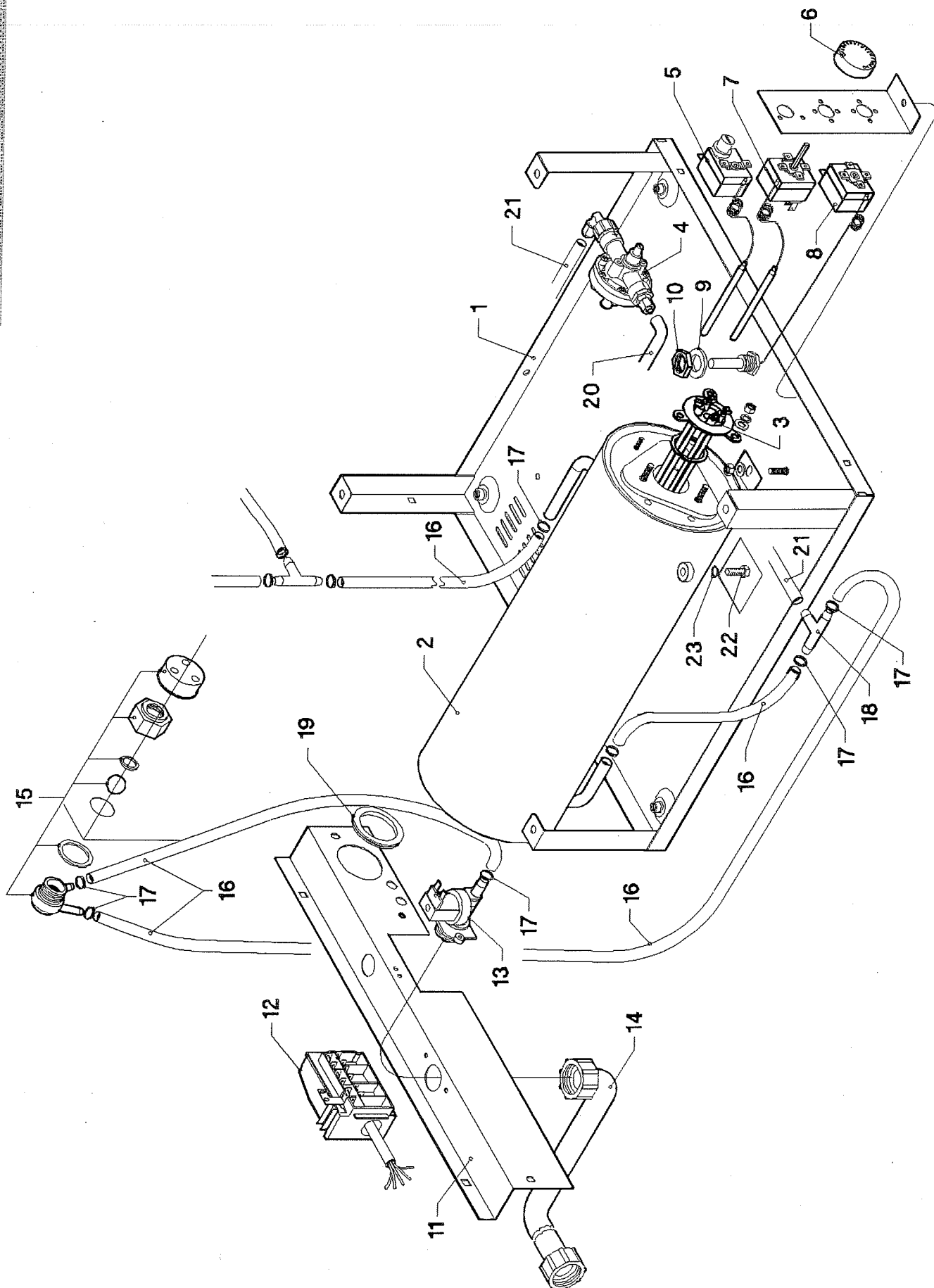


N700 F

Pps.	COD.	Q.ta	DESCRIZIONE	DENOMINATION	DESCRIPTION	BEZEICHNUNG	DESCRIPCION
1	904492	1	BASAMENTO	SOCLE	BASE	UNTERSTRUKTUR	BASE
2	904491	1	VASCA	BASSIN	TANK	WANNE	BATEA
3	905184	1	PORTA	PORTE	DOOR	TÜR	PUERTA
4	903651	1	CUSTODIA CON MAGNETE	PROTECTION MAGNETO	COVER MAGNET	MAGNETSCHUTZ	ESTUCHE CON IMAN
5	906121	1	SCROCCETTO INDX	CLIQUET FERMETURE PORTE	DOOR CATCH	SCHNAPPVERSCHLUSS	PICAPORTE RESORTE
6	902023	1	DADO SCROCCETTO	ECROU DU CLIQUET	NUT LATCH	KLINKENMUTTER	TUERCA
7	903933	1	MANIGLIA PDRTA	MANILLE	HANDLE	KLINKE	MANILLA
8	901657	1	PROFILO MANIGLIA	LISTEAU MANILLE	HANDLETRIM	KLINKE PROFIL	PERFIL MANILLA
9	904990	4	PIEDINO REGOLABILE	PETIT PIED RÉGABLE	RUBBER LEG	EINSTELLBARESOCKEL	PIE REGULABLE
10	904795	2	PERNO PORTA	TOURILLON DE LA PORTE	DOOR PIN	TÜRSCHARNIERSTIFT	PERNO PUERTA
11	901245	2	CERNIERA	PATTE	DOOR SUPPORT	SCHARNIER	BISAGRA
12	908608	1	PANNELLO LATERALE DX	PANNEAU DROITE	RIGHT PANEL	RECHTE VERKLEIDUNG	PANEL DERECHO LATERAL
13	908607	1	PANNELLO LATERALE SX	PANNEAU GAUCHE	LEFT PANEL	LINKE VERKLEIDUNG	PANEL IZQUIERDO LATERAL
14	908616	1	PANNELLO POSTERIORE	PANNEAU POSTERIEUR	BACK PANEL	HINTERE VERKLEIDUNG	PANEL POSTERIOR
15	902040	2	DADO ATB M6	ECROU	NUT	MUTTER	TUERCA
16	908612	1	PANNELLO SUPERIORE	PANNEAU SUPERIEUR	UPPER SIDE PANEL	OBERE VERKLEIDUNG	PANEL SUPERIOR
17	908614	1	PANNELLO INFERIORE CIECO	PANNEAU INFÉRIEUR	LOWER PANEL	UNTERE VERKLEIDUNG	PANEL INFERIOR
18	907240	2	TIRANTE PORTA	TIRANT DU PORTE	DOOR SCREW STAY	TÜRZUGSTANGE	VARILLA PUERTA
19	904952	2	PIASTRINA	PLAQUETTE	PLATE	PLATTEKEN	PLACA
20	905424	2	PERNO PORTA	FERMETURE PORTE	DOOR SUPPORT	TÜR HALTERUNG	TOPE PUERTA

TAV. 2

ED. 09/2003

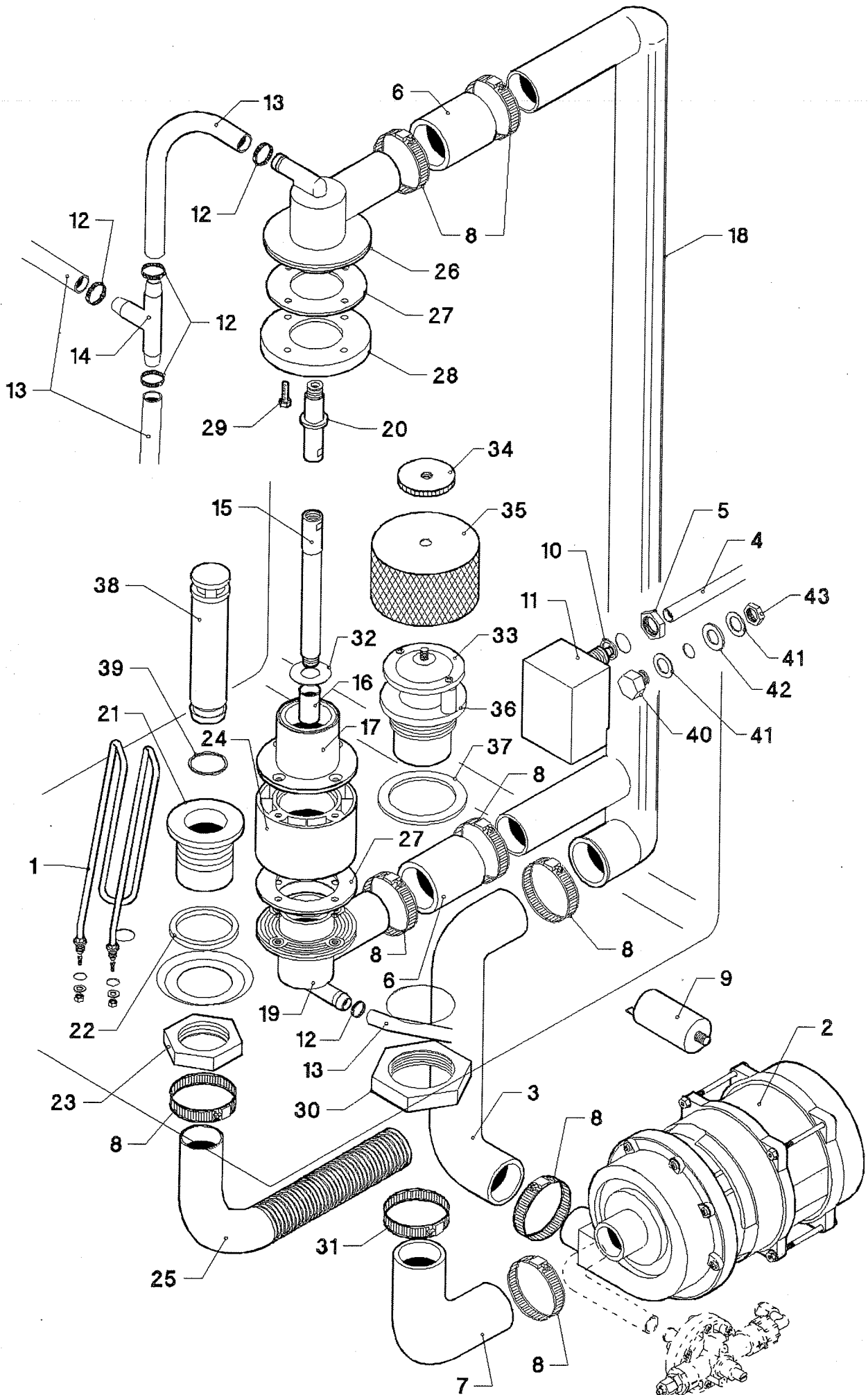


N700 F

Pos.	COD.	Q.tà	DESCRIZIONE	DENOMINATION	DESCRIPTION	BEZEICHNUNG	DESCRIPCION
1	904492	1	BASAMENTO	SOCLE	BASE	UNTERSTRUKTUR	BASE
2	900353	1	BOILER	CHAUFFE EAU	BOILER	HEISSWASSERSPEICHER	BOILER
3	905569	1	RESISTENZA 3500W. + OR	RESISTANCE + OR	HEATING ELEMENT + OR	HEIZKÖRPER + OR	RESISTENCIA + OR
4	902018	1	DOSATORE	DOSEUR	DOSING DEVICE	DOSIERSATZ	DOSIFICADOR
5	907125	1	TERMOSTATO DI SICUREZZA	THERMOSTAT	THERMOSTAT	THERMOSTAT	TERMOSTATO DE SEGURIDAD
6	903982	1	MANGOLA	BOUTON	KNOB	KNOPF	EMPUNADURA
7	TR0440	1	TERMOSTATO 0°-90°	THERMOSTAT	THERMOSTAT	THERMOSTAT	TERMOSTATO
8	907124	1	TERMOSTATO VASCA	THERMOSTAT DU PANIER	TANK THERMOSTAT	WANNER THERMOSTAT	TERMOSTATO DE PILETA
9	904991	1	GUARNIZIONE 3/8"	JOINT	GASKET	DICHTUNG	GUARNICION
10	902104	1	GHIERA 3/8" GAS	VIROLE	LOCK NUT	NUT MUTTER	ABRAZADERA
11	903434	1	SUPPORTO ELETTROVALVOLA	PALIER SOUPAPE ELECTRIQUE	BEARING ELECTRIC VALVE	TRÄGE ELEKTROVENTIL	SUPPORTO VALVOLA ELETTRICA
12	901256	1	MORSETTIERA + CAVO MONOFASE	BORNES + CÂBLE MONOPH.	TERMINAL BOARD+CABLE MONOPH.	KLEINLEISTE+KABEL MONOPH.	BORNES+CABLE MONOPH.
13	901255	1	MORSETTIERA + CAVO TRIFASE	BORNES + CÂBLE TRIPHASE	TERMINAL BOARD+CABLE THREE-PHASE	KLEINLEISTE+KABEL DREIPHASEN	BORNES+CABLE TRIFASICO
14	902390	1	ELETTROVALVOLA A 1 VIA	SOUPAPE ELECTRIQUE	ELECTRIC VALVE	ELEKTROVENTIL	VALVOLA ELETTRICA
15	907344	1	TUBO DICARICO	TUYAU D'ENTRÉE DE L'EAU	INLET PIPE	WASSERZUFÜHRROHR	TUBO
16	TR2433	1	VALVOLA ANTIRIFLUSSO	VALVE	VALVE	VENTIL	VALVOLA
17	907295	4	TUBO GOMMA 12 x 19,5	TUYAU EN CAOUTCHOUC	RUBBER HOSE	GUMMISCHLAUCH	TUBO GOMMA
18	902440	6	FASCETTA 13x20	COLLIER	CLAMP	SCHELLE	ABRAZADERA
19	905408	1	RACCORDO A "T" FILETTATO	RACCORD FILETÉ	THREADED JOINT	VERLEGETER ANSCHLUSS	ENLACE ROSCADA
20	904721	1	PASSACAVO	CHAUMARD	FAIR LEAD	KABELDURCHGANG	ASILADOR
21	907270	1	TUBO BRILLANTANTE	TUYAU	PIPE	LAUCH	TUBO ABRILLANTADOR
22	907260	1	TUBO ASP. BRILLANTANTE 4X6	TUYAU	PIPE	LAUCH	TUBO DE ASPIRACION ABRILL.
23	907820	1	VITE	VIS	SCREW	SCHRAUBE	TORNILLO
24	904430	1	O-RING TAPPO BOILER	O-RING BOUCHON	O-RING PLUS	O-RING FROPFEN	O-RING TAPON

TAV. 3

ED. 09/2003



N700 F

Pps.	COD.	Q.tà	DESCRIZIONE	DENOMINATION	DESCRIPTION	BEZEICHNUNG	DESCRIPCION
1	905745	1	RESISTENZA 2500W	RESISTANCE	HEATING ELEMENT	HEIZKÖRPER	RESISTENCIA
2	902262	1	POMPA HP 0,75	POMPE	PUMP	PUMPE	BOMBA
3	903876	1	MANICOTTO MANDATA	MANCHON DE REFAULEM.	OUTLET ELBOW	AUSLAMUFFE	PALANCA DE MANDO
4	907279	1	TUBO PRESSOSTATO	TUYAU PRESSOSTAT	PRESSURE SWITCH PIPE	SCHLAUCH	TUBO PRESSOSTATO
5	902100	1	GHIERA 3/8" GAS	VIROLE	LOCK NUT	NUT MUTTER	ABRAZADERA
6	903756	2	TUBO GIUNZIONE	TUYAU	PIPE	SCHLAUCH	TUBO
7	903875	1	MANICOTTO ASPIRAZIONE	MANCHON D'ASPIRATION	INLET ELBOW	ANSAUGMUFFE	PALANCA DE ASPIRACION
8	902441	8	FASCETTA Ø 38-50	COLLIER	CLAMP	SHELLE	ABRAZADERA
9	901730	1	CONDENSATORE 10 µF	CONDENSATEUR	CONDENSER	KONDENSATOR	CONDENSADOR
10	903260	1	GUARNIZIONE	JOINT	GASKET	DICHTUNG	GUARNICION
11	907252	1	TRAPPOLA ARIA	RESERVOIR AIR	AIR TRAP	LUFTFALLE	TRAMPA DEL AIRE
12	902440	5	FASCETTA Ø 13-20	COLLIER	CLAMP	SHELLE	ABRAZADERA
13	907295	4	TUBO GOMMA 12 x 19,5	TUYAU EN CAOUTCHOUC	RUBBER HOSE	GUMMISCHLAUCH	TUBO GOMA
14	905382	1	RACCORDO A T*	RACCORD	PIPE FITTING	ANSCHLUSS	ENLACE
15	908705	1	PERNO RISCIAQUO INFERIORE	TOURILLON DE RINGAGE INFER.	INFERIOR RINSE PIN	UNTERSPELLSTIFT	PERNO ENJUAGUE INFERIOR
16	935076	1	BOCCOLA RIDUZIONE	REDUCTION	REDUCTION BUSH	VERKLEINERUNG	REDUCCION
17	905388	1	RACCORDO INFER. LAVAGGIO	RACCORD DE LAVAGE INFER.	WASHING INFER. PIPE FITTING	UNTERANSCHLUSS WASCHEN	EMPALME INFER. DE LAVADO
18	908701	1	TUBO MANDATA SUPERIORE	TUYAU DE REFOUL. SUPERIEUR	UPPER OUTLET PIPE	OBERAUSLASSROHR	TUBO DE MANDO SUPERIOR
19	905449	1	MOZZO LAVAGGIO/RISCIAQUO	MOYEU DE LAVAGE/RINGAGE	WASHING/RINSE HUB	SPÜLUNG/MASCHSPÜLUNG NABE	BUJE DE LAVADO/ENJUAGUE
20	904799	1	PERNO RISCIAQUO	TOURILLON DE RINGAGE	RINSE PIN	SPÜLLSTIFT	PERNO ENJUAGUE
21	906464	1	RACCORDO SCARICO 1 1/4	RACCORD DÉCHARGE	PIPE FITTING FOR OUTLET	ABLAUFANSCHLUSS	EMPALME DESAGOTE
22	904380	1	O-RING	O-RING	O-RING	O-RING	O-RING
23	902080	1	GHIERA 1" 1/4	VIROLE	LOCK-NUT	NUT MUTTER	ABRAZADERA
24	908702	1	DISTANZIALE	ENTRETOISE	SPACER	ENTFERNUNGSSTÜCK	DISTANCIADOR
25	907450	1	TUBO DI SCARICO	TUYAU DE DÉCHARGE	OUTLET HOSE	ABLAUFSCHLAUCH	TUBO DESAGOTE
26	905456	1	MOZZO SUPERIORE DX	MOYEU SUPERIEUR DX	UPPER HUB DX	OBERNABE DX	BUJE SUPERIOR DX
27	908141	2	GUARNIZIONE	JOINT	GASKET	DICHTUNG	GUARNICION
28	902184	1	FLANGIA	FLASQUE	FLANGE	FLANSCH	SOPORTE
29	907871	4	VITE M6X10	VIS	SCREW	SCHRAUBE	TORNILLO
30	902090	1	GHIERA 1" 1/4	VIROLE	LOCK-NUT	NUT MUTTER	ABRAZADERA
31	902480	1	FASCETTA Ø 44-56	COLLIER	CLAMP	SHELLE	ABRAZADERA
32	906003	1	RONDELLA	RONDELLE	WASHER	UNTERLEGSCHIBE	ARANDELA
33	900007	1	COPECHID RACCORDO ASP.	COUVERCLE RACCORD D'ASP.	INTAKE PIPE FITTING COVER	ANSAUGANSCHLUSSE DECKEL	TAPA EMPALME DE ASPIR.
34	902850	1	GHIERA	VIROLE	LOCK-NUT	NUT MUTTER	ABRAZADERA

N700 F

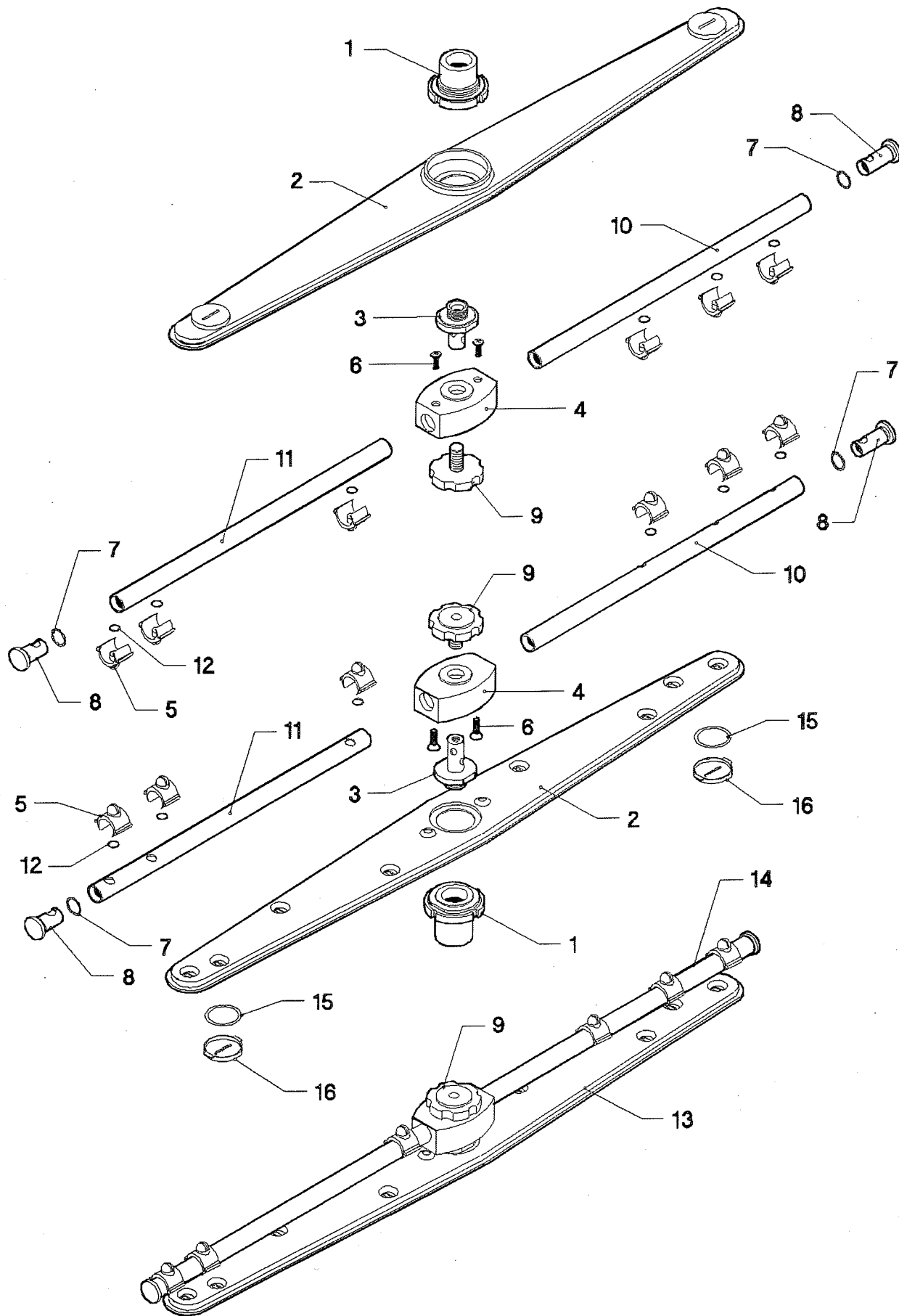
ED. 09/2003

TAV. 3

Pos.	COD.	Q.tà	DESCRIZIONE	DENOMINATION	DESCRIPTION	BEZEICHNUNG	DESCRIPCIÓN
35	902590	1	FILTRO	FILTRE	FILTER	FILTER	FILTRO
36	905390	1	RACCORDO ASPIRAZIONE	RACCORD D'ASPIRATION	INTAKE PIPE FITTING	ANSAUGANSCHLUSSE	EMPALME DE ASPIRACION
37	903320	1	GUARNIZIONE	JOINT	GASKET	DICHTUNG	GUARNICION
38	907301	1	TROPPO PIENO	NIVEAU	OVER FLOW	VEBERLAUF	DAMISADO LLEND
39	904404	1	O-RING	O-RING	O-RING	O-RING	O-RING
40	904876	1	VITE T.E. M10X15	VIS	SCREW	SCHRAUBE	TORNILLO
41	906055	2	RONDELLA	RONDELLE	WASHER	UNTERLEGSCHLEIBE	ARANDELA
42	903403	1	GUARNIZIONE	JOINT	GASKET	DICHTUNG	GUARNICION
43	902025	1	DADO M10	ECROU	NUT	MUTTER	TUERCA

TAV. 4

ED. 09/2003



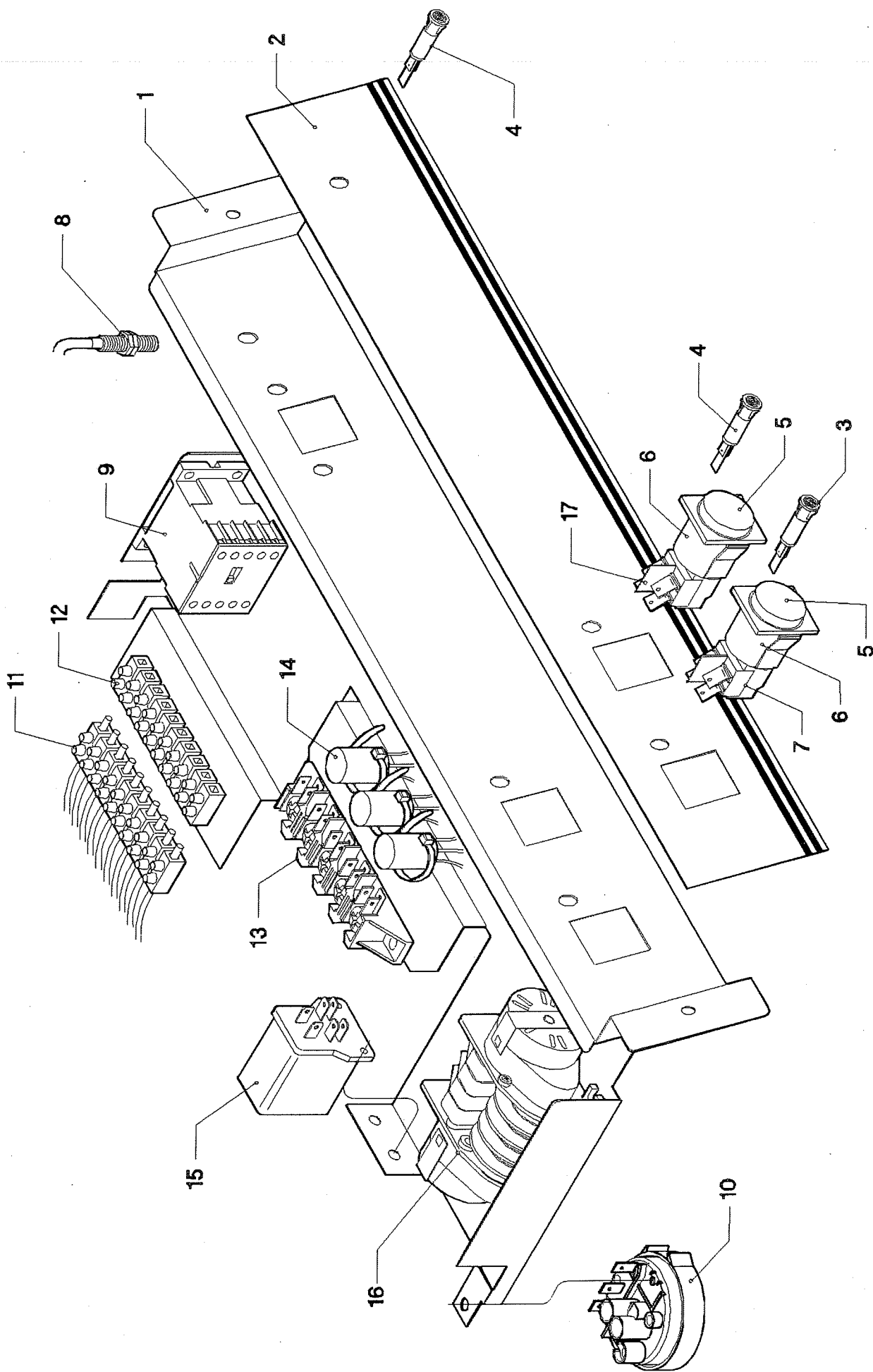
N700 F

Pos.	COD.	Q.tà	DESCRIZIONE	DENOMINATION	DESCRIPTION	BEZEICHNUNG	DESCRIZIÓN
1	904277	2	MOZZO + GHIERA	MO YEU + VIROLE	HUB + RING-NUT	MABE + KLEMMMUTTER	BUJE + ABRAZADERA
2	902908	2	GIRANTE LAVAGGIO	BRAS DE LAVAGE	WASH ARM	SPÜLLARM	RODETE LAVADO
3	904760	2	PERNO GIRANTE RISC.	TOURILLON DE RINÇAGE	R INSE PIN	SPÜLLSTIFT	PERNO RODETE ENJUAGUE
4	904292	2	MOZZO GIRANTE RISC.	MO YEU	HUB	MABE	BUJE RODETE ENJUAGUE
5	902816	12	GETTO RISCIAQUO	JET DE RINÇAGE	RINSING JET	SPÜLDUSE	CHORRO ENJUAGUE
6	907651	4	VITE TPS M 4x8	VIS	SCREW	SCHRAUBE	TORNILLO
7	904321	4	O-RING	O-RING	O-RING	O-RING	O-RING
8	906450	4	TAPPO PER BRACCIO RISC.	BOUCHON BRAS DE RINÇAGE	PLUG FOR RINSE ARM	VERSCHLUSS SPÜLLAUF	TAPON PARA BRAZO ENJUAGUE
9	902880	2	GHIERA BLOCCAGGIO	FRETTE DE BLOCCAGE	RING-NUT	KLEMMMUTTER	ABRAZADERA BLOQUEO
10	954806	2	BRACCIO RISCIAQUO DX	BRAS DE RINÇAGE DROITE	RIGHT RINSE ARM	RECHTE SPÜLLAUFRAD	BRAZO ENJUAGUE DERECHO
11	954807	2	BRACCIO RISCIAQUO SX	BRAS DE RINÇAGE GAUCHE	LEFT RINSE ARM	LINKE SPÜLLAUFRAD	BRAZO ENJUAGUE IZQUIERDO
12	904388	12	O-RING	O-RING	O-RING	O-RING	O-RING
13	903107	2	GIRANTE LAVAGGIO COMPL.	BRAS DE LAVAGE COMPL.	COMPL. WASH ARM	SPÜLLARM KOMPL.	RODETE LAVADO COMPL.
14	903017	2	GIRANTE RISCIAQUO COMPL.	BRAS DE RINÇAGE COMPL.	COMPL. RINSE ARM	SPÜLLSTIFT KOMPL.	RODETE ENJUAGUE COMPL.
15	906445	4	TAPPO ISPEZIONE	BOUCHON	PLUG	FROPFEN	TAPON
16	904324	4	O-RING TAPPO ISPEZIONE	O-RING	O-RING	O-RING	O-RING

TAV. 5

ED. 09/2003

N700 F



Pos.	COD.	Q.tà	DESCRIZIONE	DENOMINATION	DESCRIPTION	BEZEICHNUNG	DESCRIPCIÓN
1	904677	1	PANNELLO COMANDI	TABLEAU COMMANDE	ELECTRIC PANEL	SCHALTTAFEL	PANEL DE COMANDO
2	907088	1	TARGA	PLAQUETTE	PLATE	SCHILD	PLACA
3	903632	1	SPA LINEA	LAMPE DE LIGNE	LINE LAMP	KONTROLLAMPE	LUZ LINEA
4	903629	2	LAMPADA	LAMPE	LAMP	KONTROLLAMPE	LAMPARA
5	905305	2	TASTO TONDO	BOUTON	KEY	TASTE	TECLA
6	905307	2	SUPPORTO TASTO	SUPPORT BOUTON	SUPPORT KEY	TASTEHALTER	SOPORTE TECLA
7	905318	1	INTERRUTTORE ON/OFF	INTERRUPTEUR	SWITCH	DRUCKKNOPF	INTERRUPTOR
8	TR0309	1	REED MAGNETICO	REED	REED	REED	REED MAGNETICO
9	907095	1	TELERUTTORE	TELERUPTEUR	CONTACTOR	SCHUTZ	TELERRUPTOR
10	905270	1	PRESSOSTATO	PRESSOSTAT	PRESSURE SWITCH	DRUCHWAECHTE	PRESSOSTATO
11	904200	1	MORSETTIERA 10 P.M.	BORNES	TERMINAL BOARD	KLEMMLEISTE	TABLEROS DE BORNES
12	904170	1	MORSETTIERA 10 P.F.	BORNES	TERMINAL BOARD	KLEMMLEISTE	TABLEROS DE BORNES
13	904150	1	MORSETTIERA	BORNES	TERMINAL BOARD	KLEMMLEISTE	TABLEROS DE BORNES
14	902105	3	FILTRIANTI DISTURBO	FILTRE ANTIDERANGEMENT	NOISE FILTER	ENTSTORFILTER	FILTROS DE RUIDOSIDAD
15	905476	1	RELE	RELAIS	RELAY	RELAIS	RELE
16	907172	1	TIMER CICLO 120"	TYMIE CYCLE 120"	CYCLE TYMIE 120"	ZYCLUSZEITUHR 120"	TYMIE CICLO 120"
	907180	1	TIMER CICLO 180"	TYMIE CYCLE 180"	CYCLE TYMIE 180"	ZYCLUSZEITUHR 180"	TYMIE CICLO 180"
17	905312	1	PULSANTE CICLO	BOUTON CYCLE	CYCLE PUSH-BUTTON	DRUCKKNOPF 'ZYCLUS'	INTERRUPTOR CICLO