



# VM 500

## LIST OF THE EXPLODED VIEWS

From s/n. 297566 up Today

From s/n.141196 till s/n. 297565



SHELL ASSY

COOLING SYSTEM

HYDRAULIC CIRCUIT

SPRAYER PUMP

ELECTRIC PARTS



SHELL ASSY

COOLING SYSTEM

HYDRAULIC CIRCUIT

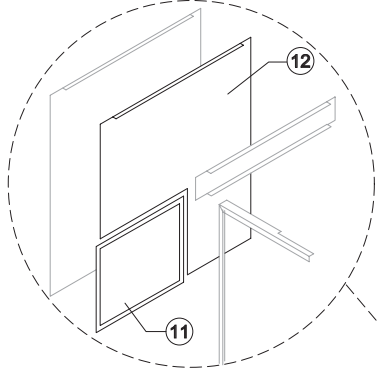
SPRAYER PUMP

ELECTRIC PARTS

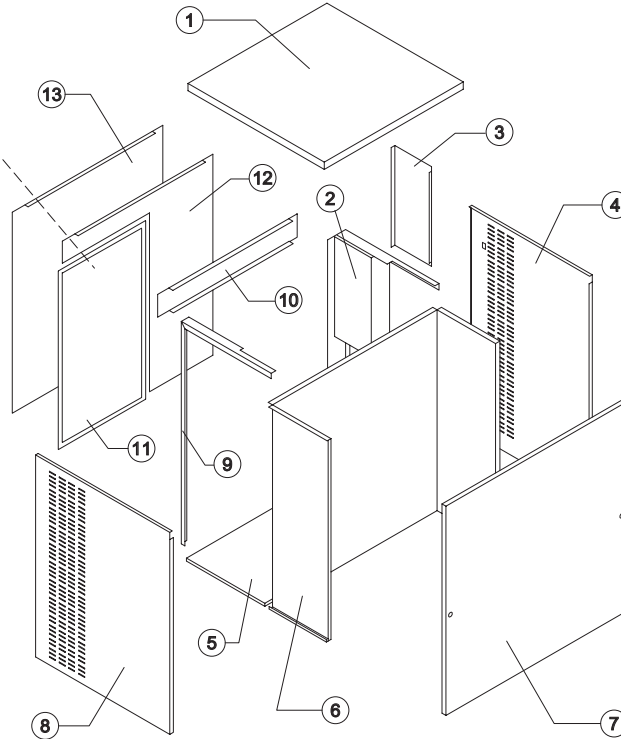
Rev. 6 - 17/04/2009



OLD



NEW



### Common Parts

Ref.	Spare Description	Code
1	Top Assembly	C22813
2	Right Angle Bar	22814
3	Electrical Box Cover	21323
4	Right Side Panel	22408
5	Base Plate	22812
6	Evaporator Chamber	22819
7	Front Panel Assembly	C22816B
8	Left Side Panel	22822
9	Left Angle Bar	22820
10	Rear Cross Bar	22817

### Parts for Air-Cooled Version Only

Ref.	Spare Description	Code
11	Filter	See Table -
12	Rear Panel	See Table -

### Parts for Water-Cooled Version Only

Ref.	Spare Description	Code
13	Rear Panel	21285

### Ref. 11 - Filter

Version	Code
NEW	18178
OLD	18163

### Ref. 12 - Rear Panel

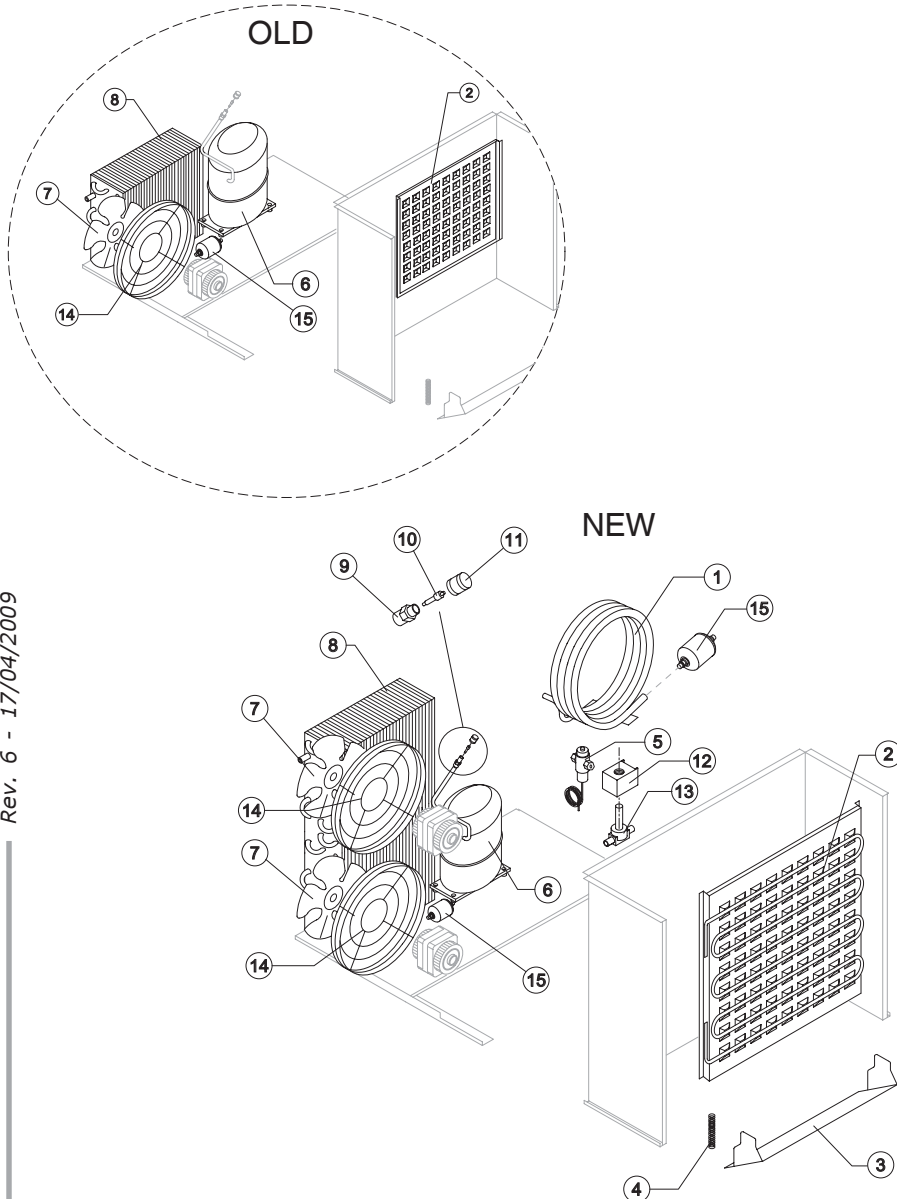
Version	Code
NEW	21324
OLD	21286



# VM 500

From s/n. 297566 up Today

# COOLING SYSTEM



### Common Parts

Ref.	Spare Description	Code
2	Evaporator	See Table
3	Horizontally Hinged Panel	22608
4	Spring	20464
6	Compressor	See Table
9	Vacuum-Charge Valve Body	14007
10	Vacuum-Charge Valve Device	14005
11	Vacuum-Charge Valve Plug	14006
12	Hot Gas Valve Coil	See Table
13	Hot Gas Valve Body	20409
15	Liquid Line Drier	14084

### Parts for Air-Cooled Version Only

Ref.	Spare Description	Code
7	Sucking Fan	See Table
8	Air Condenser	See Table

### Parts for Water-Cooled Version Only

Ref.	Spare Description	Code
1	Water Condenser	14081
5	Pressostatic Valve	20210

### Ref. 1 - Evaporator

Version	Code
NEW	D10228
OLD	D10227

### Ref. 6 - Compressor

Tension	NEW	OLD
T11	23840	23543
T12	23897	23642
T18	23642	23642

### Ref. 7 - Sucking Fan

Version	Code
NEW	20153
OLD	20407

### Ref. 8 - Air Condenser

Version	Code
NEW	20406
OLD	20670

### Ref. 12 - Hot Gas Valve Coil

Tension	Code
T11	23091
T12	23091
T18	23843

Rev. 6 - 17/04/2009

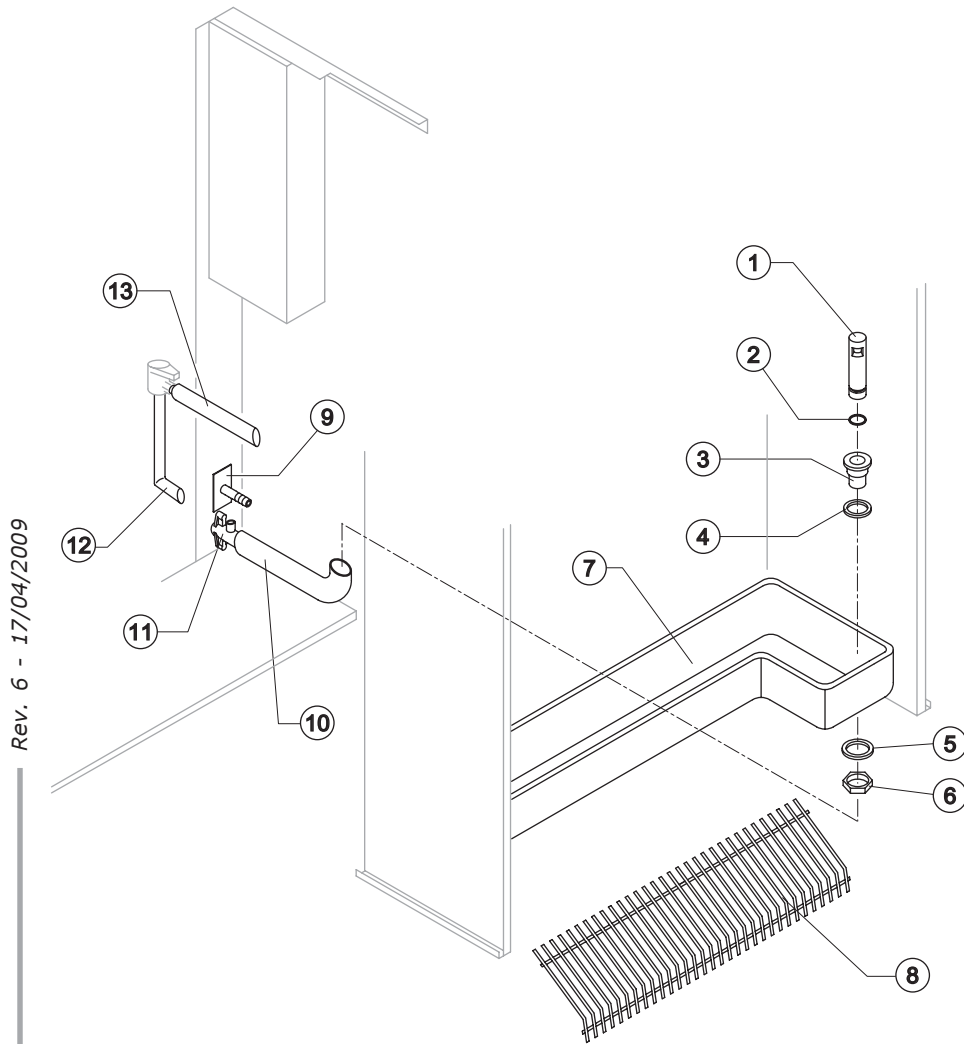


### Common Parts

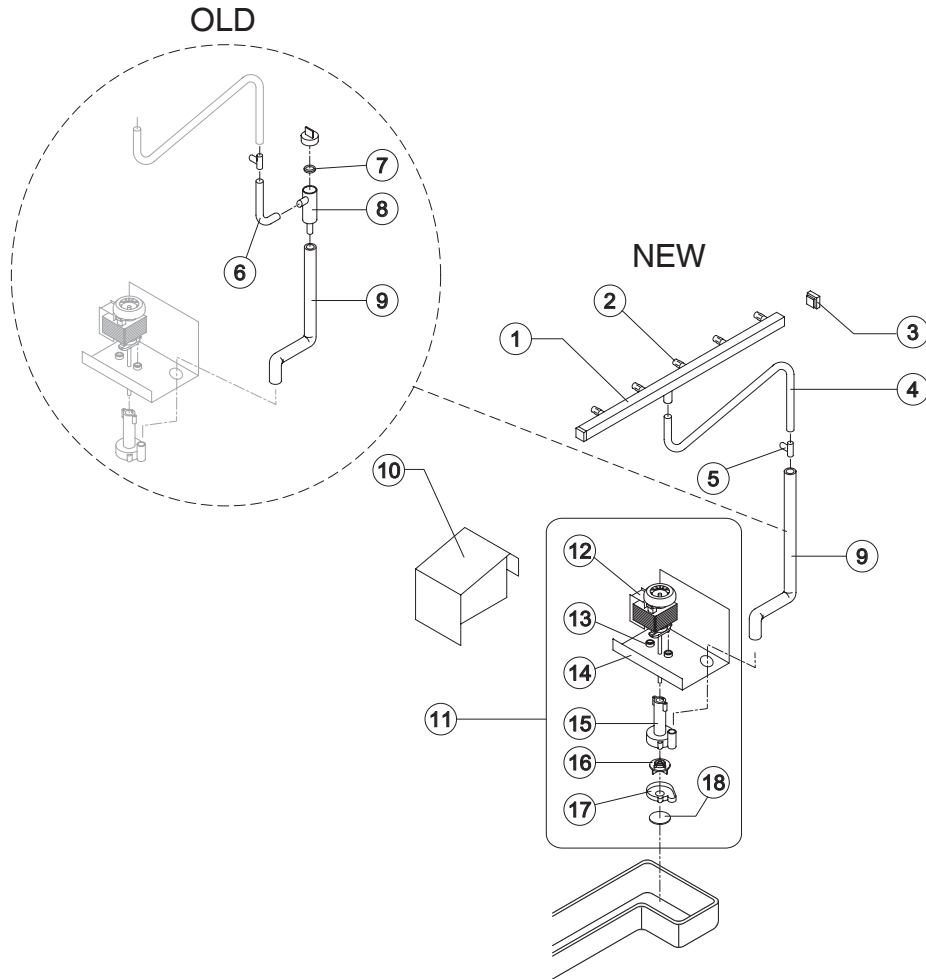
Ref.	Spare Description	Code
1	Overflow Pipe	10133
2	OR Gasket for Overflow Pipe	20233
3	Overflow Pipe Nipple	10471
4	Silicone Gasket	13006
5	Semirigid Polyethylene Gasket	13007
6	Bin Discharge Nut	10096
7	Water Basin	10395
8	Ice Cubes Slide	D12057
10	Overflow Pipe Nipple	13120
11	Drain Nipple	10431
12	Discharge Valve Connection Pipe - Discharge	13040
13	Discharge Valve Connection Pipe ("T" Shaped)	13102

### Parts for Water-Cooled Version Only

Ref.	Spare Description	Code
9	Connection with Plate	C20462



Rev. 6 - 17/04/2009



Ref.	Spare Description	Code
1	Sprayers Bar Assembly	C20465
2	Sprayer	D20002
3	Sprayers Bar Plug	10012
4	Sprinkler Bar Connecting Pipe ("T" Shaped)	13134
5	Plastic "T" ø 20	10082
6	Sprayers Feeding Pipe	13005
7	Pump Filter Gasket	13080
8	Pump Filter	10139
9	"T" - Pump Connection Pipe	See Table
10	Protection Pump Panel	22804
11	Pump Assembly	See Table
12	Pump	See Table
13	Pump Motor Shim	20510
14	Pump Motor Support	22799
15	Pump Body	10065
16	Pump Impeller	See Table
17	Diffusor	10067
18	Pump Filter	20518

### Ref. 9 - "T" - Pump Connection Pipe

Version	Code
NEW	13113
OLD	13157

### Ref. 11 - Pump Assy

Tension	Code
T11	C23624
T12	C23616
T18	C23616

### Ref. 12 - Pump

Tension	Code
T11	23073
T12	23187
T18	23187

### Ref. 16 - Pump Impeller

Tension	Code
T11	10066
T12	10138
T18	10138

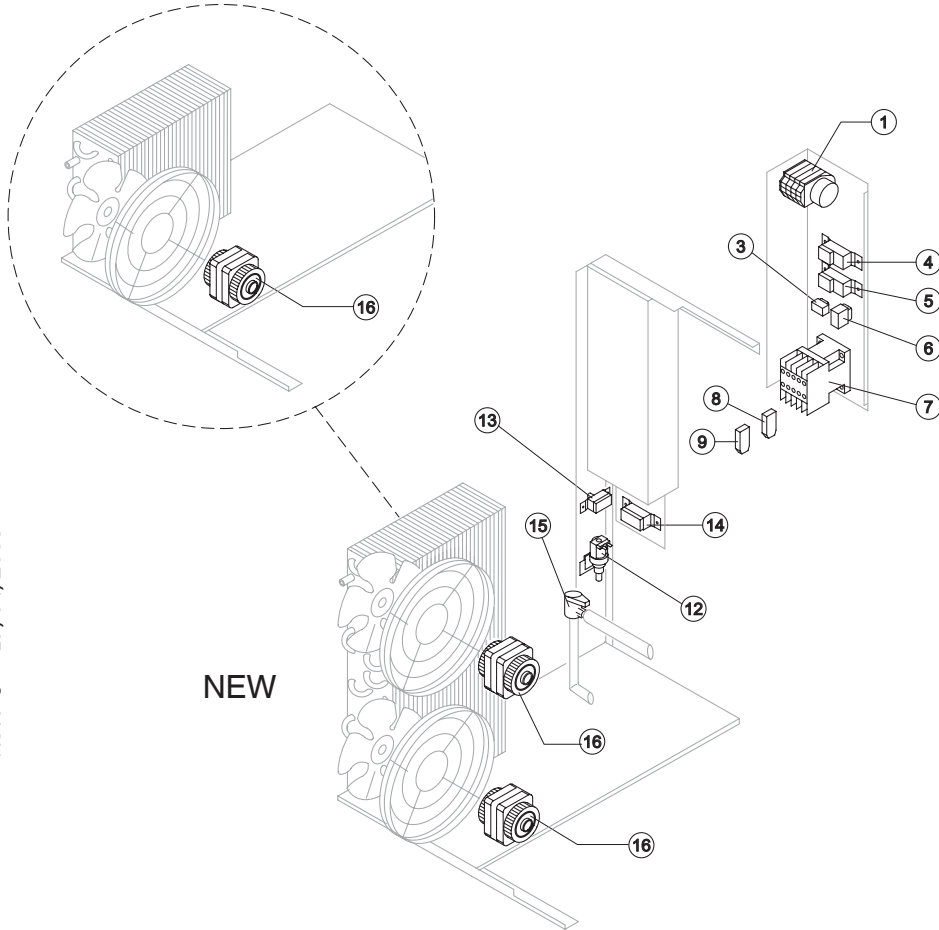


# VM 500

From s/n. 297566 up Today

## ELECTRIC PARTS

OLD



NEW

### Common Parts

Ref.	Spare Description	Code
1	Timer	See Table
3	"Cleaning" Switch	23619
4	Bin Thermostat	R23005
5	Evaporator Thermostat	R23597
6	Green Light Switch (On-Off)	23327
7	Contactor	23147
12	1 Way- Water Inlet Valve	23787
13	Safety Pressure Switch	23342
15	Water Outlet Valve	23537

### Parts for Air-Cooled Version Only

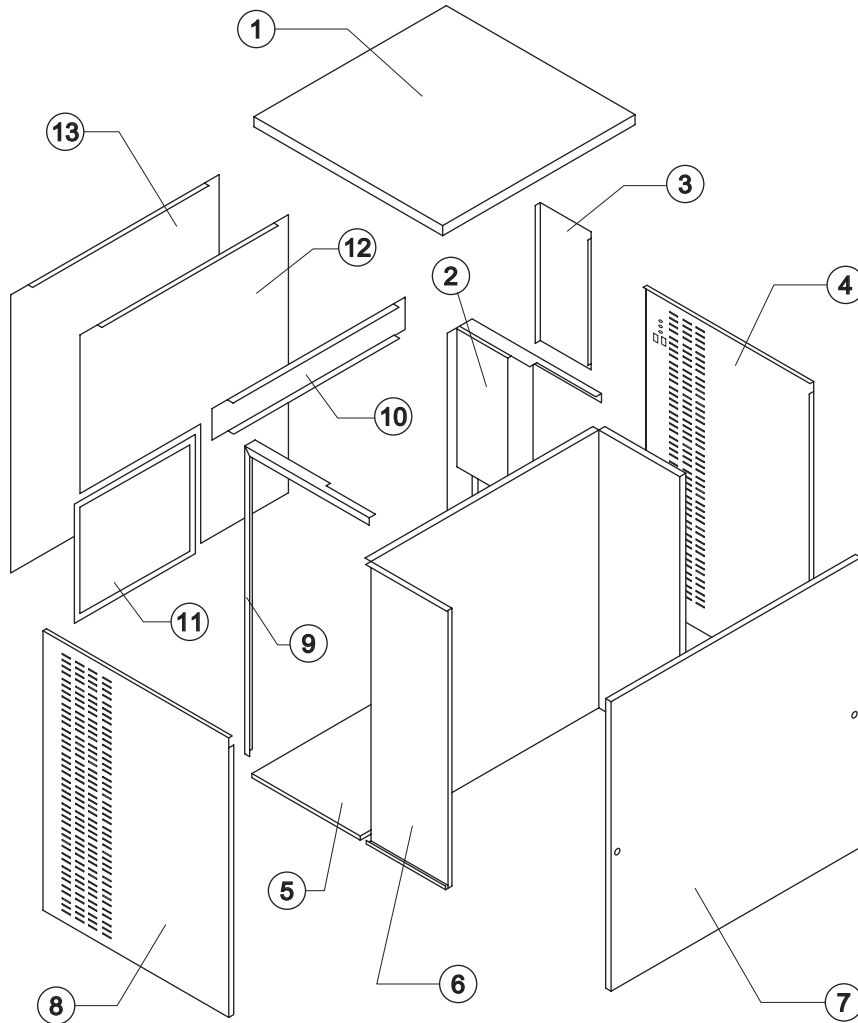
Ref.	Spare Description	Code
8	Anti Radio Interference Filter	Only T11 C23459
9	Anti Radio Interference Filter	Only T11 C23458
14	Condenser Pressure Switch	See Table -
16	Fan Motor	23121

### Ref. 1 - Timer

Tensione	Codice
T11	23635
T12	23632
T18	23632

### Ref. 14 - Cond. Pressure Switch

Tension	Code
T11	23175
T12	23175
T18	23680



Rev. 6 - 17/04/2009

### Common Parts

Ref.	Spare Description	Code
1	Top Assembly	C22813
2	Right Angle Bar	22814
3	Electrical Box Cover	21274
4	Right Side Panel	22821
5	Base Plate	22812
6	Evaporator Chamber	22819
7	Front Panel Assembly	C22816B
8	Left Side Panel	22822
9	Left Angle Bar	22820
10	Rear Cross Bar	22817

### Parts for Air-Cooled Version Only

Ref.	Spare Description	Code
11	Filter	18163
12	Rear Panel	21286

### Parts for Water-Cooled Version Only

Ref.	Spare Description	Code
13	Rear Panel	21285



### Common parts

Ref.	Spare Description	Code
2	Evaporator	D10227
3	Horizontally Hinged Panel	22608
4	Spring	20464
6	Compressor	See Table
9	Vacuum-Charge Valve Body	14007
10	Vacuum-Charge Valve Device	14005
11	Vacuum-Charge Valve Plug	14006
12	Hot Gas Valve Coil	See Table

10066

T12	10138
T18	10138

### Parts for Air-Cooled Version Only

Ref.	Spare Description	Code
7	Sucking Fan T11 C23624	20407
8	Air Condenser T18 C23616	20670

### Parts for Water-Cooled Version Only

Ref.	Spare Description	Code
13	Hot Gas Valve Body	20409
1	Water Condenser	14081
5	Pressostatic Valve	20210

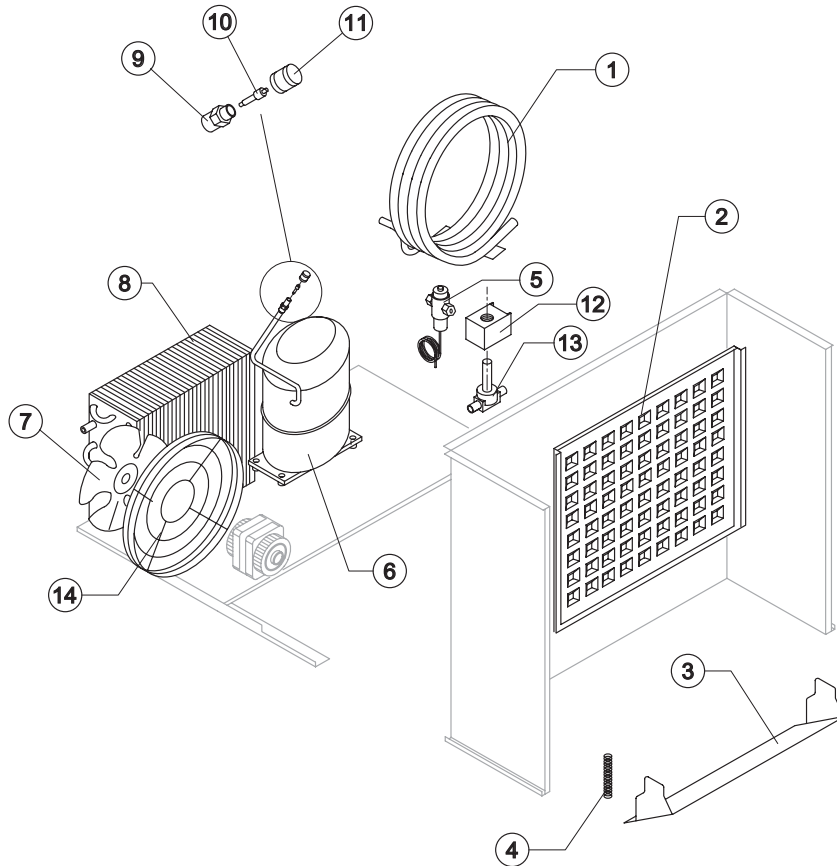
### Ref. 6 - Compressor

Tension	Code	Note
T11	23543	
T12	23642	Current Version
T12	23593	Till s/n. 189944
T18	23642	Current Version
T18	23593	Till s/n. 189944

### Rif. 12- Bobina Valv. Inv. Ciclo

Tensione	Codice
T11	23091
T12	23091
T18	23843

Rev. 6 - 17/04/2009





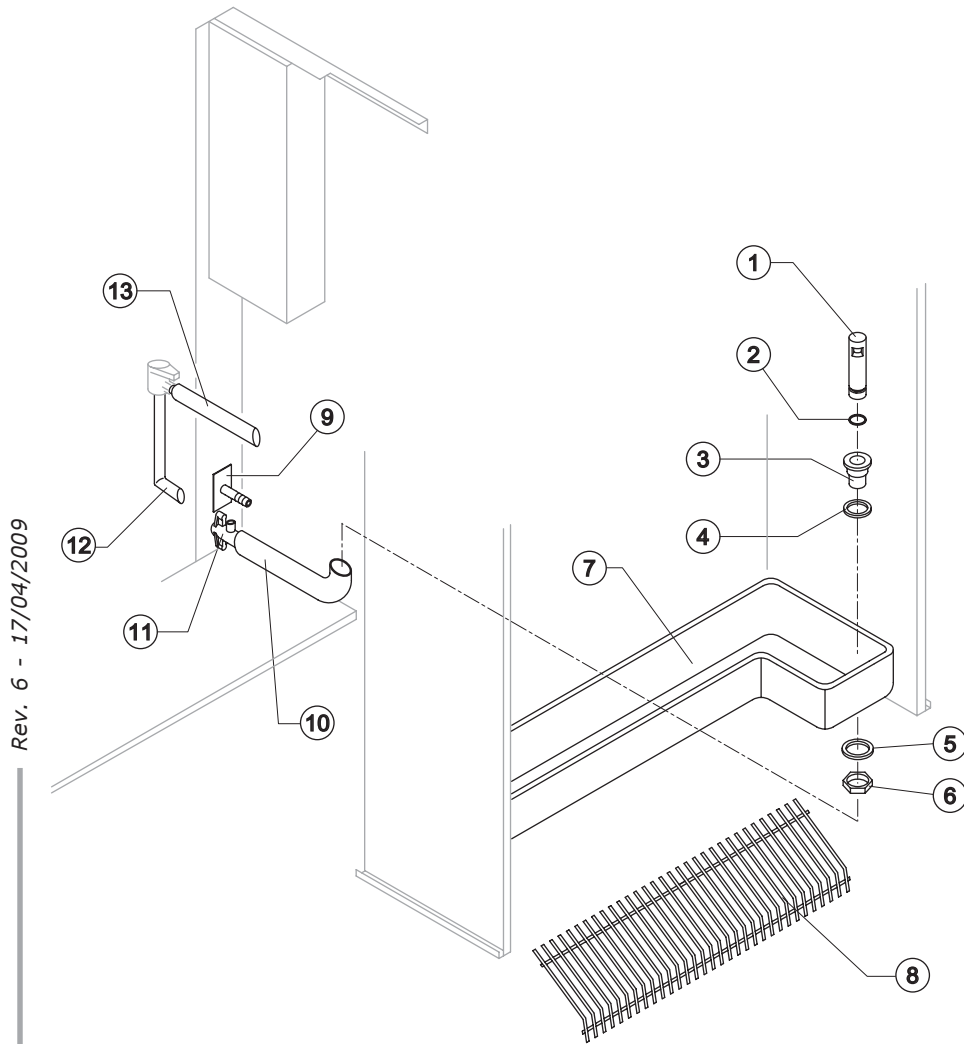


### Common parts

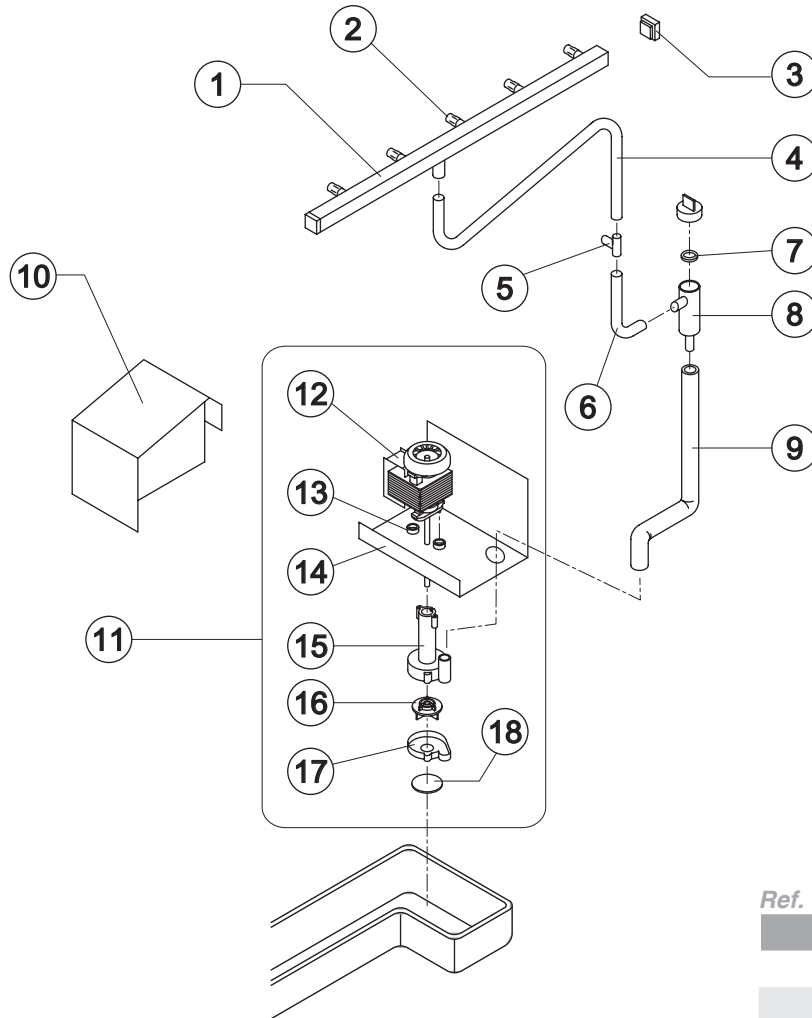
Ref.	Spare Description	Code
1	Overflow Pipe	10133
2	OR Gasket for Overflow Pipe	20233
3	Overflow Pipe Nipple	10241
4	Silicone Gasket	13006
5	Semirigid Polyethylene Gasket	13007
6	Bin Discharge Nut	10096
7	Water Basin	10395
8	Ice Cubes Slide	D12057
10	Overflow Pipe Nipple	13120
11	Drain Nipple	10431
12	Discharge Valve Connection Pipe - Discharge	13040
13	Discharge Valve Connection Pipe ("T" Shaped)	13102

### Parts for Water-Cooled Version Only

Ref.	Spare Description	Code
9	Connection with Plate	C20462



Rev. 6 - 17/04/2009



Ref.	Spare Description	Code	
1	Sprayers Bar Assembly	C20465	
2	Sprayer	D20002	
3	Sprayers Bar Plug	10012	
4	Sprinkler Bar Connecting Pipe ("T" Shaped)	13134	
5	Plastic "T" ø 20	10082	
6	Sprayers Feeding Pipe	13005	
7	Pump Filter Gasket	13080	
8	Pump Filter	10139	
9	"T" - Pump Connection Pipe	13157	
10	Protection Pump Panel	22804	
11	Pump Assembly	See Table	-
12	Pump	See Table	-
13	Thickness Pump Motor		20510
14	Pump Motor Support		22799
15	Pump Body		10065
16	Pump Impeller	See Table	-
17	Diffusor		10067
18	Pump Filter		20518

### Ref. 11 - Pump Assy

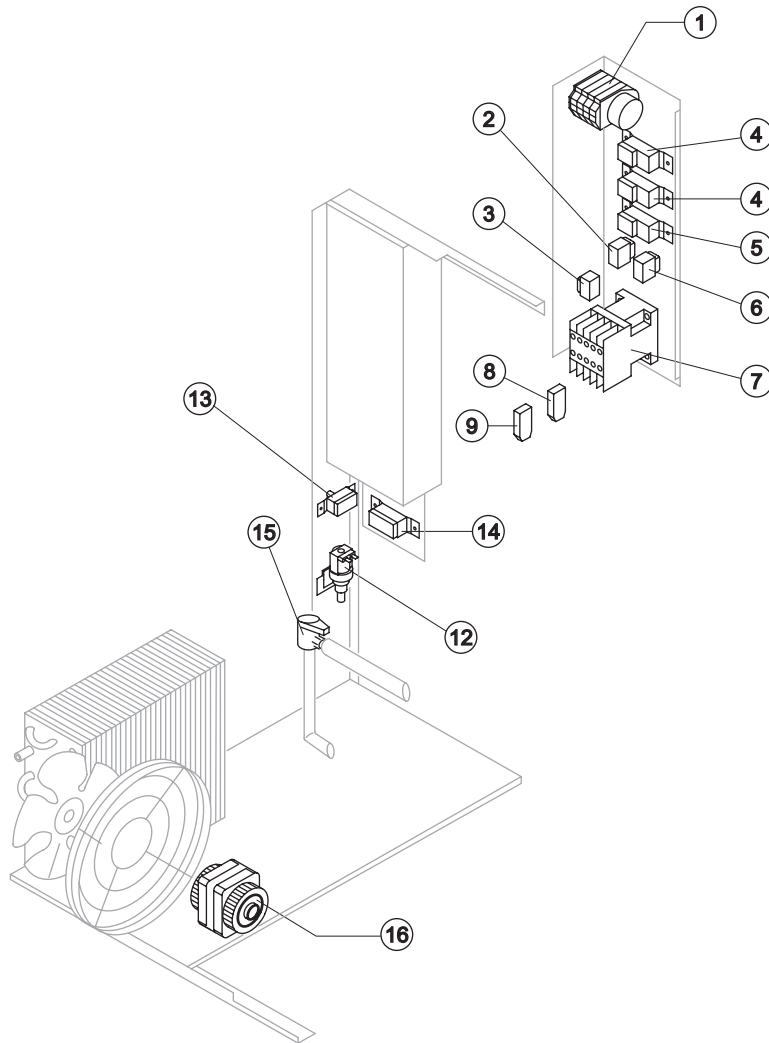
Tension	Code
T11	C23624
T12	C23616
T18	C23616

### Ref. 12 - Pump

Tension	Code
T11	23073
T12	23187
T18	23187

### Ref. 16 - Pump Impeller

Tension	Code
T11	10066
T12	10138
T18	10138



### Common parts

Ref.	Spare Description	Code
1	Timer	See Table
2	Light Switch "Economy-Full"	23611
3	"Cleaning" Switch	23619
4	Bin Thermostat	R23005
5	Evaporator Thermostat	R23597
6	Green Light Switch (On-Off)	23327
7	Contacteur	23147
12	1 Way- Water Inlet Valve	23787
13	Safety Pressure Switch	23342
15	Water Outlet Valve	23537

### Parts for Air-Cooled Version Only

Ref.	Spare Description	Code
8	Anti Radio Interference Filter	Only T11 C23459
9	Anti Radio Interference Filter	Only T11 C23458
14	Condenser Pressure Switch	See Table -
16	Fan Motor	23121

### Ref. 1 - Timer

Tension	Code
T11	23635
T12	23632
T18	23632

### Ref. 14 - Cond. Pressure Swicth

Tension	Code
T11	23175
T12	23175
T18	23680