



**CB 425**

# LIST OF THE EXPLODED VIEWS



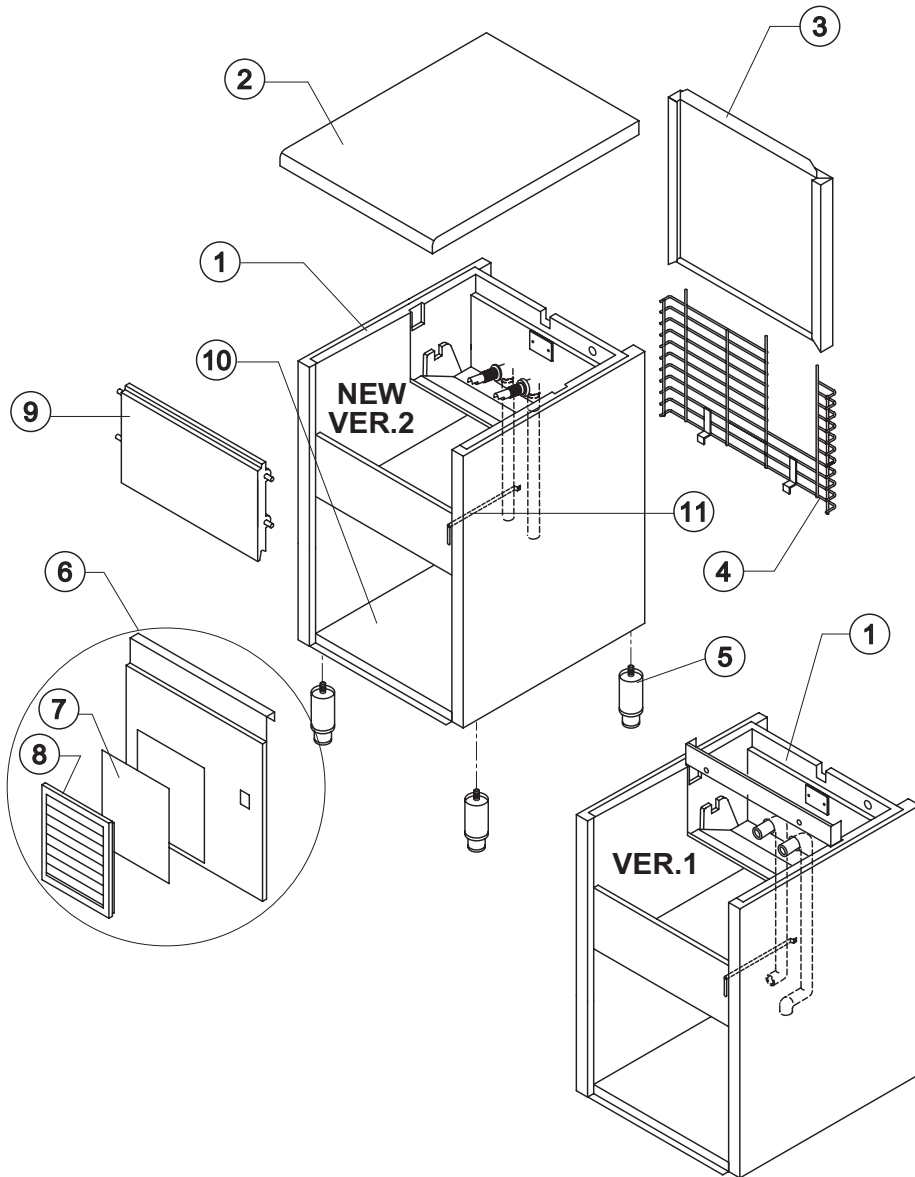
*SHELL ASSY*

*COOLING SYSTEM*

*HYDRAULIC CIRCUIT*

*ELECTRIC PARTS*

Rev. 6 - 03/08/2007



Rev. 6 - 03/08/2007

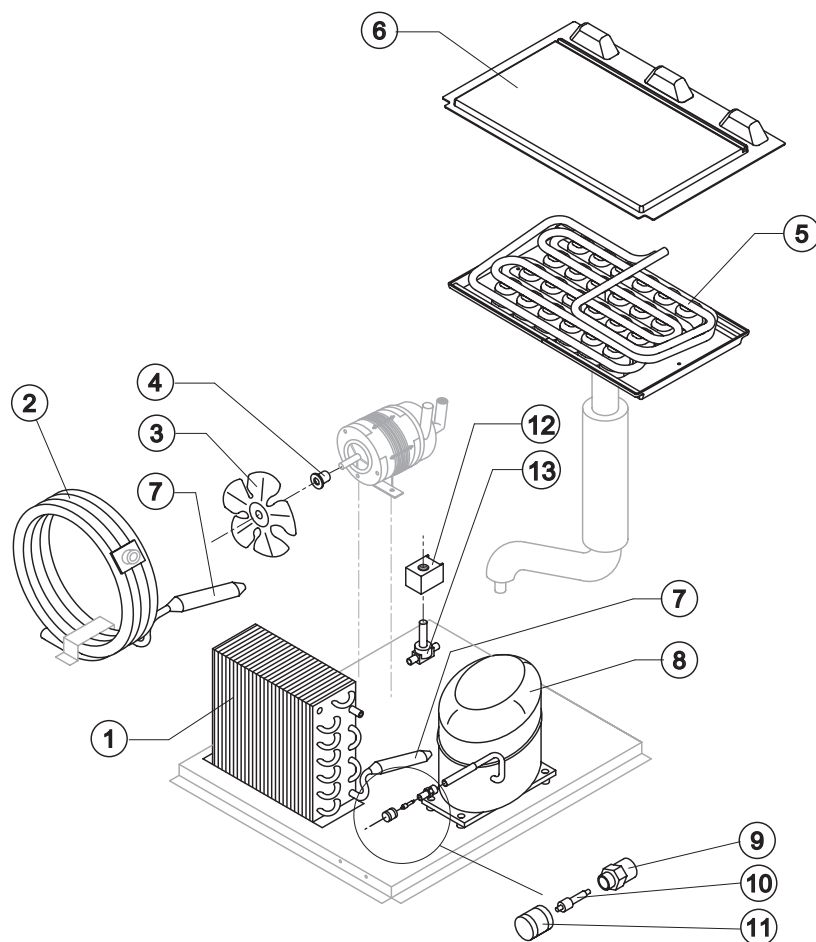
Ref.	Spare Description	Code
1	Foamed Cabinet Assy	See Table
2	Top Assembly	C22692
3	Rear Panel Assembly	C21183
4	Rear Grid	D12006
5	Adjustable Stainless Steel Foot	Current Version
5	ABS Foot	Till s/n. 141256
6	Front Grid Panel	Current Version
6	Front Panel	Till s/n. 28691
7	Filtering Panel	18106
8	Frame + Grid & Filter	C10205
9	Door Assy	C10297
10	Base Plate	Current Version
10	Base Plate	Till s/n. 141256
11	Bulb-holder Pipe	20522

Ref. 1 - Foamed Cabinet Assy  
Version 1

Kind of Cube	Code
18 g. (Standard)	C11014/E
33 g.	C11014/E
13 g.	C11014/ED

Ref. 1 - Foamed Cabinet Assy  
Version 2

Condensation	Code
Air	RC11014A
Water	RC11014W



### Common Parts

Ref.	Spare Description	Code
3	Sucking Fan	10213
4	Fan Fixing Hub	10014
5	Evaporator	See Table
6	Evaporator Cover Panel	Current Version
6	Evaporator Cover Panel	Till s/n. 224530
7	Molecular Drier	14009
8	Compressor	See Table
9	Vacuum-Charge Valve Body	14007
10	Vacuum-Charge Valve Device	14005
11	Vacuum-Charge Valve Plug	14006
12	Hot Gas Valve Coil	See Table
13	Hot Gas Valve Body	20410

### Parts for Air Cooled Version Only

Ref.	Spare Description	Code
1	Air Condenser	20019

### Parts for Water Cooled Version Only

Ref.	Spare Description	Code
2	Water Condenser	Current Version
2	Water Condenser	Till s/n. 151057

### Ref. 5 - Evaporator

Kind of Cube	Code
18 g. (Standard)	D10046
33 g.	D10089
13 g.	D10417
42 g.	D10465

### Ref. 8 - Compressor

Tension	Code
220/240V 50 Hz	23505A
220/230V 60 Hz	23495
110/115V 60 Hz	23678

### Ref. 12 - Hot Gas Valve Coil

Tension	Code
220/240V 50 Hz	23091
220/230V 60 Hz	23091
110/115V 60 Hz	23256



# CB 425

# HYDRAULIC CIRCUIT

### Common Parts

Ref.	Spare Description	Code
1	Ice Cubes Slide	See Table
3	Panel with Flags	Till s/n. 380311
4	Sprayers Bar Assy	See Table
5	Sprayer	D20002
6	Sprayers Bar Plug	10012
7	Overflow Cap	10305
8	Overflow Pipe	10133
9	OR Gasket for Overflow Pipe	20233
10	Inner Basin	10253
11	Semirigid Polyethylene Gasket	13007
12	Bin Discharge Nut	10096
13	Overflow Pipe	Current Version
13	Overflow Pipe	Till s/n. 64085
14	Water Outlet Nipple	10472
15	Silicone Gasket	13006
16	Slide Keep Plate	10009
17	Sprayers Feeding Pipe	13005
18	Pump Suction Filter	20005
20	Fittings Locking Ring	Version 2
20	Fittings Locking Ring	10405
21	Pump Suction/Delivery Pipe	Version 2
21	Pump Suction/Delivery Pipe	13139
22	Fitting for the Pump Suction/Delivery Pipes	Version 2
22	Fitting for the Pump Suction/Delivery Pipes	10404
23	Gasket of the Pump Suction/Delivery Pipes	Version 2
23	Gasket of the Pump Suction/Delivery Pipes	13143
24	Pump Suction Pipe	Version 1
24	Pump Suction Pipe	13021
25	Pump Delivery Pipe	Version 1
25	Pump Delivery Pipe	13019
26	Fixing Screw	Till s/n. 380311
26	Fixing Screw	20009
27	Flags ABS Support	Current Version
27	Flags ABS Support	10526
28	Rod with Flags	Current Version
28	Rod with Flags	C10534

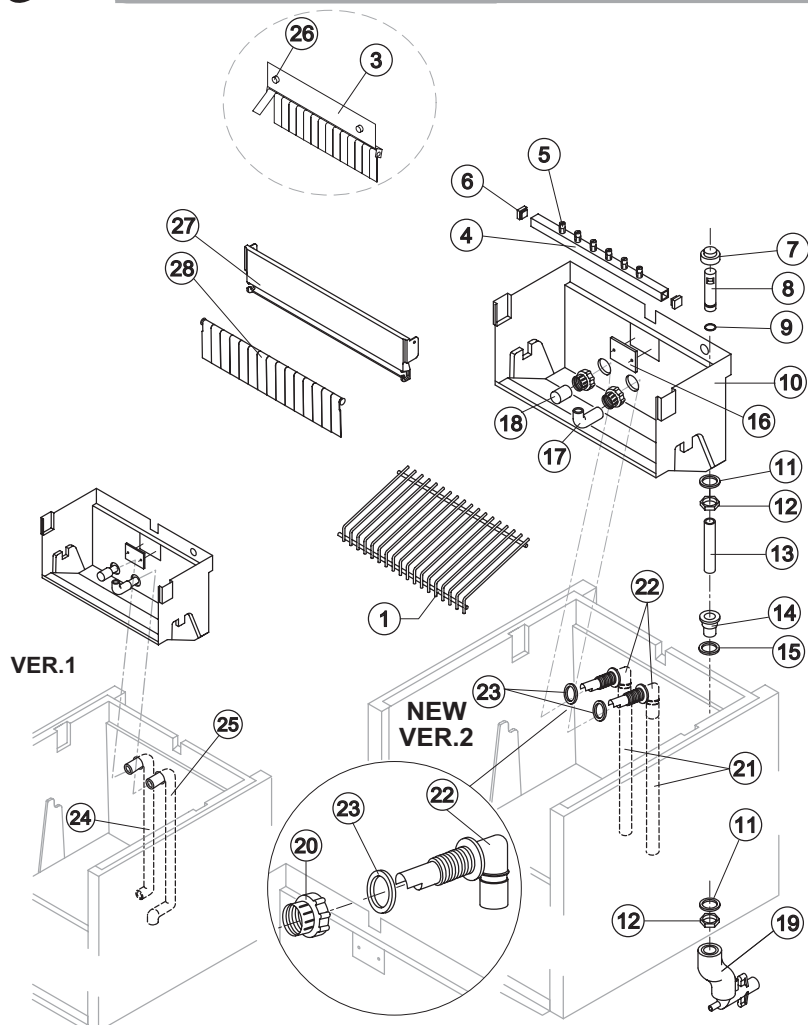
### Parts for Air Cooled Version Only

Ref.	Spare Description	Code
19	Discharges Manifold	C10006

### Parts for Water Cooled Version Only

Ref.	Spare Description	Code
19	Discharges Manifold	C26452

Rev. 6 - 03/08/2007



### Ref. 1 - Ice Cube Slide

Kind of Cube	Code
18 g. (Standard)	D12008
33 g.	D12030
13 g.	D12038
42 g.	D12030

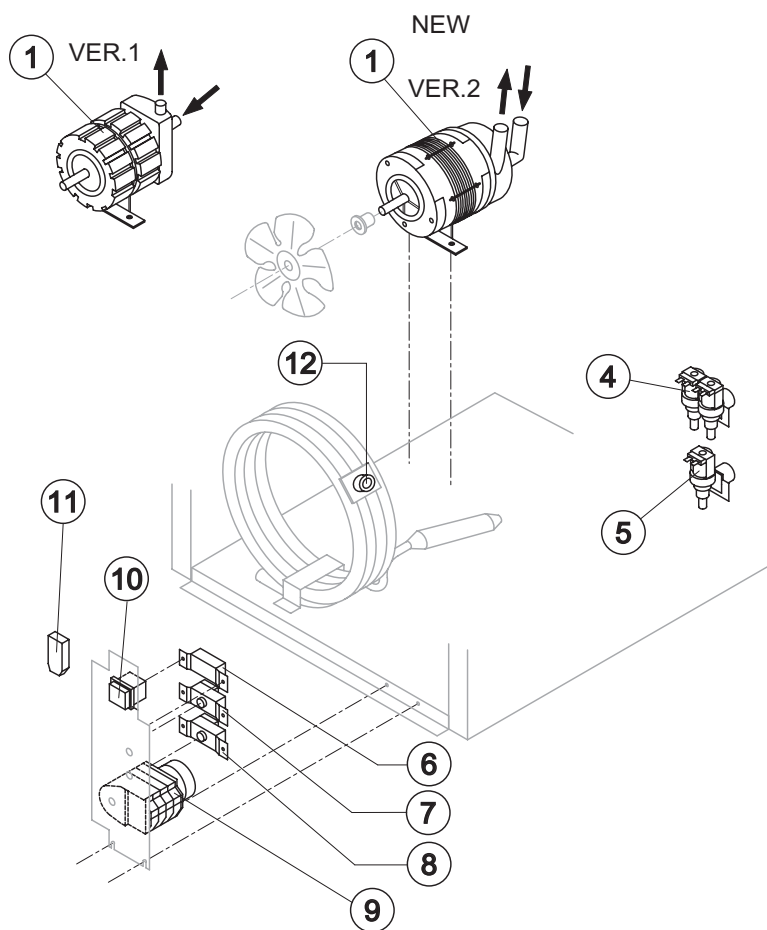
### Ref. 4 - Sprayers Bar

Kind of Cube	Code
18 g. (Standard)	C20029
33 g.	C20155
13 g.	C20189
42 g.	C20155



# CB 425

# ELECTRIC PARTS



### Common Parts

Ref.	Spare Description	Code
1	Pump	See Table
7	Bin Thermostat	R23005
8	Evaporator Thermostat	R23591
9	Timer	See Table
10	Green Light Switch (On-Off)	23327

### Parts for Air Cooled Version Only

Ref.	Spare Description	Code
5	1 Way- Water Inlet Valve	See Table

### Parts for Water Cooled Version Only

Ref.	Spare Description	Code
4	2 Ways Water Inlet Valve	See Table
6	Condenser Pressure Switch	23175
11	Anti Radio Interference Filter	Only 220 V 50 Hz C23457
12	Safety Thermostat	C23114

### Ref. 1 - Pump

Tension	Version 1	Version 2
220/240V 50 Hz	23002	23377
220/230V 60 Hz	23002	23377
110/115V 60 Hz	23264	23663

### Ref. 4 - 2 Ways- Water Inlet Valve

Tension	Code
220/240V 50 Hz	23502
220/230V 60 Hz	23502
110/115V 60 Hz	23646

### Ref. 5 - 1 Way- Water Inlet Valve

Tension	Code
220/240V 50 Hz	23001
220/230V 60 Hz	23001
110/115V 60 Hz	23260

### Ref. 9 - Timer

Tension	18 g Cube	33 g Cube	13 g Cube	42 g Cube
220/240V 50 Hz	23222	23248	23247	23780
220/230V 60 Hz	23248	23780	23247	23780
110/115V 60 Hz	23259	23786	23258	23786

Rev. 6 - 03/08/2007