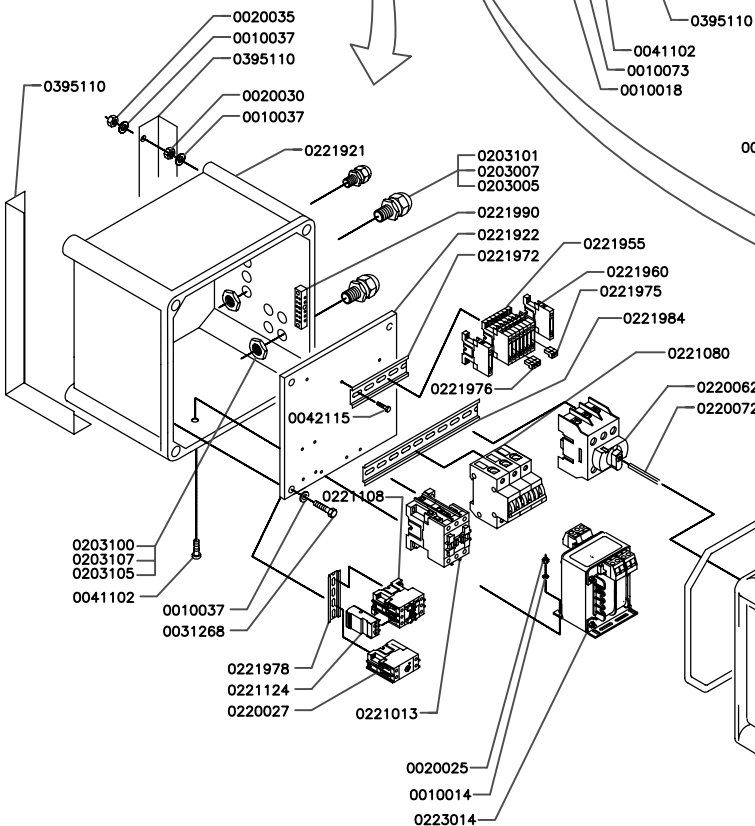
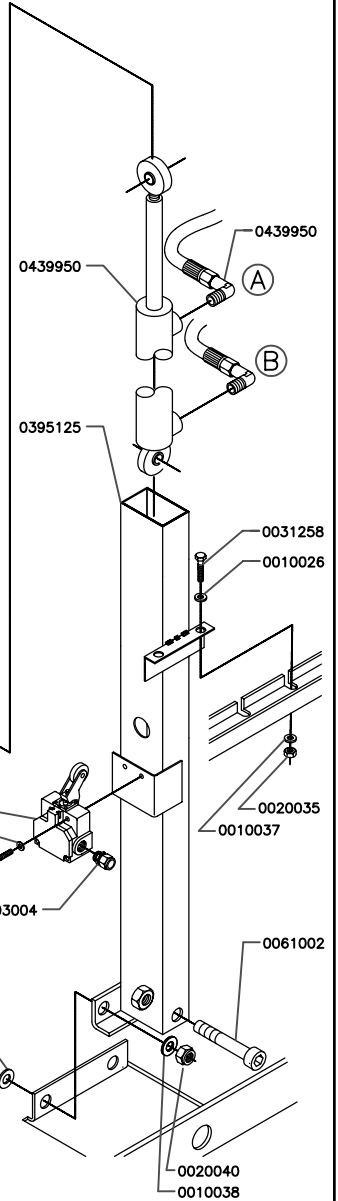
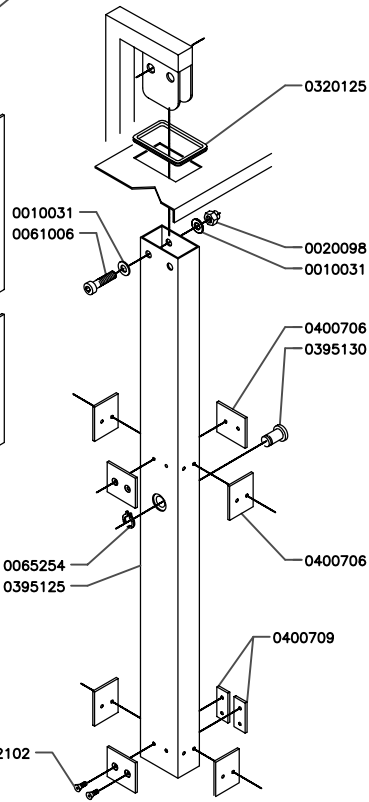
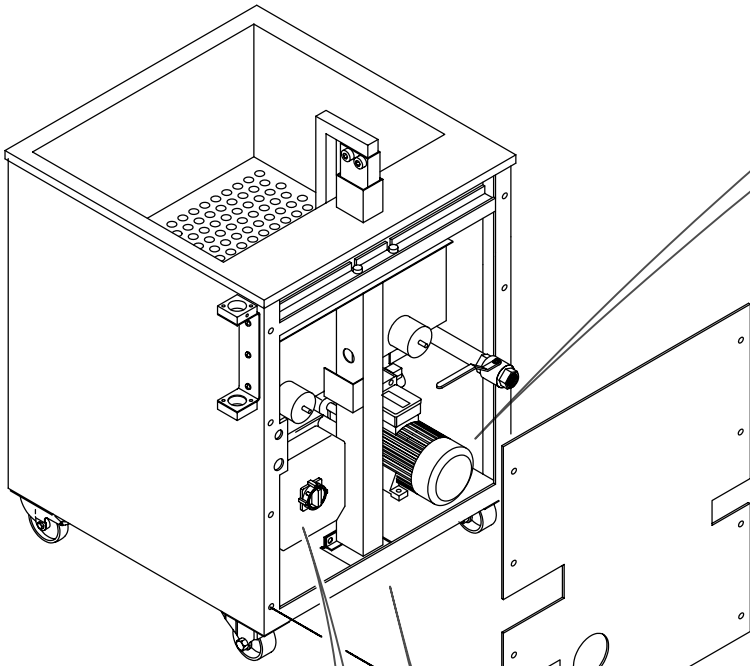
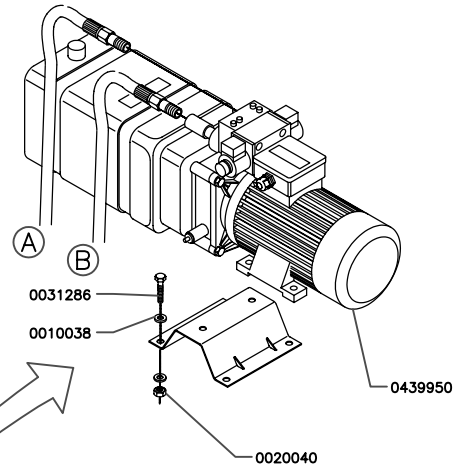
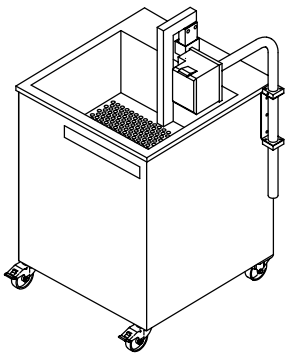
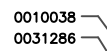
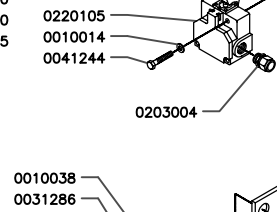
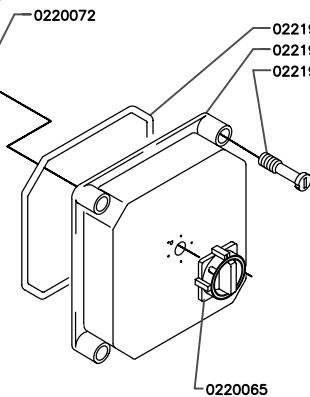
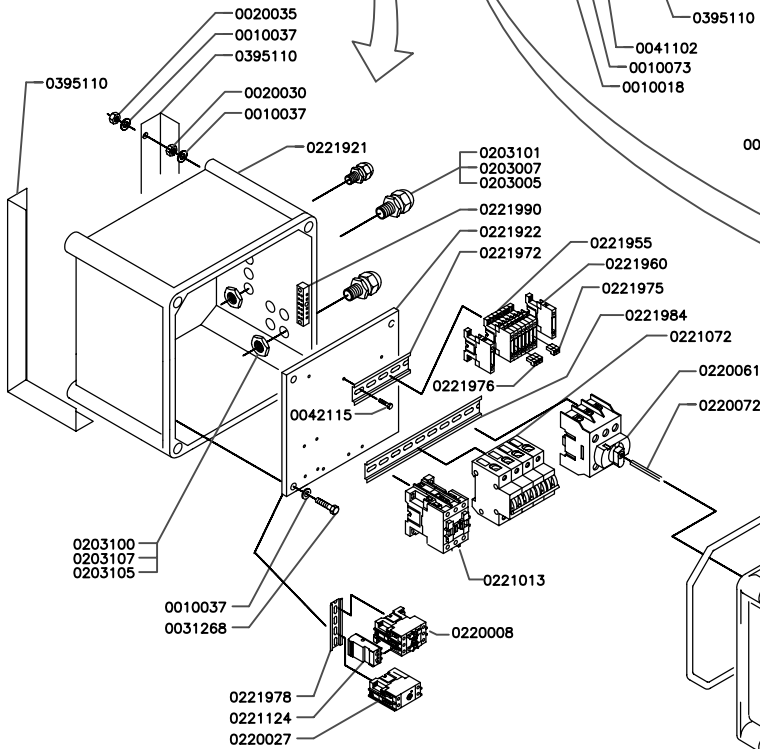
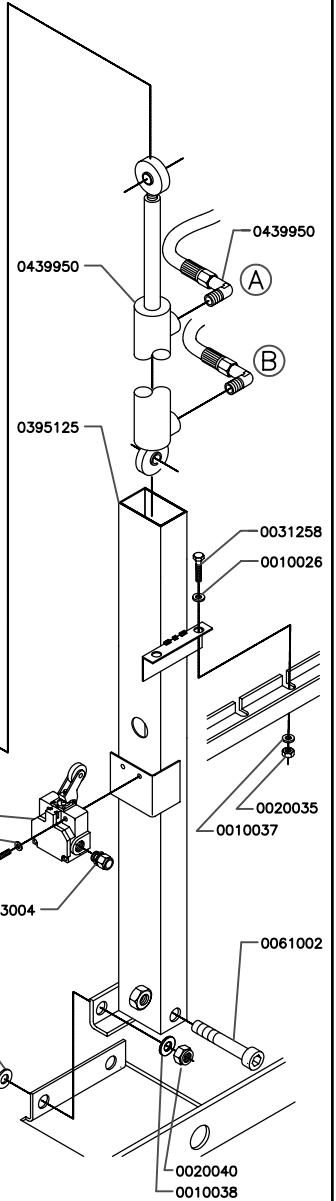
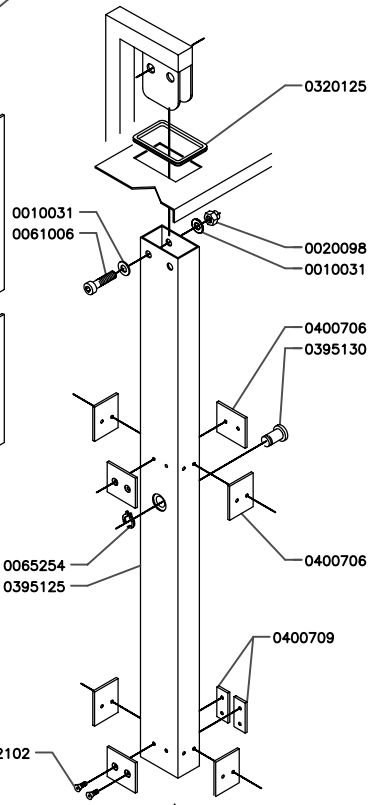
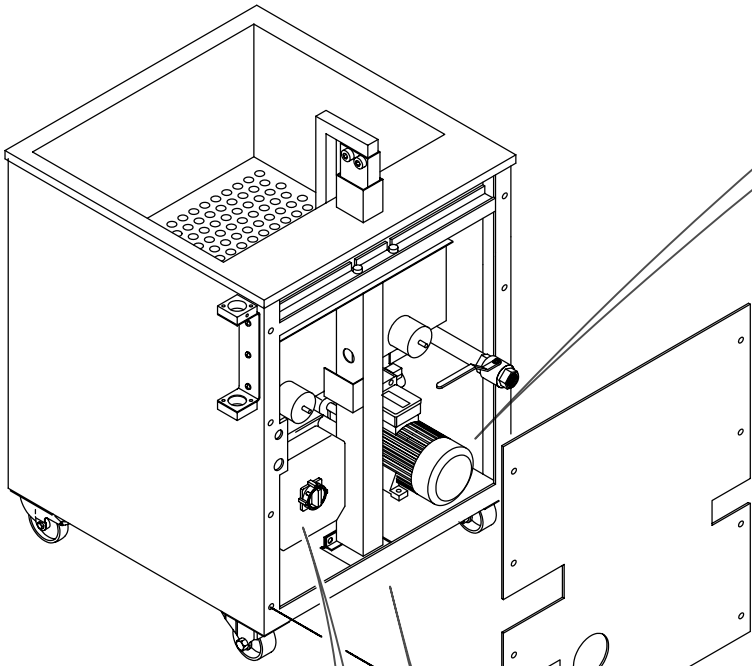
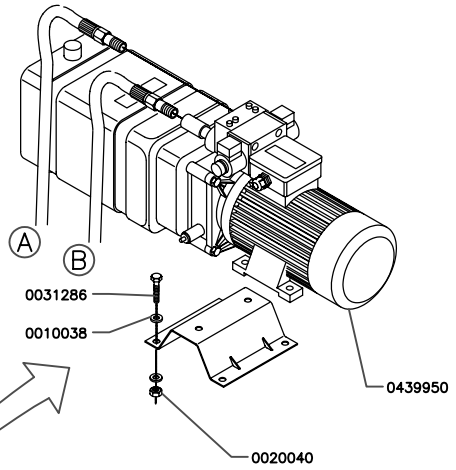
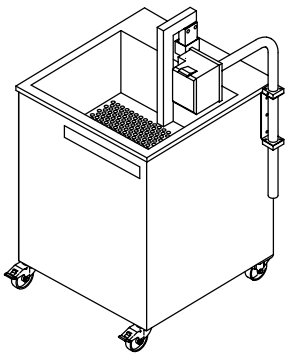


Scale:	Name:	Exploded View	
Date:	Jan 2007		
Drawn by:	MD		
HENKELMAN B.V.		A 4 Drawing Page 1-3	
PO. box 2117		Rev. 040	
5202 CC 's-Hertogenbosch			
Tel. ++31(0)73 - 6213671		<small>Copyright Henkelman B.V. All rights reserved. Reproduction or distribution of this drawing in any form is not permitted without written permission of the owner.</small>	
Fax ++31(0)73 - 6221318			
The Netherlands			



Scale:	Name:	Exploded View	
Date: Jan 2007	DT60 200-230 V		
Drawn by: MD	A 4 Drawing Page 2-3		
HENKELMAN B.V. P.O. box 2117 5202 CC 's-Hertogenbosch Tel. ++31(0)73 - 6213671 Fax ++31(0)73 - 6221318 The Netherlands		Rev. 040	



Scale:	Name:	Exploded View	
Date:	DT60 400 V		
Drawn by:	MD		
HENKELMAN B.V. P.O. box 2117 5202 CC 's-Hertogenbosch Tel. ++31(0)73 - 6213671 Fax ++31(0)73 - 6221318 The Netherlands		A 4	Drawing Page 3-3
			Rev. 03
<small>Ownership, quality reserved. Manipulation or information in third parties in any form is not permitted without written permission of the owner.</small>			