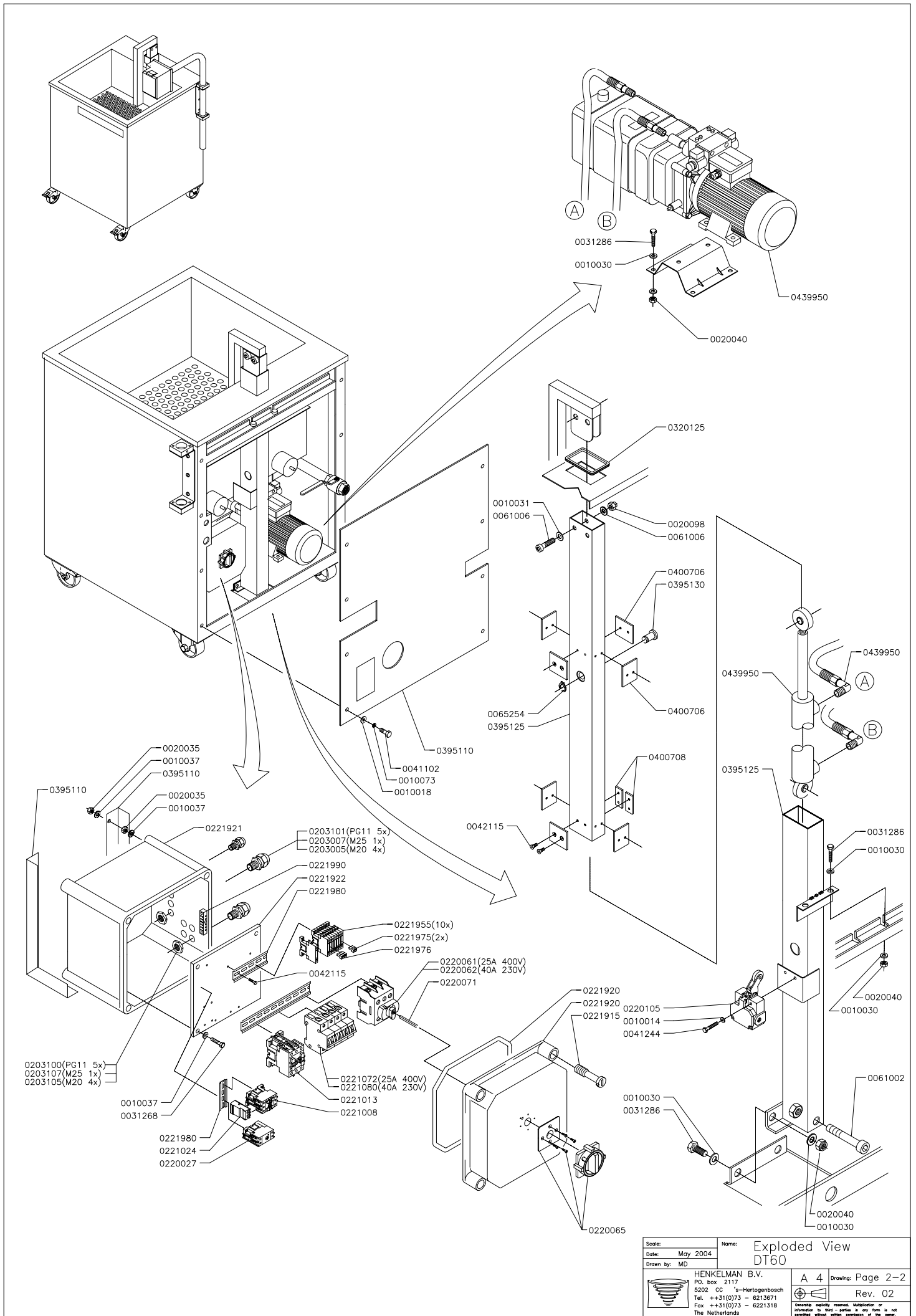
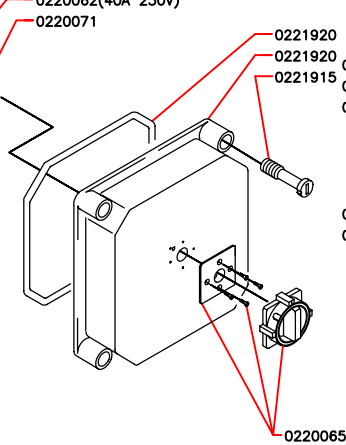
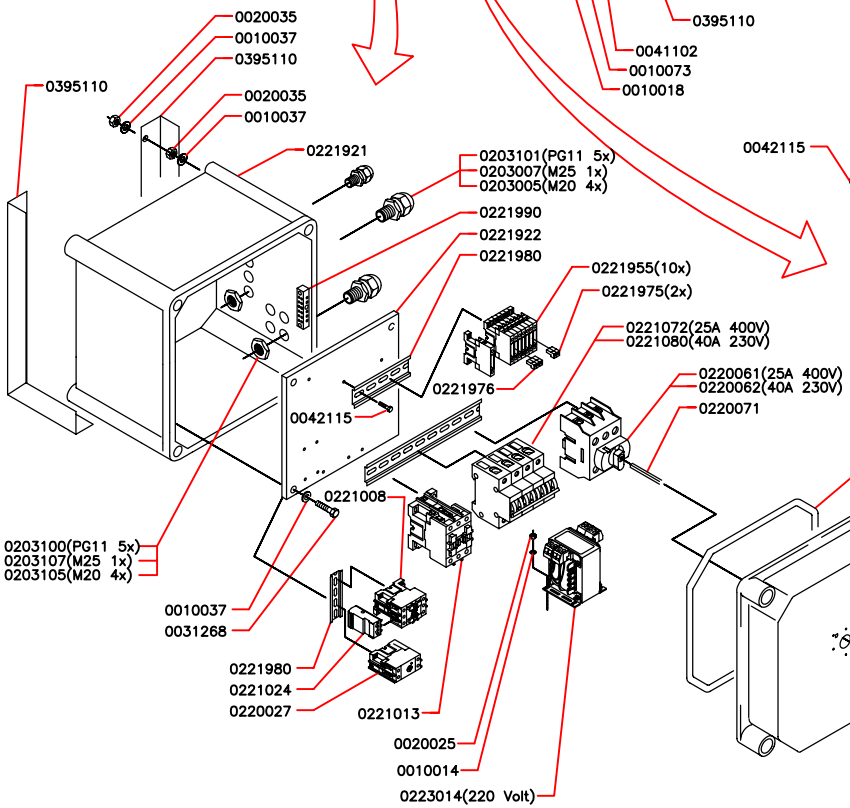
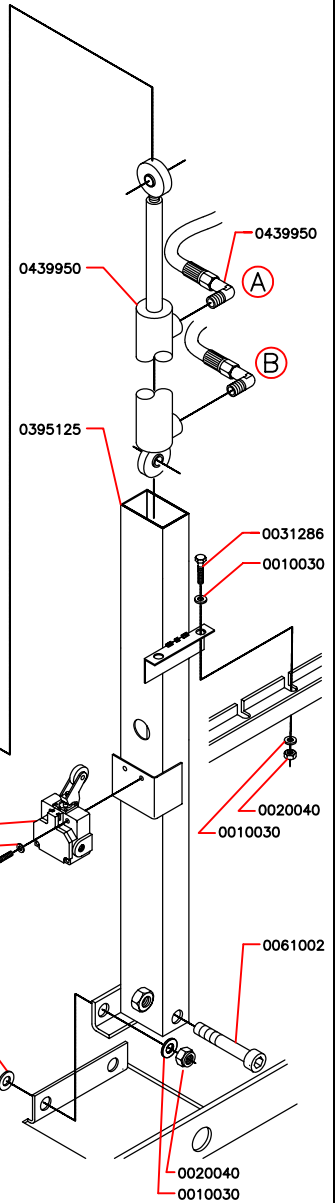
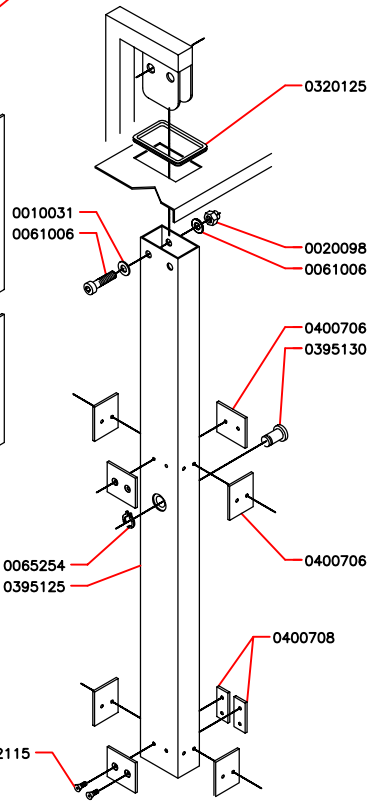
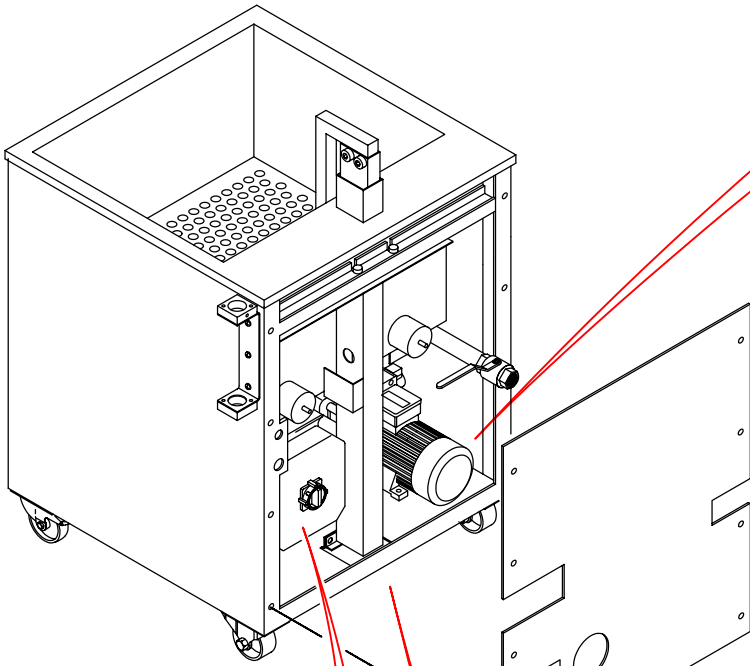
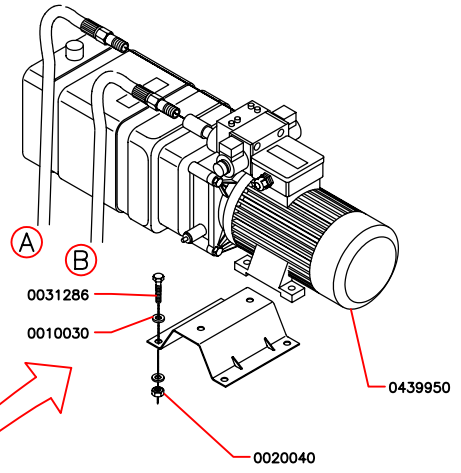
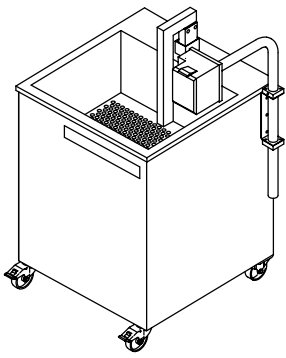



Scale:	Name:	Exploded View	
Date: May 2004	DT60		
Drawn by: MD	HENKELMAN B.V.		
P.O. box 2117 5202 CC 's-Hertogenbosch Tel. ++31(0)73 - 6213671 Fax ++31(0)73 - 6221318 The Netherlands			
A 4		Drawing: Page 1-2	
		Rev. 02	
<small>Ownership explicitly reserved. Multiplication or alteration in third parties in any form is not permitted without written permission of the sender.</small>			



Date:	May 2004	Name:	Exploded View DT60
Drawn by:	MD		
HENKELMAN B.V. P.O. box 2117 5202 CZ 't-Hertogenbosch Tel. ++31(0)73 - 6213671 Fax ++31(0)73 - 6213118 The Netherlands		A 4	Drawing: Page 2-2 Rev. 02
<small>Ownership liability reserved. Manipulation or alteration to third parties in any form is not permitted without written permission of the owner.</small>			



Scale:	Name:	Exploded View	
Date:	Sept 2006		
Drawn by:	MD		
HENKELMAN B.V.		A 4	Drawing Page 2-2
PO. box 2117		Rev. 02	
5202 CC 's-Hertogenbosch			
Tel. ++31(0)73 - 6213671		<small>Ownership, quality reserved. Manipulation or information in third parties in any form is not permitted without written permission of the owner.</small>	
Fax ++31(0)73 - 6221318			
The Netherlands			