

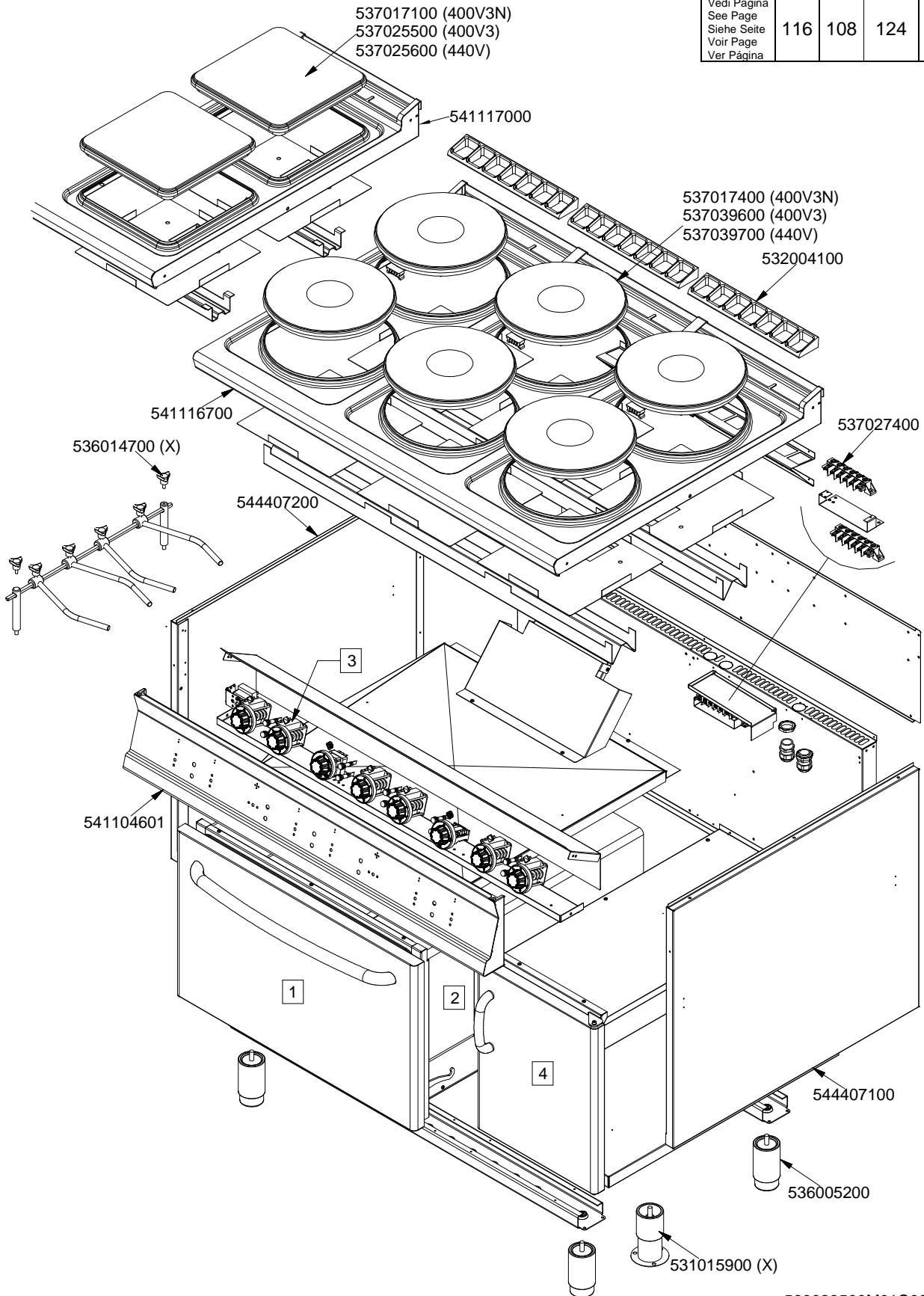
# IPERLOTUS 90

CUCINE / RANGES / HERDE / CUISINIÈRES

CF...6-912

CF6-912ETV CFQ6-912ETV CF6-912ETVX CFQ6-912ETVX

	1	2	3	4
Vedi Pagina See Page Siehe Seite Voir Page Ver Pagina	116	108	124	130



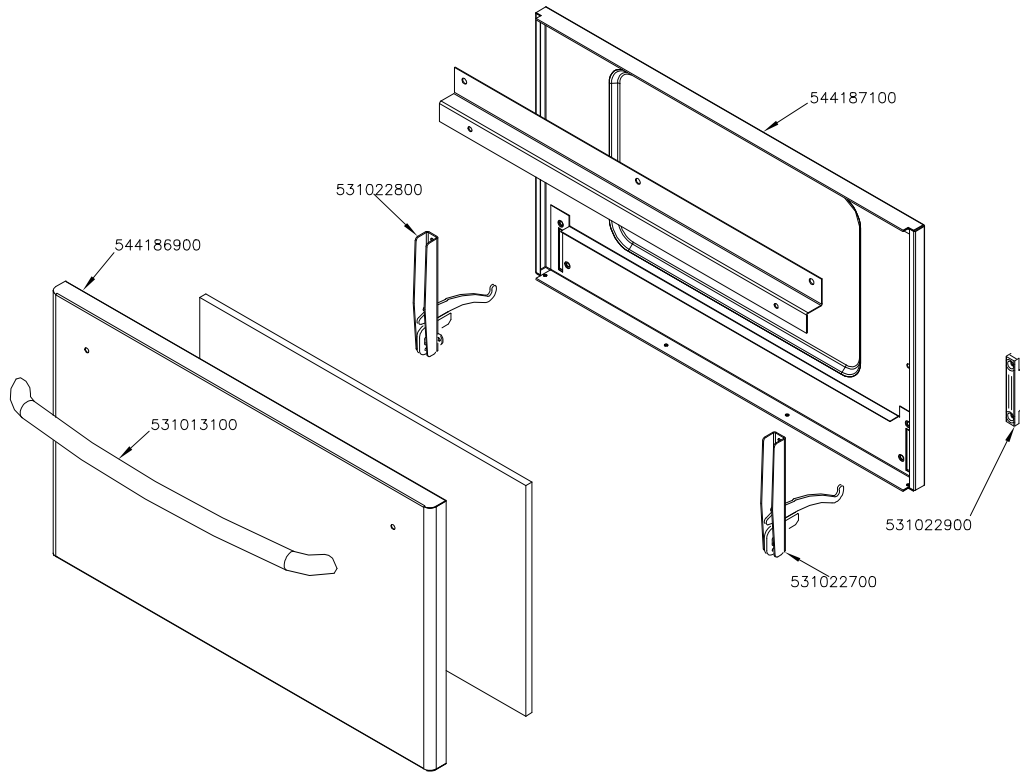
560023500M01C00

# IPERLOTUS 90

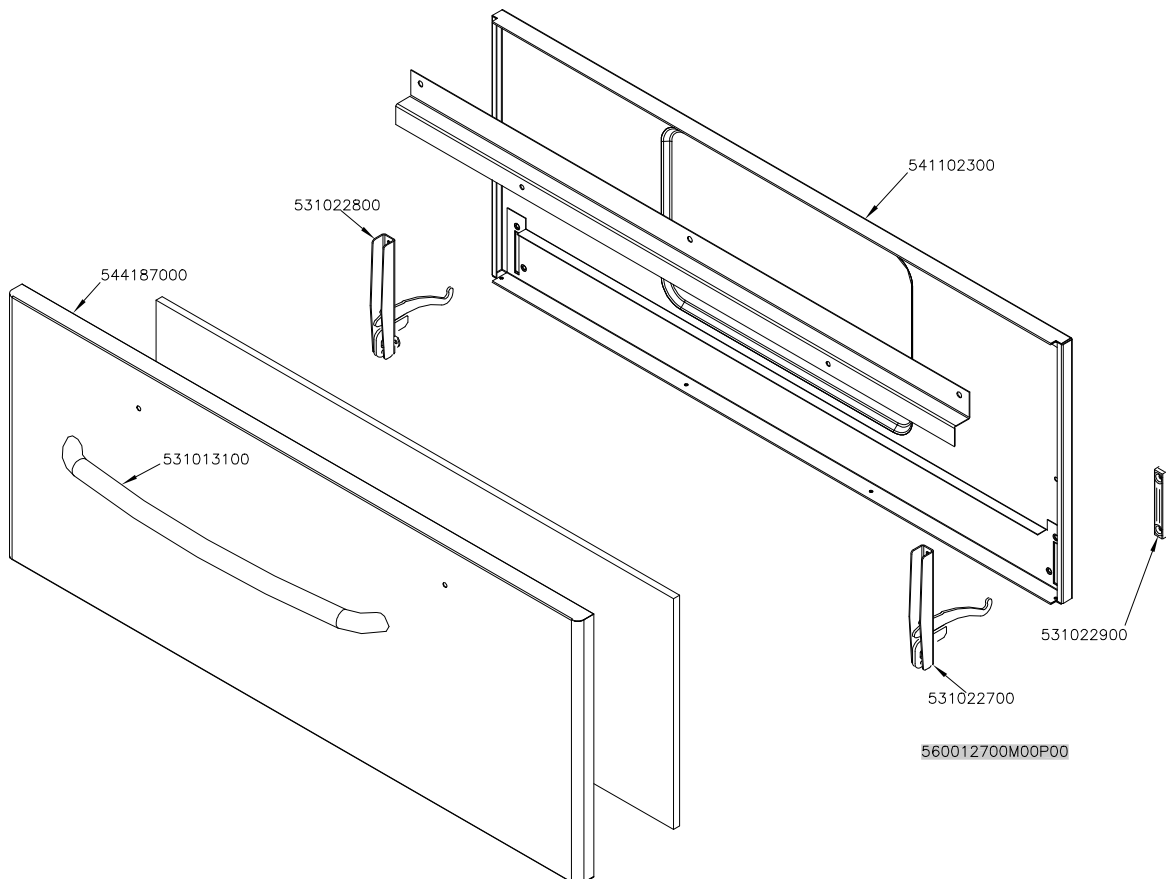
CUCINE / RANGES / HERDE / CUISINIÈRES  
FORNO / OVEN / BACKOFEN / FOUR

## PORTE / DOORS / TÜREN / PORTES

GN 2/1



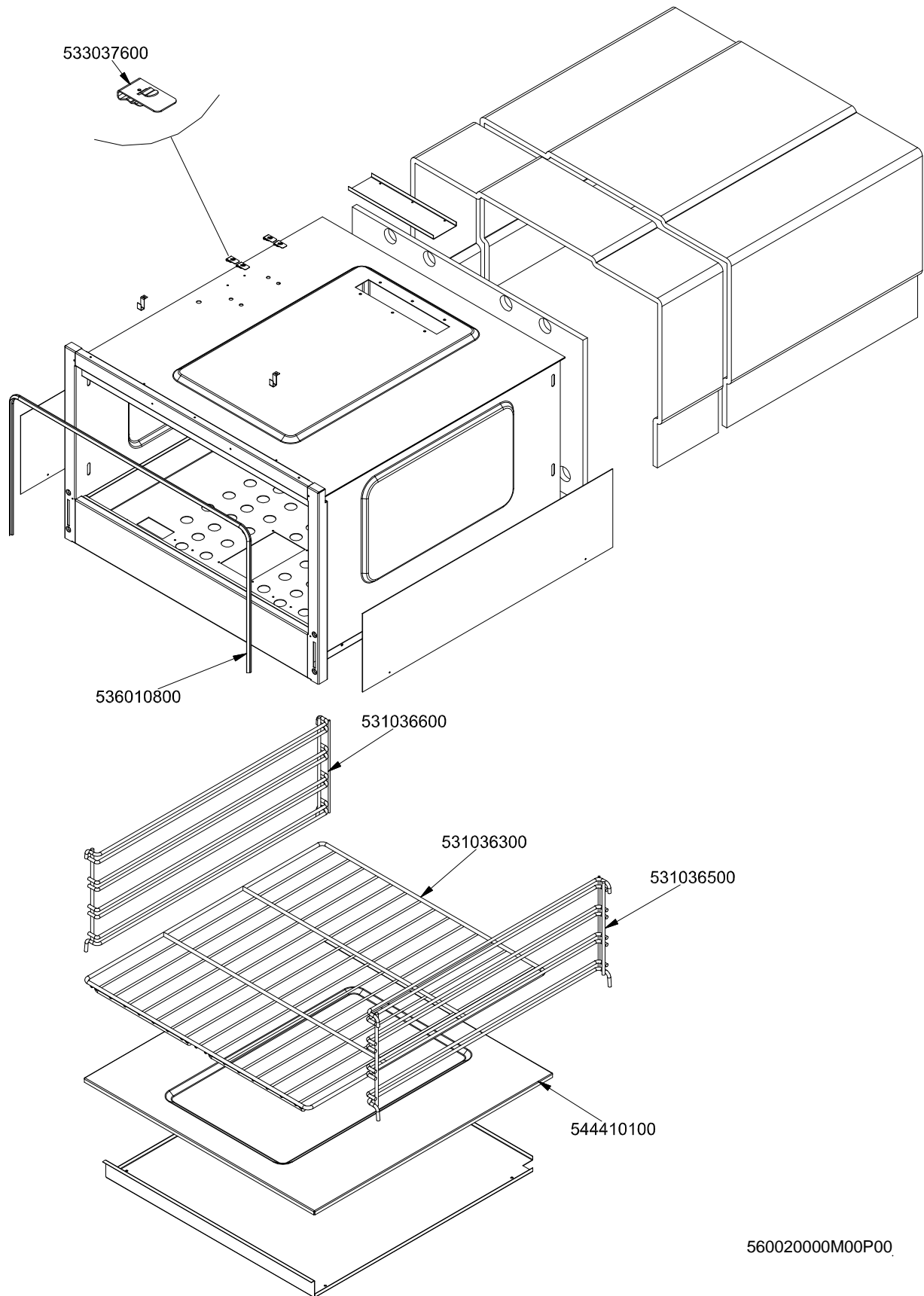
GN 3/1



# IPERLOTUS 90

CUCINE / RANGES / HERDE / CUISINIÈRES  
FORNO / OVEN / BACKOFEN / FOUR

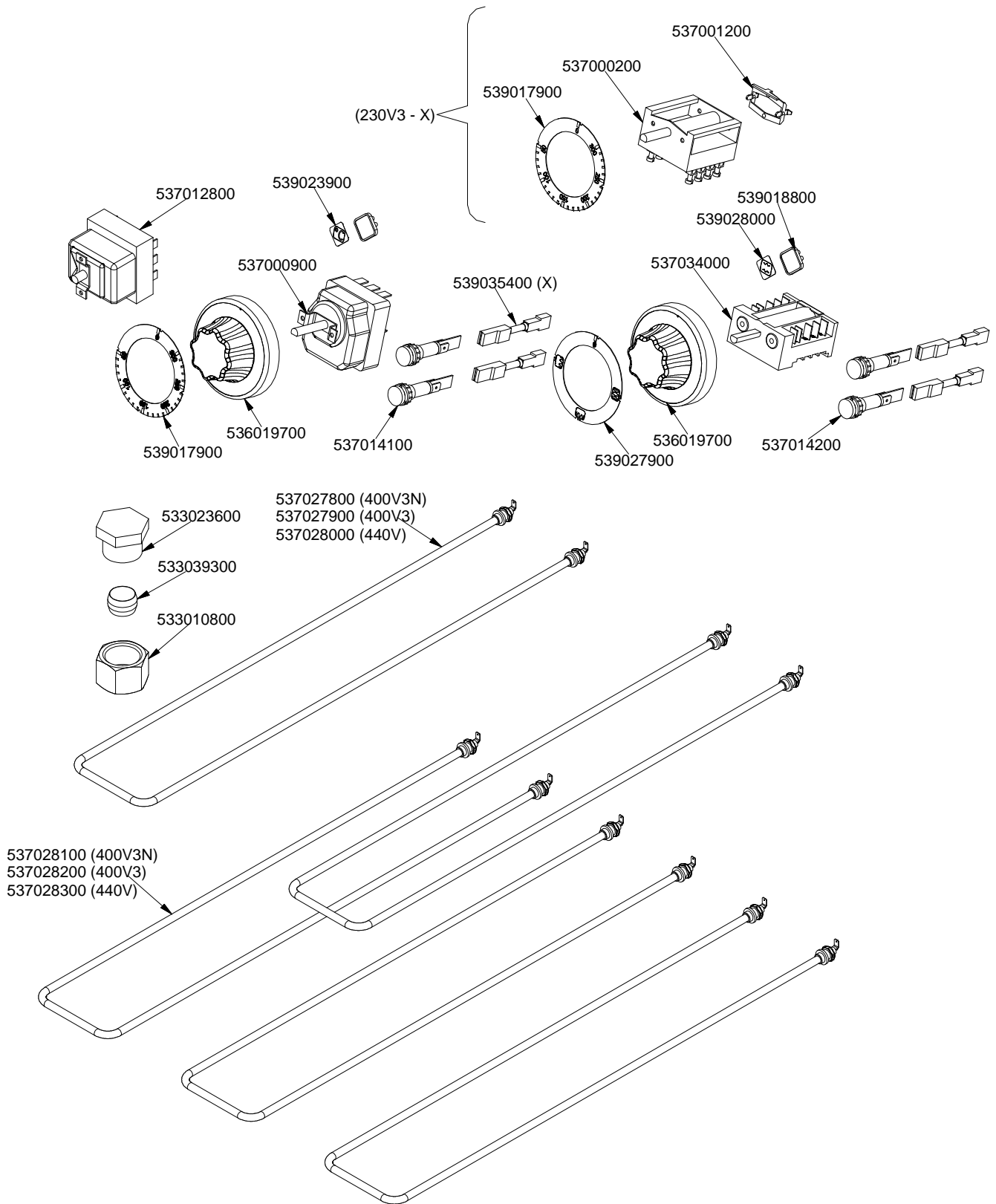
ELETRICO / ELECTRICAL / ELEKTRO / ELECTRIQUE / GN 2/1 / X



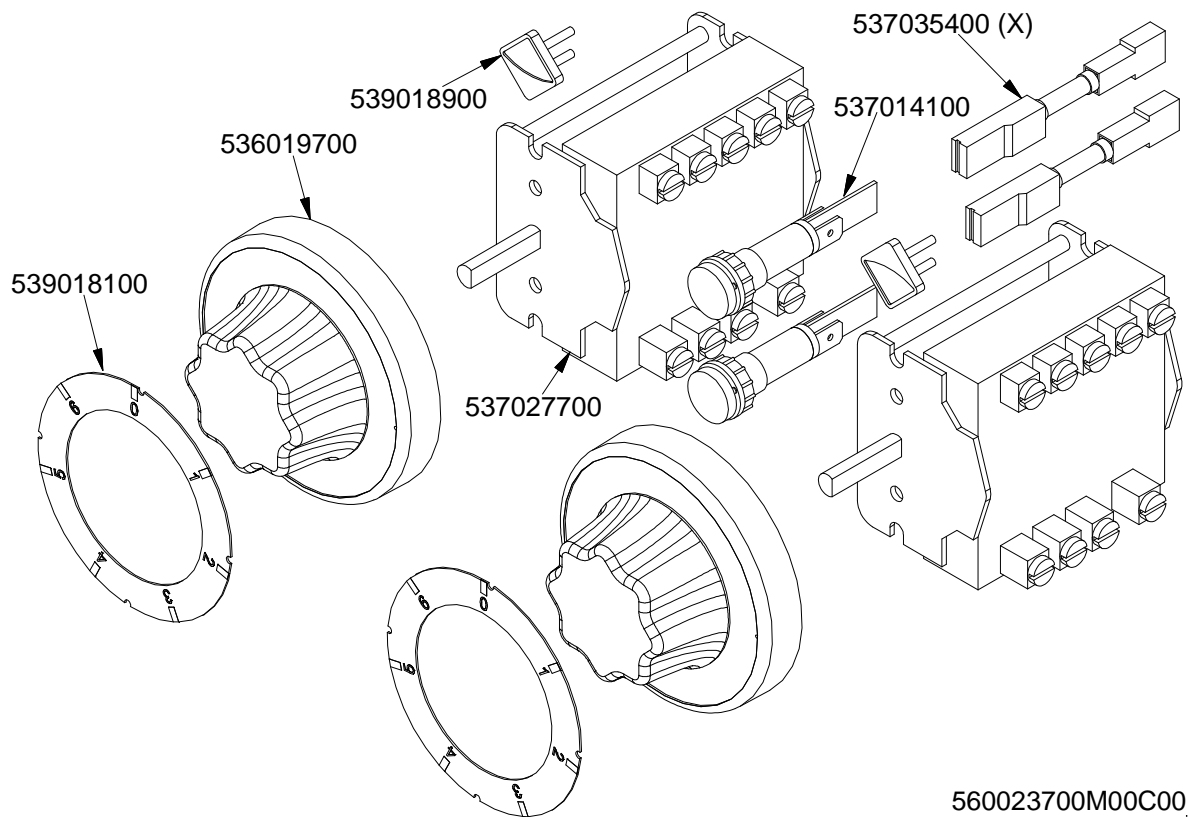
# IPERLOTUS 90

CUCINE / RANGES / HERDE / CUISINIÈRES  
FORNO / OVEN / BACKOFEN / FOUR

ELETTICO / ELECTRICAL / ELEKTRO / ELECTRIQUE / GN 2/1 / X

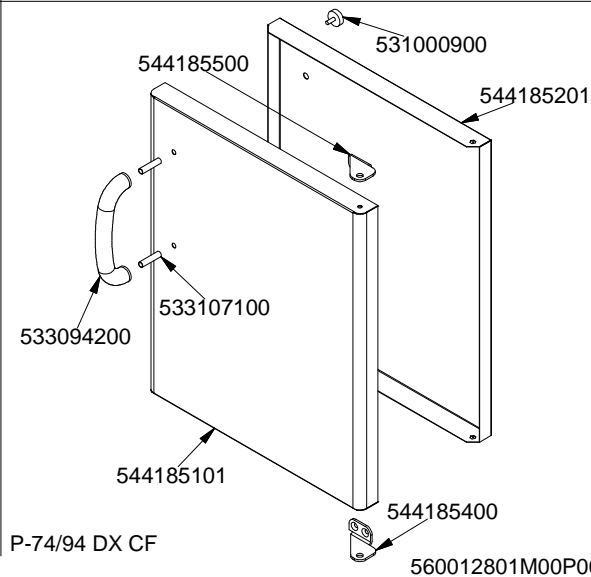
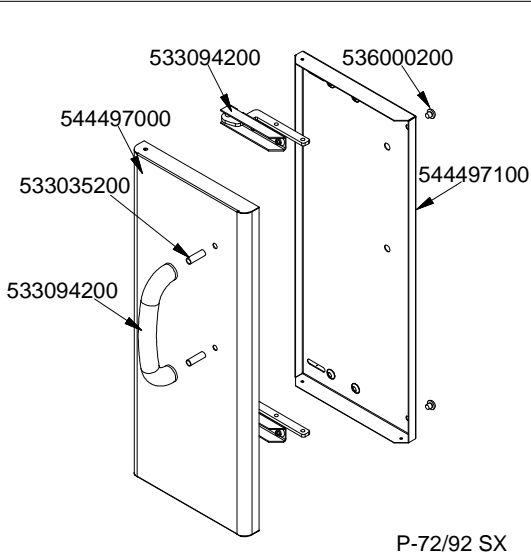
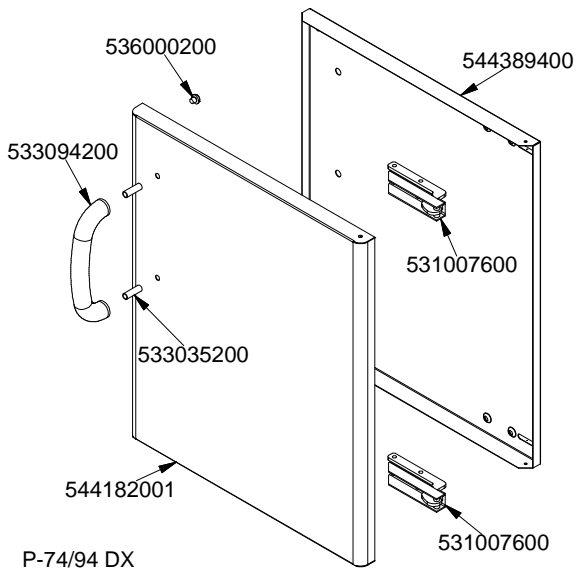
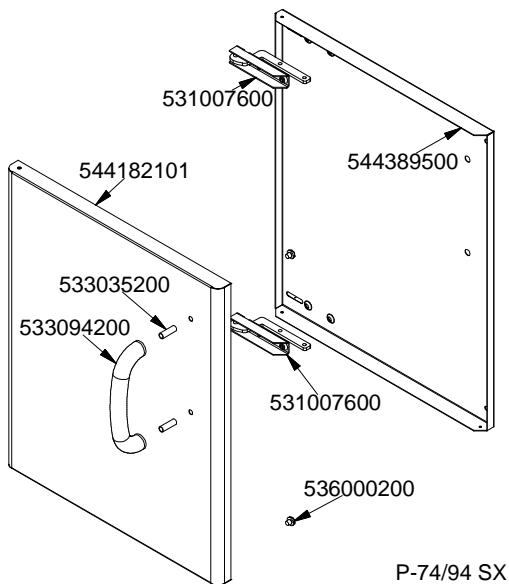
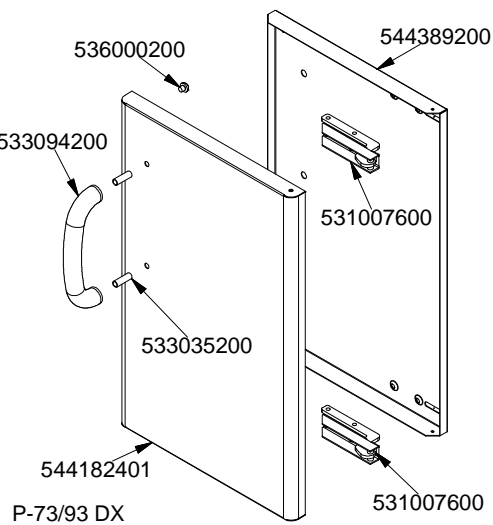
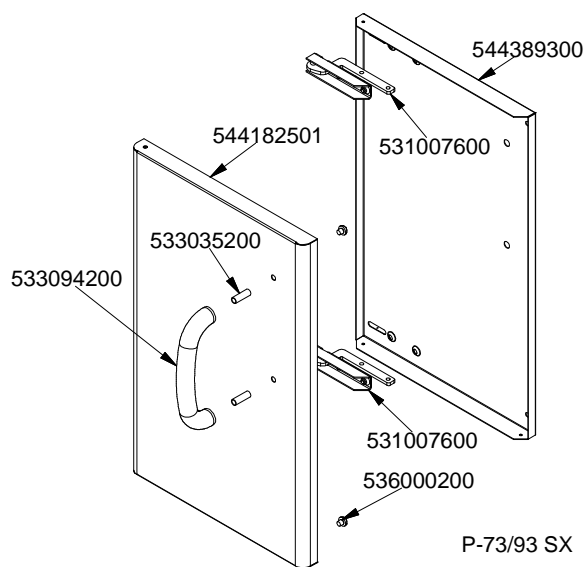


## PC-E PC-EX



560023700M00C00

**PORTE / DOORS / FLÜGELÜREN / PORTES N°≥0602**



560012801M00P00

Page	Pos	Code	Description
001		544407100	RIGHT SIDE PANEL RANGE 90 LINE
001		536005200	INOX LEG 2" 120-180 M10
001		541104601	CONTROL PANEL CF6-712E CF6-712EV
001		544407200	RIGHT SIDE PANEL RANGE 70 LINE
001		532004100	FLUE GRID L=370 70LINE (RAF)
001		541116700	UPPER PLATE PC-912ET CF6-912ET/ETV
001		537027400	TERMINAL BLOCK THREEPHASE 40A
001		541117000	UPPER PLATE PCQ-912E CFQ6-912ET/ETV
001		536014700	3 DRILL WHEELS
001		537017400	ELECTRICAL PLATE D.300 W3500 V230
001		537039600	
001		537039700	
001		537017100	PLATE 300X300 W4000 V230
001		537025500	PLATE 300X300 W4000 V230
001		537025600	PLATE 300X300 W4000 V230
001		531015900	ADJUSTABLE LEG 2"
002		544187100	OVEN INNER DOOR GN 2/1 S.70
002		531022800	LEFT OVEN DOOR HINGE S.70
002		544156900	
002		531013100	OVEN DOOR HANDLE OF 70/90-LINE
002		531022900	HINGE DOOR WHEEL HOLDER S.70
002		531022700	RIGHT OVEN DOOR HINGE 70LINE
002		541102300	GAS OVEN INNER DOOR GN 3/1 S.70
002		531072800	
002		544187000	OVEN DOOR GN 3/1 S.70
003		533037600	LOCK SPRING FOR BULB
003		536010800	OVEN GASKET GN 2/1 (1261)
003		531036600	LHD RACK HOLDER FOR OVEN S.90
003		531036300	OVEN RACK GN 2/1 FOR 90 LINE
003		531036500	RHD RACK HOLDER FOR OVEN S.90
003		544410100	90 ELECTRICAL OVEN BOTTOM GN2/1
004		539018800	INDEX FOR OVEN KNOB
004		539028000	SELECTOR SIGN PLATE FOR OVEN
004		537034000	
004		536019700	BLACK KNOB §70 PIN §6*5
004		537014200	GREEN WARNING LIGHT 250V
004		537027800	OVENUPPER HEATING EL. W800 V230 90L
004		537012800	SAFETY THERMOSTAT 420°C THREEPHASE
004		539017900	ADHESIVE GRADUATED DISC FOR KNOB
004		537000900	THERMOSTAT 50-320°C THREEPHASE
004		539023900	SIGN PLATE FOR OVEN TEMPERATURE
004		537014100	WHITE WARNING LIGHT 250V
004		539027900	ADHESIV.GRADUATED DISC FOR SELECTOR
004		533023600	TAP PLUG §10 M16*1, 5CH19
004		533039300	BICONE §10
004		533010800	TUBE NUT D.10 M16*1,5
004		537000200	COMMUTATOR 1 POS. 3PHASE S.49 16A
004		537001200	FIXING BRACKET FOR THERMOSTAT/COMM.
004		539035400	
004		537027900	OVENUPPER HEATING EL. W800 V400 90L
004		537028000	OVENUPPER HEATING EL. W800 V440 90L

Page	Pos	Code	Description
004		537028100	OVEN LOWER HEATING EL.W700 V230 90L
004		537028200	HEATING ELEMENT 1700W 230V OVEN S70
004		537028300	OVEN LOWER HEATING EL.W1700 V230 90
005		539018100	ADHESIVE GRADUATED DISC FOR KNOB
005		536019700	BLACK KNOB §70 PIN §6*5
005		539018900	INDEX FOR KNOB
005		537027700	COMMUTATOR 7 POSITIONS S.43 32A
005		537014100	WHITE WARNING LIGHT 250V
005		537035400	HEATING ELEMENT 00003W 330KO
006		544389300	
006		531007600	DOOR HINGE
006		544182501	LEFT DOOR 73
006		533035200	
006		533094200	S/S HANDLE FOR 70/90 SERIES
006		536000200	D.12 H.4 BUMPER
006		544182401	RIGHT DOOR 73
006		544389200	
006		544182001	RIGHT DOOR 74
006		544389400	
006		544182101	LEFT DOOR 74
006		544389500	INNER-DOOR OF LHD 74
006		544497100	
006		544497000	
006		544185101	RIGHT DOOR 74 CF
006		544185400	LOWER DOOR HINGE FOR COMPARTME CF70
006		533107100	
006		544185500	UPPER DOOR HINGE FOR COMPARTME CF70
006		531000900	MAGNET §22 KG.3 WITH DISK
006		544185201	