

M B M

**SPARE PARTS CATALOGUE
ERSATZTEILKATALOG
CATALOGUE PIECES DETACHEES
CATALOGO PARTI RICAMBIO
CATALOGO DE PIEZAS DE RECAMBIO
CATALOGO PEÇAS DE REPOSICAO**

LOD 202

29-06-2011

LOD 202

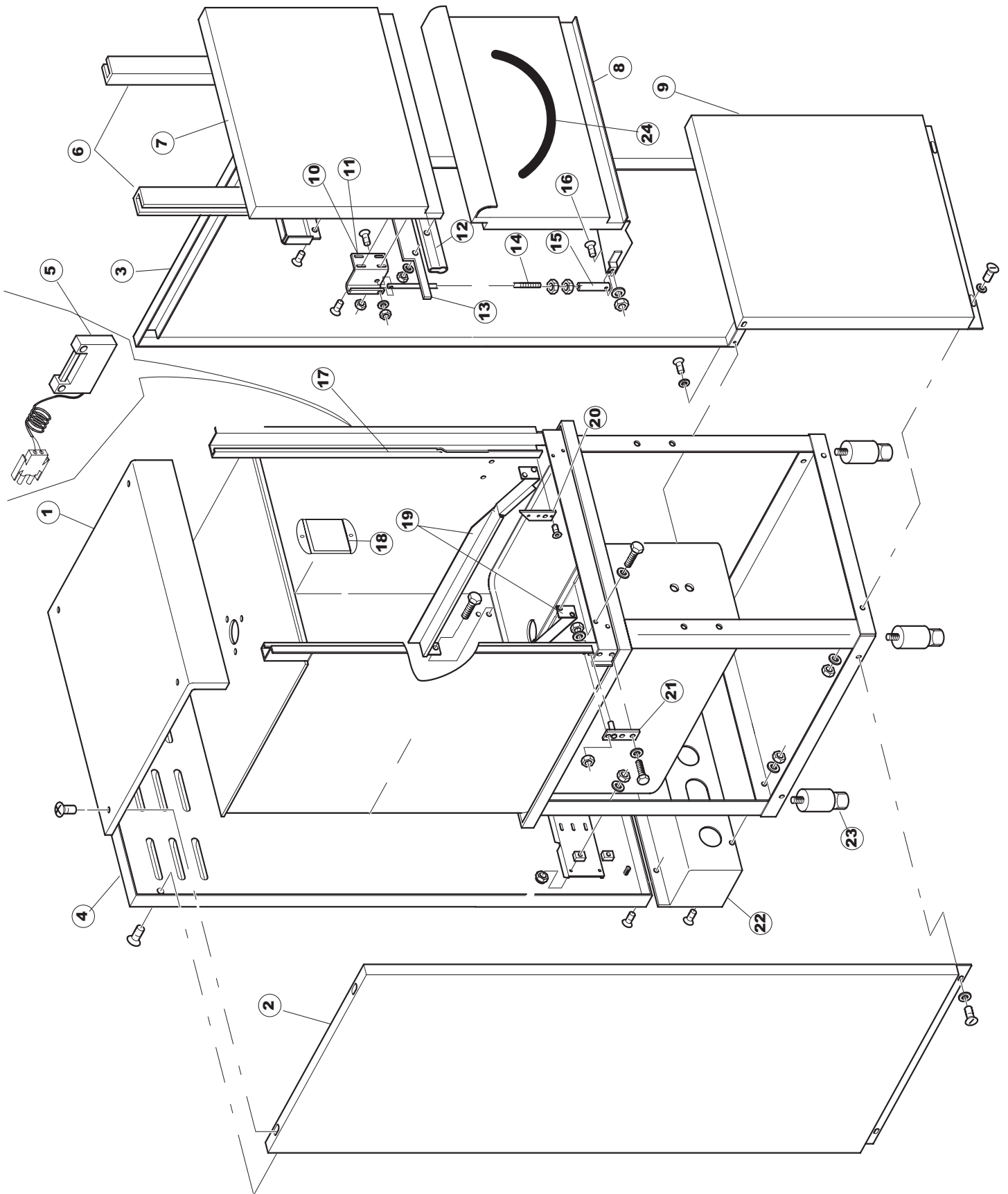
Tav.1: Carrozzeria
Tav.2: Impianto elettrico
Tav.3: Componenti in vasca
Tav.4: Circuito di lavaggio
Tav.5: Circuito di risciacquo
Tav.6: Lance di lavaggio
Tav.7: Pompa di lavaggio

Tav.1: Machine body
Tav.2: Electrical components
Tav.3: Components in the tank
Tav.4: Washing circuit
Tav.5: Rinsing circuit
Tav.6: Washing arms
Tav.7: Washing pump

Tab.1: Carrocería
Tab.2: Instalación eléctrica
Tab.3: Componentes en cuba
Tab.4: Circuito de lavado
Tab.5: Circuito d'enjuague
Tab.6: Brazos de lavado
Tab.7: Bomba de lavado

Tab.1: Carrosserie
Tab.2: Installation électrique
Tab.3: Composants de cuve
Tab.4: Circuit de lavage
Tab.5: Circuit de rinçage
Tab.6: Bras de lavage
Tab.7: Pompe de lavage

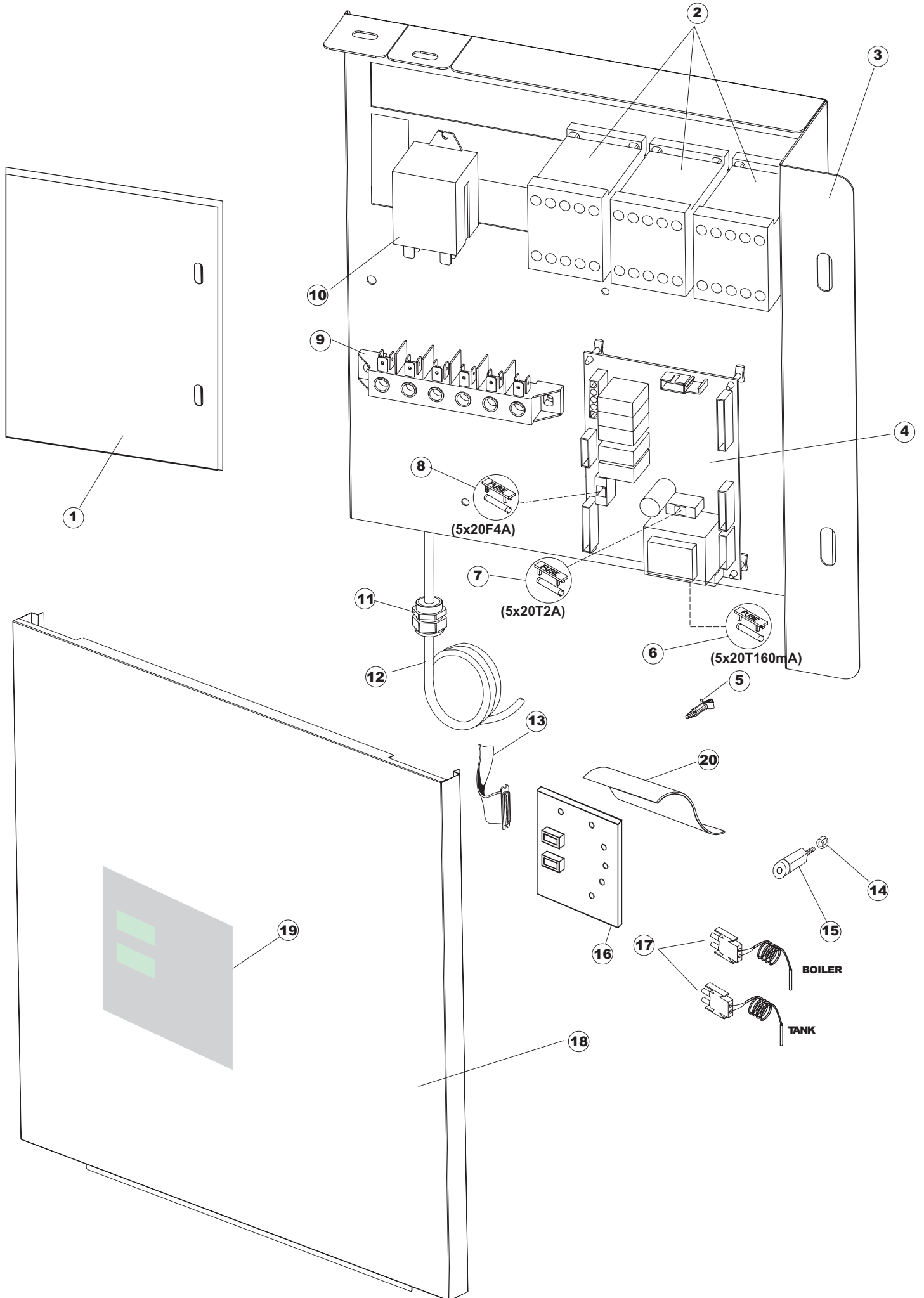
Taf.1: Verkleidung
Taf.2: Elektrische Anlage
Taf.3: Bauteile im Waschtank
Taf.4: Spuelschaltung
Taf.5: Nachspuelschaltung
Taf.6: Wascharmee
Taf.7: Spuelpumpe



Pagina 1

1	41118	PANN.SUPER.U61/61H PANEL, UPPER U61/61H OB. PLATTE U61/61H PANN.SUPER.U61/61H PANEL SUPER. U61/61H	
2	41110	PANNELLO LATERALE SX.COMPL.U61 PANEL, SIDE LH COMPL.U61 PLATTE, SEITL. LINKS KOMPL.U61 PANNEAU LATERAL GAUCHE COMPL.U61 PANEL LATERAL IZDA. COMPL. U61	
3	41114	PANNELLO LATERALE DX.COMPL.610 PANEL, SIDE RH COMPL.610 PLATTE, SEITL. RECHTS KOMPL.610 PANNEAU LATERAL DROITE COMPL.610 PANEL LATERAL DCHA. COMPL. 610	
4	41122	PANNELLO RETRO U61 PANEL, REAR U61 PLATTE, HINTEN U61 PANNELLO ARRIERE U61 PANEL TRASERO U61	
5	80871	MICRO MAGNETICO MAGNETIC DOOR SWITCH TUERKONTAKTSCHALTER CONTACTE MAGNETIQUE CONTACTO MAGNETICO	
6	41038	GUIDA SCORR.SPORTELLO SUP.U61/61H GUIDE, UPP.DOOR SLIDING U61/61H SCHIEBER, OB.TÜR U61/61H GUIDE GLISSEM.VOLET SUP.U61/61H GUIA CORRED. PUERTA SOP. U61/61H	
7	41580	PORTA SUPERIORE UPPER DOOR, ASSY FOR POT AND PAN WASHERS TUER - OBEN - KOMPLETT - FUER KOCHTOEPFE SPUELER PORTE SUPERIEURE COMPLETE POUR LAVE-CASS EROLES PUERTA SUP.COMPL.U61/61H	
8	41640	PORTA INFERIORE LOWER DOOR TUER - OBEN - PORTE INFERIEURE PUERTA INFERIOR	
9	41124	PANNELLO ANTERIORE LP101-105 COMPLETO PANNELLO ANTERIORE LP101-105 COMPLETO PANEL DELANT. LP101-105 COMPLETO.	
10	4108701	SQUADRA DESTRA AGGANCIO TIRANTE SPORTELLO SUPERIC RIGHT BRACKET FOR UPPER DOOR TIE ROD FASTENING RECHT-HATER FUER ANKUPPELN DER OBEREN TUER-STANG EQUERRE DROITE ACCROCHAGE TIRANT PORTE SUPERIEUR ESCUAD DCHA. FIJA TIR PUERTA SUP. LP PG ACAB.	
11	4108801	SQUADRETTA SINISTRA AGGANCIO TIRANTE SPORTELLO SUF LEFT BRACKET FOR UPPER DOOR TIE ROD CONNECTION FOF LINK-HALTER FUER ANKUPPELN OBEREN TUERSTANGE FUER EQUERRE DROITE ACCROCHAGE TIRANTE PORTE SUPERIEUR ESCUAD IZQDA. FIJ TIR PUERTA SUP. LP PG ACAB.	
12	41583	GURANIZIONE PORTA	
13	41582	STAFFA GUARNIZIONE PORTA DOOR PACKING SUPPORT - UPPER - FOR POT AND PAN WASHERS HALTERUNG FUER TUERPACKUNG - OBEN FUER KOCHTOEPFE SUPPORT JOINT PORTE SUPERIEURE POUR LAVE -CASSEROLE SOPORTE JUNTA PUERTA SOP. U61. .	
14	4109301	TIRANTE SPORTELLO 610 TIE-ROD, DOOR 610 ZUGSTAB, TÜR 610 TIRANT VOLET 610 TIRANTE PUERTA 610	
15	41095	BUSSOLA TIRANTE PORTA 610/610H BUSHING, DOOR TIE-ROD 610/610H BUCHSE, TÜRZUGSTAB 610/610H DOUILLE TIRANT PORTE 610/610H CASQUILLO TIRANTE PUERTA 610/610H	

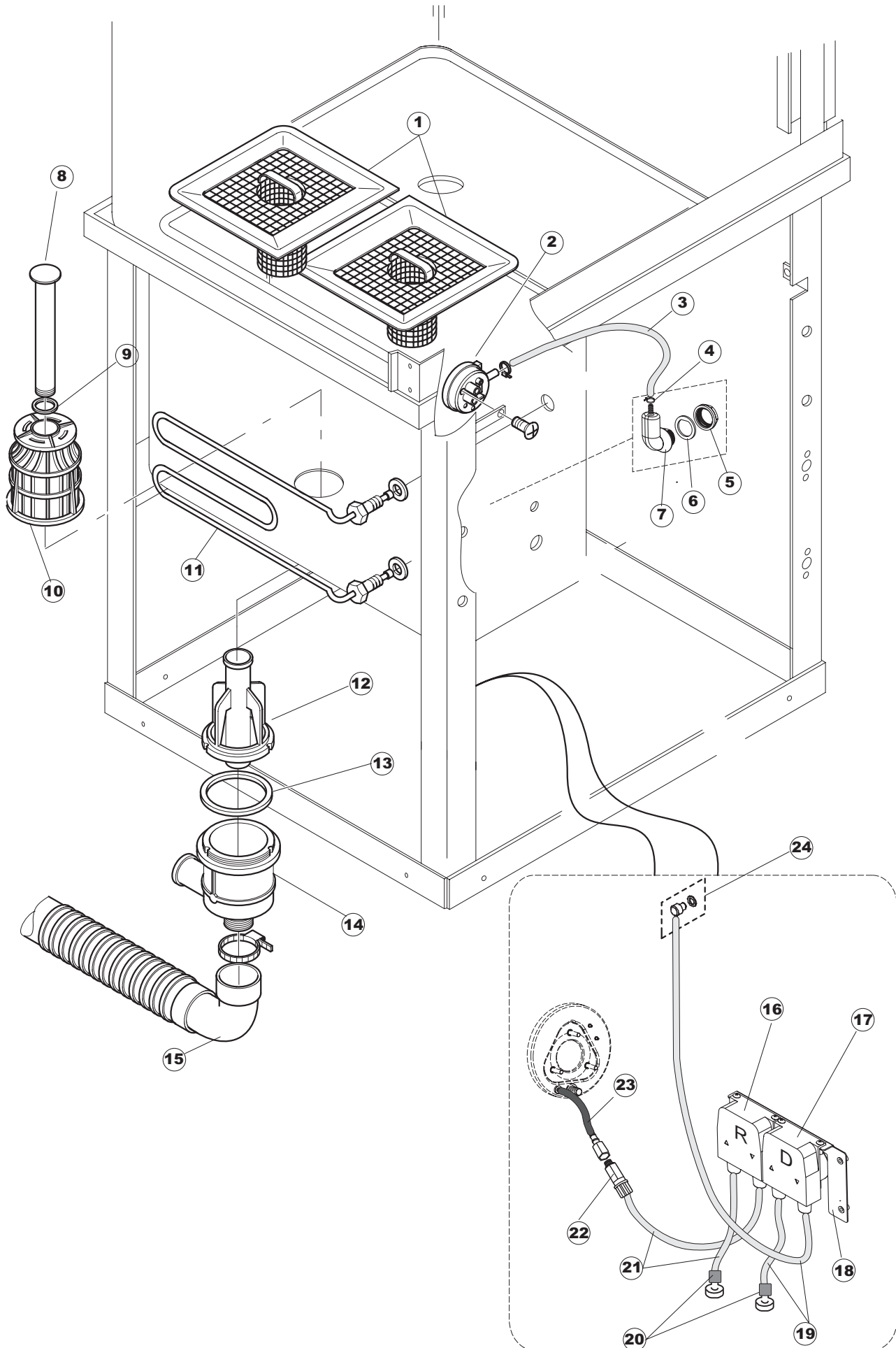
16	486078	VITE TC-CE M6X40 INOX SCREW TC-CE M6X40 INOX SCHRAUBE TC-CE M6X40 INOX VIS TC-CE M6X40 INOX TORNILLO TC-CE M6X40 INOX	
17	929199	PIEDINO BATTUTA TIPO 30191.1.2(NERO) FOOT, BUFFER TYPE 30191.1.2 (NOIR) STÜTZFUSS, ANSCHLAG TYP 30191.1.2 (SCHWARZ) PIED FEUILL. TYPE 30191.1.2(NOIR) PATA TOPE TIPO 30191. 1. 2(NEGRO)	
18	43527	PROTEZIONE GUARD SCHUTZVERKLEIDUNG PROTECTION SOPORTE DE PROTECCION	
19	41539	GUIDA CESTO RACK GUIDE KORBFUEHRUNG COULISSE PANIER GUIA CESTA	
20	4113501	SPESSORE LAT.SPORTELLO SIDE THICKNESS FOR DOOR SEITL. EINLEGERING FÜR TÜR EPAISSEUR LAT. VOLET GROSOR LAT. PUERTA	
21	4114501	PIASTRINA PERNO SPORTELLO U61.. PLATE, DOOR PIN U61.. PLATTE, TÜRANGEL U61.. PLAQUE PIVOT VOLET U61.. PLANCHITA PERNO PUERTA U61. .	
22	41622	PANNELLO RETRO INFERIORE REAR PANEL RUECKWANDVERKLEIDUNG PANNEAU ARRIERE PANEL PARTE POSTERIOR INFERIOR	
23	927006	PIEDE REGOLABILE X TRAINO FOOT, ADJUST. FOR TACK CONVEYOR VERSTELLFUSS FÜR KORBTR. PIED REGLABLE POUR AVANC. PATA REGULABLE X ACCION.	
24	41275	MANIGLIA INOX (AD ARCO) MANIJA INOX (ARQUEADA)	



Pagina 2

1	41416	COPERCHIO COVER DECKEL COUVERCLE TAPA PANEL	
2	80350	CONTAT 230-50/60HZ 3RT1016-1AP01 CONTACT, 230-50/60HZ 3RT1016-1AP01 KONTAKT, 230-50/60HZ 3RT1016-1AP01 CONTACT 230-50/60HZ 3RT1016-1AP01 VER CODIGO 229037	
3	41415	PANNELLO PANEL PANEEL PANNEAU PANEL PORTACOMPONENTES	
4	215032	SCHEDA ELETTRONICA GET50 MAIN BOARD KARTE CARTE ELECTRONIQUE TARJETA CHORROS50 MICRO 644	
5	CWP2	PIEDINI SUPPORTO SCHEDA ELET.(ART.DRA6A) FEET, ELECTR.CARD SUPPORT(ART.DRA6A) STÜTZFÜSSE FÜR PLATINE (ART.DRA6A) PIEDS SUPPORT FICHE ELECTR.(ART.DRA6A) PATAS SOPORTE TARJETA ELECT. (ART.DRA6A)	
6	228012	FUSIBILE 5X20 T160MA FUZE SICHERUNG FUSIBLE FUSIBLE 5X20 T160MA	
7	228011	FUSIBILE 5X20 T2A FUZE SICHERUNG FUSIBLE FUSIBLE 5X20 T2A	
8	228004	FUSIBILE 5X20 4A FAST FUZE, 5X20 4A FAST SICHERUNG, 5X20 4A FAST FUSIBLE 5X20 4A FAST FUSIBLE 5X20 4A FAST	
9	220011	* MORSETTIERA 5.POLI + TERRA FV.122 * TERMINAL BOARD, 5-POLES + EARTH FV.122 * KLEMMENBRETT, 5-POLIG + ERDUNG FV.122 * PLAQUE A BORNE 5POLES + TERRE FV.122 * BORNERO 5. POLOS + TIERRA FV. 122	
10	929115	RELE 16A 230V 62.82 RELAY 16A 230V 62.82 RELAIS 16A 230V 62.82 RELAIS 16A 230V 62.82 RELE 16A 230V 62. 82	
11	DEP521	PRESSACAVO PG21 (BER 4721) CABLE GLAND PG21 (BER 4721) KABELSCHELLE PG21 (BER 4721) SERRE CABLE PG21 (BER 4721) SUJETA-CABLE PG21 (BER 4721)	
12	80997	CAVO ALIMENTAZIONE CABLE ALIMENTACION 5X2,5MM (H07RN-F)	
13	80934	CAVO FLAT COMANDI INFERIORI CAPOT CABLE FLAT CAPOT FLACHKABEL CABLE LIAISON CABLE FLAT MANDOS INFERIORES CAPOT	
14	417119	DADO M3 PLASTICA BIANCO NUT, M3 PLASTIC WHITE SCHRAUBENMUTTER, M3 KUNST. WEISS ECROU M3 PLASTIQUE BLANC TUERCA M3 PLASTICO BLANCO	
15	419036	SPACER SPACER, M3 ABSTANDSSTÜCK, M3 ENTRETOISE M3 DISTANCIADOR M3	

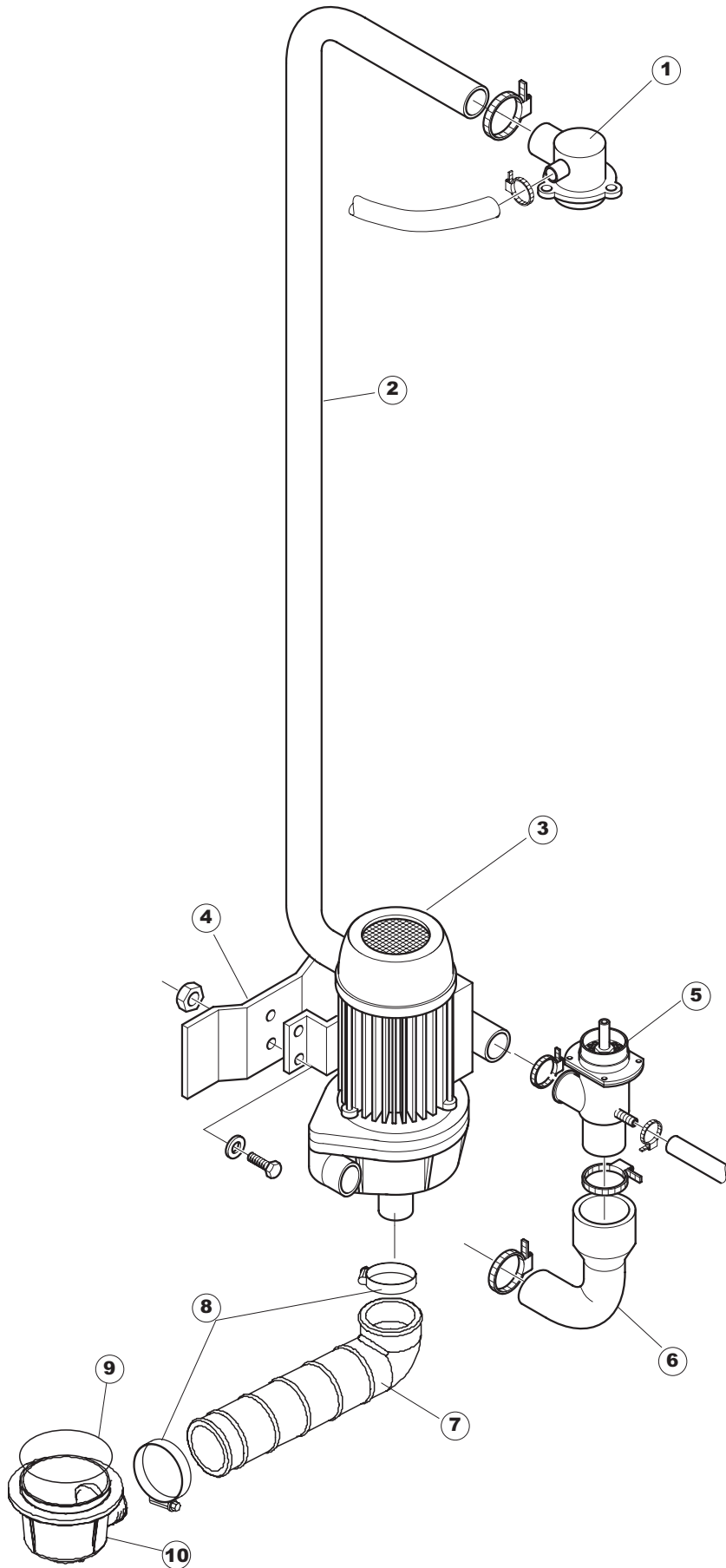
16	80889	TASTIERA COMANDI CONTROL KEYBOARD BEDINGUNGEN-TESTENBRETT TABLEAU A POUSSOIRS COMMANDES TECLADO DE MANDOS	
17	231016	SONDA TEMPERATURA TEMP. PROBE KUGEL SONDE SONDA TEMPERATURA (AMPOLLA ACERO)	
18	41124	PANNELLO ANTERIORE LP101-105 COMPLETO PANNELLO ANTERIORE LP101-105 COMPLETO PANEL DELANT. LP101-105 COMPLETO.	
19	41511	POLIESTERE POLIESTER LOD202-302-304-305 MBM	
20	69810	TENDINA COPERTURA TASTIERA PANNELLO ANTERIORE CURTAIN VORHANG RIDEAU CORTINA COPERTURA TECLADO PAN. DELANT.	



Pagina 3

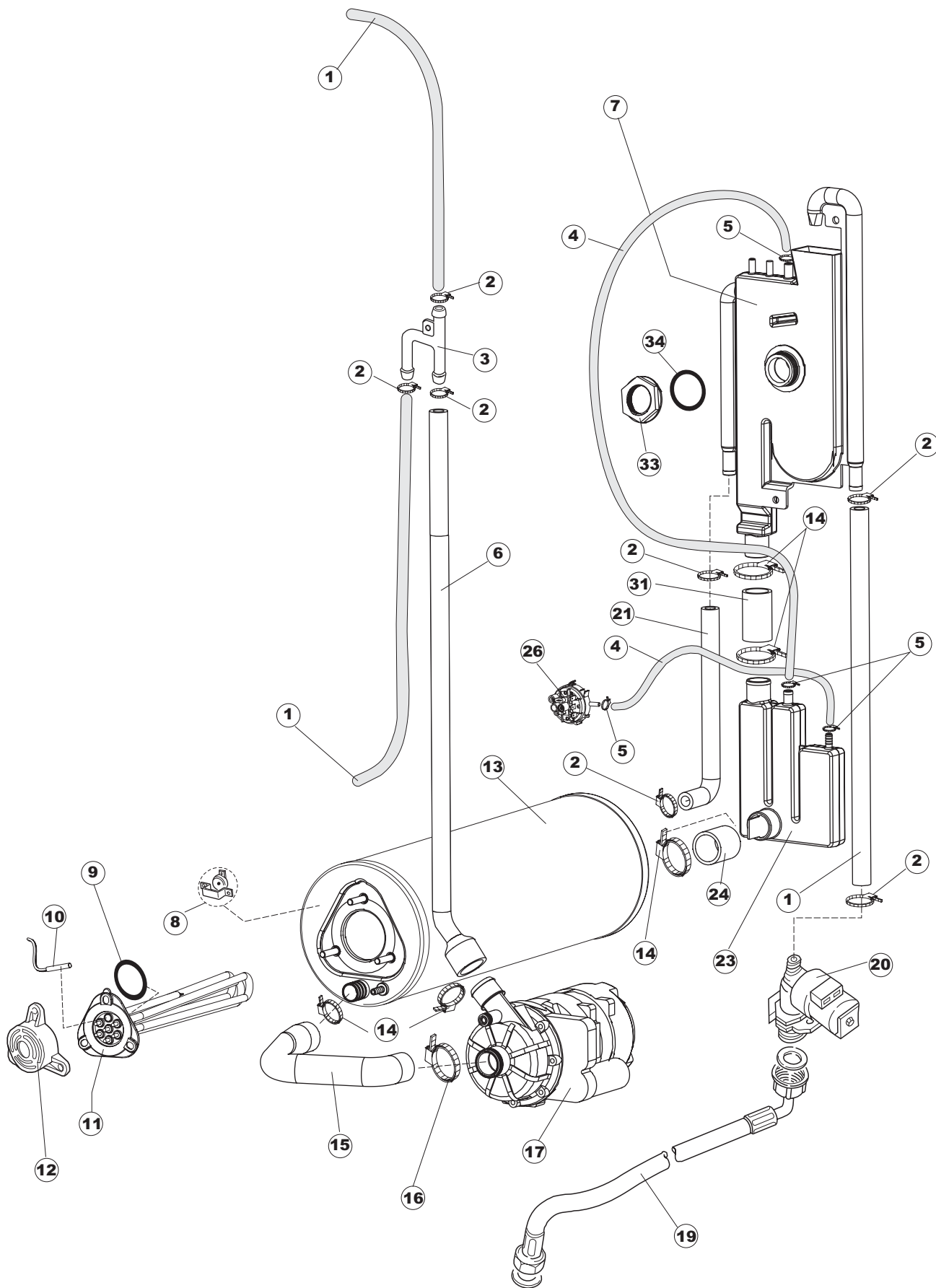
1	41157	FILTRO VASCA COMPLETO U61.. FILTER, TANK - COMPLETO U61.. FILTER, TANK - KOMPLETT U61.. FILTRE CUVE COMPLET U61.. FILTRO CUBETA COMPLETO U61. .	
2	926049	PRESSOSTATO 761999 180-70 PRESSURE SWITCH 761999 180-70 DRUCKSCHALTER 761999 180-70 PRESSOSTAT 761999 180-70 PRESOSTATO 761999 180-70	
3	143253	TUBO SILICONE 3X8 SILICON PIPE 3X8 SILIKONSCHLAUCH 3X8 TUYAU SILICONE 3X8 TUBO SILICONA 3X8	
4	CFF10073	FASCETTA A FILO 10073 COLLIER DE SERRAGE EN FIL D'ACIER 10073 SCHLAUCHSCHELLE 10073 WIRE HOSECLAMP 10073 ABRAZADERA CON HILO 10073	
5	417120	DADO PLASTICA GRIGIO PLASTIC NUT KUNSTSTOFFMUTTER 1-1/4 ECROU EN PLASTIQUE TUERCA PLASTICO GRIS	
6	437098	GUARNIZIONE NUOVA CAMP.PRESS. PACKING FOR AIR TRAP OF PRESSURE SWITCH DICHTUNG FUER LUFTFALLE JOINT PRISE D'AIRE PRESSOSTAT JUNTA NUEVA CAMP.PRES.	
7	107012	CAMPANA PRESSOSTATO (L) RV40-50-CAPOTE AIR TRAP LUFTFALLE PRISE D'AIR CAMPANA PRESOSTATO (L) RV40-50-CAPOTA	
8	80250	TROPPO PIENO RIVER 82/83 OVERFLOW RIVER 82/83 ÜBERLAUF RIVER 82/83 TROP-PLEIN RIVER 82/83 REBOSE RIVER 82/83	
9	CGR4131NT	O-RING 4131 VITON NERO SH.70 O-ring 4131 BLACK SCREW SH.70 O-RING 4131 SCHWARZE SCHRAUBE SH.70 O-RING 4131 VIS J11312 SH.70 O-RING 4131 VITON NEGRO SH. 70	
10	121081	FILTRO POMPA GRIGIO 44/TERZ. FILTER, PUMP GREY 44/TERZ. FILTER, PUMPE GRAU 44/TERZ. FILTRE POMPE GRIS 44/TERZ. FILTRO BOMBA GRIS 44/TERZ.	
11	80677	RESISTENZA VASCA 2500 W 230V MONOFASE HEATING ELEMENT 2,5KW 230V (S6268) ELEKTRISCHER RESISTANCE RESISTENCIA CUBETA 2,5KW 230V	
12	80470	GHIERA SCARICO RING NUT, DRAIN GEWINDERING, ABLAUF BAGUE VIDANGE VIROLA DESCARGA COLG.VER COD.429038	
13	456040	OR 201 NBR70 22 O-ring 201 NBR70 22 O-Ring 201 NBR70 22 OR 201 NBR70 22 OR 201 NBR70 22	
14	136020	CORPO ASPIRAZIONE/SCARICO 22/44 INTAKE/DRAIN BODY 22/44 GEHAUSE, EINLASS/ABLASS 22/44 CORPS ASPIRATION/VIDANGE 22/44 CUERPO ASPIRACION/DESCARGA 22/44	
15	143136	TUBO SCARICO VERS.NE INTEGR.22 PIPE, DRAIN - INTEGR. VERSION 22 ABLASSROHR - VOLLST. VERSION 22 TUYAU VIDANGE VERS.NE INTEGR.22 TUBO DESCARGA VERSION INTEGR. 22	

16	209024	DOSAT.PERIST.BRILLANTANTE NON REG. PERISTALTIC DISPENSER PERISTALTISCHES DOSIERGERAET REINIGER DOSEUR PÉRISTALTIQUE DOSIFIC.PERIST. ABRILLANTADOR NO REG.	
17	209022	DOSAT.PERIST.DETERGENTE NON REG. PERISTALTIC DISPENSER PERISTALTISCHES DOSIERGERAET KLARSPUELER DOSEUR PÉRISTALTIQUE DOSSIFIC.PERIST.DETERGENTE NO REG.	
18	80675	STAFFA DOSATORI PERISTALTICI BRACKET TRAGBUEGEL ETRIER SOPORTE DOSIFICADORES PERIST. PG ACABADO	
19	143194	TUBO 4x6 CRISTAL TRASPARENTE PIPE 4x6 CRISTAL, TRANSP. ROHR 4x6 CRISTAL, DURCHS. TUYAU 4x6 CRISTAL TRANSPARENT TUBO 4x6 CRISTAL TRASPARENTE	
20	121075	FILTRO ASPIR.INOX(775239-001) FILTER, SUCT.INOX (775239-001) FILTER, ABSAUG.INOX (775239-001) FILTRE ASPIR.INOX(775239-001) FILTRO ASPIR. INOX(775239-001)	
21	H.775601	TUBO 4x6 CRISTAL BLUE PVC PIPE 4x6 CRISTAL BLUE PVC ROHR 4x6 CRISTAL BLAU PVC TUYAU 4x6 CRISTAL BLEU PVC TUBO 4x6 CRISTAL AZUL PVC	
22	468201	RACCORDO CALZATUBO PER INIEZ.BRILL. CONNECTION VERBINDER FUER SCHLAUCH TP 5X11 UND VENTIL 468200 RACCORD EMPALME CALZATUBO PARA INYECC. ABRILL.	
23	143005	TUBO PRESS.TP 5x11 (CASER/15/NL C4N) PIPE, PRESSURE SWITCH TP 5x11 (CASER/15/NL C4N) SCHLAUCH TP 5X11 (CASER/15/NL C4N) TUYAU PRESS.TP 5x11 (CASER/15/NL C4N) TUBO PRES. TP 5x11 (CASER/15/NL C4N)	
24	468151	RACCORDO ENTRATA SAPONE CPL NM * SALDATO UNION, EXTRA DET. CPL NM * WELDED TANKEINLAUF CPL NM* RACCORD ENTREE SAVON CPL NM * SOUDE EMPALME ENTRADA JABON CPL NM * SOLDADO	



Pagina 4

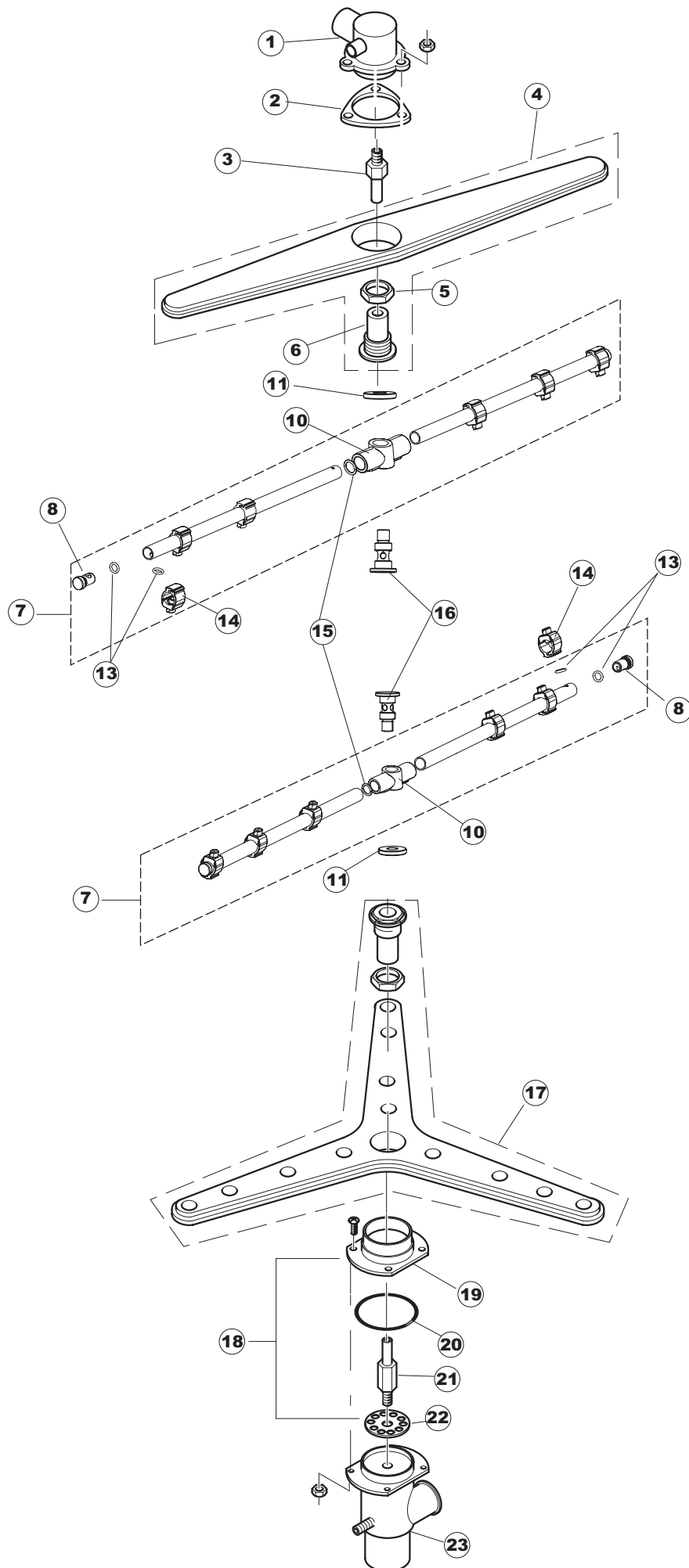
1	35602	CONDOTTA CENTRALE SUPERIORE LP92 CENTRAL PIPE, UPPER LP92 ZENTR.LEITUNG, OBEN LP92 CONDUITE CENTR. SUP. LP92 CONDUCTO CENTRAL SUPERIOR LP92	
2	41554	TUBO LAVAGGIO WASH PIPE SPUELLEITUNGAVAGE P/TUYAU LAVAGE TUBO LAVADO	
3	80115	EL.P 1,6KW 230-400V/50HZ (5295.4050) MOTORPUMP 1,6KW 230-400V/50HZ (5295.4050) ELEKTROPUMPE 1,6KW 230-400V/50HZ (5295.4050) EL.P 1,6KW 230-400V/50HZ (5295.4050) ELECTROBOMBA 1,6KW 230-400V/50HZ (5295.4050)	
4	41626	STAFFA POMPA	
5	4206301	RACCORDO LANCIA LAV.INF.EW610.. UNION, WASH.ARM LOW.EW610.. VERBINDUNGSST., SPÜLARM UNTEN EW610.. RACCORD RAMPE DE LAV.INF.EW610.. EMPALME LANZA LAV. INF. EW610. .	
6	41560	MANICOTTO COUPLING MUFFE MANCHON MANGUITO LAVADO	
7	80186	MANICOTTO ASPIRAZ.POMPA RIVER SLEEVE, SUCT.PUMP RIVER MUFFE, ABSAUG.PUMPE RIVER MANCHON ASPIRAT.POMPE RIVER MANGUITO ASPIRAC. BOMBA RIVER	
8	CFS3	FASCETTA A VITE TORRO W2B 60-80/12 CLAMP, HOSE-TYPE TORRO W2B 60-80/12 SCHELLE, SCHRAUBE TORRO W2B 60-80/12 BANDE DE SERRAGE A VIS TORRO W2B 60-80/12 ABRAZADERA CON TORNILLO TORRO W2B	
9	456040	OR 201 NBR70 22 O-ring 201 NBR70 22 O-Ring 201 NBR70 22 OR 201 NBR70 22 OR 201 NBR70 22	
10	136020	CORPO ASPIRAZIONE/SCARICO 22/44 INTAKE/DRAIN BODY 22/44 GEHAUSE, EINLASS/ABLASS 22/44 CORPS ASPIRATION/VIDANGE 22/44 CUERPO ASPIRACION/DESCARGA 22/44	



Pagina 5

1	143010	TUBO PRESS.TP 12X19.5 PIPE, PRESSURE SWITCH TP 12X19.5 ROHR, DRUCKSCHALTER TP 12X19.5 TUYAU PRESS.TP 12X19.5 TUBO PRES. TP 12X19. 5	
2	927322	FASCETTA NASTRO 14-24 CLAMP, TAPE 14-24 SCHLAUCHSCHELLE 12-22 BANDE DE SERRAGE CONVOYEUR 14-24 ABRAZADERA CINTA 12-22	
3	143173	GIUNZIONE RISC.PLAST.35/40/50 JOINT, RINSE PLAST.35/40/50 VERBIND., NACHSPÜLEN KUNST.35/40/50 JOINT RINC.PLAST.35/40/50 UNION ENJUAGUE PLAST. 35/40/50	
4	143005	TUBO PRESS.TP 5x11 (CASER/15/NL C4N) PIPE, PRESSURE SWITCH TP 5x11 (CASER/15/NL C4N) SCHLAUCH TP 5X11 (CASER/15/NL C4N) TUYAU PRESS.TP 5x11 (CASER/15/NL C4N) TUBO PRES. TP 5x11 (CASER/15/NL C4N)	
6	41525	TUBO MANDATA RISCIAQUO (CRP) PIPE, DELIVERY PIPE FOR RINSE (CRP) ZUFLUSSROHR FÜR NACHSPÜLEN (CRP) TUYAU REFOULEMENT RINCAGE (CRP) TUBO IMPULSION ENJUAGUE (CRP)	
7	144021	AIRGAP SPECIALE LA50 PLASTIC AIRGAP AIR GAP GEOFFNETER BEHAELTER AIRGAP SPECIAL LA50 AIRGAP ESPECIAL LA50	
8	926189	TERMOSTATO BOILER SIC.95ø THERMOSTAT, BOILER, SAF.95ø SICHERHEITSTHERMOSTAT BOILER 95° THERMOSTAT CHAUDIERE SEC. 95ø TERMOSTATO CALENTADOR SEG. 95ø	
9	456002	OR 48x6,2 O-ring 48x6,2 O-Ring 48x6,2 OR 48x6,2 OR 48x6,2	
10	231016	SONDA TEMPERATURA TEMP. PROBE KUGEL SONDE SONDA TEMPERATURA (AMPOLLA ACERO)	
11	230083C	KIT RESISTENZA REB230083 (6KW) KIT, RESISTANCE REB230083 (6KW) KIT, WIDERSTAND REB230083 (6KW) KIT RESISTANCE REB230083 (6KW) KIT RESISTENCIA REB230083 (6KW)	
12	69870	PROTEZIONE RESISTENZA BOILER BOILER HEATING ELEMENT PROTECTION HEIZUNGSSCHUETZ DES WARMWASSERBEREITERS PROTECTION RESISTANCE BOILER PROTECCION RESISTENCIA CALENTADOR	
13	104061	BOILER CRP LA50 BOILER CRP BOILER CRP SURCHAUFFEUR CRP CALENTADOR CRP LA50	
14	CFS18	FASCETTA A VITE TORRO 20-32/9 CLAMP, HOSE-TYPE TORRO 20-32/9 SCHLAUCHSCHELLE 20-32/9 BANDE DE SERRAGE A VIS TORRO 20-32/9 ABRAZADERA CON TORNILLO TORRO 20-32/9	
15	69068	MANICOTTO ASPIRAZ.CRP LA50 INTAKE COUPLING LA50 SAUGMUFFE LA50 MANCHON D'ASPIRATION MANGUITO ASPIRAC.CRP LA50	
16	423008	FASCETTA D20X32X9 TIPO TORRO ACC.W1 CLAMP, D20X32X9 TYPE TORRO ACC.W1 SCHLAUCHSCHELLE D20X32X9 TYP TORRO ACC.W1 BANDE DE SERR. D20X32X9 TYPE TORRO ACC.W1 ABRAZADERA D20X32X9 TIPO TORRO ENC. W1	

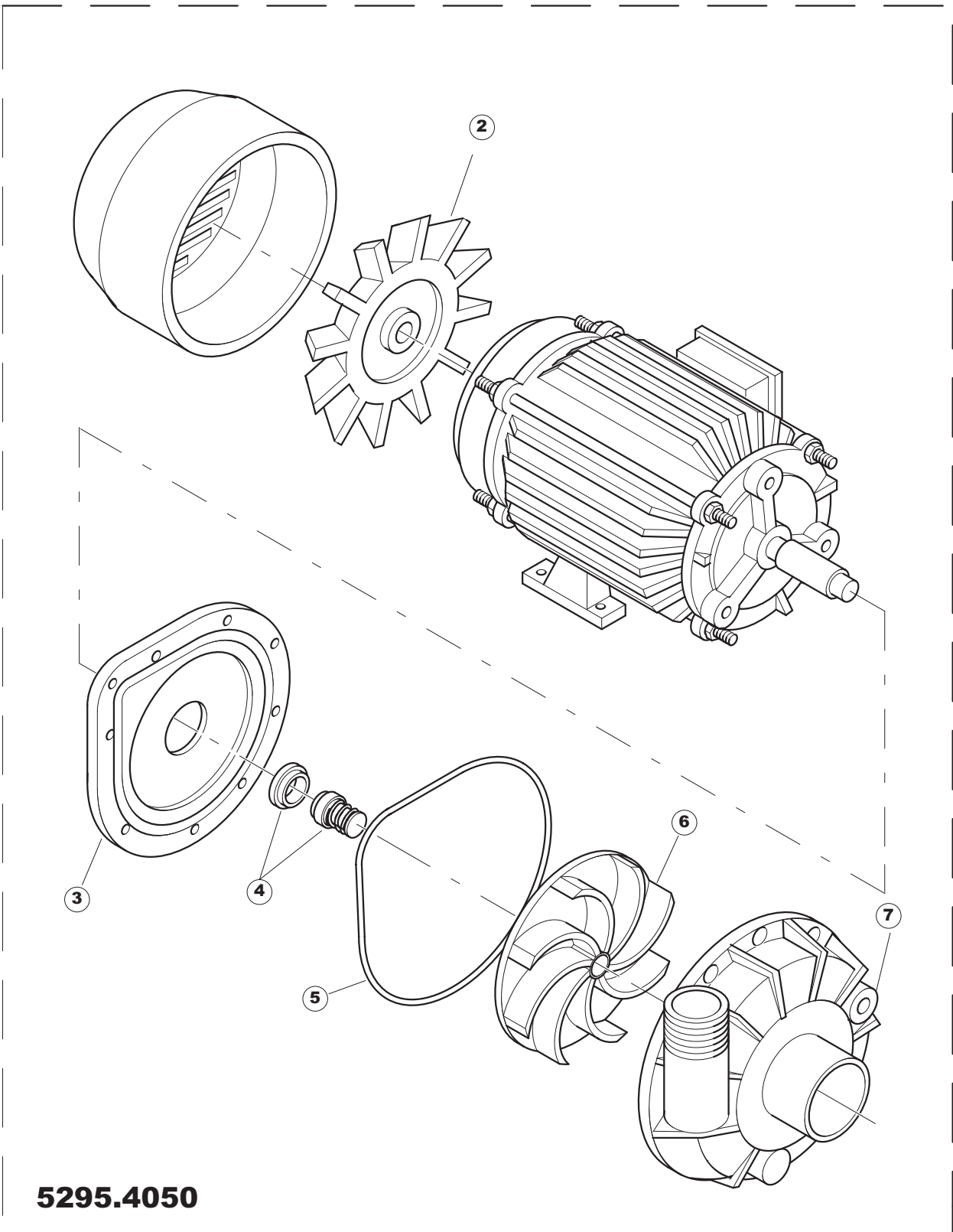
17	80627	ELETTROPOMPA 200W 230V-1PH-50HZ CON CONDENSATOR PUMP PUMPE POMPE ELECTROBOMBA ENJUAGUE 200W	
19	929169	TUBO DI CARICO DEL TERMOPLASTICO PIPE, THERMOPLASTIC DELIVERY ZULAUFSCHLAUCH, WASSER THERMOPLAST TUYAU DE CHARG. DU THERMOPLASTIQUE TUBO DE CARGA DEL TERMOPLASTICO	
20	240018	VALVOLA DI CARICO 1 VIA CRP LOADING S.VALVE 1-WAY CRP ZUFLUSSVENTIL 1-WEG CRP SOUPAPE DE CHARG. 1 VOIE CRP VALVULA DE CARGA 1 VIA CRP	
21	143131	TUBO GOMMA PIPE SCHLAUCH FUER DRUCKSCHALTER TUYAU VER CODIGO 143005	
23	144027	SISTEMA CARICAMENTO CRP PLASTIC AIRGAP AIR GAP GEOFFNETER BEHAELTER SISTEMA CARGA CRP	
24	127095	MANICOTTO BOILER->SISTEMA CRP MANIFOLD MUFFE MANGUITO CALENTADOR->SISTEMA CRP	
26	224002	PRESSOSTATO - 110/60 PRESSURE SWITCH - 110/60 DRUCKWAECHTER 110/60 PRESSOSTAT - 110/60 PRESOSTATO - 110/60	
31	929171	TUBO GOMMA 20X30 HOSE, RUBBER 20X30 SCHLAUCH, GUMMI 20X30 TUYAU CAOUTCHOUC 20X30 TUBO GOMA 20X30	
33	417125	DADO IN PLAST.CON COLLARE(171571) NUT MUTTER ECROU TUERCA DE PLAST.CON COLLAR(171571)	
34	437104	GUARNIZIONE D45D33S2 EPDM 70SH RUBBER GASKET DICHTUNG JOINT JUNTA D45D33S2 EPDM 70SH	



Pagina 6

1	35602	CONDOTTA CENTRALE SUPERIORE LP92 CENTRAL PIPE, UPPER LP92 ZENTR.LEITUNG, OBEN LP92 CONDUITE CENTR. SUP. LP92 CONDUCTO CENTRAL SUPERIOR LP92	
2	437064	GUARNIZIONE COND.CENTR.SUP.50 GASKET, MANIFOLD, CENTR.UPP.50 DICHTUNG, SAMMELLEITUNG, ZENTR.OB.50 JOINT COND.CENTR.SUP.50 JUNTA COND. CENTR. SUP. 50	
3	80282	ALBERO PERNO RISC.RIVER SHAFT, WASH RINSE RIVER WELLE, ZAPFEN NACHSPÜLEN RIVER ARBRE PIVOT RINC.RIVER EJE PERNO ENJUAGUE RIVER	
4	80311	PETTINE LAVAGGIO RIVER CAPOT COMB, WASHING RIVER CAPOT KAMM, SPÜLEN RIVER-DURCHSCHUBSPÜLAUTOM. PEIGNE LAVAGE RIVER CAPOT PEINE LAVADO RIVER CAPOT	
5	80314	DADO LANCIA LAVAGGIO GRIGIO NUT, WASH-ARM GREY SCHRAUBENMUTTER, SPÜLLANZE GRAU ECROU RAMPE DE LAVAGE GRIS VER CODIGO 926128	
6	80310	SUPPORTO LANC/LAVAGGIO (RAL7001) SUPPORT, WASH-ARM/WASH. (RAL7001) HALTER, SPÜLLANZE/SPÜL. (RAL7001) SUPPORT RAMPE DE LAVAGE (RAL7001) SOPORTE LANC/LAVADO (RAL7001)	
7	41673	BRACCIO RISCIAQUO ROTATING RINSE ARM FOR POT AND PAN WASHE R NACHSPUELUNGSARM - DREHBAR - FUER KOCHTO EPFESPU TOURNIQUET DE RINCAGE POUR LAVE-CASSEROL ES BRAZO ENJUAGUE	
8	926132	TAPPO PL.X BRACCIO DI RISC.(DWT312) CAP, PLASTIC FOR WASH. ARM (DWT312) PFROPFEN, KUNST. FÜR NACHSPÜLARM (DWT312) BOUCHON PL.POUR BRAS DE RINC.(DWT312) TAPON PL. X BRAZO DE ENJUAGUE (DWT312)	
10	69632	CORPO PETTINE ARM BODY KOERPER DES NACHSPUELARMES CORPS BRAS CUERPO PEINE ENJUAGUE.	
11	80679	GHIERA ULTRA RINSE INOX NUT RING BAGUE VIROLA ULTRA RINSE INOX	
13	CGR106	O-RING 106 GOMMA NITR. (6,75 X 1,78 NBR) O-ring 106 NITRILE RUBBER (6,75 X 1,78 NBR) O-RING 106 NITRILGUMMI (6,75 X 1,78 NBR) O-RING 106 CAOUTCHOUC NITRYLE (6,75 X 1,78 NBR) VER CODIGO 456030	
14	80373	SPRUZZATORE RISCIAQUO SPRAYER, RINSE SPRITZDÜSE, NACHSPÜLEN GICLEUR RINCAGE VER CODIGO 140028	
15	456019	OR 2037 O-ring 2037 O-Ring 2037 OR 2037 OR 2037	
16	80644	PERNO	
17	929195	LANCIA DI LAV.TRIANGOLARE COMPL.U61 COMPLETE TRIANGULAR WASH LANCE U61 DREIECKIGER WASCHARM KOMPL. U61 LANCE DE LAVAGE TRIANGULAIRE COMPLETE U61 LANZA DE LAV.TRIANGOLARE COMPL.U61	

18	41064CP	CONTROFL.SUP.LANCIA LAV.U61/61H COUNTER-FLANGE, SUPP. FOR ARM-WASH U61/61H GEGENFLANSCH, OB. FÜR SPÜLLANZE U61/61H CONTRE-BRIDE SUP.RAMPE DE LAV.U61/61H CONTRABRIDA SUP. LANZA LAV. U61/61H	
19	41064	VEDI CODICE C.41064CP SEE CODE C.41064CP SIEHE SERIENN. C.41064CP VOIR CODE C.41064CP CONTRABRIDA SUP. LANZA LAV. LP	
20	926252	OR 4275 O-ring 4275 O-Ring 4275 OR 4275 OR 4275	
21	42053	PERNO LANCIA LAV.INFER.U61 PIN, LOW.WASH. WASH-ARM U61 ZAPFEN, UNT.SPÜLLANZE U61 PIVOT RAMPE DE LAV.INFER.U61 PERNO LANZA LAV. INFER. U61	
22	41185	PARZIALIZZATORE PL. DRAUGHT SHUTTER PL. DROSSELGERAT PL. ETRANGLEUR PL. PARCIALIZADOR PL.	
23	4206301	RACCORDO LANCIA LAV.INF.EW610.. UNION, WASH.ARM LOW.EW610.. VERBINDUNGSST., SPÜLARM UNTEN EW610.. RACCORD RAMPE DE LAV.INF.EW610.. EMPALME LANZA LAV. INF. EW610. .	



Pagina 7

1	80115	EL.P 1,6KW 230-400V/50HZ (5295.4050) MOTORPUMP 1,6KW 230-400V/50HZ (5295.4050) ELEKTROPUMPE 1,6KW 230-400V/50HZ (5295.4050) EL.P 1,6KW 230-400V/50HZ (5295.4050) ELECTROBOMBA 1,6KW 230-400V/50HZ (5295.4050)	
2	80122	FLANGIA CON SCUDO PUMP FLANGE (5295.4050) FLANSCH PUMPE (5295.4050) FLASQUE POMPE (5295.4050) BRIDA CON SCUDO E.BOMBA (5295.4050)	
3	80121	TENUTA ROTANTE POMPA(AB122414B/AC1326B SEAL, REVOLVING, PUMP(AB122414B/AC1326B DICHTUNG, ROTIER. - PUMPE(AB122414B/AC1326B JOINT PIVOTANT POMPE(AB122414B/AC1326B ESTANQ. ROTOR BOMBA(AB122414B/AC1326B	
4	80120	GUARNIZIONE EL-POMPA (5295.4050) GASKET, EL.PUMP (5295.4050) DICHTUNG, EL.PUMPE (5295.4050) JOINT ELECTROPOMPE (5295.4050) JUNTA ELECTROBOMBA (5295.4050)	
5	80119	GIRANTE E-POMPA (5295.4050) ELECTR.PUMP IMPELLER (5295.4050) LAUFRAD ELEKTROPUMPE (5295.4050) ROUE ELECTROPOMPE (5295.4050) ROTOR E-BOMBA (5295.4050)	
6	80118	CHIOCCIOLA EL-POMPA (5295.4050) ELECTROPUMP HOUSING PUMPENGEHAUSE VOLUTE POUR ELECTROPOMPE ESPIRAL EL-BOMBA (5295.4050)	