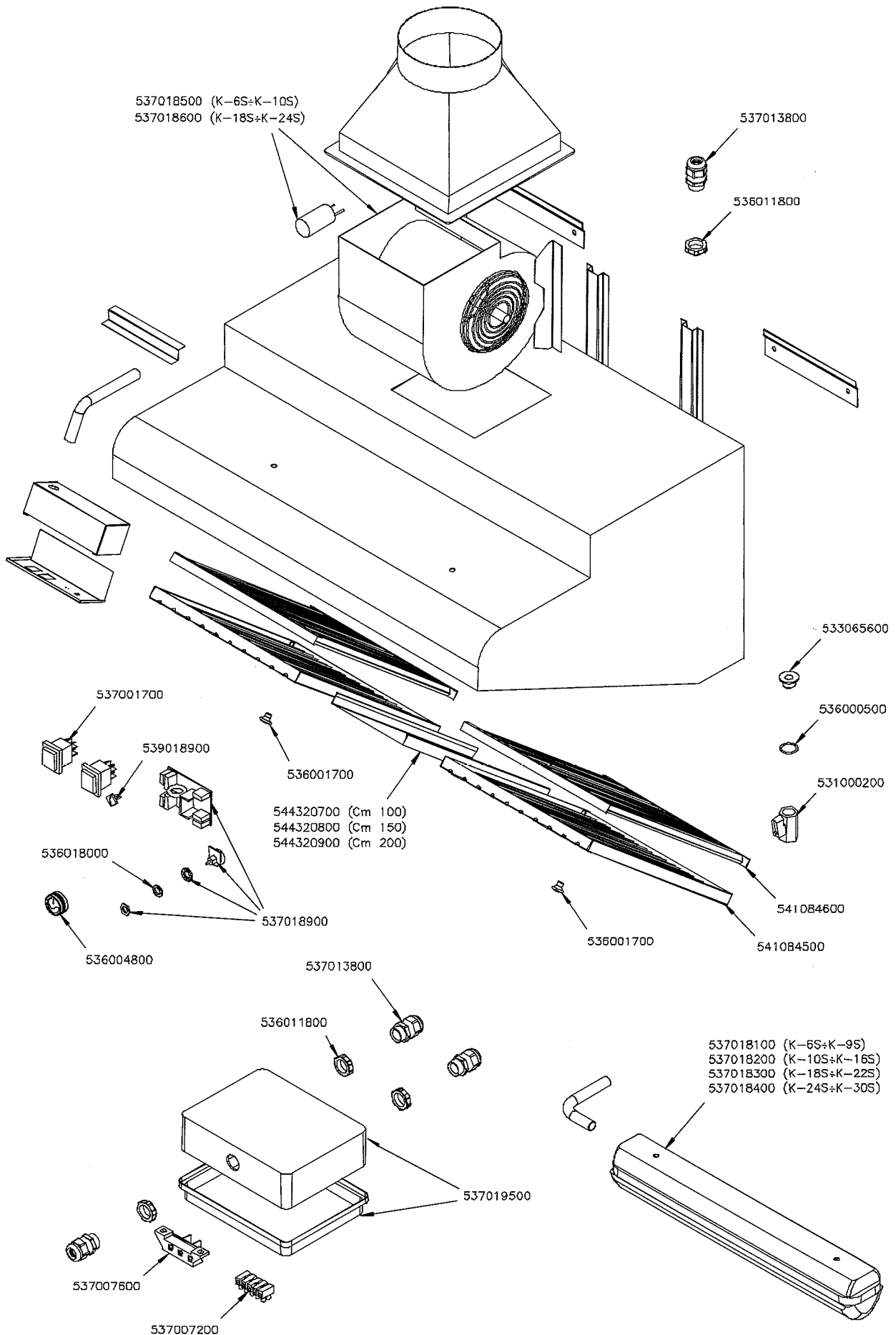


COMPLEMENTI ELETTRICI / OTHER ELECTRIC APPLIANCES / ELEKTRO ZUSATZGERÄTE / COMPLEMENTS NEUTRES ELECTRIQUES

K-6 K-8 K-9 K-10 K-12 K-14 K-15 K-16 K-18 K-20 K-22 K-24 K-26 K-28 K-30 K-6S K-8S K-9S K-10S K-12S K-14S K-15S K-16S K-18S K-20S K-22S K-24S K-26S K-28S K-30S



| Page | Pos | Code | Description |
|------|-----|-----------|-----------------------------------|
| 001 | | 537013800 | CABLE SECURING CLAMP PG-13,5 |
| 001 | | 536011800 | HEXAGONAL LOCK NUT PG-13,5 |
| 001 | | 537001700 | GREENLIGHTED BIPOLAR SWITCH |
| 001 | | 539018900 | INDEX FOR KNOB |
| 001 | | 536001700 | GRIP D.25*19*M6 |
| 001 | | 536018000 | |
| 001 | | 544320700 | PANEL FOR HOOD 100 |
| 001 | | 544320800 | PANEL FOR HOOD 150 |
| 001 | | 544320900 | PANEL FOR HOOD 200 |
| 001 | | 536004800 | KNOB FOR GRADUATED REGULATOR |
| 001 | | 537018900 | ELECTRONIC BOARD REGULATOR 600W |
| 001 | | 541084600 | BACK HOOD FILTER |
| 001 | | 541084500 | FACE HOOD FILTER |
| 001 | | 533065600 | FITTING FOR HOOD UNLOADING 3/8"G |
| 001 | | 536000500 | O-RING FOR MINISIT FITTING |
| 001 | | 531000200 | DRAIN COCK 3/8" FOR CANOPY |
| 001 | | 537018400 | HOOD BULB L=1570 WITH NEON |
| 001 | | 537019500 | ELECTRIC BOX FOR CANOPY |
| 001 | | 537007600 | TERMINAL BLOCK SINGLEPHASE 40A |
| 001 | | 537007200 | 5POLES TERMINAL BLOCK PA 27 WP NY |