

GC9082V/SC

GC9082V/SC

CATALOGO PARTI DI RICAMBIO
CATALOGUE PIECES DETACHEES
ERSATZTEILKATALOG
SPARE PARTS CATALOGUE





**Catalogo parti di ricambio valido
dalla matricola 1111332 (05.10.2015) ad oggi (09.01.2017)**

**Catalogue pieces detachees
valable à partir du numero de Série n. 1111332 (05.10.2015) jusqu'à aujourd'hui
(09.01.2017)**

**Ersatzteilkatalog
gültig ab Serien-Nr. 1111332 (05.10.2015) bis heute (09.01.2017)**

**Spare parts catalogue
valid from serial no. 1111332 (05.10.2015) up today (09.01.2017)**

**Catálogo de peças de reposição
válido do número de série 1111332 (05.10.2015) até hoje (09.01.2017)**

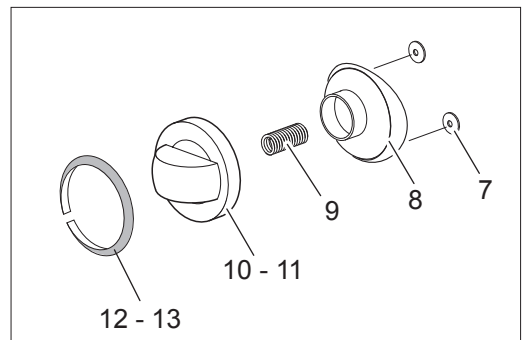
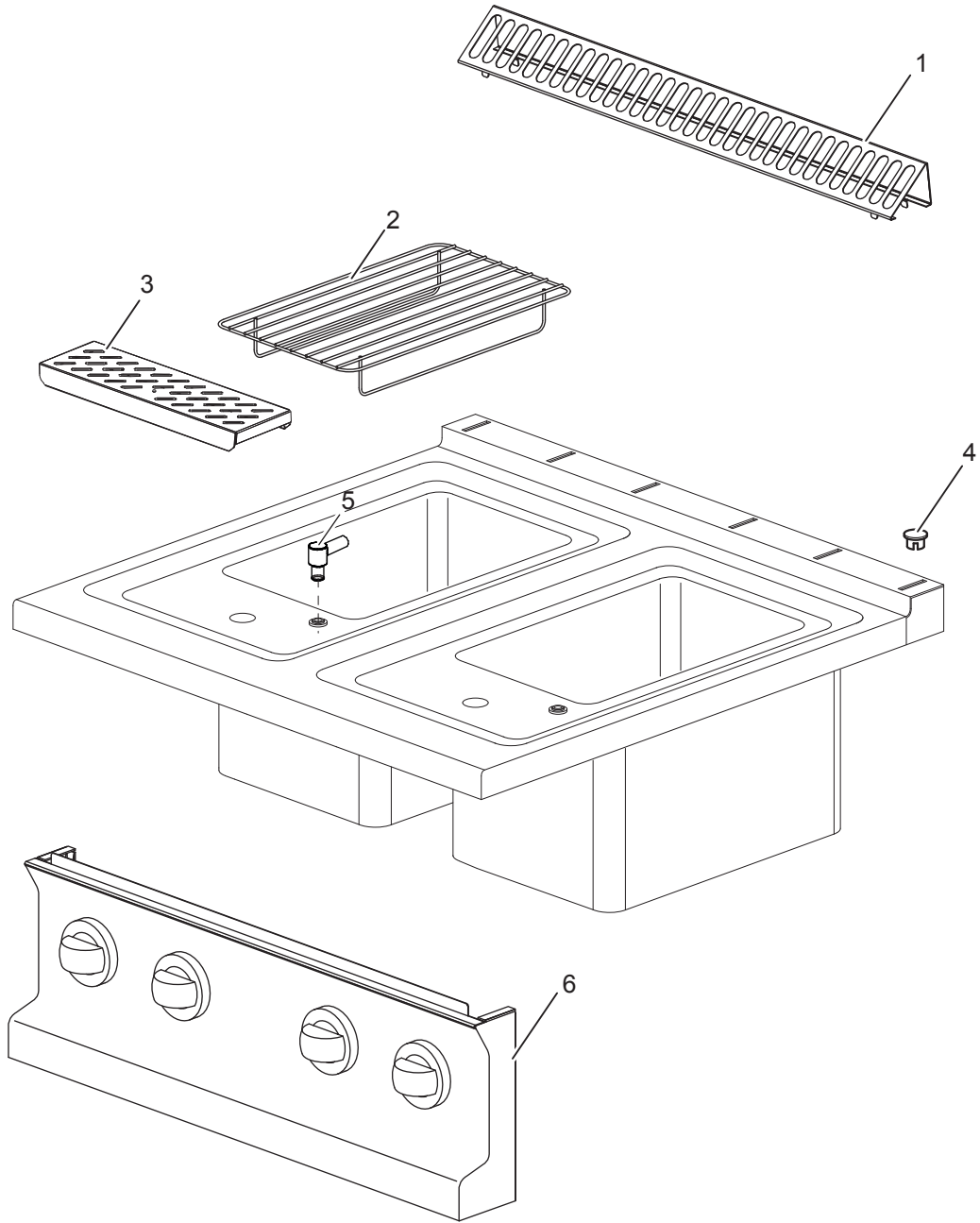
Le informazioni sono considerate non vincolanti. Le immagini rappresentate sono puramente indicative. Il produttore si riserva il diritto di apportare modifiche in qualsiasi momento senza preavviso.

Les informations données ne sont pas contraignantes. Les images montrées sont à titre indicatif. Le producteur se réserve le droit d'apporter des modifications sans préavis.

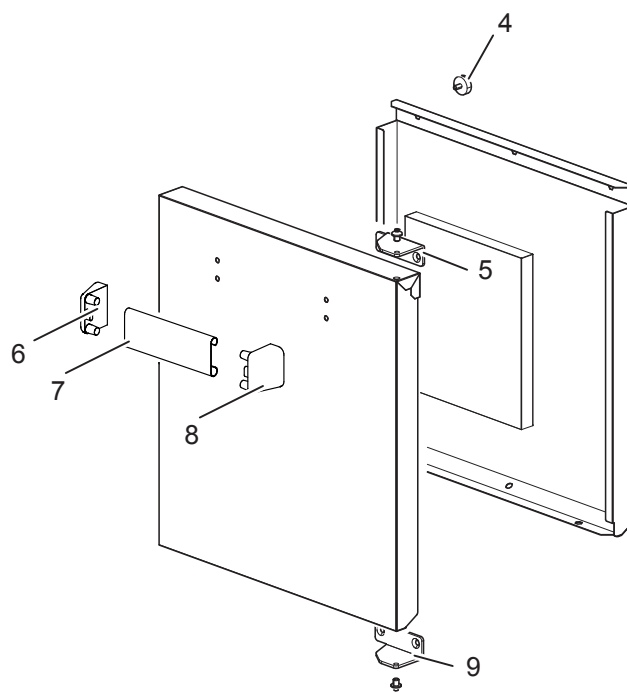
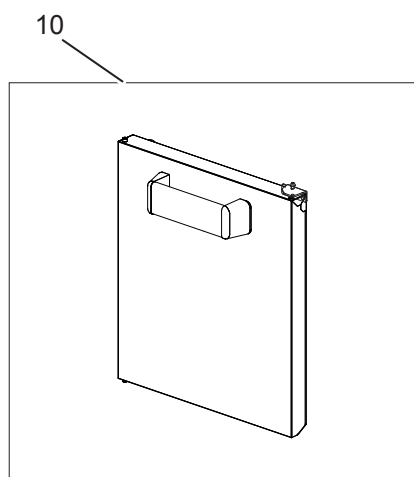
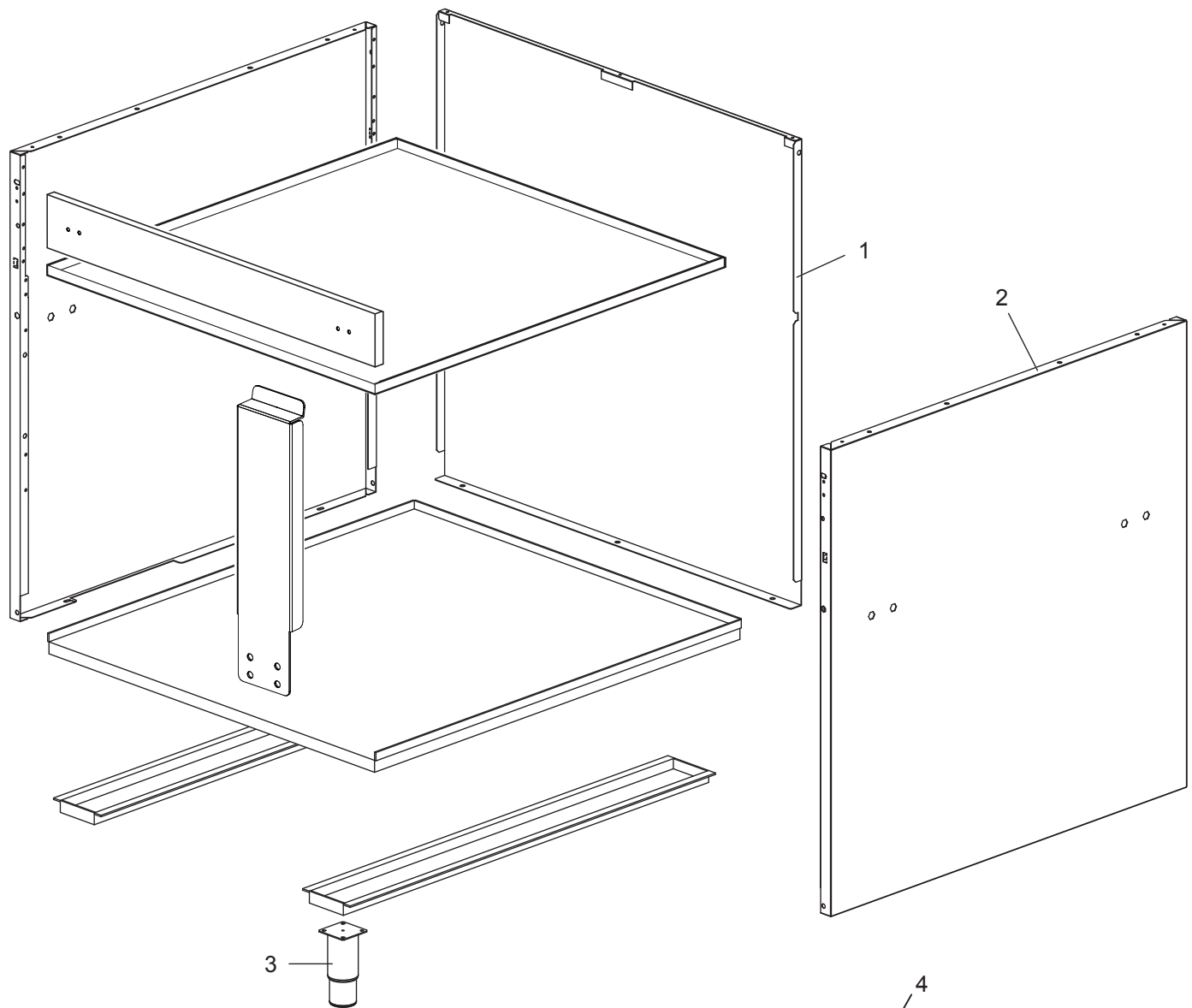
Die im vorliegenden Dokument aufgeführten Informationen und Bilder sind unverbindlich. Der Hersteller behält sich das Recht vor, jederzeit ohne vorherige Ankündigung Änderungen vorzunehmen

Info and drawing could be slightly different from reality and they cannot be considered as compelling. Manufacturer can modify info anytime without forewarning.

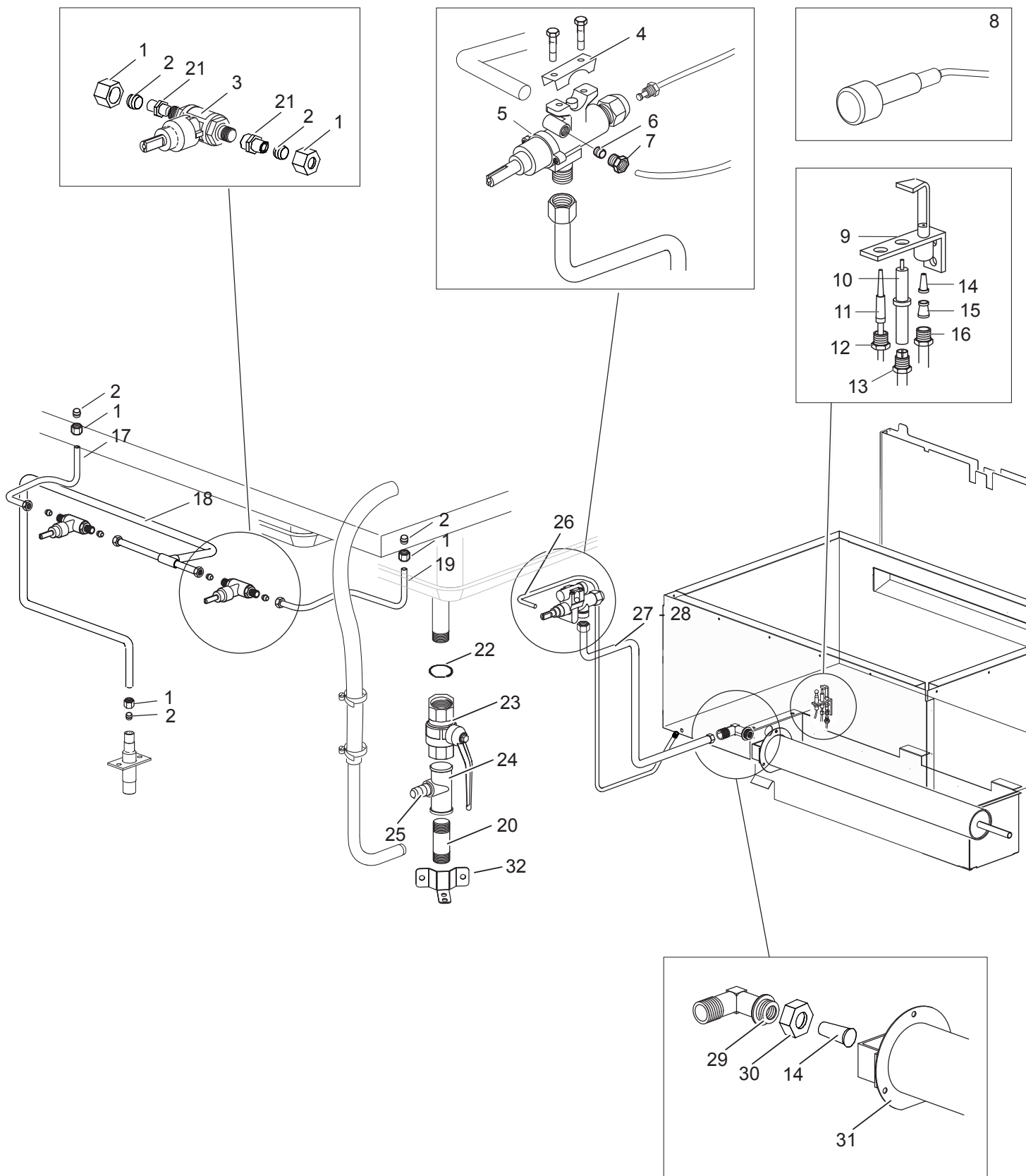
As Informações e desenhos podem estar um pouco diferente da realidade e são puramente indicativas. O fabricante pode modificar estas informações a qualquer momento sem aviso prévio.



| Nr. | Code | Title | Recommended |
|------------|-------------|---|--------------------|
| 1. | 180968 | <i>GRILLE POUR CHEMINÉE</i> | N |
| 2. | RTCU800343 | <i>GRILLE SUP.PANIER GC45/2 I.</i> | |
| 3. | 182451 | <i>BASKET SUPPORT</i> | N |
| 5. | 181308 | <i>WATER SPOUT</i> | N |
| 6. | 182352 | <i>CONTROL PANEL</i> | N |
| 10. | 169337 | <i>GAS VALVE KNOB BODY G4S6HH BLACK</i> | S |
| 11. | 169338 | <i>WATER KNOB</i> | S |
| 12. | 171520 | <i>KNOB RING</i> | |
| 13. | 169366 | <i>COLD WATER RING</i> | S |



| Nr. | Code | Title | Recommended |
|------------|-------------|---------------------------------------|--------------------|
| 1. | 180972 | <i>ARRIERE</i> | N |
| 2. | 180969 | <i>TOLE LATERAL</i> | N |
| 3. | RTCU700277 | <i>PIED+BOUCHON S.G4SF7/145</i> | N |
| 4. | 181529 | <i>DOOR MAGNET</i> | N |
| 5. | 176894 | <i>LEFT HINGE DOOR</i> | N |
| 6. | RTCU800001 | <i>TERMINAL MAN.F.G4S NOIR</i> | N |
| 7. | 168204 | <i>GRIFF A.NSA47 INOX 304 DIAMOND</i> | N |
| 8. | RTCU800001 | <i>TERMINAL MAN.F.G4S NOIR</i> | N |
| 9. | 176895 | <i>RIGHT HINGE DOOR</i> | N |
| 10. | RIC0004740 | <i>CABINET DOOR COMPLETE</i> | N |



| Nr. | Code | Title | Recommended |
|------------|-------------|--|--------------------|
| 1. | RTCU900013 | ECROU D.10 | N |
| 2. | RTCU900012 | BICONE D.10 | N |
| 3. | 184641 | ROBINET CHARGE EAU | |
| 4. | 167184 | SAFETY VALVE BRIDLE | S |
| 5. | 167997 | GAS TAP G4S77 | S |
| 6. | RTCU900018 | BICONE D.6 PEL0905 | S |
| 7. | RTCU900019 | ECROU D.6 PEL0903/1 | S |
| 8. | RIC0004096 | PIEZO UNIT | S |
| 9. | RTCP800034 | CORPS PILOTE G100 0140026 | S |
| 10. | RTCP800033 | BOUGIE D'ALLUMAGE RONDE G100 CAST0772183 | S |
| 11. | RTCU900474 | THERMOCOUPLE 75 0290087/TARGET | S |
| 12. | RTCP800038 | RACCORD T/C.PIL.GC47 0974036 | S |
| 13. | RTCU900215 | RACCORD CAND.TUYAU DE VIDANGE ST.0974037 | S |
| 14. | INIETTORE | SEE HANDBOOK NOZZLES | N |
| 15. | RTCU800183 | BICONE D.6 G4SF 0957010 | S |
| 16. | RTCU800182 | ECROU ALL.D.6 G4SF 0958047 | S |
| 17. | 184800 | CONDUIT ALIMENTATION ROBINET DE L'EAU | |
| 18. | 184801 | TUBE ALIMENTATION D'EAU | |
| 19. | 184960 | ALIMENTATION PIPE FOR WATER EROGATOR | |
| 20. | 165912 | DRAIN WATER PIPE | |
| 21. | RTCU900132 | NIPPLE 1/2"- 3/8" | N |
| 22. | 183846 | GASKET | N |
| 23. | 183863 | ROBINET DECHARGE EAU | N |
| 24. | RTCU800352 | CONNECTOR | N |
| 25. | RTCU800355 | WATER DRAIN PLUG | N |
| 26. | 182395 | BURNER PILOT PIPE | N |
| 27. | 182521 | LEFT FEEDING PIPE FOR BURNER | N |
| 28. | 182355 | RIGHT FEEDING PIPE FOR BURNER | N |
| 29. | RTCU900337 | SUPPORT INJECT.F+PLAQUE C4F | N |
| 30. | RTCU900005 | CONTRE-ECROU SUPP.INJEXT.PLAQUE | N |
| 31. | RTCU700285 | BRUL.GC77 14KW 103195400 | N |
| 32. | 184010 | PLATE | N |