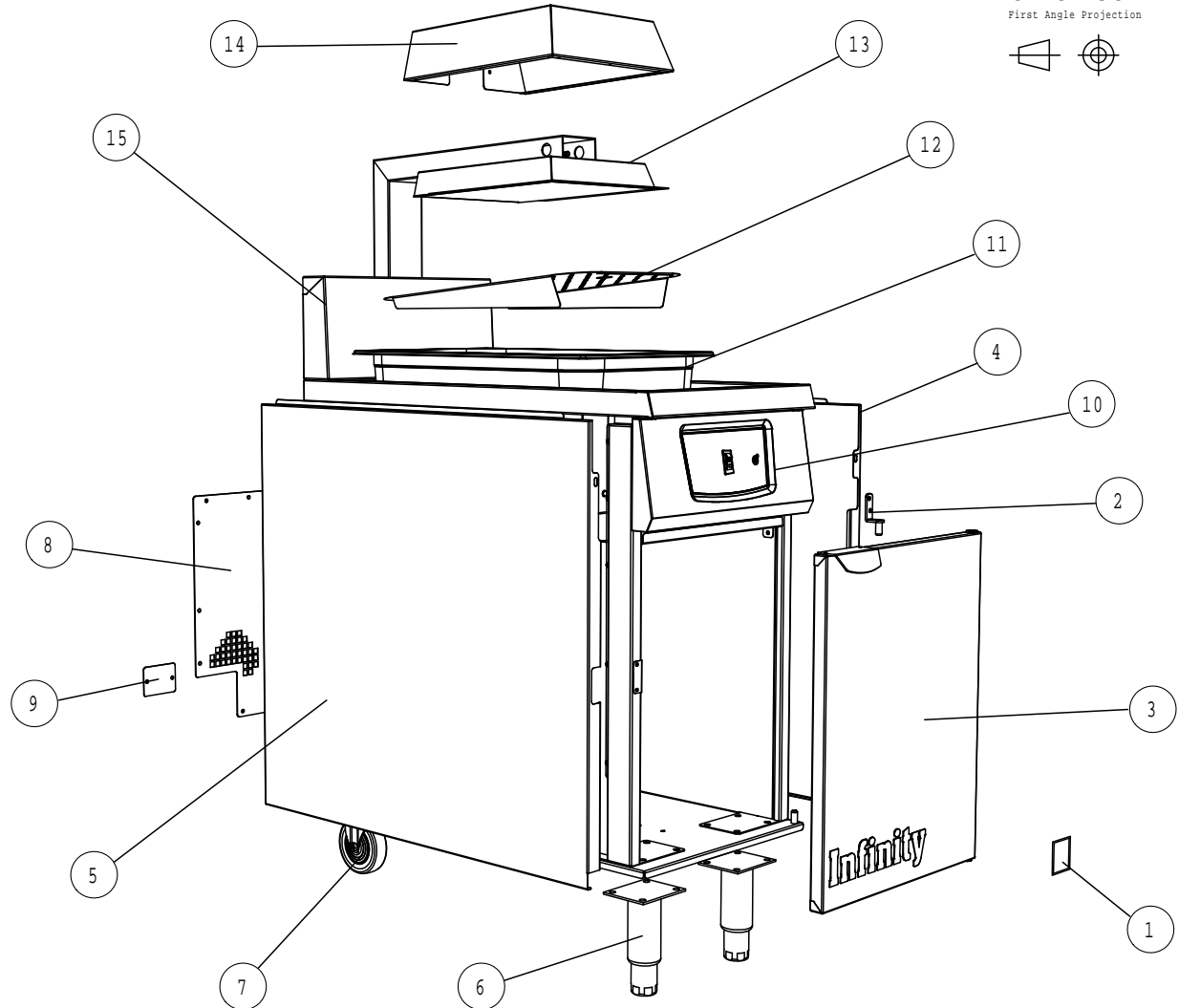


IF IN DOUBT ASK!!

DO NOT SCALE !!
First Angle Projection

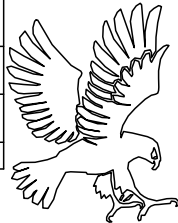
E2849 CHIP SCUTTLE - OUTER PANELS & FITMENTS

Part No.	Spares No.	Description
1	735700000	Falcon Badge
2	735700001	Door Hinge
3	735700002	Door Assembly
4	735700003	RH Outer Side
5	735700004	LH Outer Side
6	735700005	Adjustable Foot (1 Off)
7	735700006	Castor (1 Off)
8	735700007	Removable Outer Back
9	735700008	Cover plate
10	735700009	Control panel Assembly
11	735700010	Storage container
12	735700011	Container Drip plate
13	735700012	Element mounting
14	735700013	Element housing
15	735700014	Flue panel



All dimensions in millimetres, Tolerance- Linear $\pm 0.5\text{mm}$ Angular $\pm 0.5^\circ$ (or as stated). All sharp edges to be removed from sheet metal parts.

A		ISSUED TO BROWSER		S.BROWN	27/01/05
Issue	Mod No.	Alteration	Zone	Drawn by	Date



This part is common to the following units

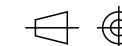
Drawn	S.BROWN	Product	E2849 CHIP SCUTTLE UK	
Date	26/01/05	Title	SPARES - OUTER PANELS & FITMENTS UK	
Scale	N.T.S.	Matl.	_____	Drawing Number
No. off	_____	Finish	_____	Issue
Bin No.	_____	Kraus No.	T111567	AD43571
				A

© No reproduction or publication of this drawing may be made and no article may be manufactured or assembled in accordance with this drawing without prior written consent. This prohibition is a term of any contract relating to this drawing. Rights reserved under the Copyright Act 1956 as amended by the Design Copyright Act 1968.

IF IN DOUBT ASK!!

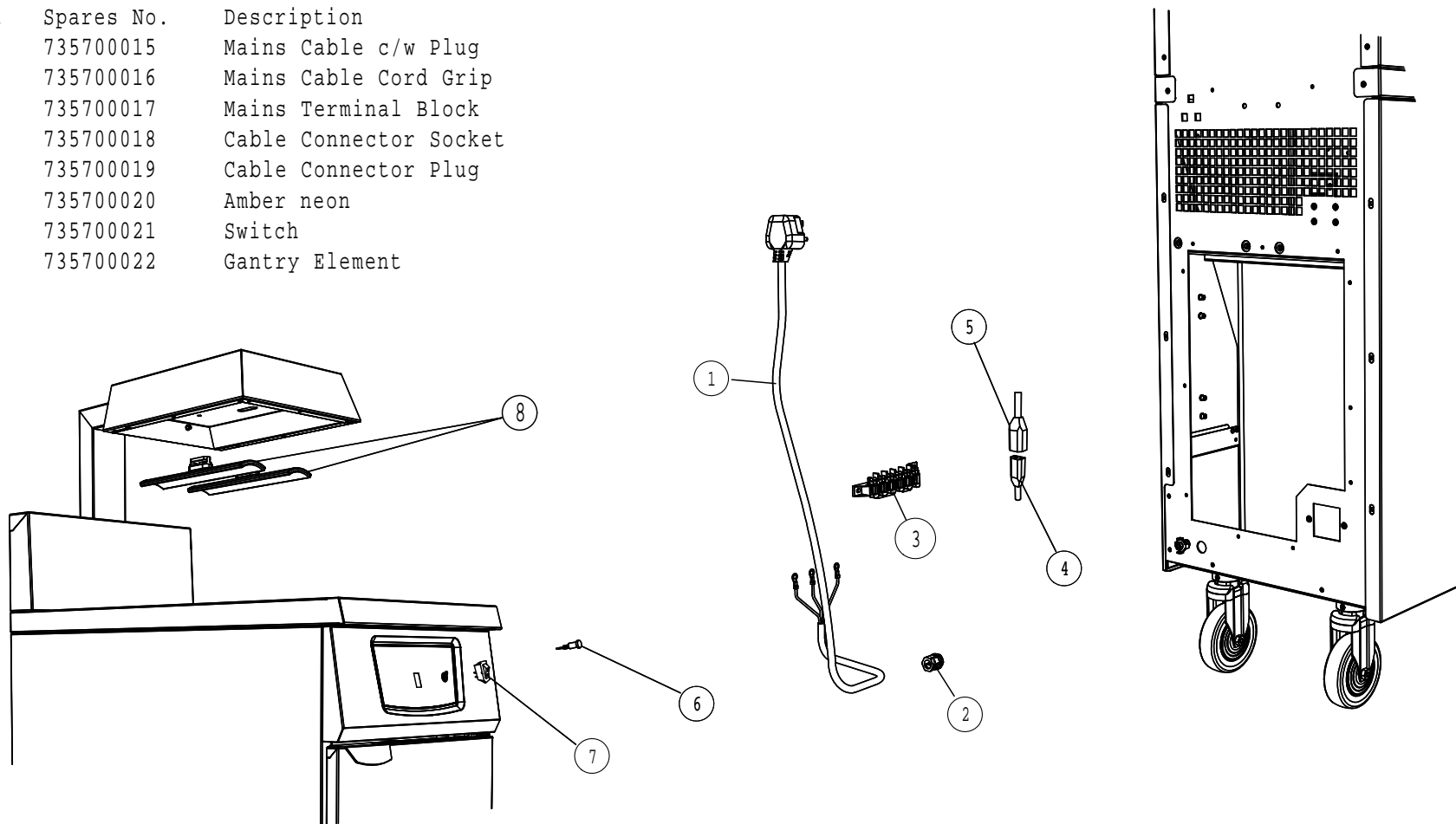
DO NOT SCALE !!

First Angle Projection



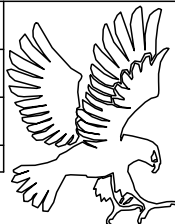
E2849 CHIP SCUTTLE - ELECTRICS

Part No.	Spares No.	Description
1	735700015	Mains Cable c/w Plug
2	735700016	Mains Cable Cord Grip
3	735700017	Mains Terminal Block
4	735700018	Cable Connector Socket
5	735700019	Cable Connector Plug
6	735700020	Amber neon
7	735700021	Switch
8	735700022	Gantry Element



All dimensions in millimetres, Tolerance- Linear $\pm 0.5\text{mm}$ Angular $\pm 0.5^\circ$ (or as stated). All sharp edges to be removed from sheet metal parts.

A		ISSUED TO BROWSER		S. BROWN	27/01/05
Issue	Mod No.	Alteration	Zone	Drawn by	Date



This part is common to the following units

Drawn	S. BROWN	Product	E2849 CHIP SCUTTLE UK	
Date	26/01/05	Title	SPARES - ELECTRICS UK	
Scale	N.T.S.			
Matl.	_____	Drawing Number		Issue
No. off	_____	Finish		
Bin No.		Kraus No.	T111568	
			AD43572	A

© No reproduction or publication of this drawing may be made and no article may be manufactured or assembled in accordance with this drawing without prior written consent. This prohibition is a term of any contract relating to this drawing. Rights reserved under the Copyright Act 1956 as amended by the Design Copyright Act 1968.