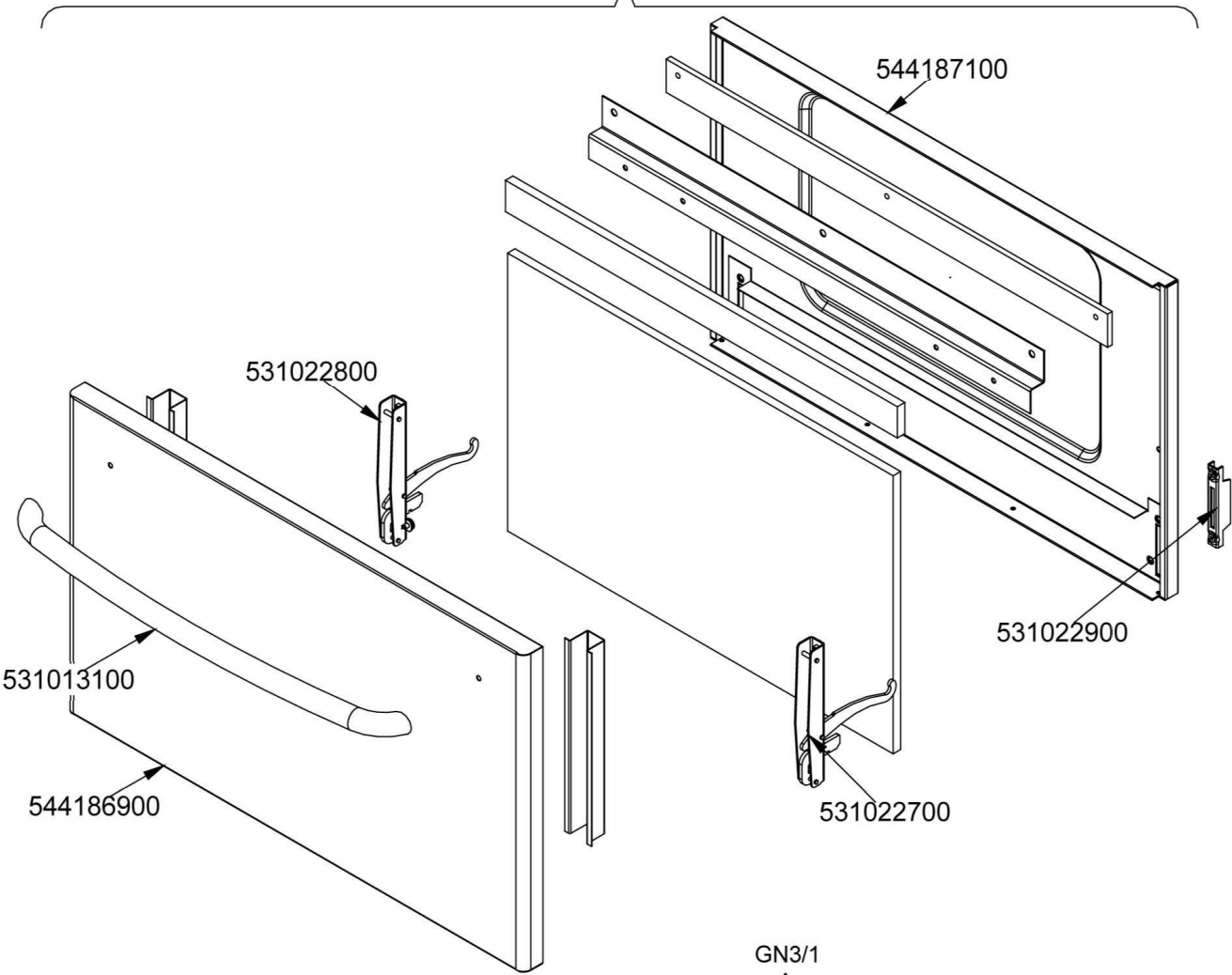
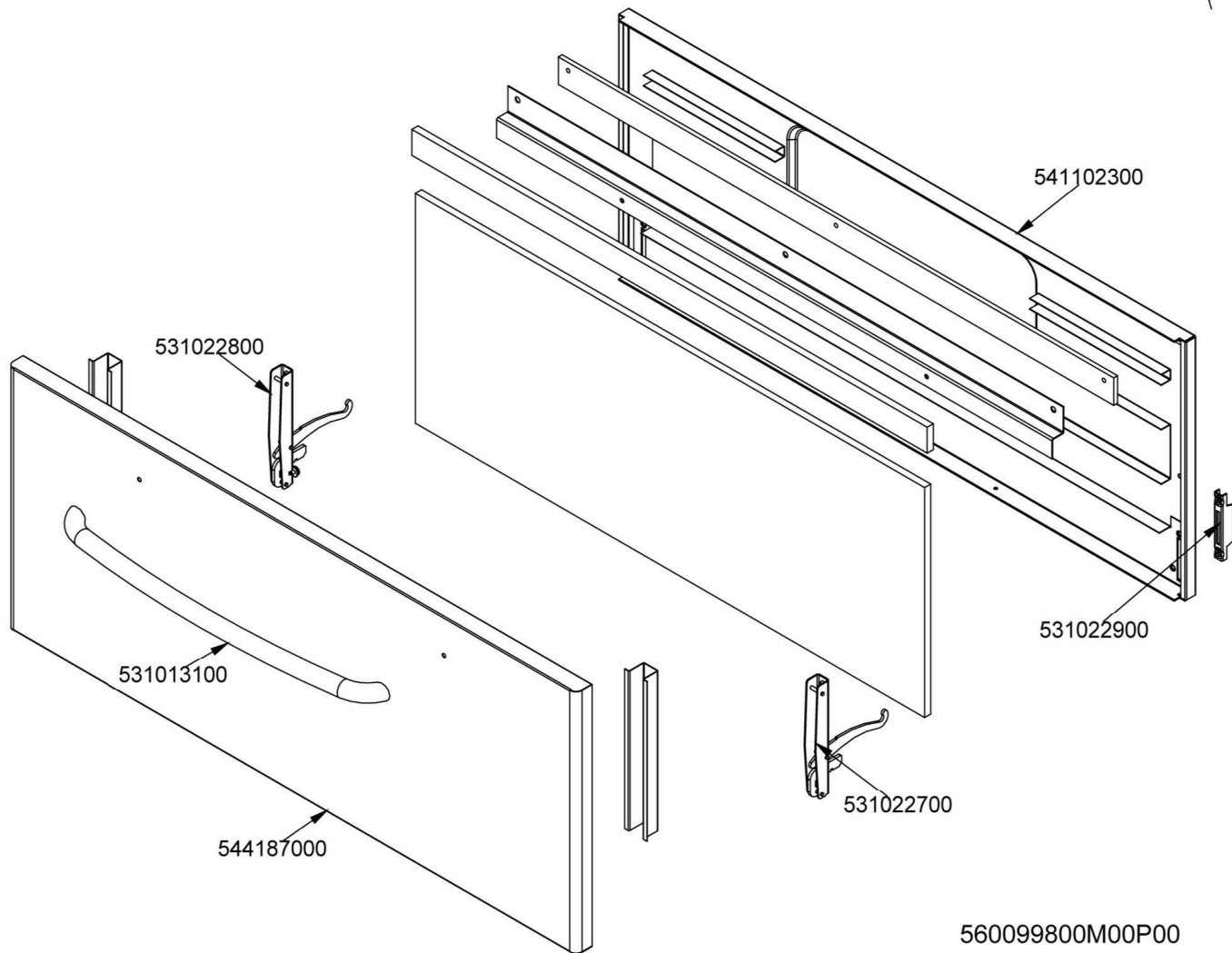


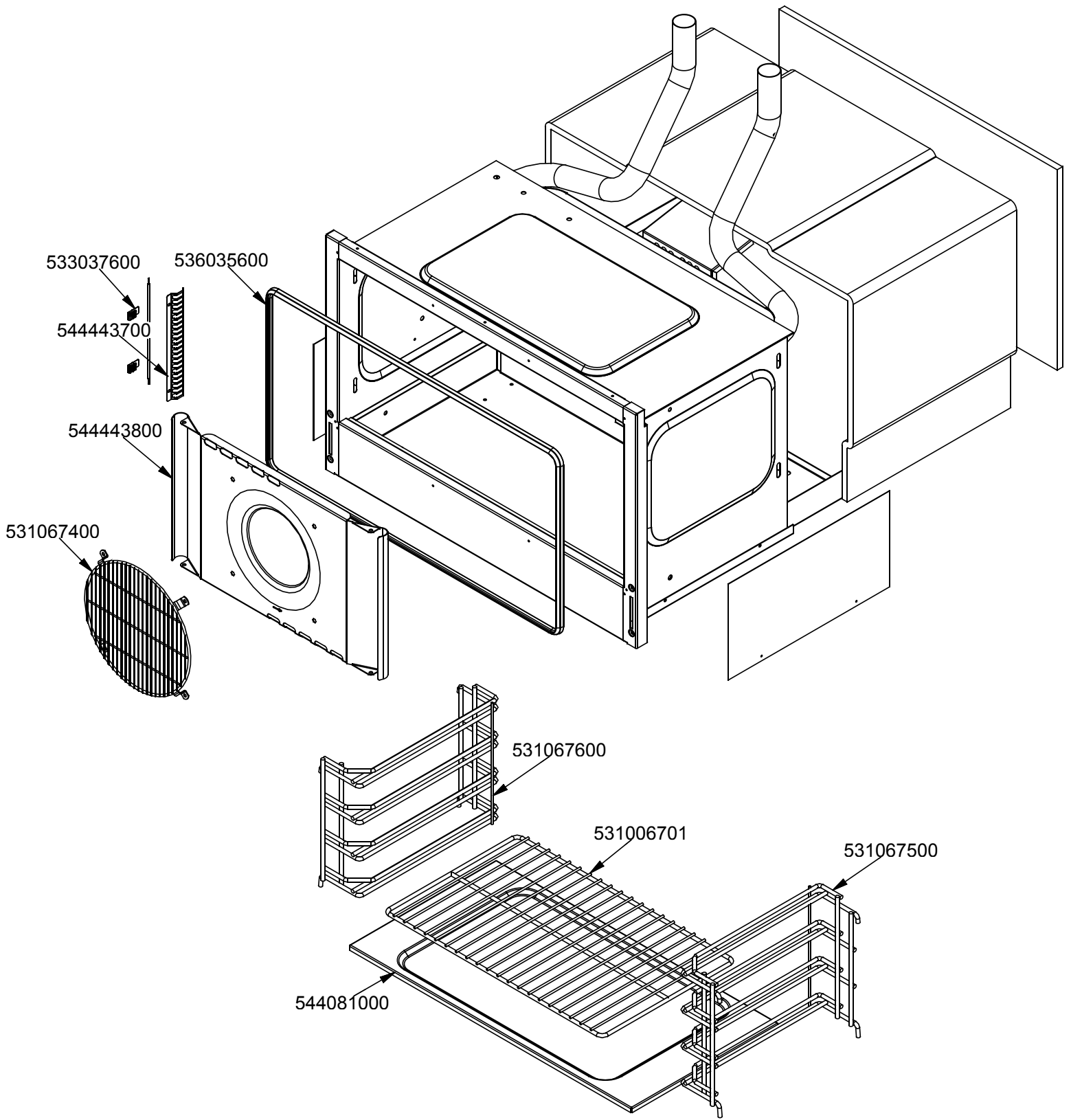
GN2/1

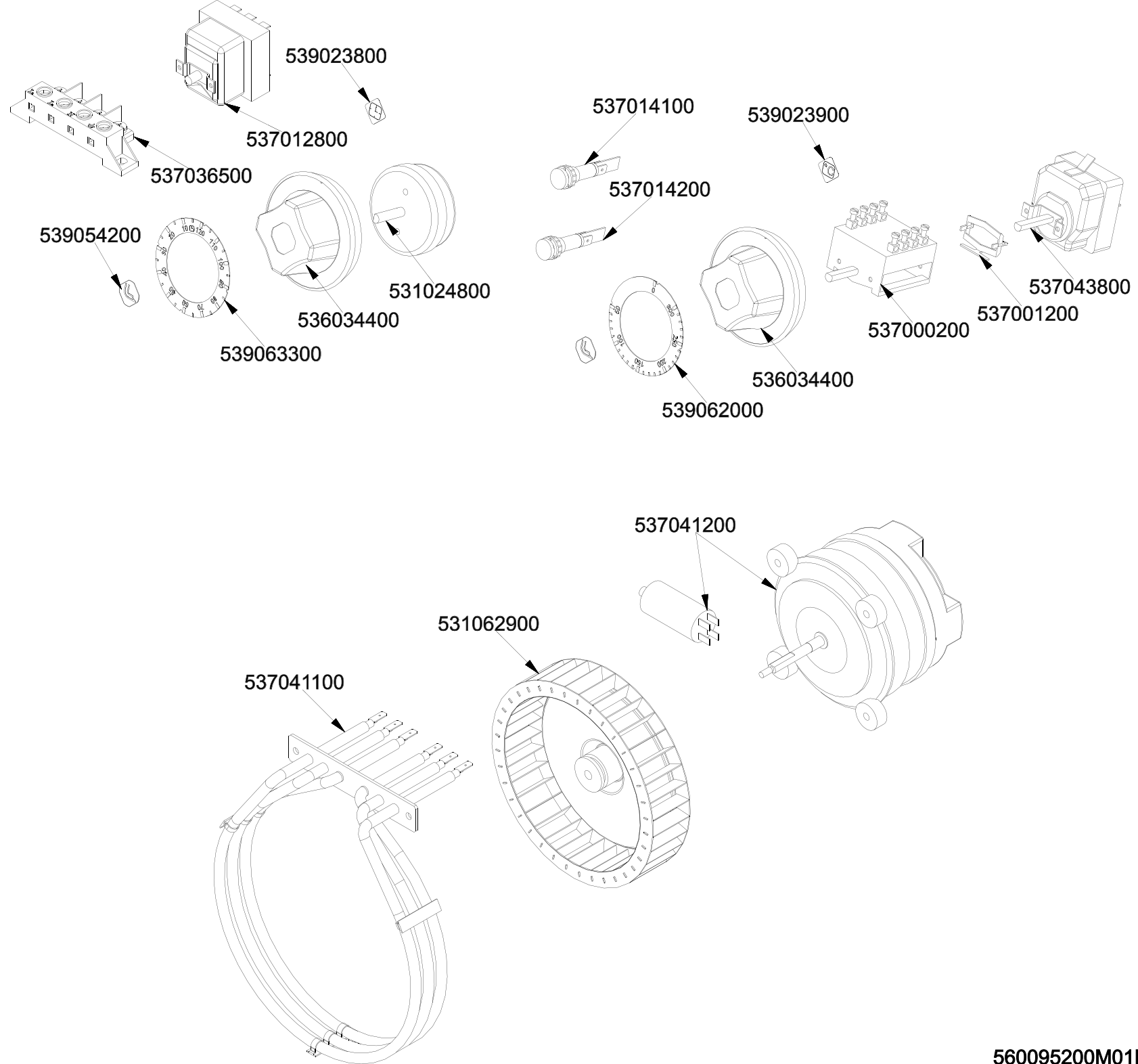


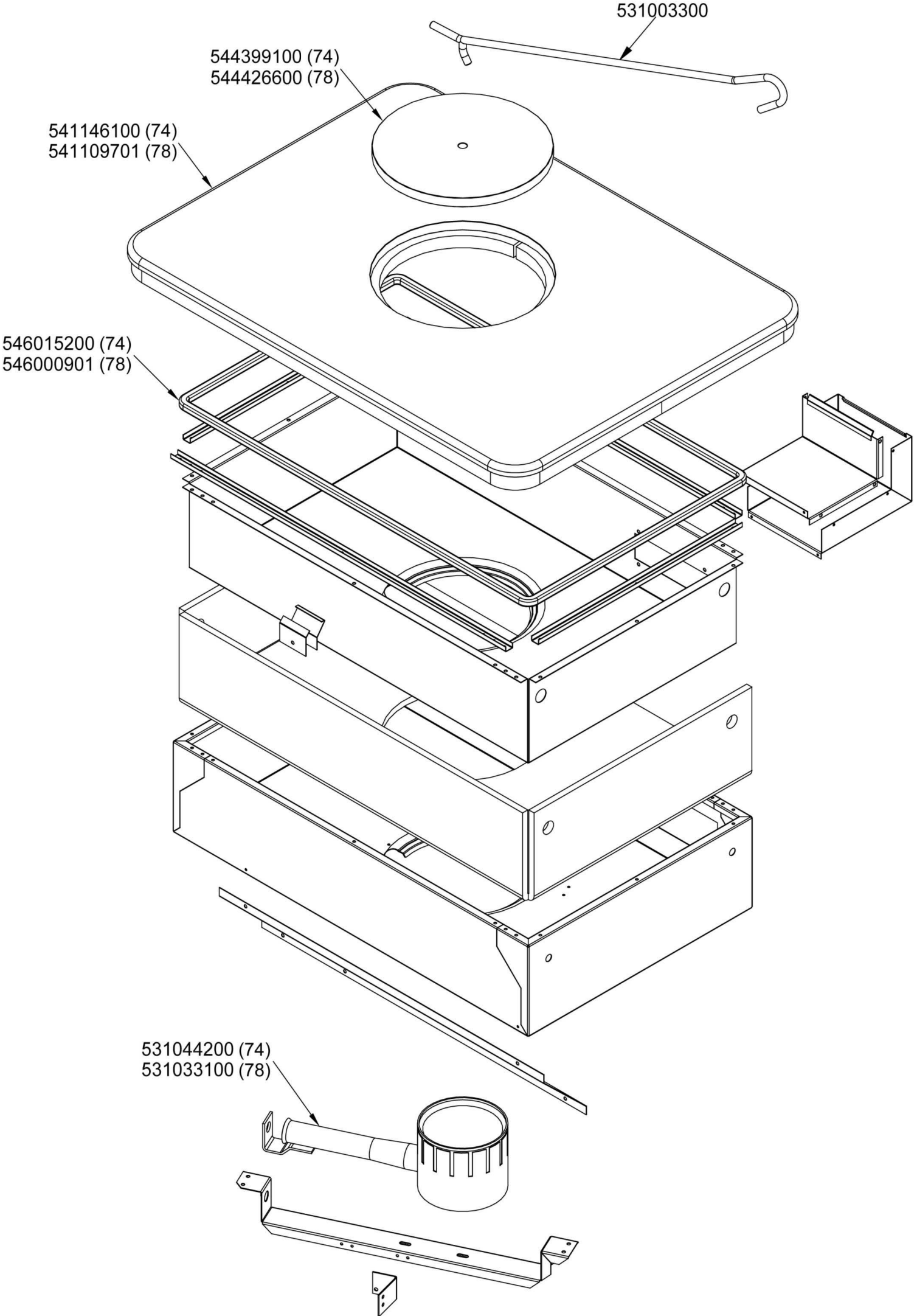
GN3/1

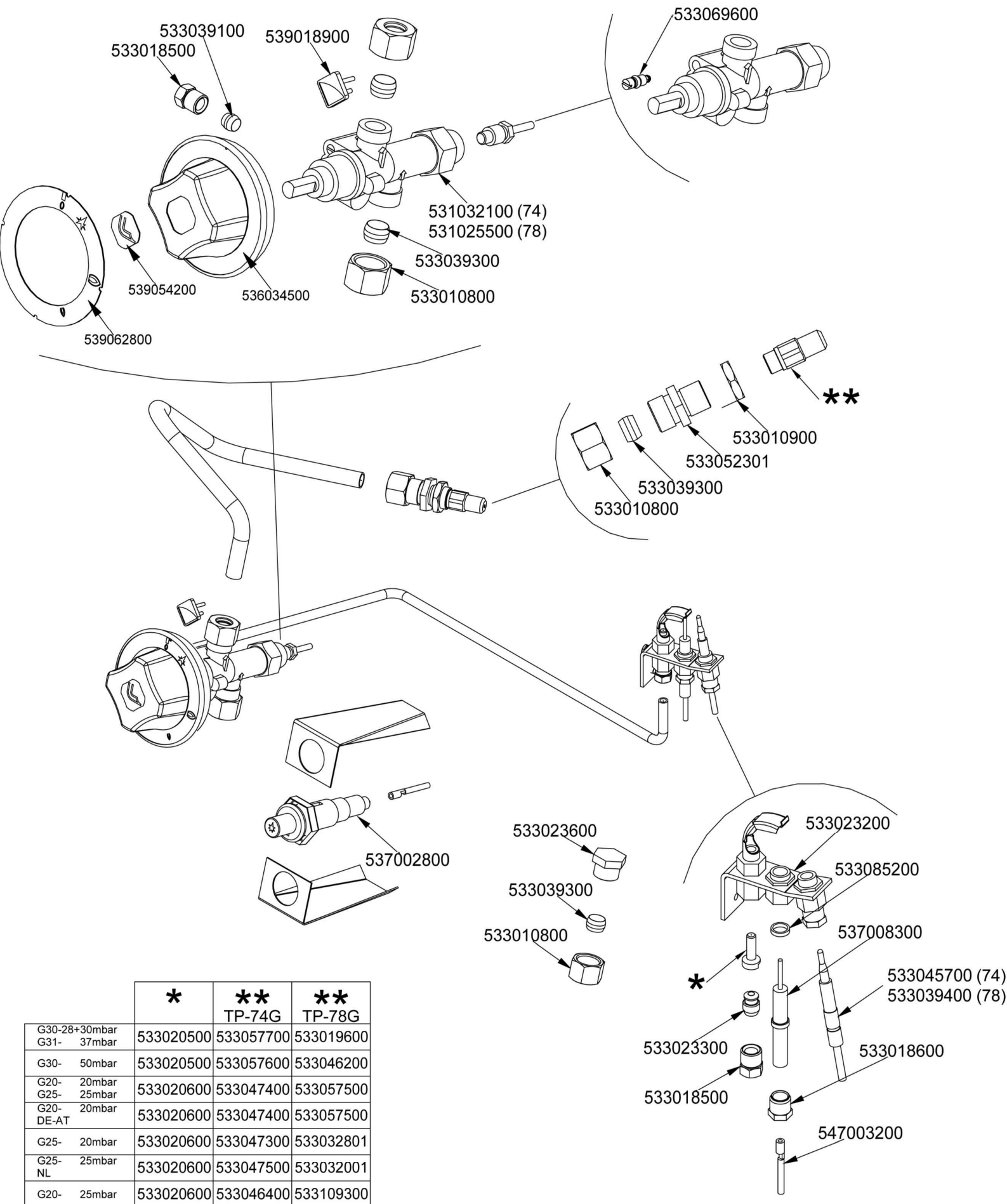


560099800M00P00









Page	Pos	Code	Description
001		532004100	FLUE GRID L=370 90LINE (RAF
001		541134600	LOW SPACER 78 2 GRIDS
001		544369201	UPPER PLATE TP-78G
001		544173300	LEFT SIDE PANEL RANGE S.70
001		537027400	TERMINAL BLOCK THREEPHASE 40A
001		541110201	CONTROL PANEL TPF-78GE TPF-98G
001		533016300	PIN FOR COCK BUSHING
001		544173200	RIGHT SIDE PANEL RANGE S.70
001		536005200	INOX LEG 2" 120-180 M10
002		544187100	OVEN INNER DOOR GN 2/1 70/90LINE
002		531022800	LEFT OVEN DOOR HINGE S.70
002		531013100	OVEN DOOR HANDLE OF 70/90-LINE
002		544186900	OVEN DOOR GN 2/1 70/90LINES
002		531022700	RIGHT OVEN DOOR HINGE 70LINE
002		531022900	HINGE DOOR WHEEL HOLDER S.70
002		541102300	GAS OVEN INNER DOOR GN 3/1 S.70
002		544187000	OVEN DOOR GN 3/1 S.70
003		533037600	LOCK SPRING FOR BULB
003		536035600	OVEN GASKET GN 2/1
003		544443800	55 ELECIC OVEN BOTTOM GN1/1
003		531067400	PROTECTION GRID FOR FAN OVEN*S70
003		531067600	LHD GRIDS HOLDER FOR GN1/1-OVEN S70
003		531006701	MAXI OVEN GRID FOR S60/65
003		531067500	RHD GRIDS HOLDER FOR GN1/1-OVEN S70
003		544081000	55 ELECIC OVEN BOTTOM GN1/1
003		544443700	
004		539023800	LABEL FOR OVEN TIMER
004		537014100	WHITE WARNING LIGHT 250V
004		539023900	SIGN PLATE FOR OVEN TEMPERATURE
004		537012800	SAFETY THERMOSTAT 420°C THREEPHASE
004		537014200	GREEN WARNING LIGHT 250V
004		537036500	TERMINAL BLOCK 4POLES 40A SCREW-SCR
004		539054200	STAMP Ø20,5 CR."L" LOTUS R.
004		537043800	THERMOSTAT 48/300°C THREEPHASE
004		537001200	FIXING BRACKET FOR THERMOSTAT/COMM.
004		531024800	TIMER 120'- 360°
004		536034400	KNOB \$77 4P. \$06*4,6 C/M
004		537000200	COMMUTATOR 1 POS. 3PHASE S.49 16A
004		539063300	ADESIVE DISK FOR TYMER GREY
004		539062000	ADESIVE DISK THERMOSTAT OVEN S70
004		537041200	S70 MOTORFAN
004		531062900	OVEN FAN Ø180 S.70
004		537041100	HEATING ELEMENT 5200W 230V3 OVEN
005		531003300	TP-PLATE LIFTING HOOK
005		544399100	PLATE RING FOR TP-74G TP-94G
005		544426600	PLATE RING FOR TP-98G
005		541146100	PLATE TP-74G
005		541109701	UPPER PLATE TP-78G
005		546015200	SQUARE BRAID 12*12*L=1495
005		546000901	SQUARE BRAID OF INSULATING MATERIAL
005		531044200	CIRCULAR BURNER TP D.066

Page	Pos	Code	Description
005		531033100	BURNER TP..-78G
006		533018500	FITTING FOR BICONE D.6 M10*1
006		533039100	BICONE §6
006		539018900	INDEX FOR KNOB W/RED SIGN
006		533069600	BY PASS COCK §130 20S-21S
006		531032100	GAS COCK 21S P.V.BY-PASS Ø100
006		531025500	GAS COCK 21S P.V.BY-PASS Ø130
006		533039300	BICONE §10
006		533010800	TUBE NUT D.10 M16*1,5
006		536034500	KNOB §77 4P. §08*6,5
006		539054200	STAMP Ø20,5 CR."L" LOTUS R.
006		539062800	RED STICKING DISK 72
006		533010900	NUT M14*1 H.4
006		533052301	JOINT FOR NOZZLE HOLDER
006		537002800	PIEZOELECTRIC IGNITION M18 WITH NUT
006		533023600	TAP PLUG §10 M16*1, 5CH19
006		533023200	TARGET PILOT + NIPPLE TC BRAC.90°
006		533085200	SPACER FOR PILOT PLUG
006		537008300	ROUND PLUG §2,4- LONG ELECTRODE
006		533045700	THERMOCOUPLE M9*1 500
006		533039400	THERMOCOUPLE M9*1*850
006		533023300	BICONE §6 ("TARGET" PILOT
006		533018600	PLUG FITTING
006		547003200	HIGH-VOLTAGE CABLE TUBE.§2 L=500
006		533020500	NOZZLE 0.140 §19
006		533020600	NOZZLE 0.140 §27
006		533057700	NOZZLE §130A CH12*30 F-BRF74
006		533057600	NOZZLE §115A CH12*30 G-BRF74
006		533047400	NOZZLE §195 CH12*30 M-BM8
006		533047300	NOZZLE §215 CH12*30 L-BM8
006		533046400	NOZZLE §185 CH12*30 G-CPM
006		533019600	NOZZLE §165 CH12*30 MH-FT5 H-FT6
006		533046200	NOZZLE §150 CH12X30 L-BR TP
006		533057500	NOZZLE §260 CH12X30
006		533032801	NOZZLE §280 CH12*30 M-CPM
006		533032001	NOZZLE §270 CH12*30 MH-CPM
006		533109300	NOZZLE CH12X30,0 Ø245