

WAREWASHER

ELECTROMECHANICAL SWITCHES
SIMPLE BODY VERSION

TYPE: 17AQU

Accessories

BOOSTER PUMP

DVGW

DETERGENT DISPENSER

DRAIN PUMP

BREAK TANK

Spare parts



1. Spare parts

General body parts.....	7
Lockup system	9
Control panel and switches.....	11
Electric control components.....	13
Solenoid valve group	15
Break Tank	17
Booster pump.....	19
DVGW	21
Rinse aid dispenser group.....	23
Boiler group	25
Connection group	27
Wash pump	29
Dosing detergent group.....	31
Dosing detergent group.....	33
Drain pump group.....	35
Pressure switch group with air trap ...	37

Turret group with rotating arms39

1.1 Voltage codes

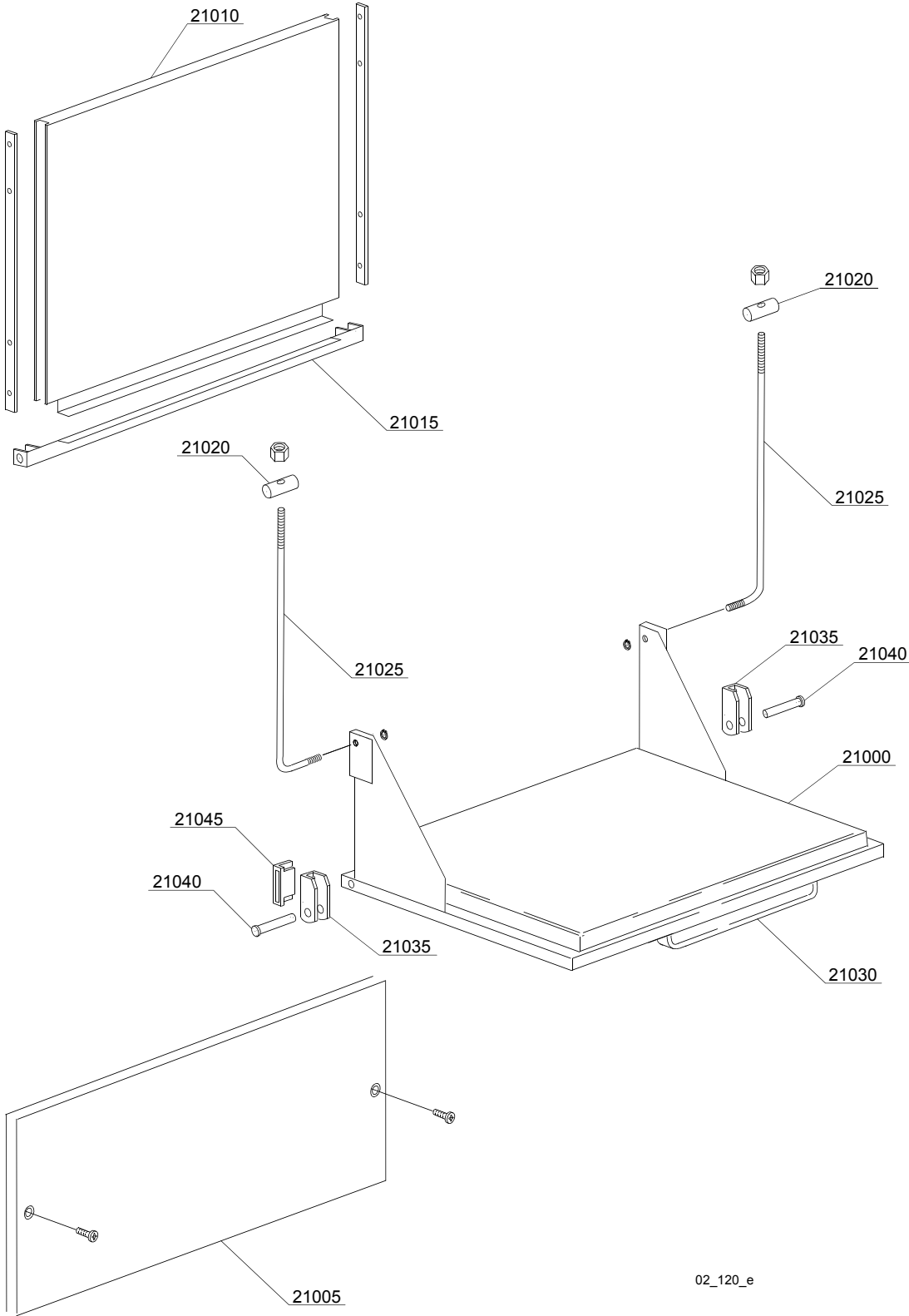
Voltage code	Voltage
A	3/N/PE~400/230V 50Hz
B	~250V 16A 50Hz
C	3/N/PE~380/220V 50Hz
D	3/PE~200V 50-60Hz
F	2/PE 220-240V 50Hz
G	3/N/PE~415/240V 50Hz
H	3/PE~230V 50Hz
I	3/PE~220V 60Hz
J	3/PE~380 50Hz
K	3/PE~400V 50Hz
L	3/PE~415V 50Hz
M	3/PE~440V 60Hz
N	3/PE~460V 60Hz
O	3/PE~480V 60Hz
P	1/N/PE~220-240V 50Hz
R	2/PE~220-230V 60Hz
S	3/N/PE~400/230V 50Hz
T	3/PE~230V 60Hz

1.2 Product codes

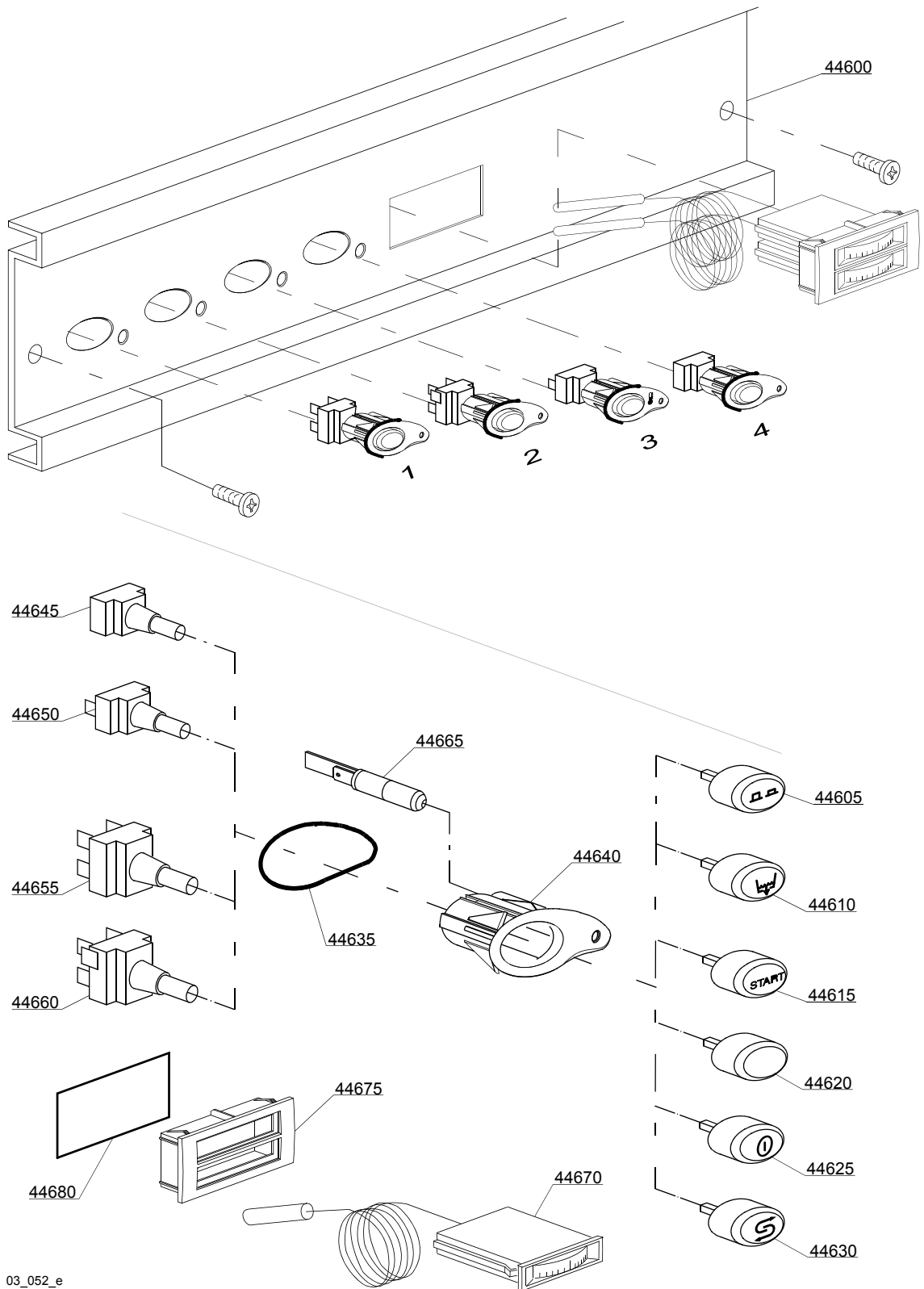
Product code	Full name
Model codes	
em	ELECTROMECHANICAL SWITCHES
mc	SIMPLE BODY VERSION
Type codes	
17AQU	17AQU
Accessory codes	
pap	BOOSTER PUMP
dvgw	DVGW
dde	DETERGENT DISPENSER
ps	DRAIN PUMP
bt	BREAK TANK

Spare parts

ID	P-code	Model	Type	Accessory	Voltage	Description
MODULE:General body parts						
25900	23224		17AQU			Back panel
25905	23205		17AQU			Body
25910	22254		17AQU			Right/left lower splash guard
25915	15116		17AQU			Foot
25920	500619		17AQU			Overflow pipe
25920	22251		17AQU			Overflow pipe
25925	15613		17AQU			"Elbow 1""
25930	15047/A		17AQU			2,7/2,94KW 230/240V 3 heating element
25935	22231		17AQU			Upper splash guard
25940	22232		17AQU			Chimney splash guard
25945	23228		17AQU			Right back panel
25950	23230		17AQU			Left back panel
25955	23204		17AQU			Base
25960	22209		17AQU			Right internal slide
25965	22209/A		17AQU			Left internal slide
25970	75926		17AQU			Sleeper holder-filter
25975	75626		17AQU			Surface half-filter
25980	75625		17AQU			Half-filter with hole
25985	15911		17AQU			Stainless steel filter
25990	22213		17AQU			Reed-holder
25995	10200171		17AQU			Gasket 17x25x2
26000	22213/A		17AQU			Reed-holder spacer
26005	2000309		17AQU			Sensor
26010	22214		17AQU			Nut
26015	10200113		17AQU			Drain coupling
26020	10200173		17AQU			Gasket 75x58x2
26025	10200114		17AQU			Drain pipe nut
26030	15065/A		17AQU			Cable sheath
26035	13021		17AQU			DEM 40 O-ring
26040	22255		17AQU			Left splash guard



02_120_e



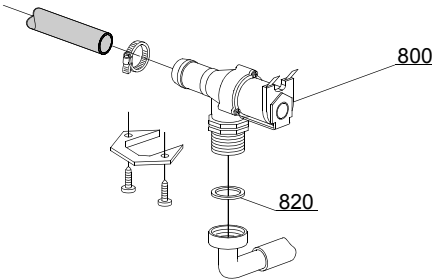
03_052_e

Spare parts

ID	P-code	Model	Type	Accessory	Voltage	Description
MODULE:Control panel and switches						
44600	23212		17AQU			Control panel KP151
44605	89342		17AQU	cr		Time selector switch push button
44610	89343		17AQU	dp		Drain pump push button
44615	89341		17AQU			START push button (optional)
44620	89348		17AQU			Blind push button
44625	89340		17AQU			ON-OFF push button
44630	89345		17AQU	ws		Regeneration push button
44635	86006		17AQU			OR O-ring
44640	86001		17AQU			Push button support
44645	15844		17AQU			Push button support
44650	15813		17AQU			16A unipolar switch
44655	15812		17AQU			16A bipolar switch
44655	15800		17AQU			16A switch
44660	15811		17AQU			16A bipolar switch
44660	15811/A		17AQU			16A bipolar switch
44665	15826		17AQU			Pilot light
44670	10500011		17AQU			Thermometer
44675	89306		17AQU			Double thermometer support
44680	89331		17AQU			OR O-ring

Spare parts

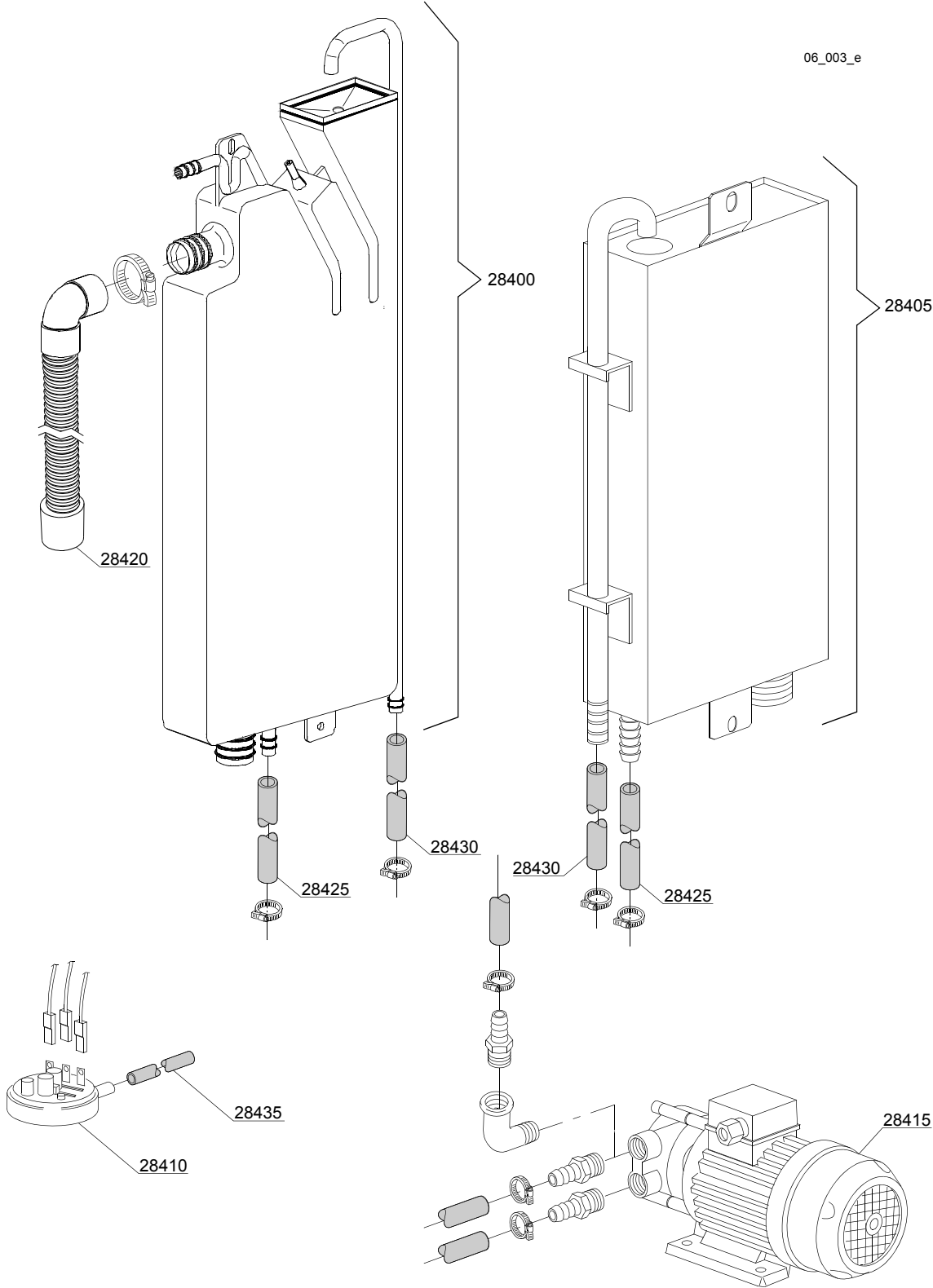
ID	P-code	Model	Type	Accessory	Voltage	Description
MODULE:Electric control components						
300	22011		17AQU		A	120/240" timer with thermostop
305	15149		17AQU		A	Filter F3
310	10707/1		17AQU		A	0-90°C thermostat
315	2000430		17AQU		A	Thermostat
320	15086		17AQU		A	Contactora 230 V
320	15086/B		17AQU		A	Contactora 240V 50Hz (for boiler heat.elem.>3Kw)
325	10300050		17AQU		A	Contactora 25A/12A 4NA 230V
330	16037		17AQU		A	16A bipolar relay
335	22210		17AQU		A	Electric component panel
340	10300401		17AQU		A	Clamp
345	10300403		17AQU		A	Clamp
350	80200		17AQU		A	Power supply cable 5x4x3400
350	75359		17AQU			4x6 flame-retardant cable
355	15620		17AQU	dp		Bipolar relay in deviation



05_005_e

Spare parts

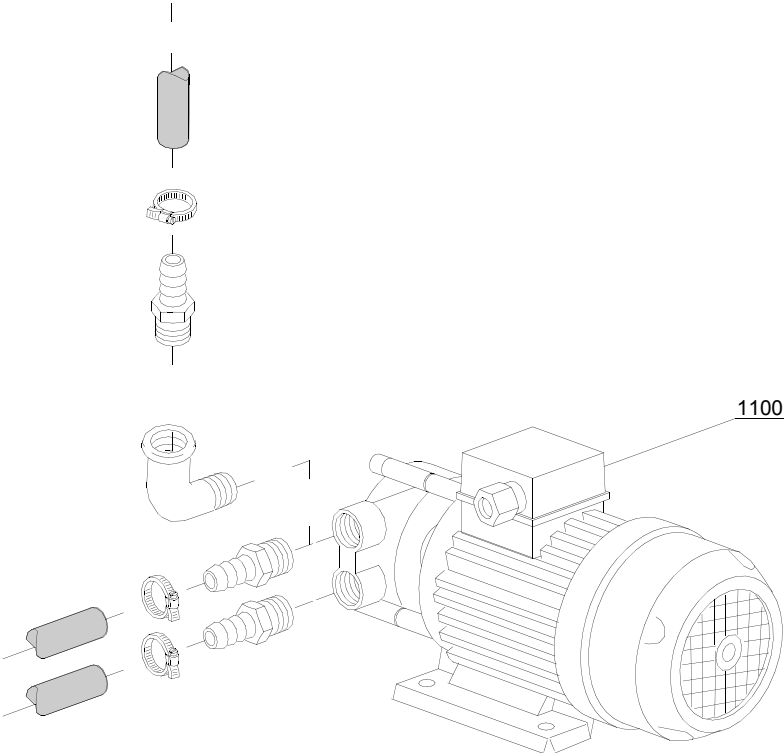
ID	P-code	Model	Type	Accessory	Voltage	Description
MODULE:Solenoid valve group						
800	30001000		17AQU			Solenoid valve
820	N.C.		17AQU			Pression reducing valve



Spare parts

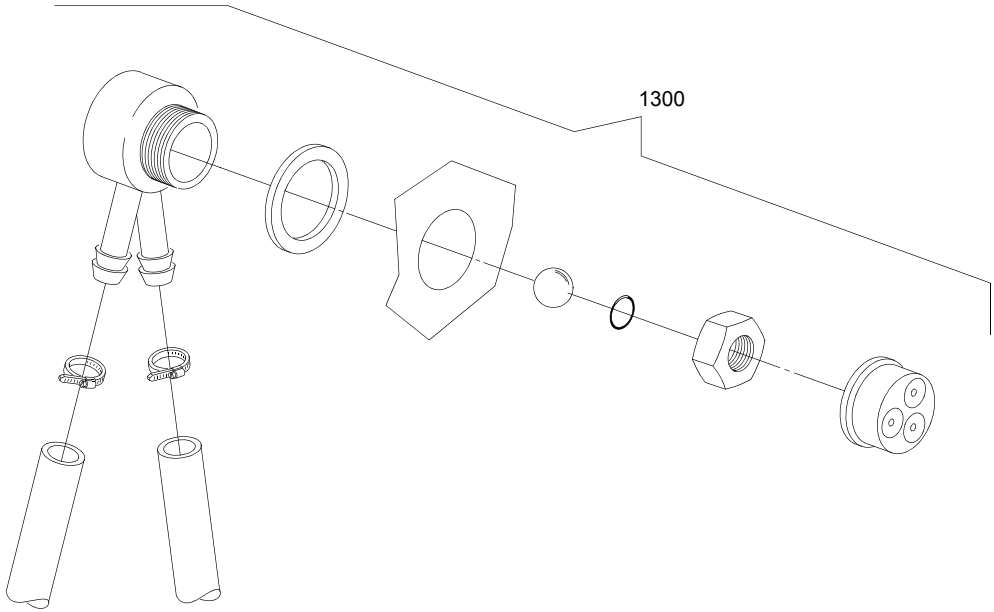
ID	P-code	Model	Type	Accessory	Voltage	Description
MODULE:Break Tank						
28400	15720		17AQU	bt		Break tank assembly
28405	15735		17AQU	bt		Break tank assembly
28410	10706/A		17AQU	bt		47-27 pressure switch
28415	15100		17AQU	bt		Booster pump 230V
28420	15721		17AQU	bt		BT long pipe L=1070
28420	15722		17AQU	bt		BT middle pipe L=920
28420	15723		17AQU	bt		BT small pipe L=920
28425	2907350		17AQU	bt		12x20 EPDM rubber hose
28430	2907352		17AQU	bt		PVC WRAS rubber hose
28435	14508		17AQU	bt		4,5x9 EPDM rubber hose

07_002_e



Spare parts

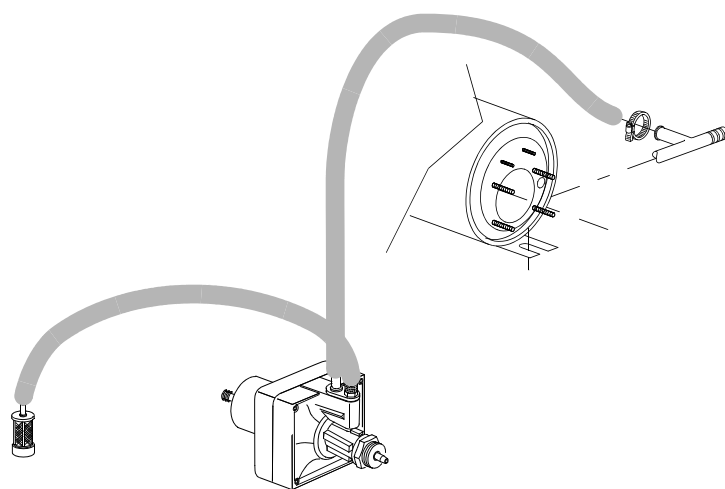
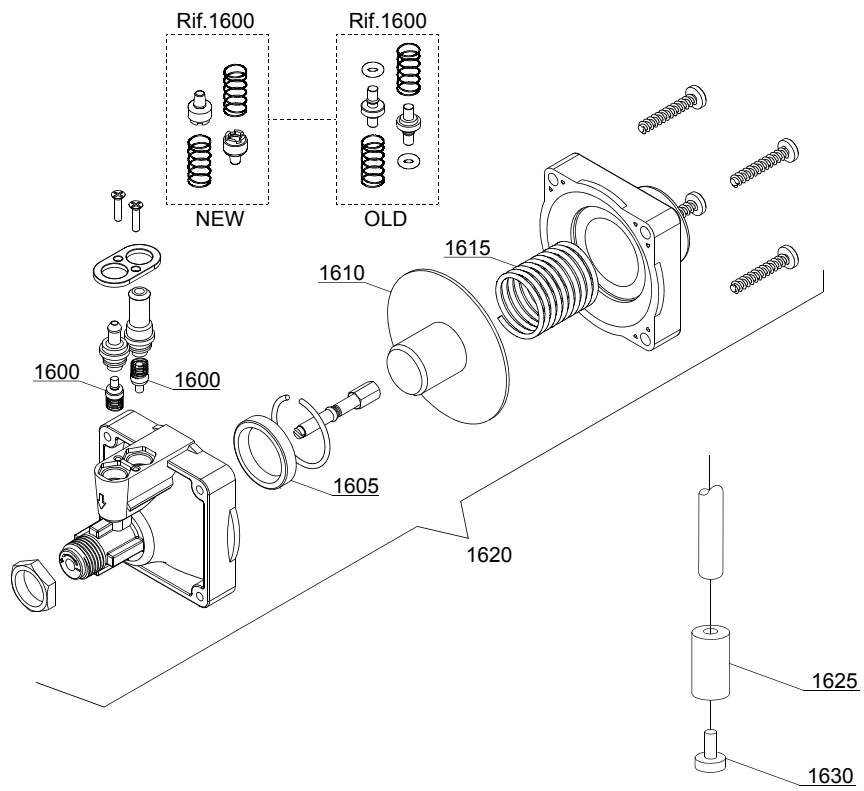
ID	P-code	Model	Type	Accessory	Voltage	Description
MODULE:Booster pump						
1100	15100		17AQU	bp		Booster pump 230V



08_005_e

Spare parts

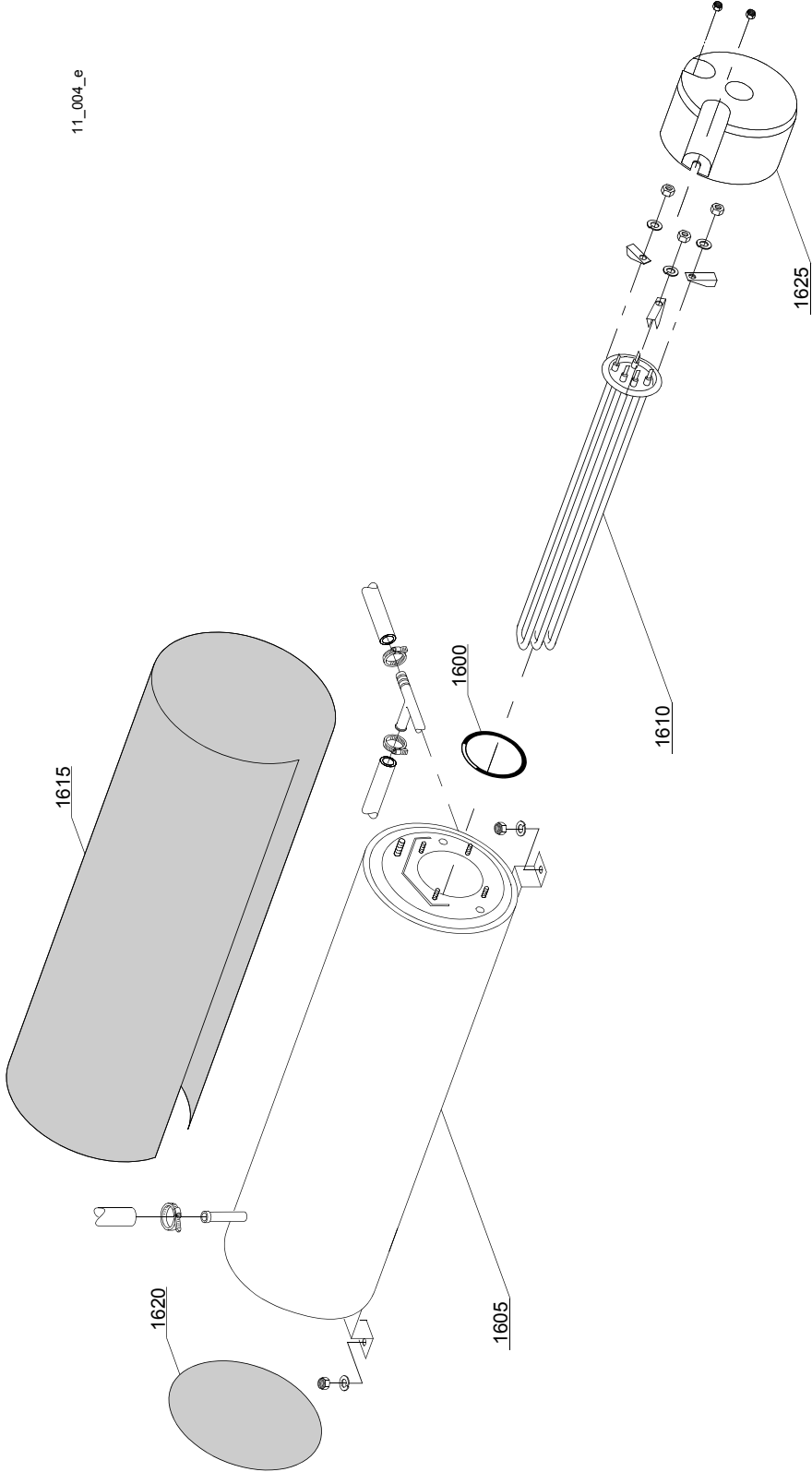
ID	P-code	Model	Type	Accessory	Voltage	Description
MODULE:DVGW						
1300	999900006		17AQU	dvgw		DVGW assembly



10_003_e

Spare parts

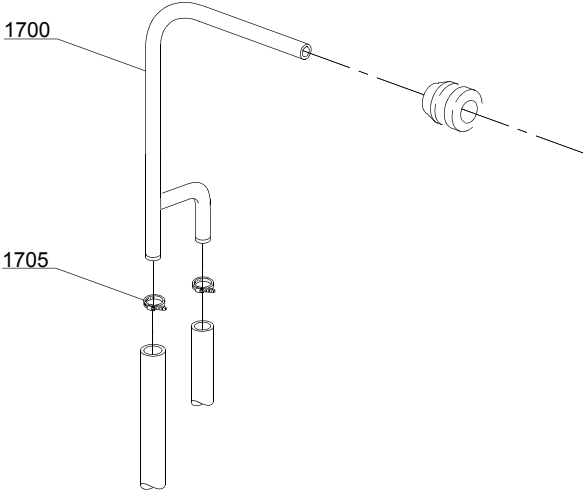
ID	P-code	Model	Type	Accessory	Voltage	Description
MODULE: Rinse aid dispenser group						
1600	10805		17AQU			Tecnopro non return valve
1605	10806		17AQU			Ø22 O-ring
1610	10807		17AQU			Membrane
1615	10808		17AQU			Spring
1620	10599999		17AQU			Rinse aid pump
1625	12525		17AQU			Counter-weight
1630	15058		17AQU			Suction filter



Spare parts

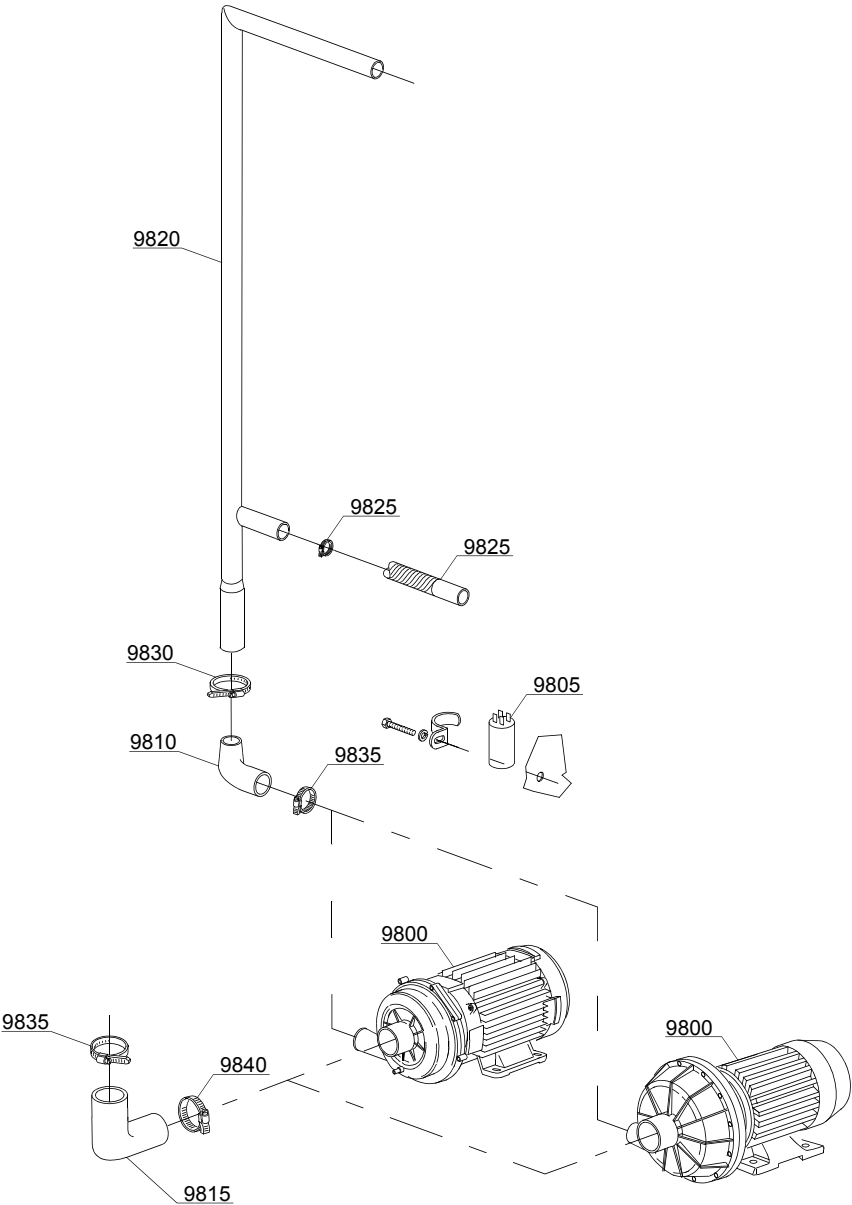
ID	P-code	Model	Type	Accessory	Voltage	Description
MODULE:Boiler group						
1600	13015		17AQU			Gasket OR 6225
1605	22002		17AQU			Boiler
1610	30001010		17AQU			Heating element 6 kW
1610	30001011		17AQU			Heating element 9 kW
1615	30002030		17AQU			Insulation boiler
1620	75205		17AQU			Ø160 end piece

12_007_e



Spare parts

ID	P-code	Model	Type	Accessory	Voltage	Description
MODULE:Connection group						
1700	15045/B		17AQU			3 ways connection
1705	11807		17AQU			Clamp 12-22

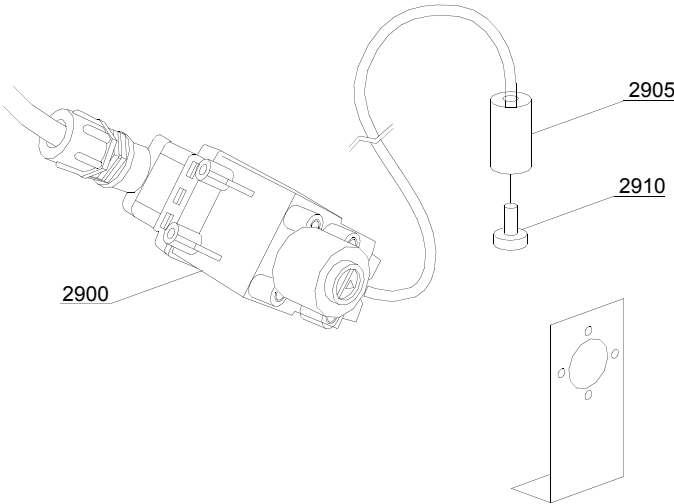
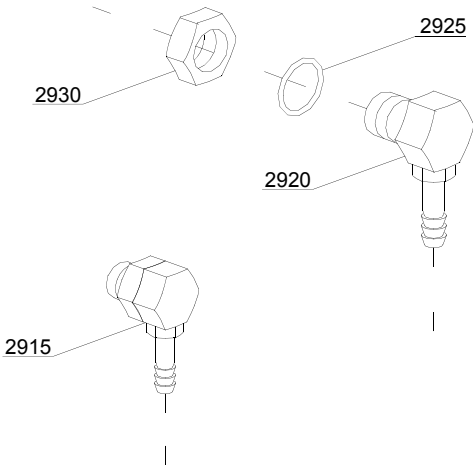


13_108_e

Spare parts

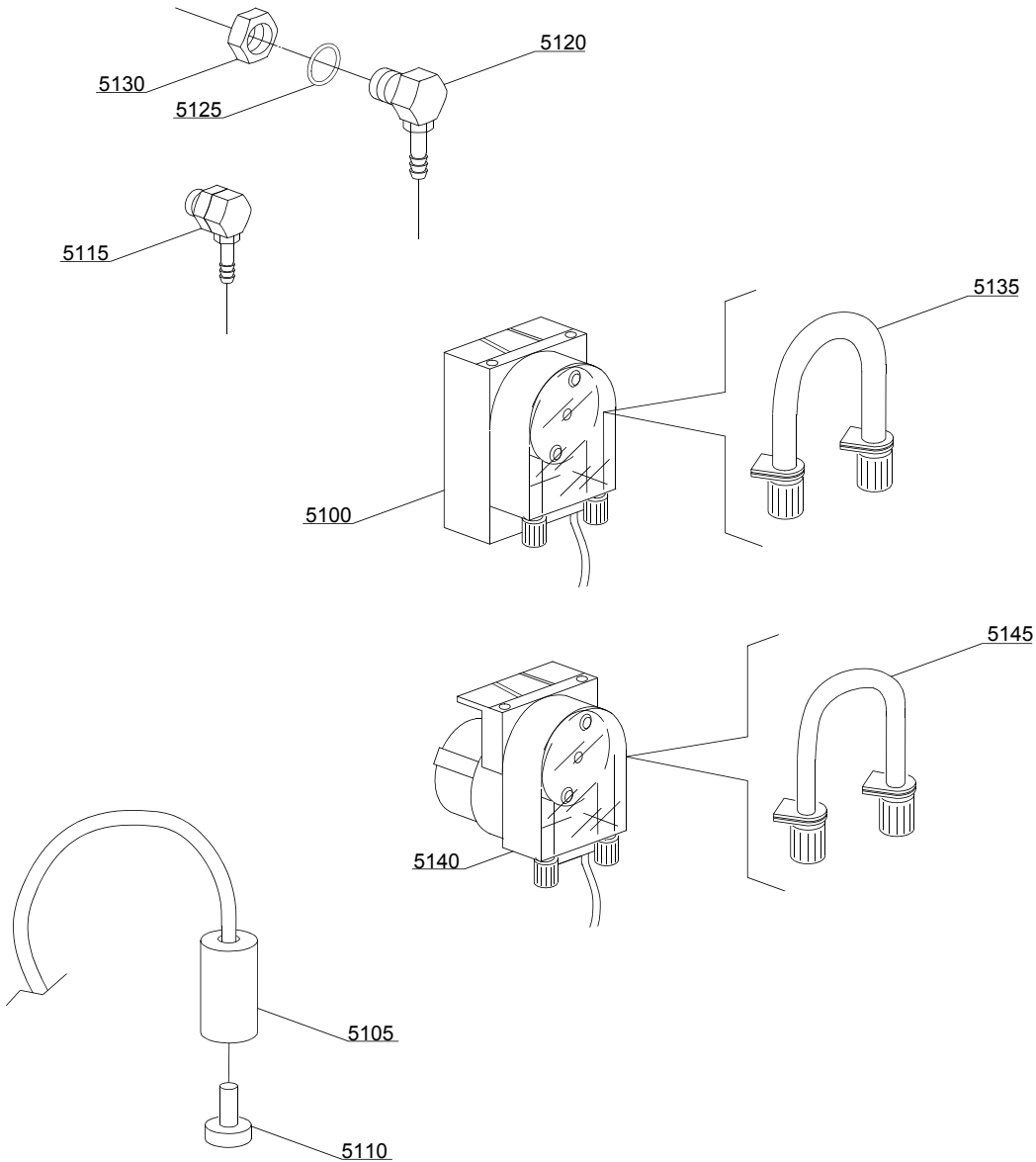
ID	P-code	Model	Type	Accessory	Voltage	Description
MODULE:Wash pump						
9800	88106/E		17AQU			2,7Hp wash pump - 240/415V
9810	16170/M		17AQU			Delivery side pipe coupling
9815	15032/A		17AQU			Suction pipe coupling
9820	23203		17AQU			Wash ramp
9825	15033/A		17AQU			Lower delivery wash pipe
9830	11809		17AQU			30/45 clamp
9835	11824		17AQU			50/70 clamp
9840	2902491		17AQU			Clamp 60-80

14_002_e



Spare parts

ID	P-code	Model	Type	Accessory	Voltage	Description
MODULE:Dosing detergent group						
2900	15108/L		17AQU	dd		Lang detergent pump
2905	12525		17AQU	dd		Counter-weight
2910	15058		17AQU	dd		Suction filter
2915	15123		17AQU	dd		Compleat plastic injector
2920	15148		17AQU	dd		Steel injector
2925	15159		17AQU	dd		OR O-ring
2930	10200205		17AQU	dd		Nut m12x1

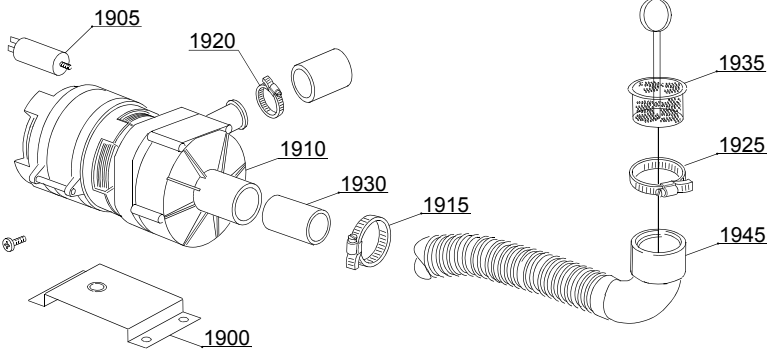


14_004_e

Spare parts

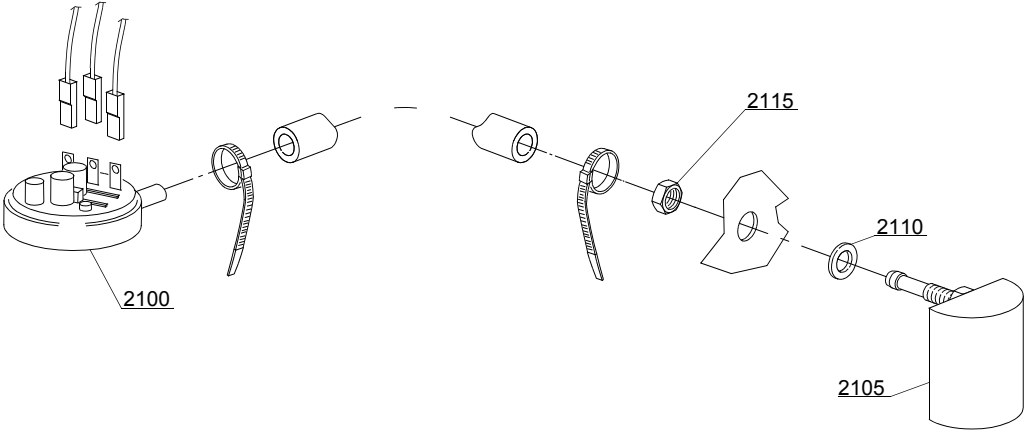
ID	P-code	Model	Type	Accessory	Voltage	Description
MODULE:Dosing detergent group						
5100	15985		17AQU	sd,i,dd		Seko detergent pump
5105	12525		17AQU	sd,i,dd		Counter-weight
5110	15058		17AQU	sd,i,dd		Small filter
5115	15123		17AQU	sd,i,dd		Complet plastic injector
5120	15148		17AQU	sd,i,dd		Steel injector
5125	15159		17AQU	sd,i,dd		OR O-ring
5130	10200205		17AQU	sd,i,dd		Nut m12x1
5135	15185		17AQU	sd,i,dd		Seko thermoplastic pipe
5140	15985		17AQU	sd,i,dd		Germac detergent pump
5145	15108/E		17AQU	sd,i,dd		Germac thermoplastic pipe

15_003_e



Spare parts

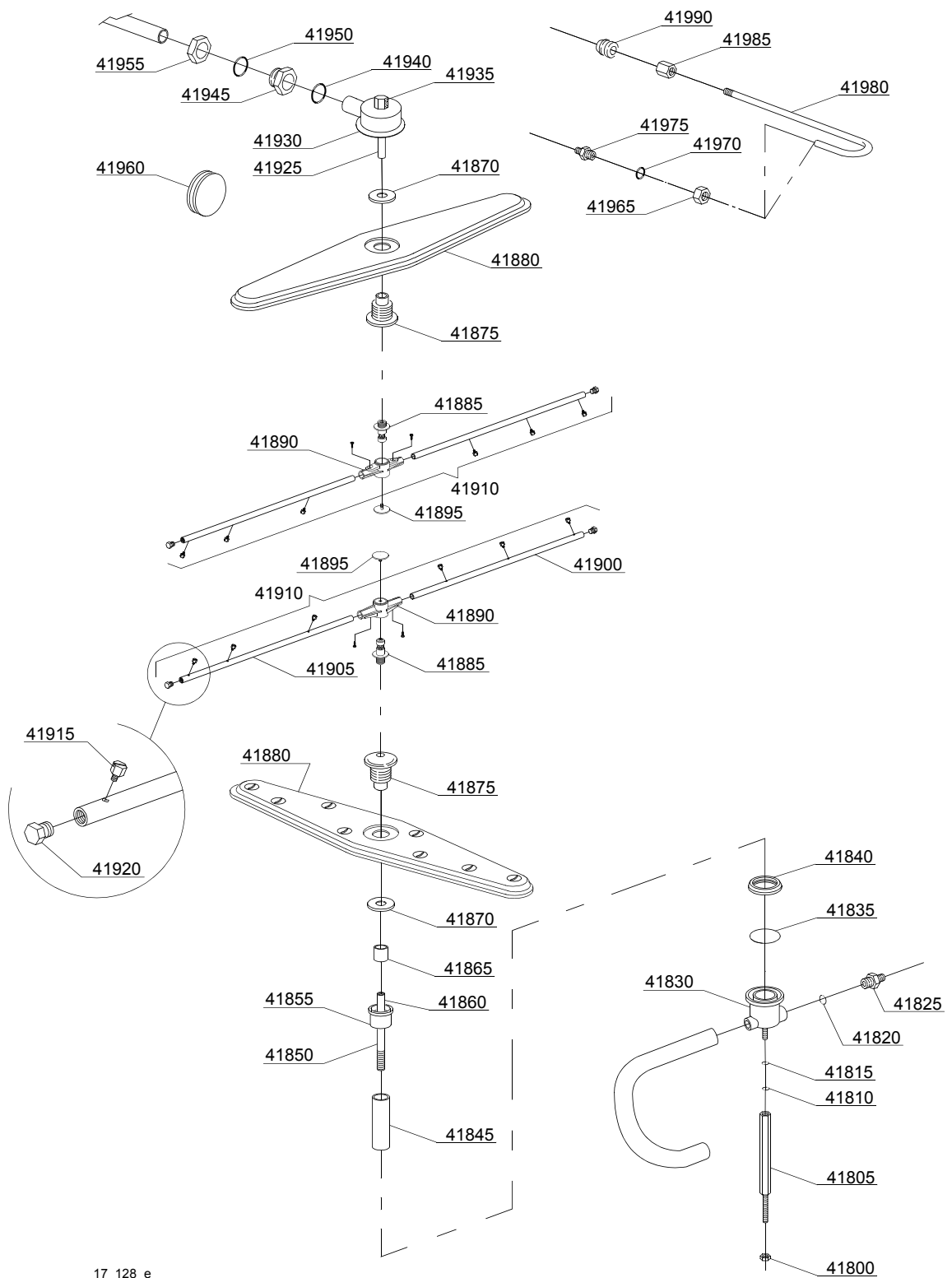
ID	P-code	Model	Type	Accessory	Voltage	Description
MODULE:Drain pump group						
1900	440122		17AQU	dp		Pump support
1905	10702		17AQU	dp		5 uF condenser
1910	10501/A		17AQU	dp		190W 230V drain pump
1915	11806		17AQU	dp		25/40 clamp
1920	11836		17AQU	dp		20/32 clamp
1925	11809		17AQU	dp		30/45 clamp
1930	18044		17AQU	dp		Ø28 top wash pipe
1935	10200039		17AQU	dp		Flow drain filter
1945	18767		17AQU	dp		Drain coude/pump connection pipe



16_001_e

Spare parts

ID	P-code	Model	Type	Accessory	Voltage	Description
MODULE:Pressure switch group with air trap						
2100	75950		17AQU			Pressure switch
2105	135911/C		17AQU			Air trap
2110	13301		17AQU			Gasket 14x8x1,5
2115	11702		17AQU			Nut M8



17_128_e

Spare parts

ID	P-code	Model	Type	Accessory	Voltage	Description
MODULE:Turret group with rotating arms						
41800	11702		17AQU			M8 stainless steel nut
41805	23303		17AQU			Lower tie rod
41810	13313		17AQU			8x24x2 O-ring
41815	11185		17AQU			8x16 steel plane washer
41820	13003		17AQU			OR 112 NBR O-ring
41825	12506		17AQU			Ø10 rubber-holder
41830	15041/A		17AQU			Grey wash/rinse lower distributor
41835	13022		17AQU			OR 4150 O-ring
41840	15038		17AQU			Ring nut connection
41845	22050		17AQU			Steel pipe coupling
41850	22026		17AQU			Lower extension axle
41855	15040/A		17AQU			Lower wash bell-shape
41860	75315		17AQU			Rinse axle extension
41865	75321		17AQU			Spacer for hub
41870	75317		17AQU			Nut for wash arm bearing
41875	75320		17AQU			Wash arm bearing
41880	75915		17AQU			Stainless steel wash rotor
41885	10651		17AQU			Rinse axle
41890	10650		17AQU			Rinse arm
41895	10652		17AQU			Rinse arm screw
41900	10657		17AQU			Right rinse arm - stainless steel nozzle
41905	10658		17AQU			Left rinse arm - stainless steel nozzle
41910	75918		17AQU			Top/lower rinse arm complete
41915	560018		17AQU			Stainless steel rinse nozzle
41920	560017		17AQU			Rinse arm plug
41925	75322		17AQU			Top rinse axle
41930	75067		17AQU			Stainless steel turret
41935	75319		17AQU			Rinse elbow
41940	13004		17AQU			OR 3137 NBR O-ring
41945	15042		17AQU			1" 1/4 ring nut
41950	13008		17AQU			OR 147 NBR O-ring
41955	11101/B		17AQU			Stainless steel group fixing screw
41960	13316/A		17AQU			DVGW hole O-ring
41965	12006/A		17AQU			Ø10 pipe fitting 3/8x3,5 nut 19 hexagonal
41970	13003		17AQU			OR 112 NBR O-ring
41975	12006		17AQU			Ø10 rinse pipe fitting
41980	75066		17AQU			Top rinse pipe
41985	12526		17AQU			Stainless steel nut coupling
41990	13304		17AQU			Pipe-pass O-ring