

www.atasrl.com

Modello
Modèle
Model
Modell

AT 1050 - 1100

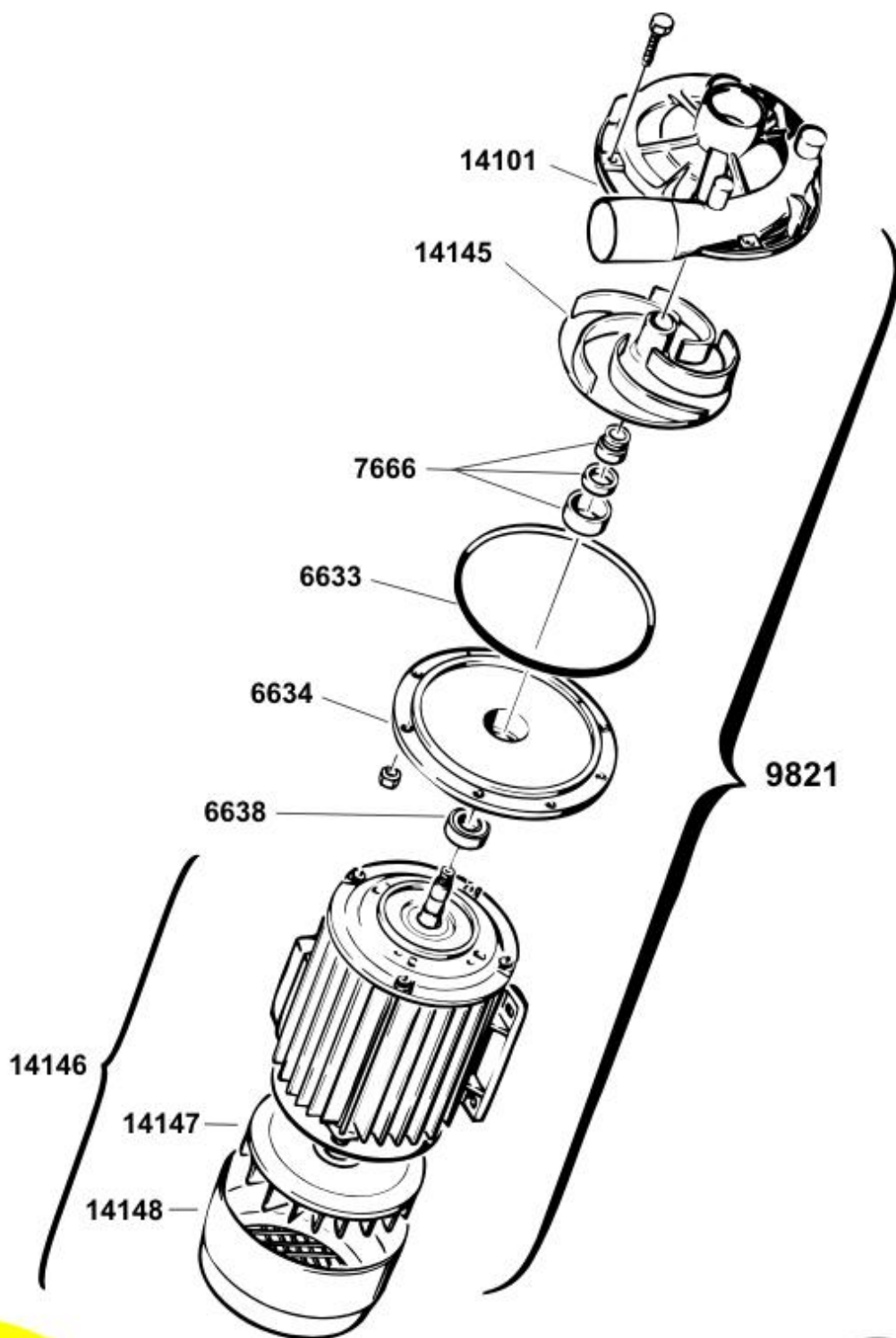
Dis. n° EM.AT.021

Data: 01/01/12



Professional dishwashers

A.T.A. S.R.L. 35026 CONSELVE (PD) ITALY VIALE DEL PROGRESSO 20 - Z. I. PHONE 049/9500555 (4 LINEE R.A.) FAX 049/9500560



www.atasrl.com

**ELETTROPOMPA
2 HP**

Dis. n° EE.P.026 Data: 01/10/10



Professional dishwashers

A.T.A. S.R.L. 35026 CONSELVE (PD) ITALY VIALE DEL PROGRESSO 20 - Z. I. PHONE 049/9500555 (4 LINEE R.A.) FAX 049/9500560

Seite	Kreditor Artikel Nr.	IT	GB
001	9729	GUARNIZIONE CAPOTTA AT95/105	HOOD SEALING AT 95/105
001	4324	GUARNIZIONE CODOLO AF PS	JOINT
001	1130	VALVOLA ANTIRIFLUSSO	NON-RETURN VALVE
001	7237	TUBO RISCIAcq. SUP. AL 45/AL 46	UPPER RISING PIPE AL 40/AL 41
001	1132	TAPPO VALVOLA ANTIRIFLUSSO	PLUG OF NON-RETURN VALVE
001	60146	TUBO ATOSSICO 11x19	PIPE 11X19
001	4773	TUBO T BRILL.-BOILER	HOSE FROM T-TUBE TO BOILER
001	A1510		
001	1530	POMPA VOLUMETRICA 0,46 kW	PUMP 0,46 KW
001	A4249		
001	4249	SONDA PER TANICA DET. CON MICRO MAGNETICO PER MACCHINE ET	PROBE FOR DETERGENT TANK
001	9670	SCORRIMENTO SX CAPOTTA AT	LEFT-HAND SIDE GUIDE OF HOOD AT
001	9723	FILTRO SUPERFICIALE AT	SURFACE FILTER AT
001	9724	CESTELLO FILTRO SUPERFICIALE AT	BASKET FILTER AT
001	9564	BOILER	BOILER
001	4205	RESISTENZA W 3000 V 220	HEATING ELEMENT W 3000 V 220
001	7945	DOSATORE BRILLANTANTE N6	RINSE-AID DISPENSER N.6
001	13620	COPRIRESISTENZA	HEATING ELEMENT COVER
001	9722	FILTRO ASPIRAZIONE AT COMPLETO	COMPLETE INTAKE FILTER AT
001	9698	CAMPANA PRESS. AF AT GRIGIA	PRESSURE ACCUM TUBE AF AT GREY
001	4692	GUARNIZIONE OR 6,07x1,78	O.R. GASKET 6.07X1.78
001	6528	BOILER AT	BOILER AT
001	4679	MANICOTTO T-BOILER	HOSE FROM T-JUNCTION TO BOILER
001	4659	MANICOTTO E.V.-BOILER	HOSE FROM VALVE TO BOILER
001	9669	SCORRIMENTO DX CAPOTTA AT	RIGHT-HAND SIDE GUIDE OF HOOD AT
001	1056	RACCORDO A T D=12	T-JUNCTION (BOILER)
001	9710	TUBO BOILER-BOILER	BOILER/BOILER HOSE
001	7947	RACCORDO A T RIDOTTO	REDUCED T-JUNCTION
001	9651	MANICOTTO MANDATA AT/ALP44	DELIVERY HOSE
001	4280	TERMOSTATO A CONTATTO RIARMO MANUALE	CONTACT THERMOSTAT
001	9736	TUBO ASPIRAZIONE POMPA LGB	INTAKE HOSE PUMP LGB
001	6647	TUBO MANDATA BRILLANTE	RISING-AID PIPE
001	9821	POMPA 2HP 380V 50HZ N.T.	PUMP 2HP 380V 50HZ N.T.
001	5205	RESISTENZA W. 4500	HEATING ELEMENT W 4500
001	1068	TUBO DI CARICO cm.200 CON GUARNIZ/RACC. F + F 90°	FILLING-HOSE WITH GASKET + JOINTS F+F
001	A1511		
001	1004	PRESSOSTATO BASSA TARATURA	LOW-SETTING PRESSURE SWITCH
001	60147	TUBO BREAK TANK AT	BREAK TANK PIPE AT
001	6805	CAMPANA PRESSOSTATO GRIGIA	PRESSURE ACCUMULATOR FOR LEVEL CONTROL
001	7659	TUBO CAMPANA PRESSOSTATO	PRESSURE ACCUMULATOR TUBE
001	51054	GUARNIZIONE NYLON 4x8 SP. 2	NYLON O.R. GASKET 4X8
001	9159	TUBO SCARICO BREAK TANK AT	DRAIN PIPE BREAK TANK AT
001	7241	TUBO T-BOILER AL DEP.	HOSE FROM T-JUNCTION TO BOILER
001	7410	TUBO RISC INF BREAK TANK AT	BREAK TANK HOSE AT
001	4921	TUBO ASP. BREAK TANK AT	BREAK TANK HOSE
001	13662	GOMITO 1/2" 90' IN OTTONE	ELBOW HOSE 1/2" 90°
001	9174	RACC.ASTA RISC.AT CON BREAK TANK	RINSE ARM + BREAK TANK (AT)CONNECTION
001	13660	PORTAGOMMA 1/2"x13 IN OTTONE	PLASTIC CONNECTION FOR RUBBER HOSES 1/2" X 13
001	8206	POMPA 280 W 28/12	PUMP 280 W 28/12
001	6662	MANICOTTO BOILER-ASTA	BOILER PIPE
001	1075	RELE' B1/2/220V C.A.	RELAY B1/2/220 ALTERNATE CURRENT
001	A9204		
001	5831	PALMARE DI PROGRAMMAZIONE	PALMTOP
001	4127	GHIERA CODOLO POMPA SCARICO 1"1/2	RING NUT OF DRAIN-ELBOW HOSE FOR DRAIN PUMP
001	4640	CODOLO PILETTA AF-AL/PS	TUB-DRAIN OF ELBOW DRAIN HOSE AF AL/PS
001	4979	MANICOTTO SCARICO AT PS	DRAIN PIPE AT PS
001	4728	FILTRO POMPA DI SCARICO	FILTER FOR DRAINING PUMP
001	7195	MANICOTTO VALVOLA-BOILER	HOSE FROM VALVE TO BOILER
001	4141	TUBO DI SCARICO mm18	DRAIN HOSE mm 18
001	4751	MOTORE PER POMPA DI SCARICO	MOTOR FOR DRAINING PUMP
001	9720	TUBO MANDATA DOSATORE USA PER AT115	DETERGENT DISPENSER OUTLET PIPE
001	5685	POMPA DOSATORE OSCILLANTE	PUMP FOR VIBRATING DETERGENT DISPENSER
001	5672	SONDA DOSATORE DETERSIVO	PROBE OF DETERGENT DISPENSER
001	9719	TUBO ASPIRAZIONE DOSATORE USA PER AT115	DETERGENT DISPENSER INTAKE PIPE
001	1516	FILTRO COMPLETO DOSATORE DETERSIVO	COMPLETE FILTER FOR DETERGENT DISPENSER
001	A9098E		
001	1515	FILTRO COMPLETO DOSATORE BRILLANTANTE	COMPLETE FILTER FOR RINSE-AID DISPENSER
001	7283	TUBO DOSATORE-SERBATOIO	HOSE FROM DISPENSER TO RINSE-AID TANK

Seite	Kredtor Artikel Nr.	IT	GB
001	2504	ELETTROVALVOLA SINGOLA 90° RIDUTT. 12L IN INGRESSO	SINGLE SOLENOID VALVE 90°C
001	9660	TELAIO PORTACESTO	RACK-HOLDER FRAME
001	9635	PIEDE INOX 2" MAN. H.105	STAINLESS-STEEL FEET 2" H. 105
001	9707	TUBO CAMPANA PRESSOSTATO	PRESSURE SWITCH BELL HOSE
001	7166	MOLLA TUBO PRESSOSTATO	SPRING OF LEVEL CONTROL HOSE
002	14101	CHIOCCIOLA POMPA DA 2 Hp (oraria)	SCROLL OF PUMP WITH ANTICLOCKWISE ROTATION
002	14145	GIRANTE POMPA 9821	PUMP IMPELLER
002	7666	TENUTA Ø13 POMPA 9821	TEIGHTENING RING Ø13
002	6633	O.R. POMPA 1.5 Hp	O.R. PUMP HP 1.5
002	9821	POMPA 2HP 380V 50HZ N.T.	PUMP 2HP 380V 50HZ N.T.
002	6634	FLANGIA POMPA 1.5 Hp	FLANGE FOR PUMP HP 1.5
002	6638	CUSCINETTO PER POMPA DA 1,5 Hp	BALL-BEARING 6204 FOR PUMP HP 1.5
002	14146	MOTORE POMPA 9821	PUMP MOTOR
002	14147	VENTOLA RAFF. POMPA 9821	PUMP FAN
002	14148	COPRIVENTOLA POMPA 9821	PUMP COVER