

**MBM**

**SPARE PARTS CATALOGUE  
ERSATZTEILKATALOG  
CATALOGUE PIECES DETACHEES  
CATALOGO PARTI RICAMBIO  
CATALOGO DE PIEZAS DE RECAMBIO  
CATALOGO PEÇAS DE REPOSICAO**

**LK611**

**05-05-2010**

# LK611

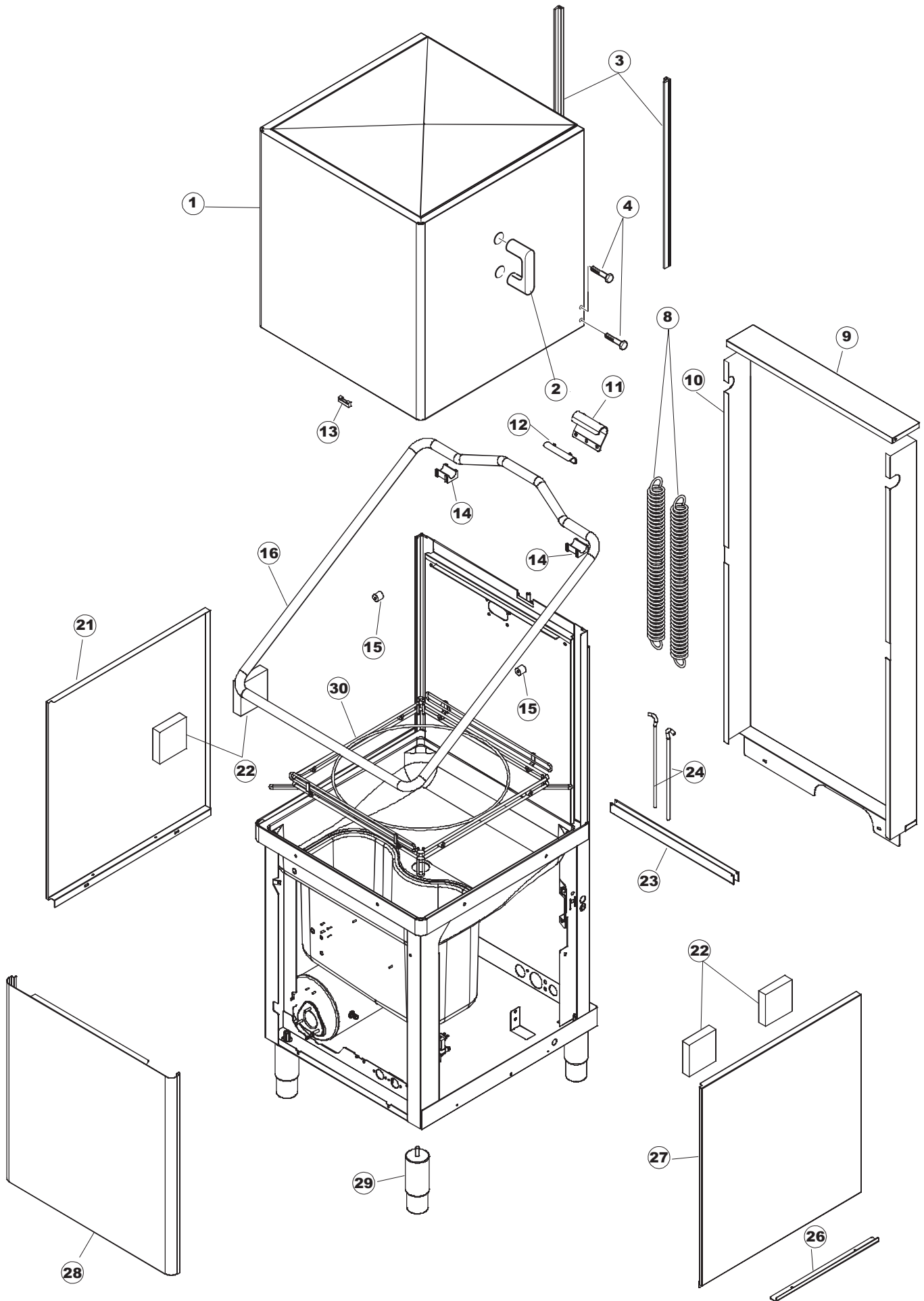
- Tav. 1 – Carrozzeria
- Tav. 2 – Impianto elettrico
- Tav. 3 – Componenti in vasca
- Tav. 4 – lance lavaggio – Risciacquo
- Tav. 5 – Pompa lavaggio

- Tav. 1 – Machine Body
- Tav. 2 – Electrical components
- Tav. 3 – Components in the tank
- Tav. 4 – Wash arms – Rinsing
- Tav. 5 – Wash pump

- Tav. 1 – Carroceria
- Tav. 2 – Instalaciòn elèctrica
- Tav. 3 – Componentes en cuba
- Tav. 4 – Lances lavages – Enjuague
- Tav. 5 – Bomba lavado

- Tav. 1 – Carrosserie
- Tav. 2 – Installation électrique
- Tav. 3 – Composants de cuve
- Tav. 4 – Rampes de lavage Rinçage
- Tav. 5 – Pompe lavage

- Taf. 1 – Verkleidung
- Taf. 2 – Elektrische Anlage
- Taf. 3 – Bauteile im Waschtank
- Taf. 4 – Spuelarme – Klarspülung
- Taf. 5 – Spülpumpe

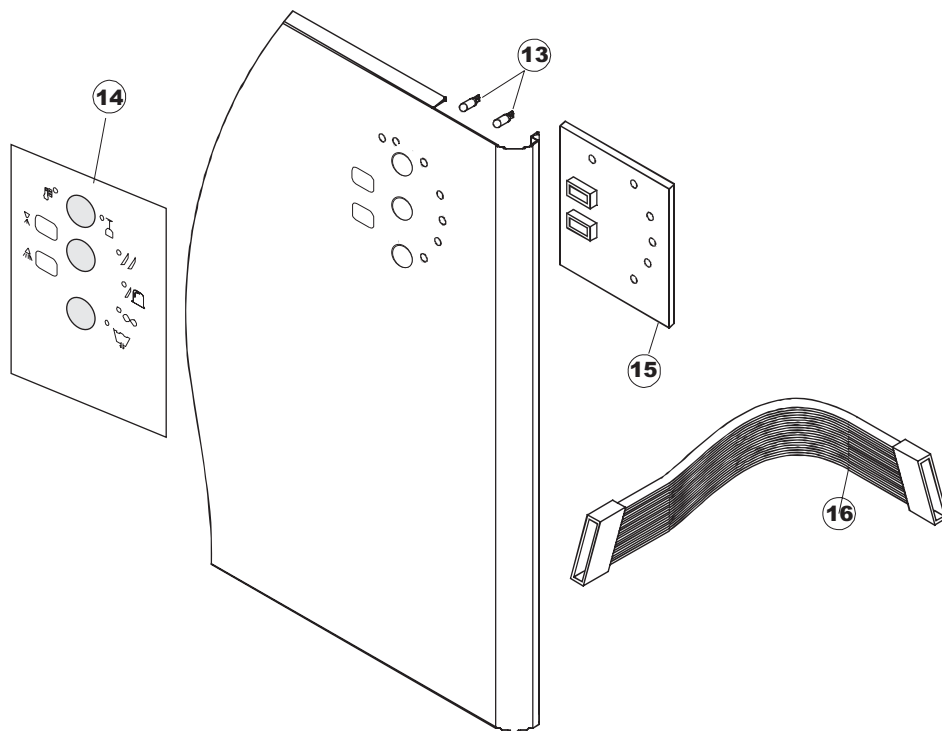
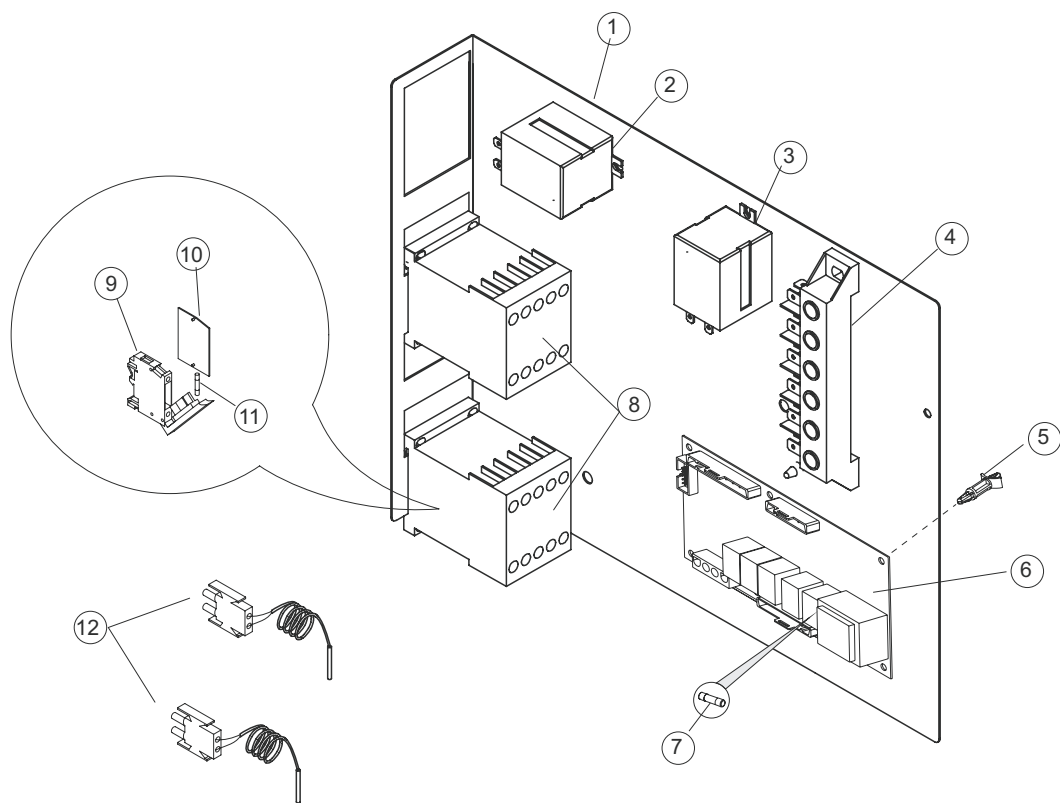


☐ Coibentazione; Insulation)

# Pagina 1

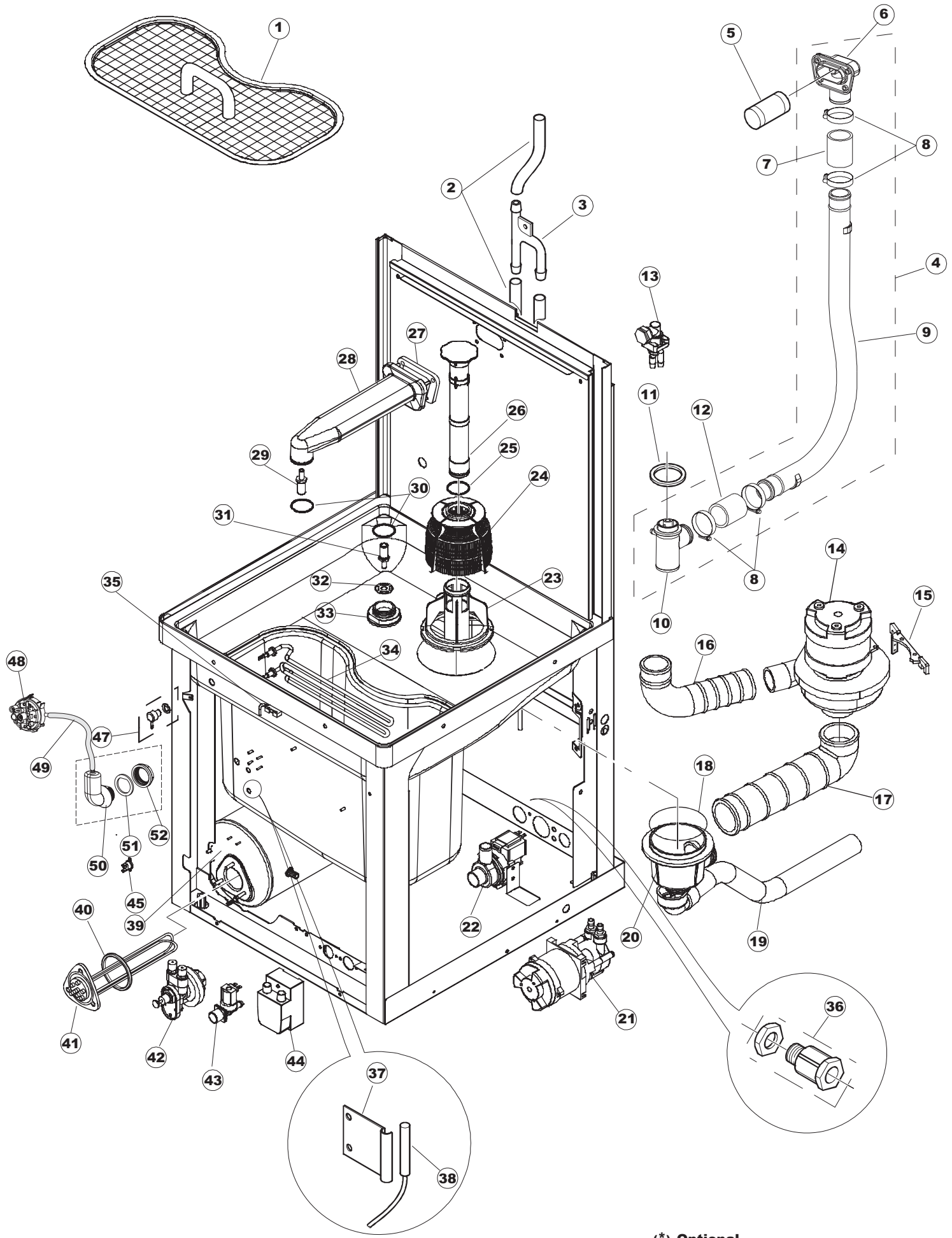
1	80141	GRUPPO CAPPА SQUADRATA COMPLETA GRUPPO CAPPА SQUADRATA	
2	926243	PONTICELLO GRIGIO MANIGLIA TIPO CLG. CONVEX TYPE HANDLE, GREY TYPE CLG. STEG, GRIFF GRAU TYP CLG. ARCADE GRIS POIGNEE TYPE CLG.	
3	80068	GUIDA CAPOT GUIDE, CAPOT FÜHRUNG, DURCHSCHUBSPÜLAUTOM. GUIDE CAPOT	
4	80998	VITE PLASTICA M4X6 (DIN933) GOLD SCREW, PLASTIC M4X6 (DIN933) GOLD SCHRAUBE, KUNST. M4X6 (DIN933) GOLD VIS PLASTIQUE M4X6 (DIN933) GOLD	
8	926108	MOLLA TRAZ.CAPOTTA f5.5 121/.. SPRING, HOOD TRAZ. f5.5 121/.. SPANNFEDER HAUBE f5.5 121/.. RESSORT TRAZ.CAPOTTA f5.5 121/..	
9	80638	TUBO PASSACAVI PANNELLO POSTERIORE	
10	80162	PANNELLO RETRO PANEL, REAR PLATTE, HINTEN PANNELLO ARRIERE	
11	80275	SQUADRA BRACKET WINKEL EQUERRE	
12	80277	SQUADRA BRACKET WINKEL EQUERRE	
13	927088	MAGNETE PER MICROINTERRUTTORE MAGNET FOR MICROSWITCH MAGNET FÜR MIKROSCHALTER AIMANT POUR MINIRUPTEUR	
14	80190	SQUADRA SUPP.MANIGLIONE BRACKET, FOR HANDLE SUPP. WINKEL, HALTER FÜR GRIFF EQUERRE SUPP.POIGNEE	
15	80105	PARACOLPI CAPOT SHOCK-ABSORBER FOR CAPOT PUFFER FÜR DURCHSCHUBSPÜLAUTOM. PARE-CHOCS CAPOT	
16	80027	MANIGLIONE RIVER HANDLE, RIVER GRIFF, RIVER POIGNEE RIVER	
21	80071	PANNELLO LATERALE SX PG FINIT PANEL, SIDE LH PG PLATTE, SEITL. LINKS PG MASCHINENF. PANNEAU LATERAL GAUCHE PG FINI	
22	41042	SPESSORE ADESIVO PANNELLI LATERALI LP STICKY DOOR SIDE THICKNESS KLEBENPER SCHLEGER TEMPON ADHÉSIF	
23	80023	SQUADRA BRACKET WINKEL EQUERRE	
24	926009	GANCIO REGOLAZIONE MOLLA 100/120/140 HOOK, ADJUST.SPRING 100/120/140 HAKEN, FEDERREGUL. 100/120/140 CROCHET REGLAGE RESSORT 100/120/140	

26	80078	SQ. FISSAGGIO SOTTOPIANI GOLD PG FINITO BRACK., UNDER-SHELVES FIX. GOLD PG FINISHED BEF.WINKEL, UNTERABLAGEFL.GOLD PG MASCHINENFERTIG EQ. FIXATION SOUS-ETAGERES GOLD PG FINI	
27	80072	PANNELLO LATERALE DX PG FINITO PANEL, SIDE RH PG PLATTE, SEITL. RECHTS PG MASCH. PANNEAU LATERAL DROITE PG FINI	
28	80090	PANNELLO FRONTALE SEDE QUADR. NEUT.COMPL	
29	926117	PIEDE REGOLABILE X CAPOTT.3LINEA FOOT, ADJUST. X CAPOTT.3LINE VERSTELLFUSS X HAUB.3LEIT. PIED REGLABLE POUR CAPOT.3LIGNE	
30	80240	TELAIO PORTACESTO CAPOT D1000 FRAME, RACK-HOLDER CAPOT D1000 RAHMEN, KORBHALTER DURCHSCHUBSPÜLAUTOM. D1000 CHASSIS PORTE-CASIER CAPOT D1000	



## Pagina 2

1	80459	PANNELLO PROTACOMPONENTI CAPOT PIEGATA FINITA PANEL PANEEL PANNEAU	
2	DER111	RELE 30A 230AC 653182300300 RELAY 30A 230AC 653182300300 RELAIS 30A 230AC 653182300300 RELAIS 30A 230AC 653182300300	
3	929115	RELE 16A 230V 62.82 RELAY 16A 230V 62.82 RELAIS 16A 230V 62.82 RELAIS 16A 230V 62.82	
4	220011	* MORSETTIERA 5.POLI + TERRA FV.122 * TERMINAL BOARD, 5-POLES + EARTH FV.122 * KLEMMENBRETT, 5-POLIG + ERDUNG FV.122 * PLAQUE A BORNE 5POLES + TERRE FV.122	
5	CWP2	PIEDINI SUPPORTO SCHEDE ELET.(ART.DRA6A) FEET, ELECTR.CARD SUPPORT(ART.DRA6A) STÜTZFÜSSE FÜR PLATINE (ART.DRA6A) PIEDS SUPPORT FICHE ELECTR.(ART.DRA6A)	
6	999298	SCHEDE ELETTRONICA MAIN BOARD KARTE CARTE ELECTRONIQUE	
7	228010	FUSIBILE 5X20 4A FAST FUSE SICHERUNG FUSIBLE	
8	80350	CONTAT 230-50/60HZ 3RT1016-1AP01 CONTACT, 230-50/60HZ 3RT1016-1AP01 KONTAKT, 230-50/60HZ 3RT1016-1AP01 CONTACT 230-50/60HZ 3RT1016-1AP01	
9	H.228047	* PORTA-FUSIBILE * FUSE-HOLDER *SICHERUNGSTRAGER * PORTE-FUSIBLE	
10	H.228048	* CHIUSURA PORTA-FUSIBILE * CLAMPING FOR FUSE-HOLDER * SICHERUNGSTRAGER-VERSCHLUSS * COUVERTURE PORTE-FUSIBLE	
11	228004	FUSIBILE 5X20 4A FAST FUSE, 5X20 4A FAST SICHERUNG, 5X20 4A FAST FUSIBLE 5X20 4A FAST	
12	231014	SONDA TEMPERATURA GET-5 PROBE, TEMP. GET-5 SONDE, TEMP. GET-5 SONDE TEMPERATURE GET-5	
13	461021	PIEDINO PL.SCHEDE PULS.X5 FOOT, PLAST. PB CARD X5 STÜTZFUSS, KUNST. DRUCKT. KARTE X5 PIED PLAST.FICHE TABL.BOUT-POUSS.X5	
14	69929	POLIESTERE	
15	80889	TASTIERA COMANDI CONTROL KEYBOARD BEDINGUNGEN-TESTENBRETT TABLEAU A POUSSOIRS COMMANDES	
16	80934	CAVO FLAT COMANDI INFERIORI CAPOT CABLE FLAT CAPOT KABEL FLAT CABLE LIAISON	



(\*) Optional

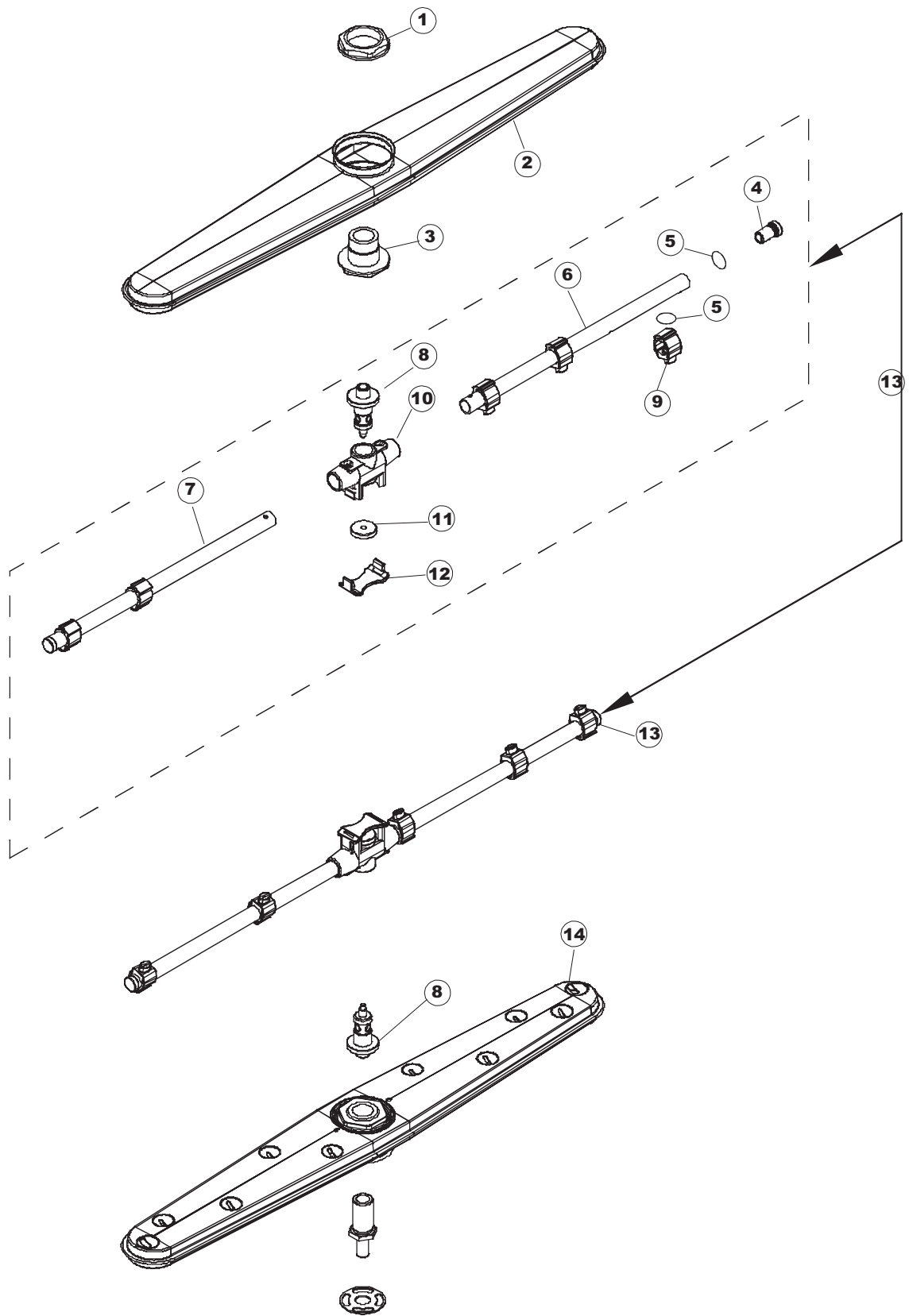


# Pagina 3

1	80259	FILTRO IN PLASTICA COMPLETO E78 FILTER, PLASTIC COMPLETE E78 FILTER, KUNST. KOMPL. E78 FILTRE EN PLASTIQUE COMPLET E78	
2	143010	TUBO PRESS.TP 12X19.5 PIPE, PRESSURE SWITCH TP 12X19.5 ROHR, DRUCKSCHALTER TP 12X19.5 TUYAU PRESS.TP 12X19.5	
3	143173	GIUNZIONE RISC.PLAST.35/40/50 JOINT, RINSE PLAST.35/40/50 VERBIND., NACHSPÜLEN KUNST.35/40/50 JOINT RINC.PLAST.35/40/50	
4	80237	CONDOTTA LAVAGGIO PLASTICA RIVER PIPE, WASHING PLASTIC RIVER LEITUNG, SPÜLEN KUNST. RIVER CONDUITE LAVAGE PLASTIQUE RIVER	
5	441009	INSERTO TENUTA D10 COLL.S621- INSERT, SEAL D10 COLL.S621- EINSATZ, DICHT. D10 SAMM.S621- INSERT ETANCHEITE D10 COLL.S621-	
6	80174	RACCORDO LAV.SUP. EST.GOLD (COL.NEUTRO) UNION, WASH.UPP.OUTS.GOLD (NEUTRAL COL.) VERBINDUNGSST., OB.SPÜL. AUSS.GOLD (NEUTR. FARBE) RACCORD LAV.SUP.EXT.GOLD (COL.NEUTRE)	
7	80189	MANICOTTO (X TUBO LAVAGGIO 80237)ART.660 SLEEVE (FOR WASH.TUBE 80237) ART.660 MUFFE (FÜR SPÜLROHR 80237) ART.660 MANCHON (POUR TUYAU LAVAGE 80237)ART.660	
8	CFS1A	FASCETTA A VITE TORRO W1/W2B 40-60/12 CLAMP, HOSE-TYPE TORRO W1/W2B 40-60/12 SCHELLE, SCHRAUBE TORRO W1/W2B 40-60/12 BANDE DE SERRAGE A VIS TORRO W1/W2B 40-60/12	
9	80238	TUBO MANDATA LAVAGGIO CAPOT  TUBO MANDATA	
10	80179	RACCORDO LAV.INF. EST.GOLD (COL.NEUTRO) UNION, WASH.LOW. OUTS.GOLD (NEUTRAL COL.) VERBINDUNGSST., UNT.SPÜL. AUSS.GOLD (NEUTR. FARBE) RACCORD LAV.INF. EXT.GOLD (COL.NEUTRE)	
11	80182	GUARNIZIONE MANDATA INF.CAPOT RV. GASKET, LOW.DELIVERY HOOD RV. DICHTUNG, UNTEN VERSORGUNG DURCHSCHUBSP. RV. JOINT REFOULEMENT INF.CAPOT RV.	
12	80189	MANICOTTO (X TUBO LAVAGGIO 80237)ART.660 SLEEVE (FOR WASH.TUBE 80237) ART.660 MUFFE (FÜR SPÜLROHR 80237) ART.660 MANCHON (POUR TUYAU LAVAGE 80237)ART.660	
13	144010	DISPOSIT.A/R.(EB) CON RACCORDO SFIATO CHECK VALVE (EB) W/DRAIN UNION RÜCKSCHLAGVORR.(EB) MIT ENTLÜFTUNG DISPOSIT.A/R.(EB) AVEC RACCORD DE VIDANGE	
14	80112	POMPA RIVER 80 PUMP RIVER 80 PUMPE RIVER 80 POMPE RIVER 80	
15	80545	SQ. SUPPORTO POMPA X 80112 & 80114 BRACK., PUMP SUPPORT X 80112 & 80114 WINKEL, HALTER FÜR PUMPE X 80112 & 80114 EQ. SUPPORT POMPE X 80112 & 80114	
16	80188	MANICOTTO MANDATA POMPA RIVER 80/81 SLEEVE, PUMP DELIVERY RIVER 80/81 MUFFE, ZUFUHR PUMPE RIVER 80/81 MANCHON REFOUL. POMPE RIVER 80/81	
17	80186	MANICOTTO ASPIRAZ.POMPA RIVER SLEEVE, SUCT.PUMP RIVER MUFFE, ABSAUG.PUMPE RIVER MANCHON ASPIRAT.POMPE RIVER	

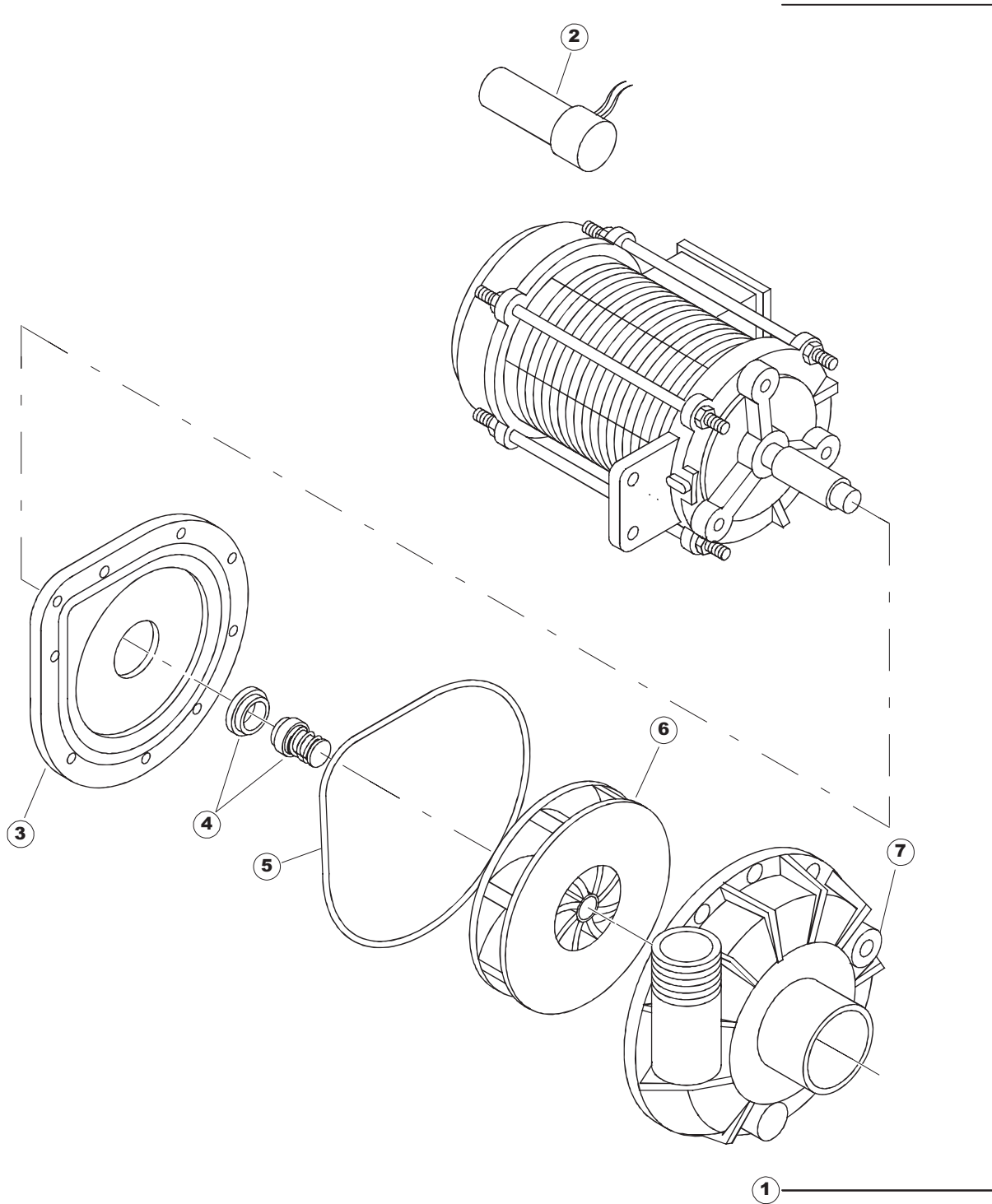
18	456040	OR 201 NBR70 22 O-ring 201 NBR70 22 O-Ring 201 NBR70 22 OR 201 NBR70 22	
19	143136	TUBO SCARICO VERS.NE INTEGR.22 PIPE, DRAIN - INTEGR. VERSION 22 ABLASSROHR - VOLLST. VERSION 22 TUYAU VIDANGE VERS.NE INTEGR.22	
20	136020	CORPO ASPIRAZIONE/SCARICO 22/44 INTAKE/DRAIN BODY 22/44 GEHAUSE, EINLASS/ABLASS 22/44 CORPS ASPIRATION/VIDANGE 22/44	
21	130143	POMPA AUSILIARIA FLANGIA PLASTICA AUXILIARY PUMP, PLASTIC FLANGE HILFSPUMPE, KUNST. FLANSCH POMPE AUXILIAIRE BRIDE PLASTIQUE	
22	80117	POMPA SCARICO RIVER DRAIN PUMP RIVER ABLASSPUMPE RIVER POMPE VIDANGE RIVER	
23	429038	GHIERA SCARICO 22/44 RING NUT, DRAIN 22/44 GEWINDERING, ABLAUF 22/44 BAGUE VIDANGE 22/44	
24	121052	FILTRO POMPA - 22/44 FILTER, PUMP - 22/44 FILTER, PUMPE - 22/44 FILTRE POMPE - 22/44	
25	CGR4131NT	O-RING 4131 VITON NERO SH.70 O-ring 4131 BLACK SCREW SH.70 O-RING 4131 SCHWARZE SCHRAUBE SH.70 O-RING 4131 VIS J11312 SH.70	
26	80249	TROPPO PIENO RIVER 80/81 OVERFLOW RIVER 80/81 ÜBERLAUF RIVER 80/81 TROP-PLEIN RIVER 80/81	
27	80178	GUARNIZIONE GASKET DICHTUNG JOINT	
28	80177	CONDOTTO LAVAGGIO SUP.RIVER PIPELINE - WASHING, UPPER RIVER LEITUNG - SPÜLEN, OB. RIVER CONDUITE LAVAGE SUP.RIVER	
29	80282	ALBERO PERNO RISC.RIVER SHAFT, WASH RINSE RIVER WELLE, ZAPFEN NACHSPÜLEN RIVER ARBRE PIVOT RINC.RIVER	
30	303032	ANELLO INOX DI TENUTA LAVAGGIO X5 RING, INOX WASH. SEAL X5 DICHTUNGSRING, INOX SPÜL. X5 BAGUE INOX D'ETANCHEITE LAVAGE X5	
31	80283	PERNO INFERIORE LANCIA LAVAGGIO ALTO PIN, LOWER, WASH.NOZZLE, HIGH ZAPFEN, UNTEN, SPÜLLANZE HOCH PIVOT INFERIEUR RAMPE DE LAVAGE HAUT	
32	80316	PARZIALIZZATORE RIVER CAPOT DRAUGHT SHUTTER RIVER CAPOT DROSSELGERAT RIVER-DURCHSCHUBSPÜLAUTOM. ETRANGLEUR RIVER CAPOT	
33	80281	GHIERA LAVAGGIO INFERIORE INTERNO ALTA RING NUT, INSIDE LOWER WASHING, HIGH GEWINDERING, INN. UNT. SPÜLEN, HOCH BAGUE LAVAGE INF. INT. HAUTE	
34	80677	RESISTENZA VASCA 2500 W 230V MONOFASE HEATING ELEMENT 2,5KW 230V (S6268) ELEKTRISCHER RESISTANCE	
35	211002	CONT.MAGNETICO+CAVO 302N.Ocm25 CONTACT, MAGNETIC+CABLE 302N.Ocm25 KONTAKT, MAGNET.+KABEL 302N.Ocm25 CONT. MAGNETIQUE+CABLE 302N.Ocm25	

36	929104	PRESSACAPO 106/21 OBO CABLE CLAMP 106/21 OBO KABELKLEMME 106/21 OBO PRESSE-CABLE 106/21 OBO	
37	H.775489-001	CLIP SONDA TEMPERATURA D5 CLIP FOR TEMP.SENSOR D5 KLIPP FÜR TEMP.FÜHLER D5 CLIP SONDE TEMPERATURE D5	
38	231014	SONDA TEMPERATURA GET-5 PROBE, TEMP. GET-5 SONDE, TEMP. GET-5 SONDE TEMPERATURE GET-5	
39	80389	BOILER RIVER CAPOT BOILER RIVER CAPOT BOILER DURCHSCHUBSPÜLAUTOM. RIVER CHAUDIERE RIVER CAPOT	
40	456002	OR 48x6,2 O-ring 48x6,2 O-Ring 48x6,2 OR 48x6,2	
41	80398C	RESISTENZA B. 9500W 230V RIVER 82/83 RESISTANCE, B. 9500W 230V RIVER 82/83 WIDERSTAND, B. 9500W 230V RIVER 82/83 RESISTANCE CH. 9500W 230V RIVER 82/83	
42	DWD3	DOSAT IDRAUL BRILL.(MAND.D6)DIB0805E4007 DISPENSER, HYDR.XRINSE-AID(MAND.D6)DIB0805E4007 DOSIERER, HYDR. FÜR KLARSP.(MAND.D6)DIB0805E4007 DOS. HYDR. TENSIOACTIF(MAND.D6)DIB0805E4007	
43	240016	VALVOLA DI CARICO 1VIA 3/4 230V PARZ.16L LOADING S.VALVE 1-WAY 3/4 230V PART.16L ZUFLUSSVENTIL 1-WEG 3/4 230V DROSS.16L SOUPAPE DE CHARG. 1VOIE 3/4 230V PARZ.16L	
44	209021	DOSAT.PERIST.DETERGENTE REG. PERISTALTIC DISPENSER (NBR-3)	
45	926189	TERMOSTATO BOILER SIC.95ø THERMOSTAT, BOILER, SAF.95ø THERMOSTAT, BOILER, SICHERH.95ø THERMOSTAT CHAUDIERE SEC. 95ø	
47	468151	RACCORDO ENTRATA SAPONE CPL NM * SALDATO UNION, EXTRA DET. CPL NM * WELDED VERBINDUNGSST., SEIFENEINTRITT CPL NM * GESCHW. RACCORD ENTREE SAVON CPL NM * SOUDE	
48	69850	PRESSOSTATO 45/22 PRESSURE SWITCH TYPE 45/22 DRUCKWAECHTER 45/22 PRESSOSTAT 45/22	
49	143131	VEDI CODICE 143005 SEE CODE 143005 SIEHE SERIENN. 143005 VOIR CODE 143005	
50	107012	CAMPANA PRESSOSTATO (L) RV40-50-CAPOTE AIR TRAP WINDKESSEL PRISE D'AIR	
51	437098	GUARNIZIONE NUOVA CAMP.PRESS. PACKING FOR AIR TRAP OF PRESSURE SWITCH DICHTUNG FUER WINDKESSEL DES DRUECKWWAEC HTERS JOINT PRISE D'AIRE PRESSOSTAT	
52	417120	DADO PLASTICA GRIGIO PLASTIC NUT KUNSTSTOFFMUTTER 1-1/4 ECROU EN PLASTIQUE	



## Pagina 4

1	80314	DADO LANCIA LAVAGGIO GRIGIO NUT, WASH-ARM GREY SCHRAUBENMUTTER, SPÜLLANZE GRAU ECROU RAMPE DE LAVAGE GRIS	
2	80311	PETTINE LAVAGGIO RIVER CAPOT COMB, WASHING RIVER CAPOT KAMM, SPÜLEN RIVER-DURCHSCHUBSPÜLAUTOM. PEIGNE LAVAGE RIVER CAPOT	
3	80310	SUPPORTO LANC/LAVAGGIO (RAL7001) SUPPORT, WASH-ARM/WASH. (RAL7001) HALTER, SPÜLLANZE/SPÜL. (RAL7001) SUPPORT RAMPE DE LAVAGE (RAL7001)	
4	926132	TAPPO PL.X BRACCIO DI RISC.(DWT312) CAP, PLASTIC FOR WASH. ARM (DWT312) PFROPFEN, KUNST. FÜR NACHSPÜLARM (DWT312) BOUCHON PL.POUR BRAS DE RINC.(DWT312)	
5	456060	OR 2025(CGR2025) O-ring 2025(CGR2025) O-Ring 2025(CGR2025) OR 2025(CGR2025)	
6	80376	TUBO RISC.(3FORI)RIVER 80/81 PIPE, RINSE(3HOLES)RIVER 80/81 ROHR, NACHSPÜLEN(3LÖCHER)RIVER 80/81 TUYAU RINC.(3TROUS)RIVER 80/81	
7	80375	TUBO RISC.(2FORI)RIVER 80/81 PIPE, RINSE(2HOLES)RIVER 80/81 ROHR, NACHSPÜLEN(2LÖCHER)RIVER 80/81 TUYAU RINC.(2TROUS)RIVER 80/81	
8	80380	PERNO PETTINE RISC.RIVER PIN, RINSE COMB RIVER ZAPFEN, NACHSPÜLKAMM RIVER PIVOT PEIGNE RINC.RIVER	
9	140028	SPRUZZO RISCIAQUO D.3,5 GRIGIO(80373) SPRAY D.3,5 GREY(80373) SPRITZ D.3,5 GRAU(80373) JET RINCAGE D.3,5 GRIS(80373)	
10	129059	CORPO RISCIAQUO GRIGIO(80371) RINSE ROTATING ARM GREY(80371) NACHSPÜLARM X5 GRAU(80371) CORPS RINCAGE GRIS(80371)	
11	454005	NOTTOLINO TORNITO D21.5 PAWLN, TURNED D21.5 KLINKE, GEDREHT D21.5 CLIQUET TOURNE D21.5	
12	412030	FERMO DI SICUR.NOTT.X5 GRIGIO(80374) SAFETY STOPPER, PAWL GREY (80374) SICHERH.HALTEVORR., KLINKE GRAU (80374) ARRET DE SECURITE CLIQUET GRIS (80374)	
13	80370	PETTINE RISCIAQUO RIVER 80/81 COMB, RINSE RIVER 80/81 KAMM, NACHSPÜLEN RIVER 80/81 PEIGNE RINCAGE RIVER 80/81	
14	80311	PETTINE LAVAGGIO RIVER CAPOT COMB, WASHING RIVER CAPOT KAMM, SPÜLEN RIVER-DURCHSCHUBSPÜLAUTOM. PEIGNE LAVAGE RIVER CAPOT	



ZF400

# Pagina 5

1	80112	POMPA RIVER 80 PUMP RIVER 80 PUMPE RIVER 80 POMPE RIVER 80	
2	206005	CONDENSATORE DA 20 mF CONDENSER - 20 mF KONDENSATOR - 20 mF CONDENSATEUR DE 20 mF	
3	315011	FLANGIA POMPA LGB T-150/160/170 FLANGE, PUMP LGB T-150/160/170 FLANSCH, PUMPE LGB T-150/160/170 BRIDE POMPE LGB T-150/160/170	
4	926255	TENUTA MECCANICA PER EL./POMPA ZF40V SEAL, MECH. FOR MOTORPUMP ZF40V DICHTUNG, MECH. FÜR ELEKTROPUMPE ZF40V JOINT MECANIQUE PER ELECTROP. ZF40V	
5	80844	GUARNIZIONE POMPA LAVAGGIO(ZF400SX-2287) ART.1743R GASKET WASH PUMP (ZF400SX-2287) DICHTUNG WASH PUMPE (ZF400SX-2287) JOINT POMPE LAVAGE (ZF400SX-2287)	
6	124031	GIRANTE CHIUSO 50HZ D.104 T170 IMPELLER, CLOSED 50HZ D.104 T170 LAUFRAD, ZU 50HZ D.104 T170 ROUE FERMEE 50HZ D.104 T170	
7	116013	CORPO POMPA S651 T150-160 PUMP SHELL, S651 T150-160 PUMPENGEHAUSE, S651 T150-160 CORPS POMPE S651 T150-160	