

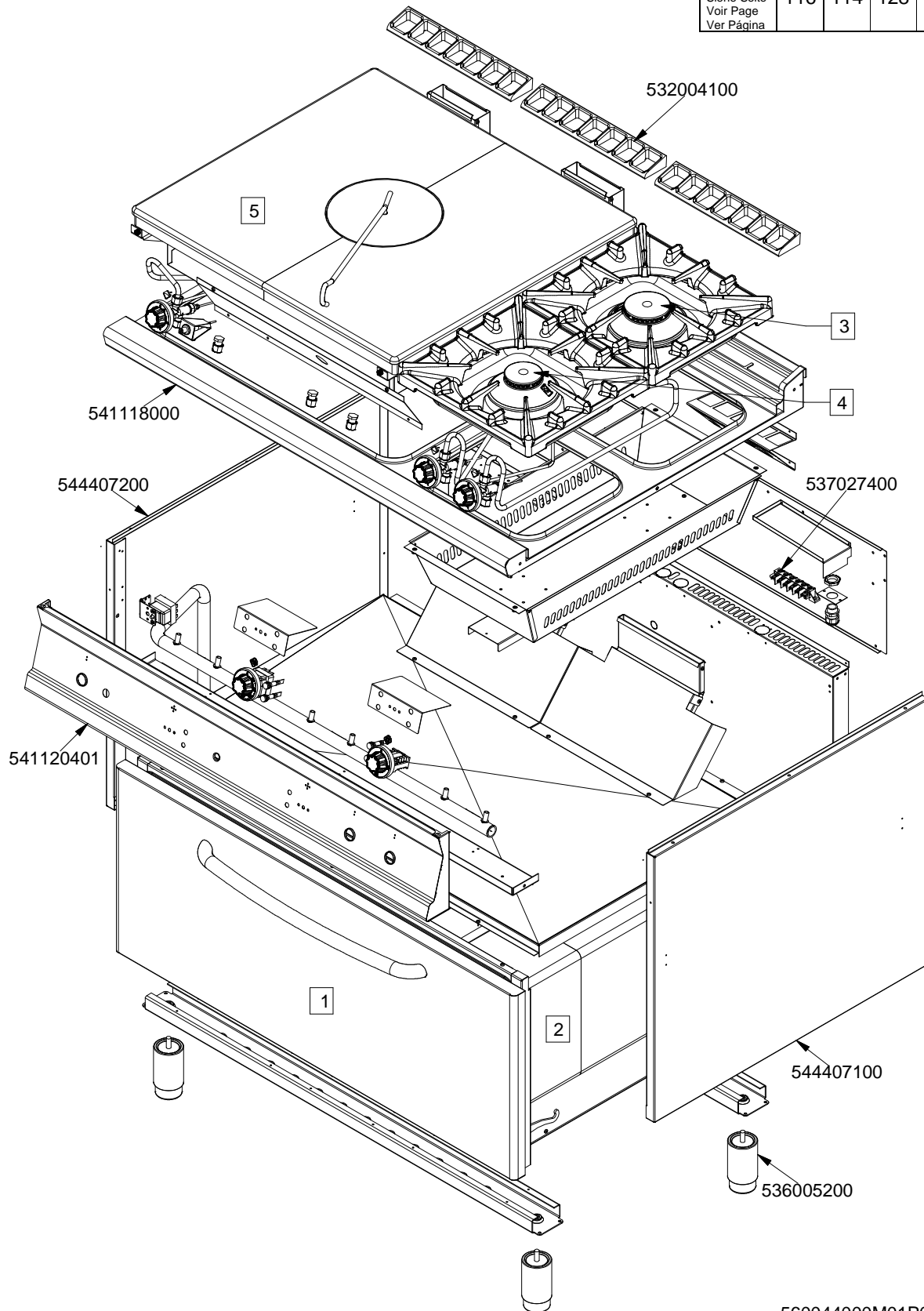
# IPERLOTUS 90

CUCINE / RANGES / HERDE / CUISINIÈRES

TPF...

TPF2-912GE

	1	2	3	4	5
Vedi Pagina See Page Siehe Seite Voir Page Ver Pagina	116	114	128	127	132



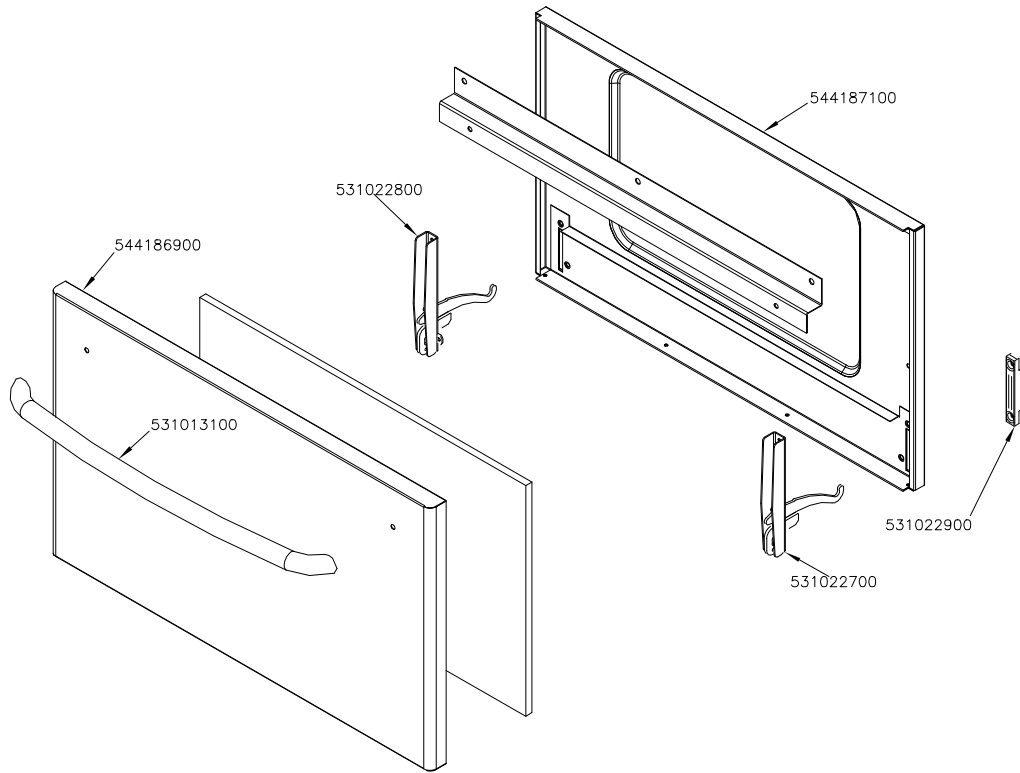
560044000M01P00

# IPERLOTUS 90

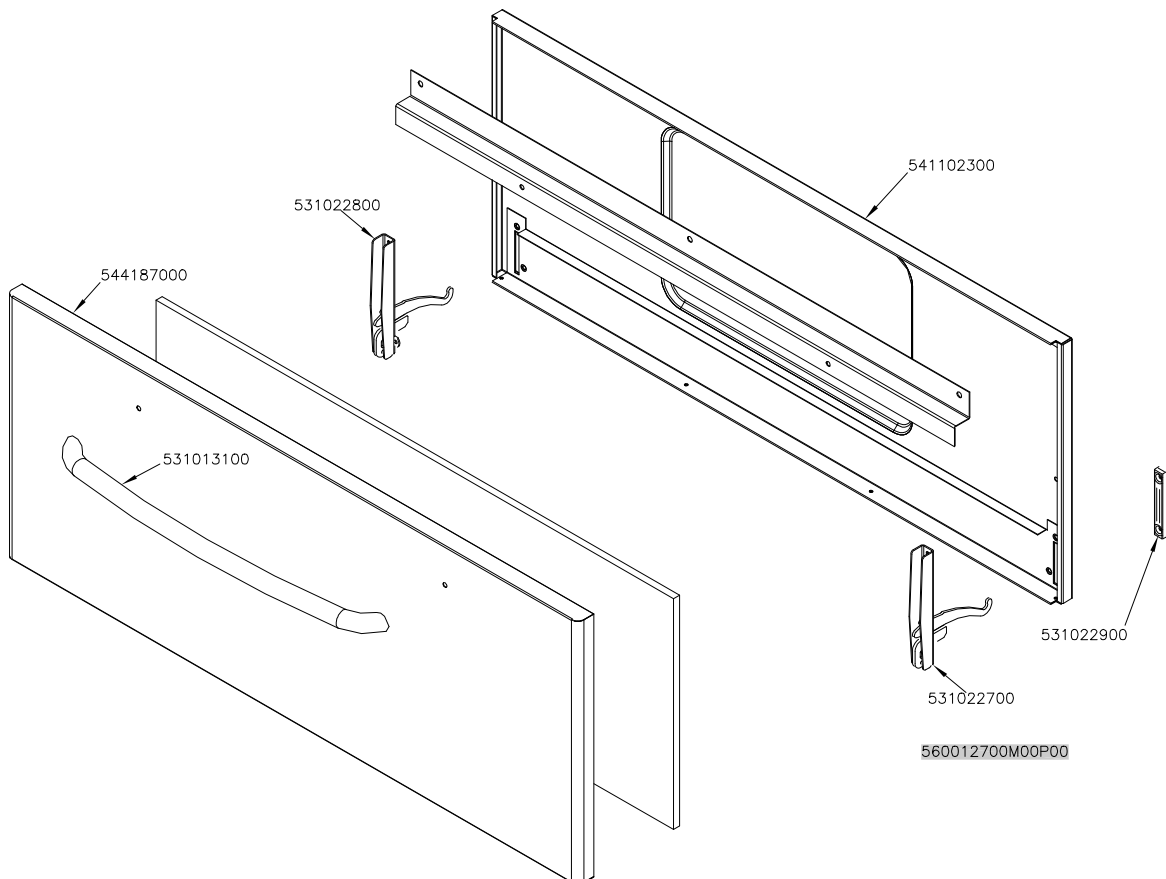
CUCINE / RANGES / HERDE / CUISINIÈRES  
FORNO / OVEN / BACKOFEN / FOUR

## PORTE / DOORS / TÜREN / PORTES

GN 2/1



GN 3/1

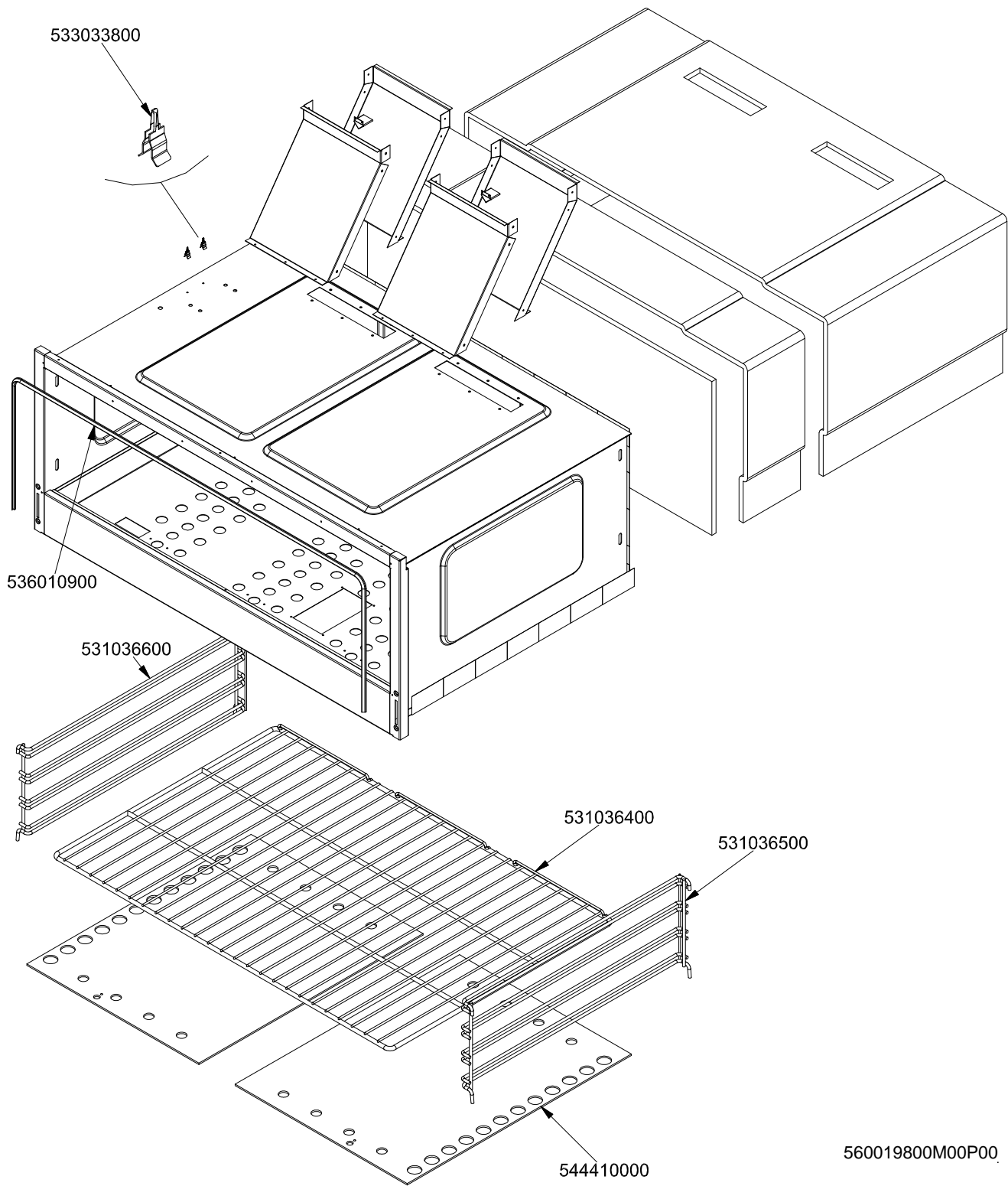


# IPERLOTUS 90

CUCINE / RANGES / HERDE / CUISINIÈRES

FORNO / OVEN / BACKOFEN / FOUR

GAS / GAS / GAS / GAZ / GN 3/1

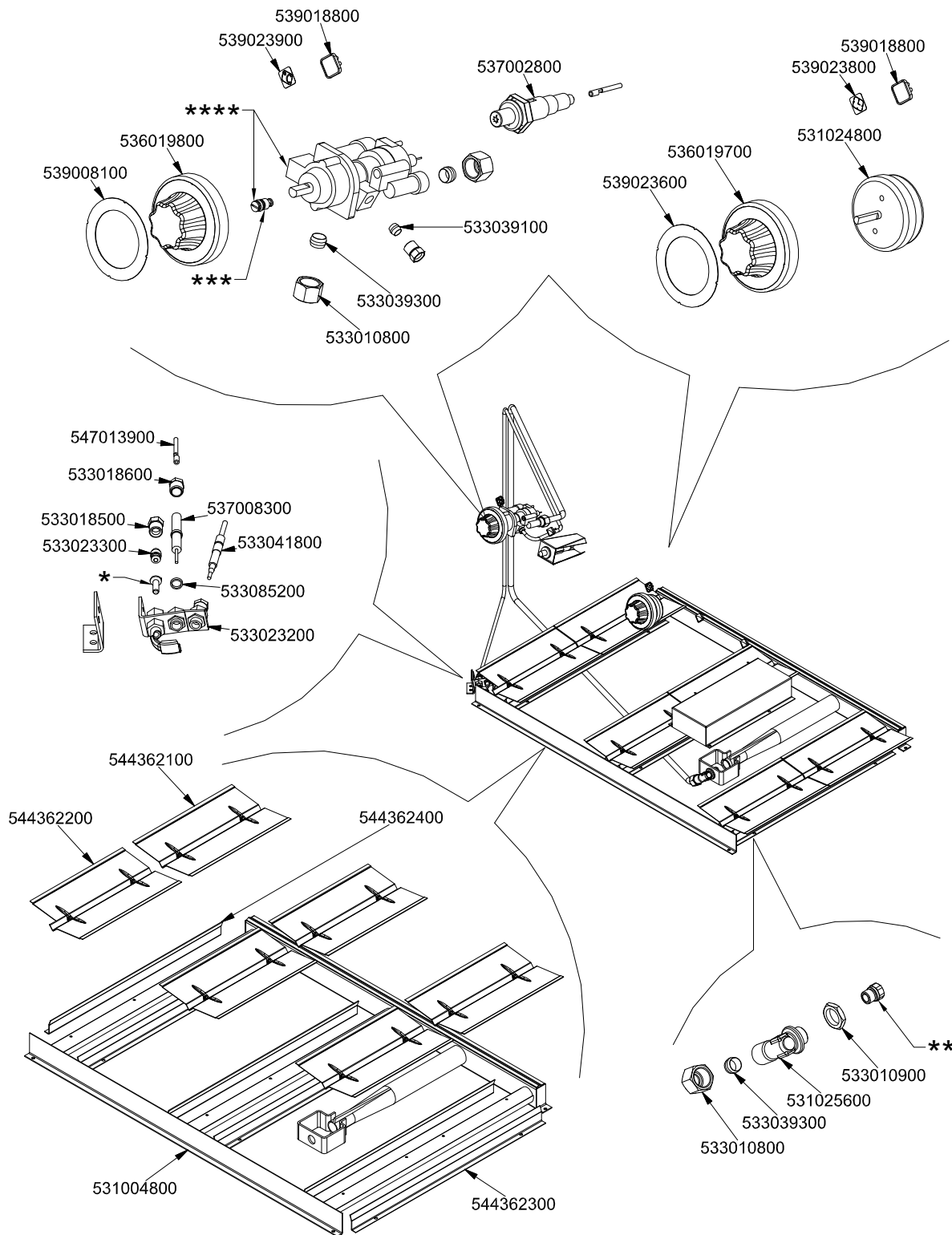


# IPERLOTUS 90

CUCINE / RANGES / HERDE / CUISINIÈRES

FORNO / OVEN / BACKOFEN / FOUR

GAS / GAS / GAS / GAZ / GN 3/1



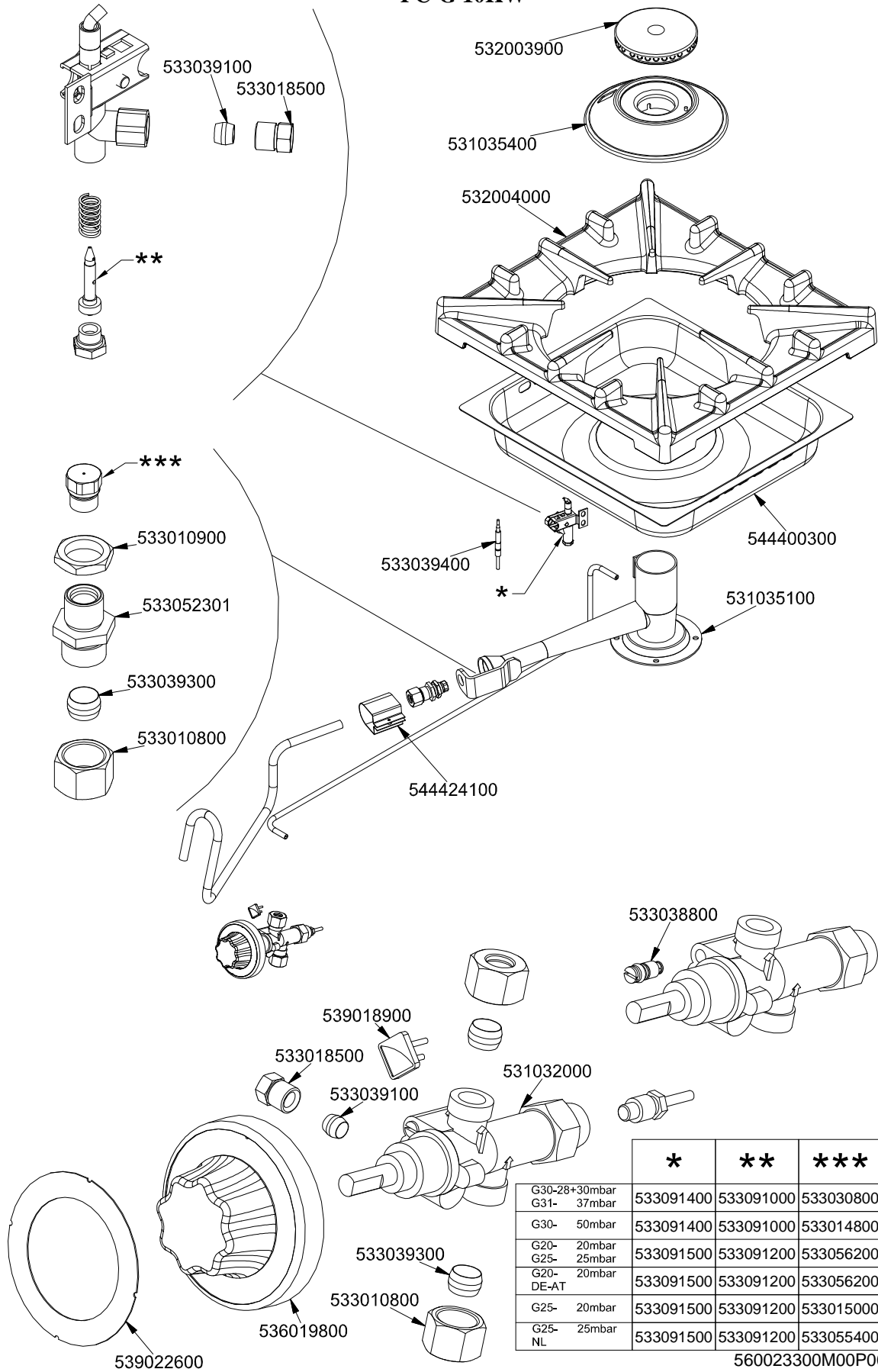
	*	**	***	****
G30-28+30mbar G31- 37mbar	533020500	533019400	533069300	531034000
G30- 50mbar	533020500	533030300	533069500	531033900
G20- 20mbar G25- 25mbar	533020600	533055700	533069300	531034000
G20- 20mbar DE-AT	533020600	533055700	533069500	531033900
G25- 20mbar	533020600	533056400	533069500	531033900
G25- 25mbar NL	533020600	533056000	533069300	531034000

560019900M00P00

# IPERLOTUS 90

COMPONENTI COMUNI / STANDARDS PARTS / UEBLICHE TEILE / COMPOSANTS COMMUNS

## PC-G 10KW

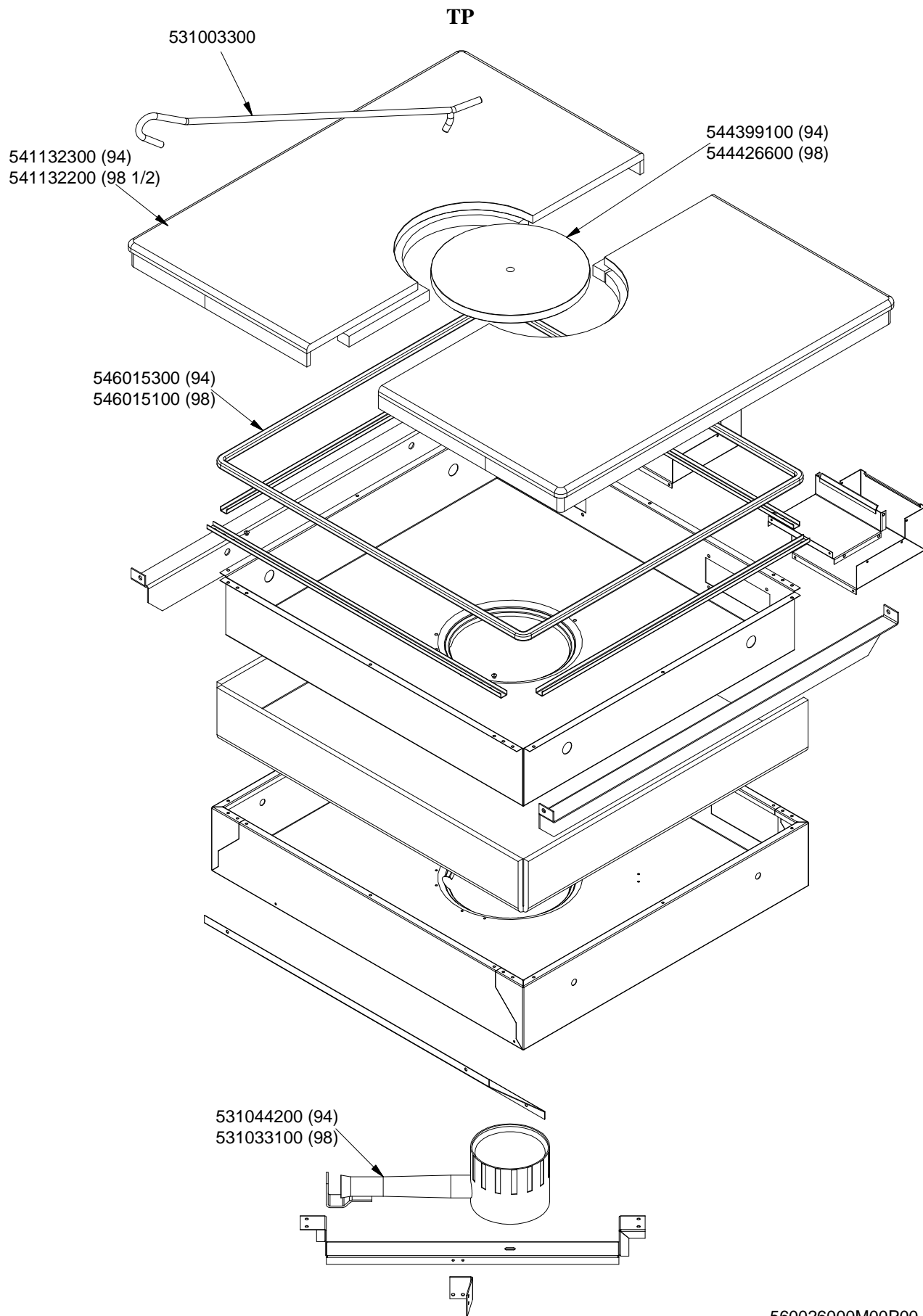


	*	**	***
G30-28+30mbar	533091400	533091000	533030800
G31- 37mbar			
G30- 50mbar	533091400	533091000	533014800
G20- 20mbar	533091500	533091200	533056200
G25- 25mbar			
G20- 20mbar	533091500	533091200	533056200
G25- 20mbar	533091500	533091200	533015000
G25- 25mbar	533091500	533091200	533055400

560023300M00P00



**IPERLOTUS 90**  
COMPONENTI COMUNI / STANDARDS PARTS / UEBLICHE TEILE / COMPOSANTS COMMUNS

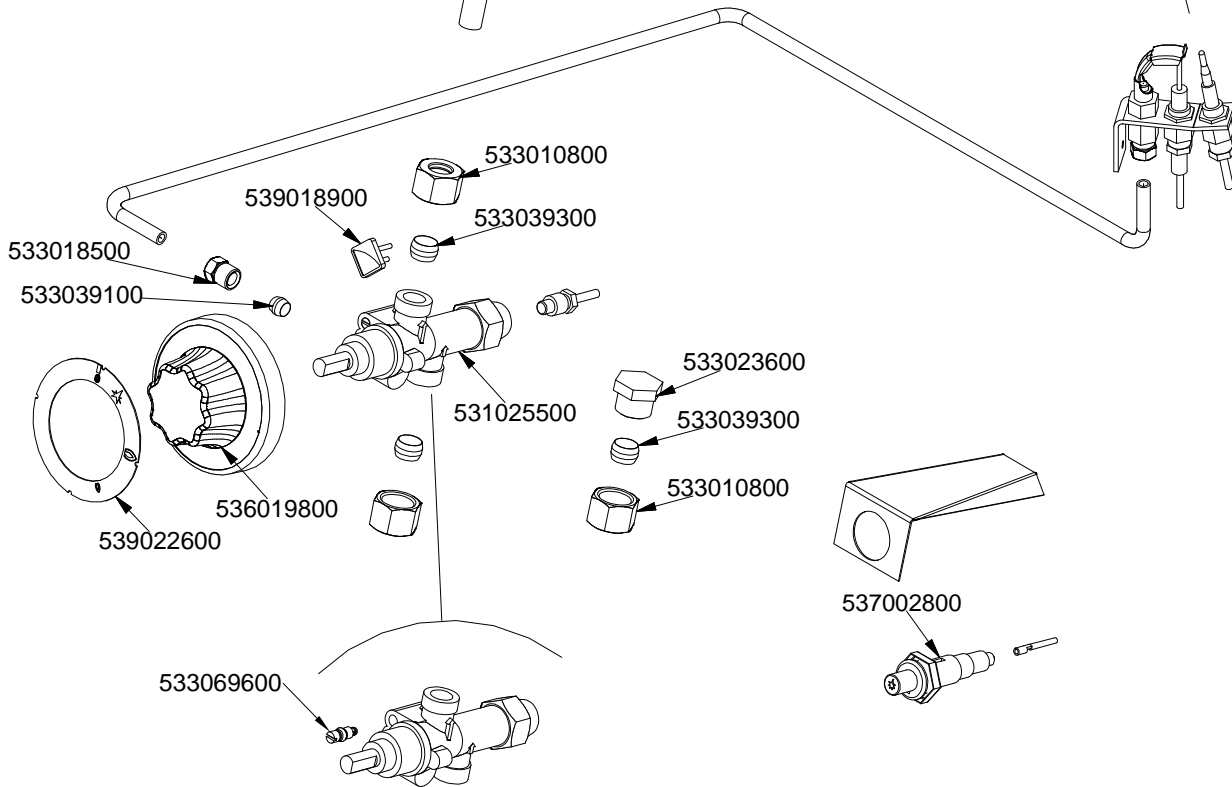
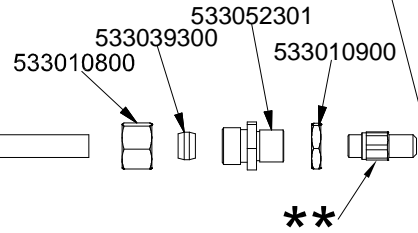
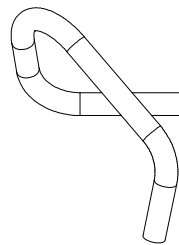
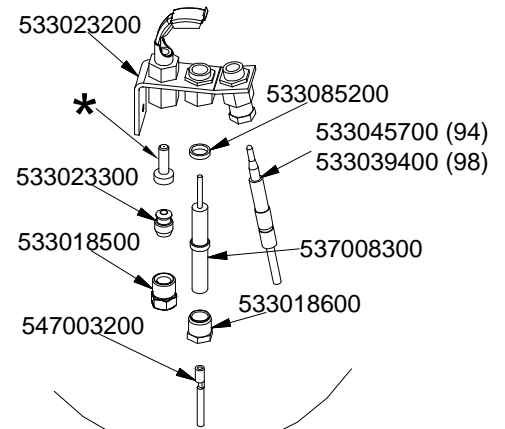


# IPERLOTUS 90

COMPONENTI COMUNI / STANDARDS PARTS / UEBLICHE TEILE / COMPOSANTS COMMUNS

## TP

	*	**	**
		TP-94	TP-98
G30-28+30mbar G31- 37mbar	533020500	533057700	533019600
G30- 50mbar	533020500	533057600	533046200
G20- 20mbar G25- 25mbar	533020600	533047400	533057500
G20- 20mbar DE-AT	533020600	533047400	533057500
G25- 20mbar	533020600	533047300	533032801
G25- 25mbar NL	533020600	533047500	533032001



560025900M00P00



Page	Pos	Code	Description
001		544407100	RIGHT SIDE PANEL RANGE 90 LINE
001		536005200	INOX LEG 2" 120-180 M10
001		541120401	CONTROL PANEL S70/90 TPF2-912GE/GEV
001		544407200	RIGHT SIDE PANEL RANGE 70 LINE
001		541118000	UPPER PLATE TP2-912G(TPF2-912G/GV)
001		532004100	FLUE GRID L=370 70LINE (RAF)
001		537027400	TERMINAL BLOCK THREEPHASE 40A
002		544187100	OVEN INNER DOOR GN 2/1 S.70
002		531022800	LEFT OVEN DOOR HINGE S.70
002		544156900	
002		531013100	OVEN DOOR HANDLE OF 70/90-LINE
002		531022900	HINGE DOOR WHEEL HOLDER S.70
002		531022700	RIGHT OVEN DOOR HINGE 70LINE
002		541102300	GAS OVEN INNER DOOR GN 3/1 S.70
002		531072800	
002		544187000	OVEN DOOR GN 3/1 S.70
003		533033800	LOCK SPRING FOR BULB §6
003		536010900	GAS OVEN GASKET GN 3/1 (1620)
003		531036600	LHD RACK HOLDER FOR OVEN S.90
003		531036400	OVEN GRID GN 3/1 FOR 90 LINE
003		531036500	RHD RACK HOLDER FOR OVEN S.90
003		544410000	90 GAS OVEN BOTTOM GN3/1
004		533019400	NOZZLE §180 CH12*14 L-FQ5
004		533030300	NOZZLE §160 CH12*14 M-FPG
004		533055700	
004		533056400	NOZZLE §340 CH12*14
004		533056000	NOZZLE §310 CH12*14
004		533020500	NOZZLE 0.140 §19
004		533020600	NOZZLE 0.140 §27
004		533069300	BY PASS COCK §100 25ST
004		533069500	BY PASS COCK §085 25ST
004		531034000	GAS COCK 25ST P.O. BY-PASS §100
004		531033900	HORIZON.THERMOSTATIC TAP BYPASS §85
004		539018800	INDEX FOR OVEN KNOB
004		539023900	SIGN PLATE FOR OVEN TEMPERATURE
004		536019800	BLACK KNOB §70 PIN §8*6,5
004		539008100	ADHESIVE GRADUATED DISC FOR KNOB
004		537002800	PIEZOELECTRIC IGNITION M18
004		539023800	SIGN PLATE FOR OVEN TIMER
004		531024800	TIMER 120'- 360°
004		536019700	BLACK KNOB §70 PIN §6*5
004		539023600	ADHESIVE GRADUATED DISC FOR KNOB
004		533039100	BICONE §6
004		533039300	BICONE §10
004		533010800	TUBE NUT D.10 M16*1,5
004		547013900	HIGH-VOLTAGE CABLE TUB.§2 L=1400
004		533018600	PLUG FITTING
004		533018500	FITTING FOR BICONE D.6 M10*1
004		537008300	ROUND PLUG §2,4- LONG ELECTRODE
004		533041800	THERMOCOUPLE 1500 M9*1
004		533085200	

Page	Pos	Code	Description
004		533023200	"TARGET" PILOT + NIPPLE TC BRAC.90°
004		544362100	UPPER BURNER DEFLECTOR FOR OVEN 70
004		544362200	UPPER PILOT DEFLECTOR FOR OVEN 70
004		544362400	SIDE PILOT DEFLECTOR FOR OVEN 70
004		531004800	BURNER FOR OVEN GN 3/1 S.70
004		544362300	SIDE BURNER DEFLECTOR FOR OVEN 70
004		531025600	ELBOW 90° NOZZLE-HOLDER §10 PIPE
004		533010900	NUT M14*1 H.4
005		533091000	NOZZLE 0.100 §20
005		533091200	PILOT NOZZLE 0100 Ø35 PIL.PC
005		533091400	P.NOZZLE S100 UG.§20 PC90 LPG-FLUS
005		533091500	PILOT NOZZLE S.100 §30 PC90 NAT.GAS
005		533030800	NOZZLE §155 CH12X14 M-CW
005		533014800	NOZZLE §135 CH12*14,0
005		533056200	NOZZLE §230 CH12*14
005		533015000	NOZZLE D.I 260 G110 (TOWN GAS)
005		533055400	NOZZLE §245 CH12*14
005		533039100	BICONE §6
005		533018500	FITTING FOR BICONE D.6 M10*1
005		532003900	BURNER COVER RING §100
005		531035400	BIG BURNER BODY 90 LINE
005		532004000	1 FLAME GRILL 396X366 (90)
005		533010900	NUT M14*1 H.4
005		533052301	JOINT FOR NOZZLE HOLDER
005		533039300	BICONE §10
005		533010800	TUBE NUT D.10 M16*1,5
005		533039400	THERMOCOUPLE M9*1*850
005		544400300	BURNER DRIP PAN 2/3
005		531035100	BIG BURNER VENTURI 90 LINE
005		544424100	
005		533038800	75 BY-PASS FOR 21S TAP
005		539018900	INDEX FOR KNOB
005		531032000	GAS COCK P.V.BY-PASS Ø075
005		536019800	BLACK KNOB §70 PIN §8*6,5
005		539022600	GRADUATED STICKER FOR KNOB
006		533091000	NOZZLE 0.100 §20
006		533091200	PILOT NOZZLE 0100 Ø35 PIL.PC
006		533091400	P.NOZZLE S100 UG.§20 PC90 LPG-FLUS
006		533091500	PILOT NOZZLE S.100 §30 PC90 NAT.GAS
006		533043800	NOZZLE §130 CH12*14 G-CW4
006		533043900	NOZZLE §115 CH12*14 F-CW4
006		533044000	NOZZLE §195 CH12*14 M-CW4
006		533055100	NOZZLE §215 CH12*14 L-CW4
006		533055000	NOZZLE §205 CH12*14 G25 CW4
006		533039100	BICONE §6
006		533018500	FITTING FOR BICONE D.6 M10*1
006		532003800	BURNER COVER RING §082
006		531035300	MEDIUM BURNER BODY 90 LINE
006		532004000	1 FLAME GRILL 396X366 (90)
006		544400200	BURNER DRIP PAN 2/3
006		531035000	MEDIUM BURNER VENTURI 90 LINE

Page	Pos	Code	Description
006		533039400	THERMOCOUPLE M9*1*850
006		544424100	
006		533010900	NUT M14*1 H.4
006		533052301	JOINT FOR NOZZLE HOLDER
006		533039300	BICONE §10
006		533010800	TUBE NUT D.10 M16*1,5
006		533080200	BY PASS COCK §65 20S-21S
006		539018900	INDEX FOR KNOB
006		531043000	GAS COCK 21S P.V. BY-PASS §065
006		536019800	BLACK KNOB §70 PIN §8*6,5
006		539022600	GRADUATED STICKER FOR KNOB
007		531003300	TP-PLATE LIFTING HOOK
008		533020500	NOZZLE 0.140 §19
008		533020600	NOZZLE 0.140 §27
008		533052301	JOINT FOR NOZZLE HOLDER
008		533039300	BICONE §10
008		533010900	NUT M14*1 H.4
008		533010800	TUBE NUT D.10 M16*1,5
008		539018900	INDEX FOR KNOB
008		533018500	FITTING FOR BICONE D.6 M10*1
008		533039100	BICONE §6
008		533023600	TAP PLUG §10 M16*1, 5CH19
008		531025500	GAS COCK 21S P.V.BY-PASS Ø130
008		536019800	BLACK KNOB §70 PIN §8*6,5
008		539022600	GRADUATED STICKER FOR KNOB
008		537002800	PIEZOELECTRIC IGNITION M18
008		533069600	BY PASS COCK §130 20S-21S
008		533085200	
008		537008300	ROUND PLUG §2,4- LONG ELECTRODE
008		533018600	PLUG FITTING
008		533023300	BICONE §6 ("TARGET" PILOT)
008		547003200	HIGH-VOLTAGE CABLE TUBE.§2 L=500
008		533023200	"TARGET" PILOT + NIPPLE TC BRAC.90°