



## Spare Parts Catalogue Series 2000

- 1 - Panels
- 2 - Oven
- 3 - Oven
- 4 - Front piece door
- 5 - Analogue panel
- 6 - Digital panel
- 7 - Heater list





## 1 - Panels

| POSITION | CODE    | DESCRIPTION                    |
|----------|---------|--------------------------------|
| 0001A    | WPVT020 | C.P.FRONT.DX F.S.2000R (WPRT0  |
| 0002     | WPST310 | PANNELLO FRONTALE SX ST        |
| 0002A    | WPVT120 | C.P.FRONT.SX F.S.2000R S(WPRT1 |
| 0003     | AC06500 | POMELLO CAMINO FORNO PL/50 M10 |
| 0004     | WSL2020 | COMP.TRAV SUP/INF 69-66 V.N.   |
| 0004     | WSL25   | FLASK                          |
| 0004     | WSL30   | UPPER/LOWER BAR UNIT 96/99/109 |
| 0004     | WSL35   | FLASK                          |
| 0005     | WPSC010 | C.CAPPA F.96/99/109 STANDARD   |
| 0005     | WSL06   | HOOD                           |
| 0005     | WSS0410 | COMP.CAPPA ST FORNO 77/1-2-3   |
| 0005     | WSS06   | CHIMNEY UNIT 66/69 STANDARD    |
| 0005A    | WPVC0   | HOOD                           |
| 0005A    | WRL06   | HOOD                           |
| 0005A    | WRS0420 | COMPL.CAPPA F.77 R SM.M        |
| 0005A    | WRS0620 | C.CAPPA RU 66-69/1-2-3 SM.M.   |
| 0006     | WPC38   | COVER                          |
| 0006     | WPC48   | COVER                          |
| 0006     | WPC57   | COVER                          |
| 0006     | WPC68   | COVER                          |
| 0006     | WPC7020 | C.COP.SUP.INF F.69 V.N T.N.    |
| 0006     | WPC72   | COVER                          |
| 0006     | WPC74   | COVER                          |
| 0007     | WP22111 | FIANCO DX F.77/96/66 (NERO)    |
| 0007     | WP33111 | FIANCO DX+SX F.69/99TV + GAS   |
| 0007     | WP44100 | FIANCO DX+SX 111+109 (NERO)TV  |
| 0008     | WP140   | COVER                          |
| 0008     | WP22200 | FIANCO SX F.96/66 (NERO)       |
| 0008     | WP33200 | FIANCO SX F.69/99 (NERO)       |
| 0008     | WP44200 | FIANCO SX 111+109 (NERO)       |
| 0009     | WP033   | REAR PANNEL                    |
| 0009     | WP133   | REAR PANNEL                    |
| 0009     | WP333   | REAR PANNEL                    |
| 0009     | WP344   | REAR PANNEL                    |





## 2 - Oven

| POSITION | CODE    | DESCRIPTION  |
|----------|---------|--|
| 0010     | AL20100 | GLASS  |
| 0011     | AL26600 | GASKET   |
| 0012     | EL06200 | MICROLAMP.AL0G.GY6.35 12V 35 W                       |
| 0013     | QAT2200 | LIGHT REFLECTOR                                      |
| 0014     | HAT6410 | FISSAGGIO LAMPADA F.S.2000                           |
| 0015     | EL05600 | COMPL.PORTALAMPADA FORNI                             |
| 0016     | WCE4000 | COMPL.CAM.ESTERNO S.2000 ACC.                        |
| 0017     | WCE3710 | CHIMNEY COVER - OPTIONAL                             |
| 0018     | DSC1400 | PROTEZ.P.REFRATT.4-8 DS/CL 66T                       |
| 0018     | HGV3120 | C.TELAIO GRATA 33 GAS V(HG310)                       |
| 0018     | HGV4020 | C.TEL.GRATA 34+109 V.A(HG410)                        |
| 0018     | HGV4520 | C.TELAIO GRATA F.111 V.A(HG450)                      |
| 0018     | KG23020 | C.TEL.GRATA SG23+69-96-5-10-11                       |
| 0018     | WGV22   | FRAME  |
| 0019     | AL15100 | PIETRA 622X606X25 22-66-MF4/8                        |
| 0019     | AL17900 | PIETRA REFR.913X455X19 F.99                          |
| 0019     | AL18000 | PIETRA REFR.1213X455X19 F.109                        |
| 0019     | AL18100 | PIETRA REF.1142X557,5X19 F111                        |
| 0019     | AL18200 | PIETRA REFR.913X606X19 F.69-96                       |
| 0019     | AL20400 | PIETRA REFR.697X355X19 F77/435                       |
| 0020C    | ZZZZ01  | SEE RESISTANCE LIST                                  |
| 0020P    | ZZZZ01  | SEE RESISTANCE LIST                                  |
| 0021     | WKLO3   | ANGOLARE SOSTEGNO RESISTENZA F96(1). F99(2). F109(2) |
| 0021     | WKLO4   | ANGOLARE SOSTEGNO RESISTENZA F.111                   |
| 0021     | WKSO4   | ANGOLARE SOSTEGNO RESISTENZA F69(2)                  |
| 0021     | WKSO510 | ASTA SOSTEGNO RESIST. 77 (1)                         |
| 0022     | MD03600 | COTTER PIN   |
| 0023     | HAT9910 | PROTEZ.BULBO INT.CAM.M+H+GAS                         |

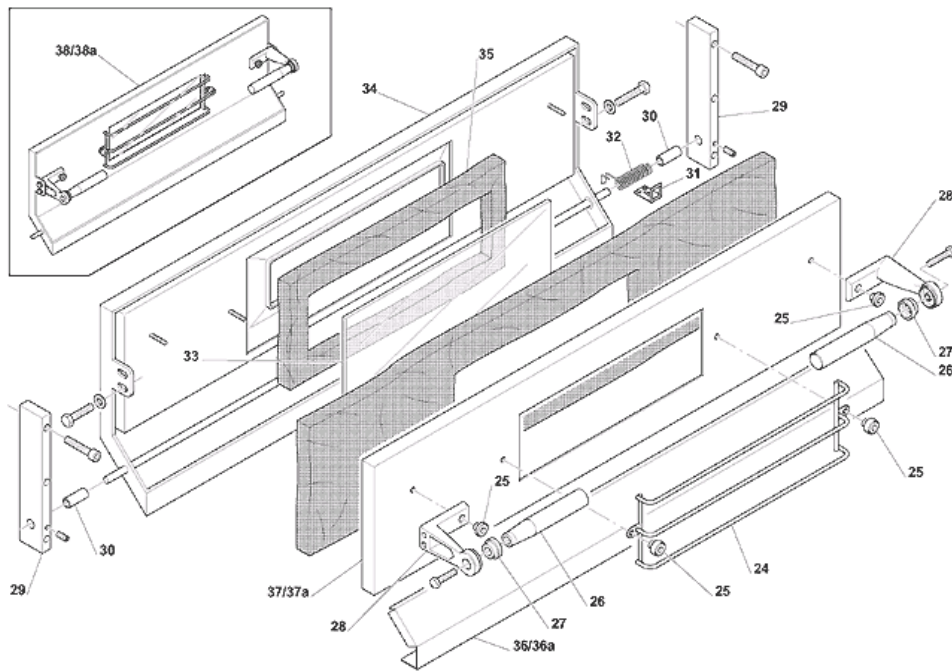




### 3 - Oven

| POSITION | CODE    | DESCRIPTION  |
|----------|---------|--|
| 0010     | AL20100 | GLASS  |
| 0011     | AL26600 | GASKET   |
| 0012     | EL06200 | MICROLAMP.AL0G.GY6.35 12V 35 W                       |
| 0013     | QAT2200 | LIGHT REFLECTOR                                      |
| 0014     | HAT6410 | FISSAGGIO LAMPADA F.S.2000                           |
| 0015     | EL05600 | COMPL.PORTALAMPADA FORNI                             |
| 0016     | WCE4000 | COMPL.CAM.ESTERNO S.2000 ACC.                        |
| 0017     | WCE3710 | CHIMNEY COVER - OPTIONAL                             |
| 0018     | HGV3120 | C.TELAIO GRATA 33 GAS V(HG310)                       |
| 0018     | HGV4020 | C.TEL.GRATA 34+109 V.A(HG410)                        |
| 0018     | HGV4520 | C.TELAIO GRATA F.111 V.A(HG450)                      |
| 0018     | KG23020 | C.TEL.GRATA SG23+69-96-5-10-11                       |
| 0018     | WGV22   | FRAME  |
| 0019     | AL15100 | PIETRA 622X606X25 22-66-MF4/8                        |
| 0019     | AL17900 | PIETRA REFR.913X455X19 F.99                          |
| 0019     | AL18000 | PIETRA REFR.1213X455X19 F.109                        |
| 0019     | AL18100 | PIETRA REF.1142X557,5X19 F111                        |
| 0019     | AL18200 | PIETRA REFR.913X606X19 F.69-96                       |
| 0019     | AL20400 | PIETRA REFR.697X355X19 F77/435                       |
| 0020c    | ZZZZ01  | SEE RESISTANCE LIST                                  |
| 0020p    | ZZZZ01  | SEE RESISTANCE LIST                                  |
| 0021     | HKSV3   | SUPPORT  |
| 0021     | WKLO3   | ANGOLARE SOSTEGNO RESISTENZA F96(1). F99(2). F109(2) |
| 0021     | WKLO4   | ANGOLARE SOSTEGNO RESISTENZA F.111                   |
| 0021     | WKSO4   | ANGOLARE SOSTEGNO RESISTENZA F69(2)                  |
| 0021     | WKSV3   | SUPPORT  |
| 0022     | MD03600 | COTTER PIN   |
| 0023     | HAT9910 | PROTEZ.BULBO INT.CAM.M+H+GAS                         |

4 - Front piece door

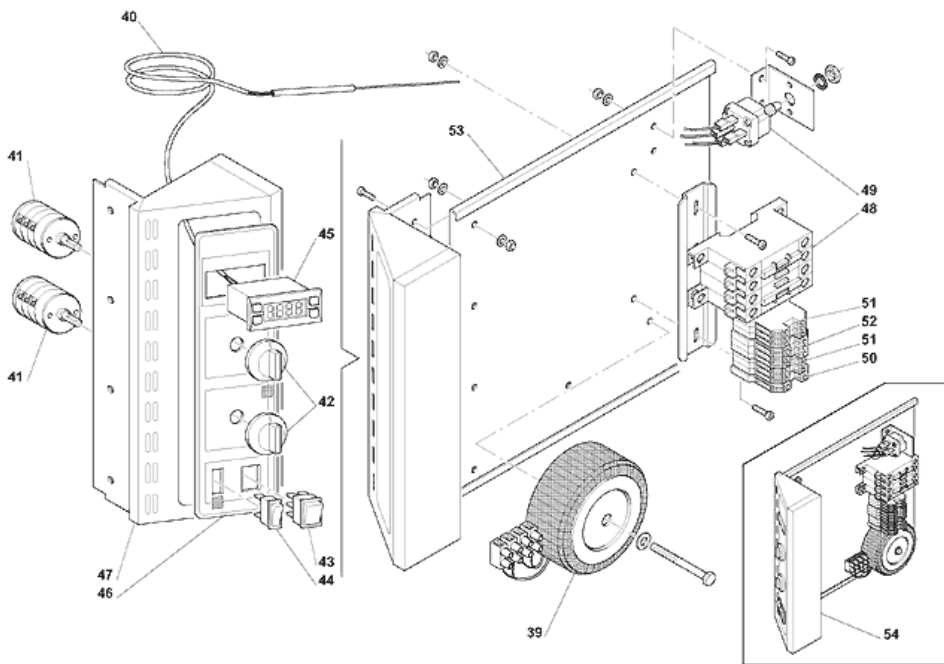






#### 4 - Front piece door

| POSITION | CODE    | DESCRIPTION                     |
|----------|---------|---------------------------------|
| 0024     | AH068   | DOOR GLASS PROTECTIVE CHR. GRID |
| 0025     | QST0320 | VOLANT.PORTA FS.2000 CR.(QAT43  |
| 0026     | AC06600 | MANOP.P.FORNO TP.N.MC/29X115    |
| 0027     | AC07100 | RONDELLA D.36 H.12 FORO 8,5     |
| 0028     | HDTV300 | PIATTO P/MANIGLIA IN ALLUMINIO  |
| 0029     | WKTB3   | DOOR SUPPORT 40X15L = 278       |
| 0030     | HKT0100 | BOCCOLA PERNO PORTA D.14X10X22  |
| 0031     | HAT0410 | ANGOLARE REG.MOLLA 4/8/5/10 TR  |
| 0032     | MD04900 | SPRING                          |
| 0033     | AL27600 | GLASS                           |
| 0034     | HDLA000 | C.TEL.PORTA F.96-99-109/11-15   |
| 0034     | HDSA000 | C.TEL.PORTA F.66-69/MF4-8-5-10  |
| 0034     | WDL0020 | C.TEL.PORTA F.111 IN ACCIAIO    |
| 0034     | WDS0020 | DOOR FRAME                      |
| 0035     | AL27810 | GUARNIZIONE VETRO 430X155 MM    |
| 0036     | HSL0100 | COPRIPORTA STAND.INF.96-99-109  |
| 0036     | HSS0100 | COPRIP.INF.S 66/69-4-8CL-5-10   |
| 0036     | WSL01   | LOWER COVER                     |
| 0036     | WSS01   | LOWER COVER                     |
| 0036A    | HRLV120 | COPR.INF.96-99-109R V.N(HSL01)  |
| 0036A    | HRSV120 | COPRIP.INF.22-23 R SM.M(HRS01)  |
| 0036A    | WRL01   | LOWER COVER                     |
| 0036A    | WRS01   | LOWER COVER                     |
| 0037     | HSLP210 | COPRIP.SUP.ST 11/15/96/99/109   |
| 0037     | HSSP210 | COPRIP.SUP.ST MODU+TRI(HSSS2)   |
| 0037     | WSL02   | UPPER COVER                     |
| 0037     | WSSP2   | UPPER COVER                     |
| 0037A    | HRLV220 | COPR.SUP.F.96-99-109RVN(HSLP2)  |
| 0037A    | HRSV220 | COP.SUP.F.66-69 ST+P.SM(HRSP2)  |
| 0037A    | WRL02   | UPPER COVER                     |
| 0037A    | WRS02   | UPPER COVER                     |
| 0038     | HSD6910 | C.PORTA 69-66S+SG22+23          |
| 0038     | HSD9910 | C.PORTA 96/99/109S+SG33         |
| 0038     | WDSL010 | C.PORTA STANDARD F.111-344      |
| 0038     | WDS31   | DOOR ASSEMBLY                   |
| 0038A    | HRD69   | DOOR ASSEMBLY                   |
| 0038A    | HRD99   | DOOR ASSEMBLY                   |
| 0038A    | WDLR010 | C.PORTA RUSTICA F.344+111 PREM  |
| 0038A    | WDR31   | DOOR ASSEMBLY                   |





## 5 - Analogue panel

| POSITION | CODE    | DESCRIPTION                    |
|----------|---------|--------------------------------|
| 0039     | EH04500 | TRANSFORMER T50W 230/12+WASHER |
| 0040     | ED06500 | TERMOC"J"D.2X250+CAVO 1,5MT    |
| 0041     | EH00900 | COMMUTAT.TRIPOLARE 16A.FORNI   |
| 0042     | AC06200 | MANOPOLA COMMUTAT.EH009+EH030  |
| 0043     | EF00400 | INTERR.BIP.LUM.ARANCIO V.400   |
| 0044     | EF02300 | DEVIAT.UNIP.NERO 16A LAMP.INT. |
| 0045     | ED07700 | TERM.IC 912 TCJ 230V.PR.SP.OEM |
| 0046     | AM44300 | TARGA COMANDI F.S.2000 MECC.TN |
| 0047     | WFB4320 | C.FR.COM.S 2000 MOD.(WFE43)V.N |
| 0048     | EN08200 | REMOTE SWITCH                  |
| 0049     | ED02300 | TERMOST.DI SICURA+RIP.MANUALE  |
| 0050     | EP071   | GROUND CLAMP 10                |
| 0051     | EP00200 | MORSETTO COMPON.WK 4/U GRIGIO  |
| 0052     | EP00900 | MORSETTO COMP.WKN 10/U GRIGIO  |
| 0053     | WPS33   | PANEL                          |
| 0054     | HS105   | ASSEMBLY PANEL                 |

**TABELLA RESISTENZE - HEATER LIST - LISTE RESISTANCE  
HEIZKÖRPER LISTE - LISTA RESISTENCIA**

| MOD.      | CODICE<br>CODE<br>CODE<br>CODE<br>CODIGO | RESISTENZA<br>HEATER<br>RESISTANCE<br>HEIZKÖRPER<br>RESISTENCIA |
|-----------|--|---|
| S - R 66  | EE 102 / cielo                           | W. 720 VOLT. 400  |
|           | EE 102 / platea                          | W. 720 VOLT. 400  |
|           | EE 245 / cielo                           | W. 850 VOLT. 230  |
|           | EE 245 / platea                          | W. 850 VOLT. 230  |
| S - R 69  | EE 149 / cielo                           | W. 1300 VOLT. 400   |
|           | EE 110 / platea                          | W. 1100 VOLT. 400   |
|           | EE 246 / cielo                           | W. 1300 VOLT. 230   |
|           | EE 246 / platea                          | W. 1300 VOLT. 230   |
| S - R 77  | EE 227 / cielo                           | W. 1100 VOLT. 400   |
|           | EE 186 / platea                          | W. 850 VOLT. 400  |
|           | EE 250 / cielo                           | W. 1100 VOLT. 230   |
|           | EE 250 / platea                          | W. 1100 VOLT. 230   |
| S - R 96  | EE 128 / cielo                           | W. 1300 VOLT. 400   |
|           | EE 106 / platea                          | W. 1100 VOLT. 400   |
|           | EE 247 / cielo                           | W. 1300 VOLT. 230   |
|           | EE 247 / platea                          | W. 1300 VOLT. 230   |
| S - R 99  | EE 150 / cielo                           | W. 1900 VOLT. 400   |
|           | EE 114 / platea                          | W. 1600 VOLT. 400   |
|           | EE 248 / cielo                           | W. 2000 VOLT. 230   |
|           | EE 248 / platea                          | W. 2000 VOLT. 230   |
| S - R 109 | EE 151 / cielo                           | W. 2100 VOLT. 400   |
|           | EE 118 / platea                          | W. 1900 VOLT. 400   |
|           | EE 249 / cielo                           | W. 2300 VOLT. 230   |
|           | EE 249 / platea                          | W. 2300 VOLT. 230   |
| S - R 111 | EE 174 / cielo                           | W. 1150 VOLT. 400   |
|           | EE 192 / platea                          | W. 900 VOLT. 400  |
|           | EE 251 / cielo                           | W. 1150 VOLT. 230   |
|           | EE 251 / platea                          | W. 1150 VOLT. 230   |

| MOD.          | CODICE<br>CODE<br>CODE<br>CODE<br>CODIGO | RESISTENZA<br>HEATER<br>RESISTANCE<br>HEIZKÖRPER<br>RESISTENCIA |
|---------------|--|---|
| S - R 66 / E  | EE 245 / cielo                           | W. 850 VOLT. 230  |
|               | EE 245 / platea                          | W. 850 VOLT. 230  |
| S - R 69 / E  | EE 246 / cielo                           | W. 1300 VOLT. 230   |
|               | EE 246 / platea                          | W. 1300 VOLT. 230   |
| S - R 77 / E  | EE 250 / cielo                           | W. 1100 VOLT. 230   |
|               | EE 250 / platea                          | W. 1100 VOLT. 230   |
| S - R 96 / E  | EE 247 / cielo                           | W. 1300 VOLT. 230   |
|               | EE 247 / platea                          | W. 1300 VOLT. 230   |
| S - R 99 / E  | EE 248 / cielo                           | W. 2000 VOLT. 230   |
|               | EE 248 / platea                          | W. 2000 VOLT. 230   |
| S - R 109 / E | EE 249 / cielo                           | W. 2300 VOLT. 230   |
|               | EE 249 / platea                          | W. 2300 VOLT. 230   |
| S - R 111 / E | EE 251 / cielo                           | W. 1150 VOLT. 230   |
|               | EE 251 / platea                          | W. 1150 VOLT. 230   |



## 7 - Heater list

| POSITION | CODE    | DESCRIPTION                    |
|----------|---------|--------------------------------|
| 0        | EE10200 | RESIS.W.720 V.400 22M/H+66 M.  |
| 0        | EE10600 | RESISTENZA W.1100 V.400 F.96M  |
| 0        | EE11000 | RESIST.W.1100 V.400 F.23-69M   |
| 0        | EE11400 | RESIS.W1600 V.400 F.33M-99M PL |
| 0        | EE11800 | RES.CIELO W.1900 V.400 34+109M |
| 0        | EE12800 | RESIST.W.1300 V.400 F.32H+96MC |
| 0        | EE14900 | RESIS.CIELO W.1300 V.400 F.69M |
| 0        | EE15000 | RESIST.W.1900 V.400 33H+99M-C. |
| 0        | EE15100 | RESIST.W.2100 V.400 F34H+109M  |
| 0        | EE17400 | RESISTENZA W.1150 V.400 44-111 |
| 0        | EE18600 | RESIST.PLATEA W.850 V.400 77M  |
| 0        | EE19200 | RES.PLATEA W.900 V.400 F.111 M |
| 0        | EE22700 | RESIST.CIELO W1100 V.400 F.77M |
| 0        | EE24500 | RESISTENZA W.850 V.230 F.66M+E |
| 0        | EE24600 | RESISTENZA W.1300 V.230 F69M+E |
| 0        | EE24700 | RESISTENZA W.1300 V.230 F96M+E |
| 0        | EE24800 | RESISTENZA W.2000 V.230 F99M+E |
| 0        | EE24900 | RESISTENZA W.2300 V.230 109M+E |
| 0        | EE250   | W. 1100 VOLT. 230              |
| 0        | EE25100 | RESISTENZA W.1150 V.230 111M+E |