

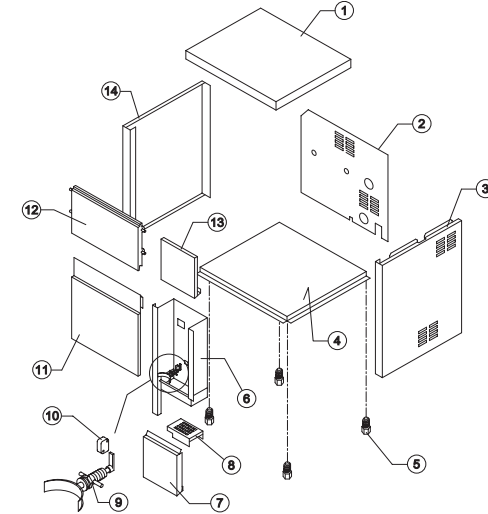


Fresh Maker

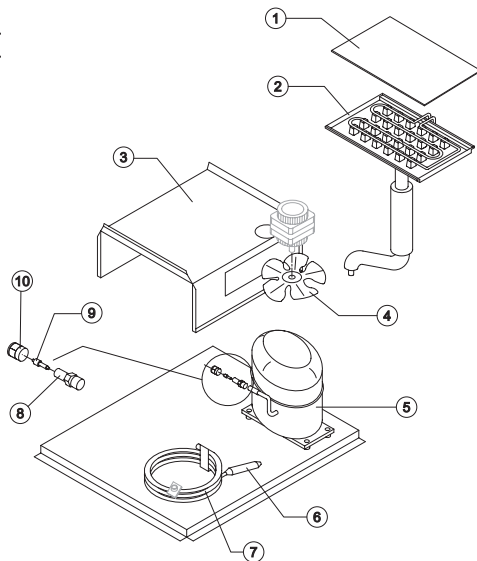
LIST OF THE EXPLODED VIEWS



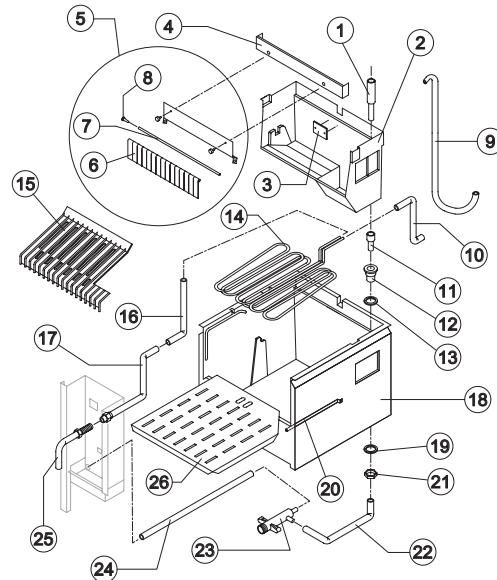
SHELL ASSY



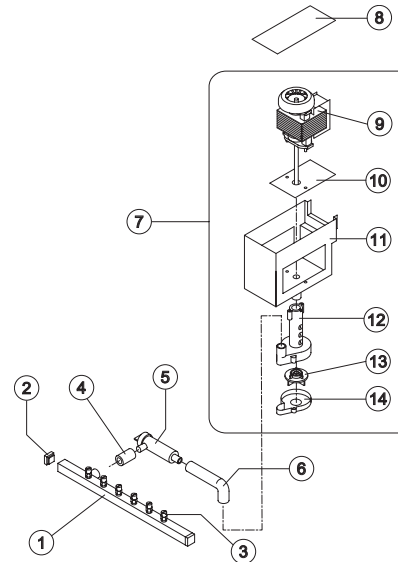
COOLING SYSTEM



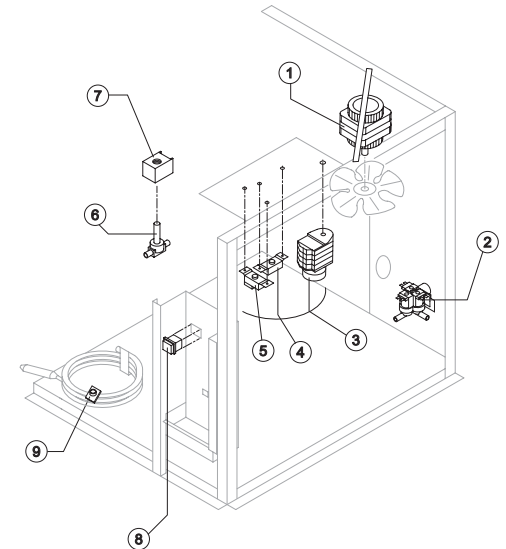
HYDRAULIC CIRCUIT



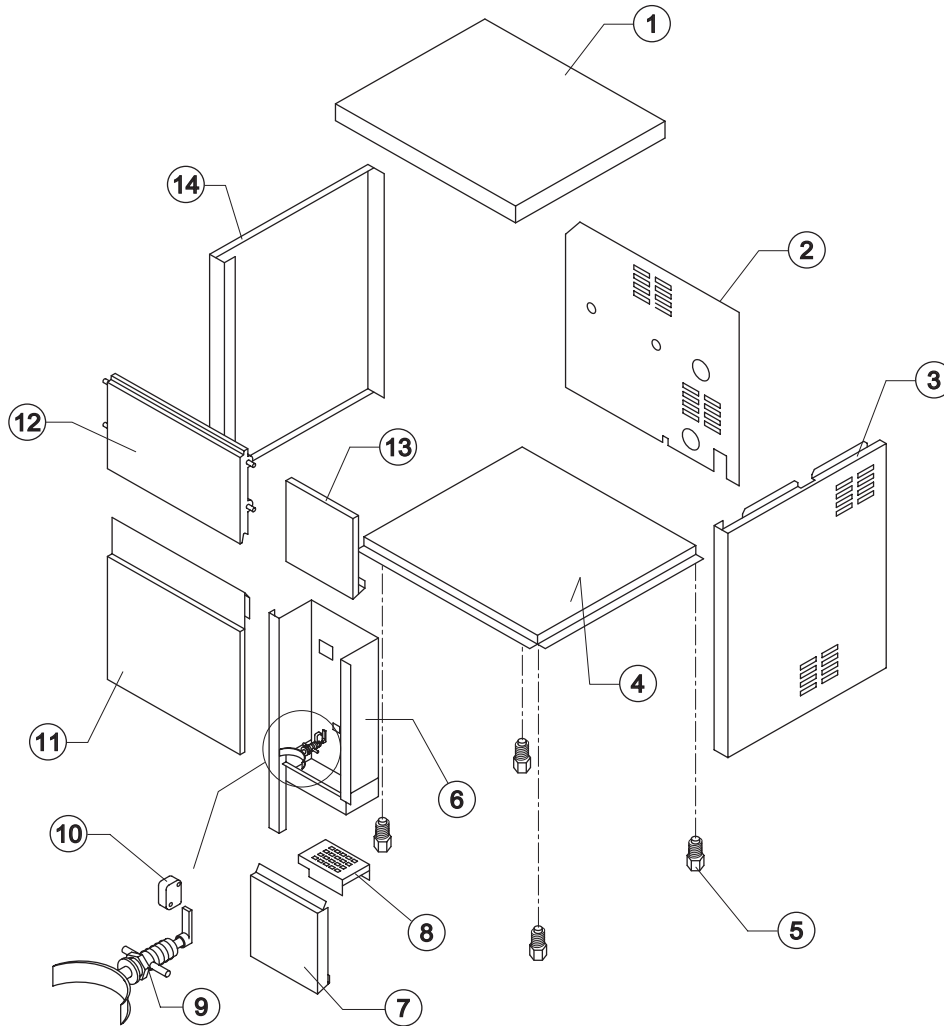
SPRAYER PUMP



ELECTRIC PARTS



Rev. 1 - 12/6/2002



Rev. 1 - 12/6/2002

Panels INOX Version

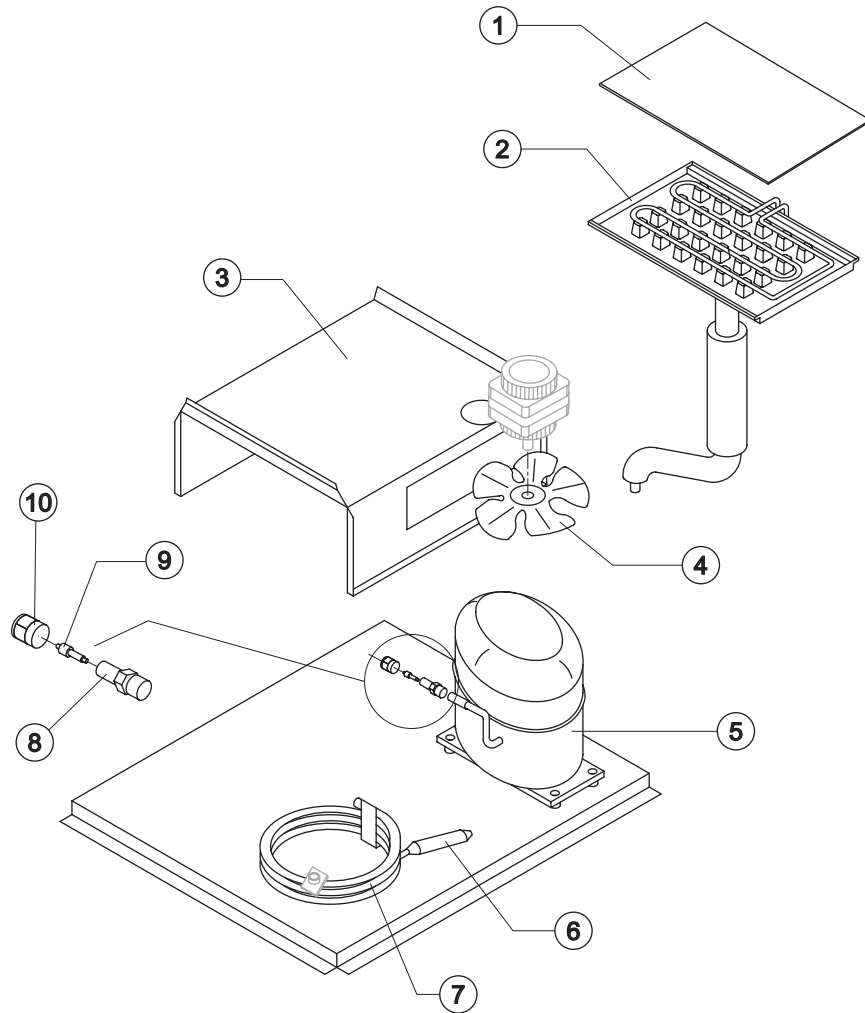
Ref.	Spare Description	Code
1	Top Assembly	C22199
2	Back Panel	22198
3	Right Side	22200
14	Left Side	22201

Panels WHITE Painted Version

Ref.	Spare Description	Code
1	Top Assembly	C21100
2	Back Panel	D21099
3	Right side	D21106
14	Left Side	D21107

Common Finishes

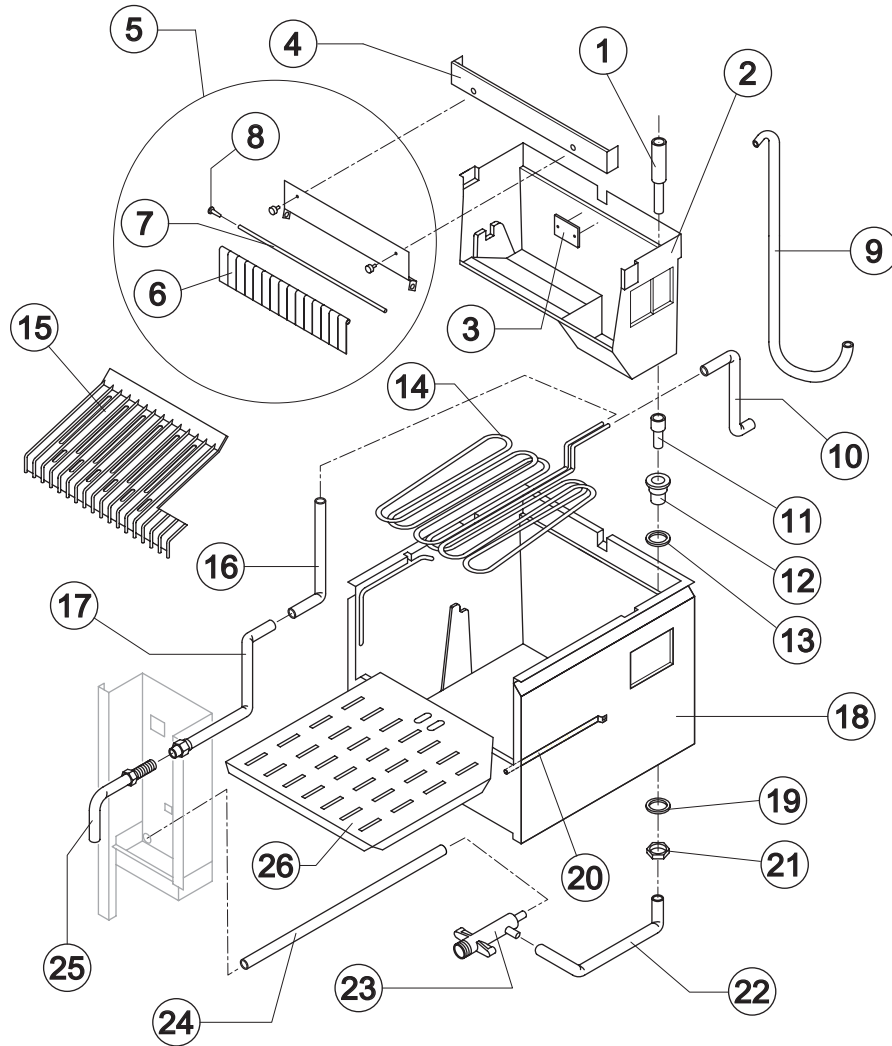
Ref.	Spare Description	Code
4	Base Plate	21105
5	Foot	10017
6	Ice Dispenser Panel	22273
7	Basin Cover Panel	22190
8	Glass Support	22183
9	Push Ice Dispenser Assembly	C26544
10	Microswitch	23055
11	Front Panel (Bin Side)	22189
12	Dark Grey Door	10277
13	Faucet Cover	22197



Ref.	Spare Description	Code
1	Evaporator Cover	10076
2	Evaporator	D10079
3	Bin Support Saddle	21108
4	Pressing Fan Blade	20193
5	Compressor	See Table
6	Molecular Drier	14009
7	Water Condenser	14100
8	Vacuum-Charge Valve Body	14007
9	Vacuum-Charge Valve Device	14005
10	Vacuum-Charge Valve Plug	14006

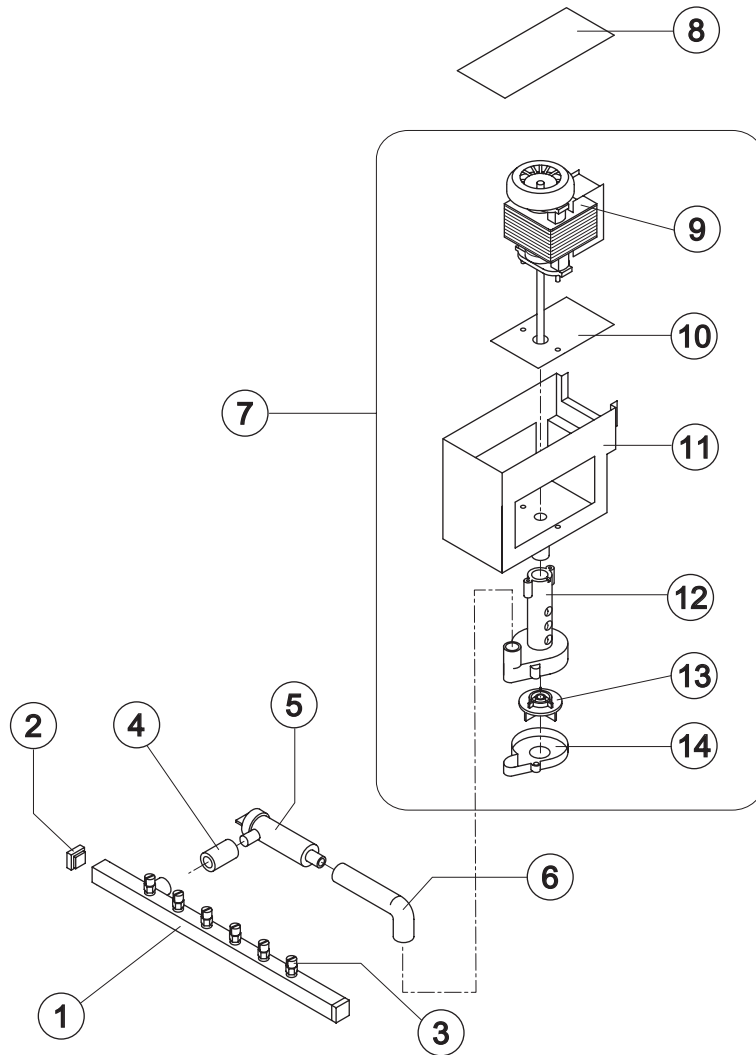
Ref. 5 - Compressor

Tension	Refr. R404A	Refr. R22
220/240V 50 Hz	23436	23197
220/230V 60 Hz	23494	23346
110/115V 60 Hz	23446	23368



Ref.	Spare Description	Code
1	Overflow Pipe	13028
2	Inner Basin	10064
3	Slide Keep Plate	10142
4	Evaporator Holder	22097
5	Flags Support Assy	C22106
6	Flag	10005
7	Flags Rod	12029
8	Flags Rod Clip	10010
9	Evaporator Feeding Pipe	13042
10	Inlet Valve-Coil Connection Pipe	13041
11	Overflow Pipe	13045
12	Plastic Nipple water Outlet	10007
13	Silicone Gasket	13006
14	Water Coil	14099
15	Ice Cubes Slide	10136
16	Coil-Faucet Connection Pipe	13040
17	Faucet Feeding Pipe	14102
18	Foamed Bin	11016/E
19	Semirigid Polyethylene Gasket	13007
20	Bulbe Thermostat Tube	Current Version 20519
20	Bulbe Thermostat Tube	Till s/n. 95671 20092
21	Bin Discharge Nut	10096
22	Bin Discharge Pipe	13044
23	Discharge Manifold	C10121
24	Dispenser Discharge Pipe	13043
25	Faucet	20195
26	Coil Covering Plate	22188

Rev. 1 - 12/6/2002



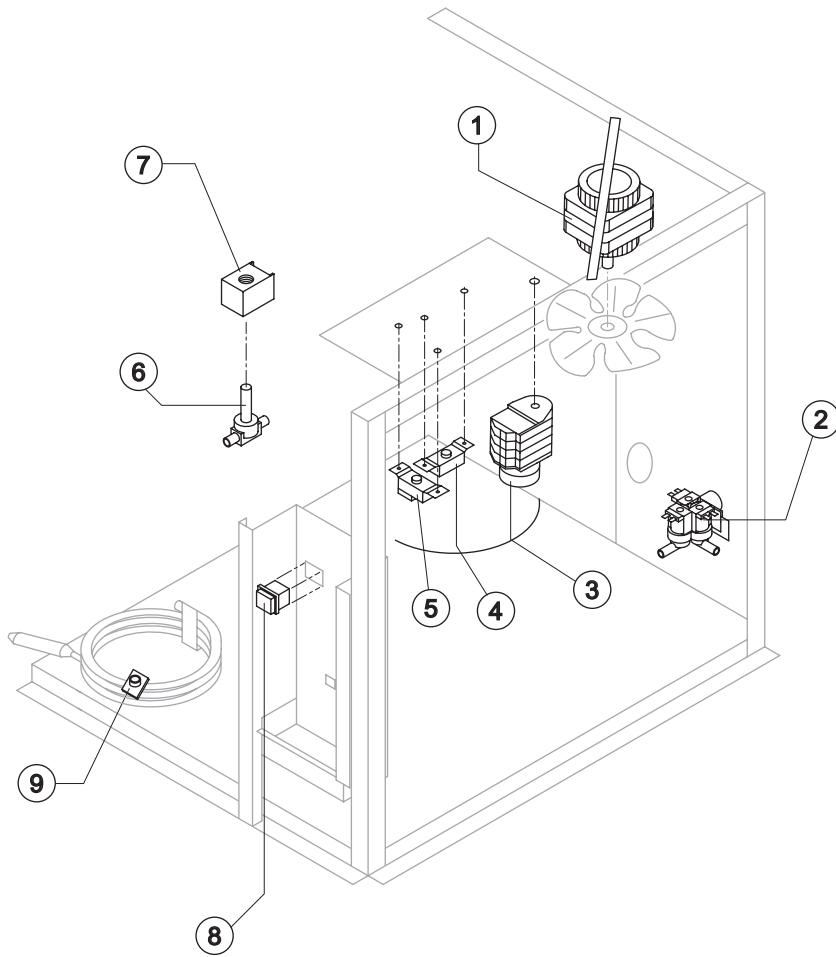
Ref.	Spare Description	Code	
1	Sprayers Bar Assembly	C20147	
2	Sprayers Bar Plug	10012	
3	Sprayer	D20002	
4	Filter-Sprayers Bar Connection Pipe	13056	
5	Pump Filter	10139	
6	Pump-Filter Connection Pipe	13055	
7	Pump Assy	See Table	-
8	Pump Cover	22096	
9	Pump Motor	See Table	-
10	Heat Dissipator	22430	
11	Pump Motor Container	10073	
12	Pump Body	10065	
13	Pump Imeller	10066	
14	Diffuser	10067	

Ref. 7 - Pump Assy

Tension	Code
220/240V 50 Hz	C23076
220/230V 60 Hz	C23270
110/115V 60 Hz	C23271

Ref. 9 - Pump Motor

Tension	Code
220/240V 50 Hz	23073
220/230V 60 Hz	23187
110/115V 60 Hz	23188



Ref.	Spare Description	Code
1	Fan Motor	See Table -
2	Inlet Watervalue 3 Ways	See Table -
3	Timer	See Table -
4	Bin Thermostat	23005
5	Evaporator Thermostat	23591
6	Hot Gas Valve Body	20410
7	Hot Gas Coil	See Table -
8	Green Light Switch	23327
9	Safety Thermostat	C23114

Ref. 1 - Fan Motor

Tension	Code
220/240V 50 Hz	23029
220/230V 60 Hz	23029
110/115V 60 Hz	23265

Ref. 2 - Inlet Watervalue 3Ways

Tension	Code
220/240V 50 Hz	23144
220/230V 60 Hz	23144
110/115V 60 Hz	23269

Ref. 3 - Timer

Tension	Code
220/240V 50 Hz	23247
220/230V 60 Hz	23247
110/115V 60 Hz	23258

Ref. 7 - Hot Gas Coil

Tension	Code
220/240V 50 Hz	23091
220/230V 60 Hz	23091
110/115V 60 Hz	23256