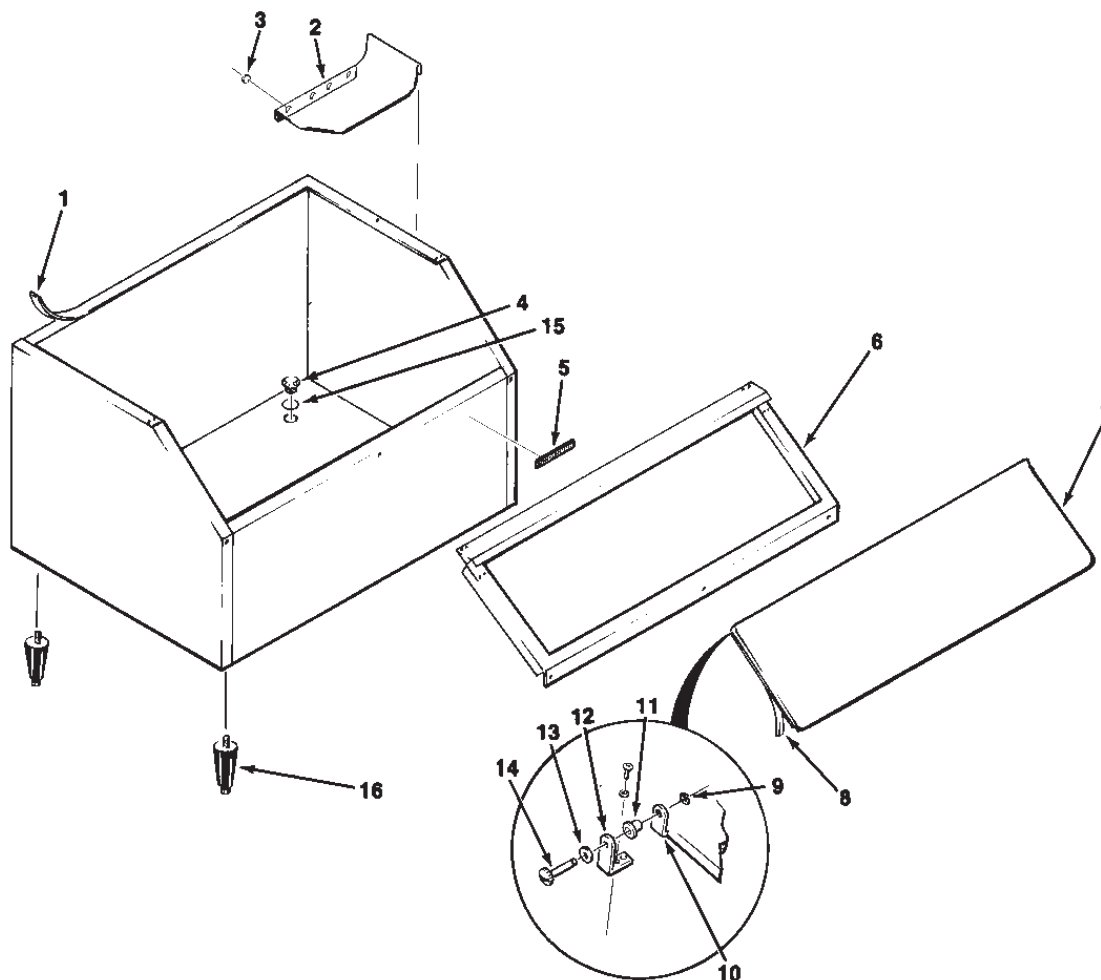


Bins, Condensers, and Accessories Service Parts

B40 & B60



Item Number	Part Number	Description
1	19-0503-04	Gasket
2	A26449-001	Deflector
3	13-0115-00	Grommet
4	02-2809-01	Drain top
5	15-0711-01	Emblem
6	A25852-020	Frame
7	A25854-020	Door - includes gasket
8	13-0595-00	Gasket (needs 5')
9	03-1539-09	E-ring
10	A25258-001	Hinge
11	02-2380-01	Spacer
12	A25259-001	Hinge
13	02-2380-02	Spacer
14	02-2806-01	Shoulder screw
15	13-0617-11	O-ring
16	KLP2E	Legs, black
	KLP2S	Legs, nickel plated