

MODULO 900

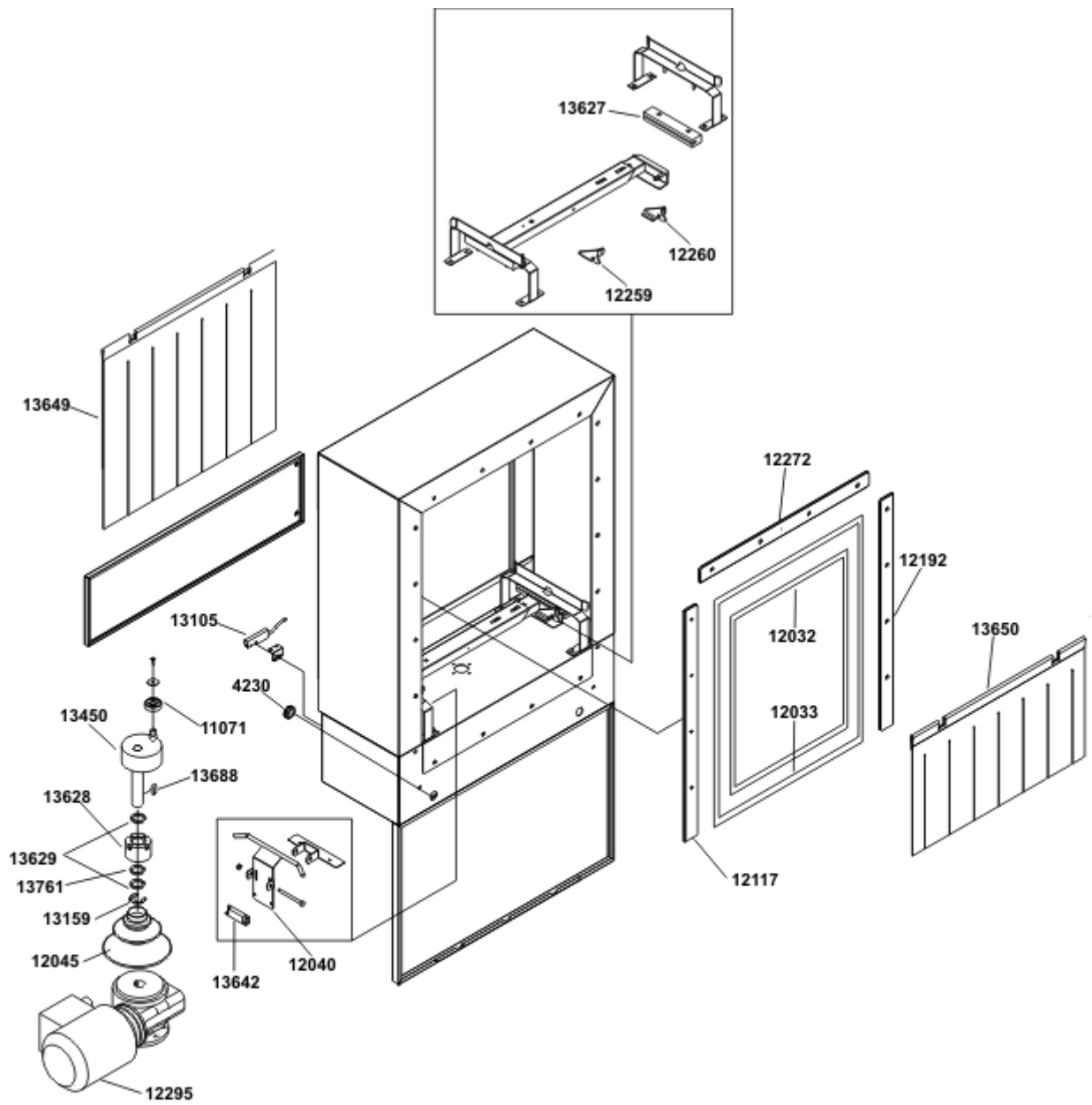
Dis. n° EM.ATR.164

Data: 01/01/16



Professional dishwashers

A.T.A. S.R.L. 35028 CONSELVE (PD) ITALY VIALE DEL PROGRESSO 20 - Z. I. PHONE 049/9500555 (4 LINEE R.A.) FAX 049/9500560



www.atasrl.com

MODULO INGRESSO

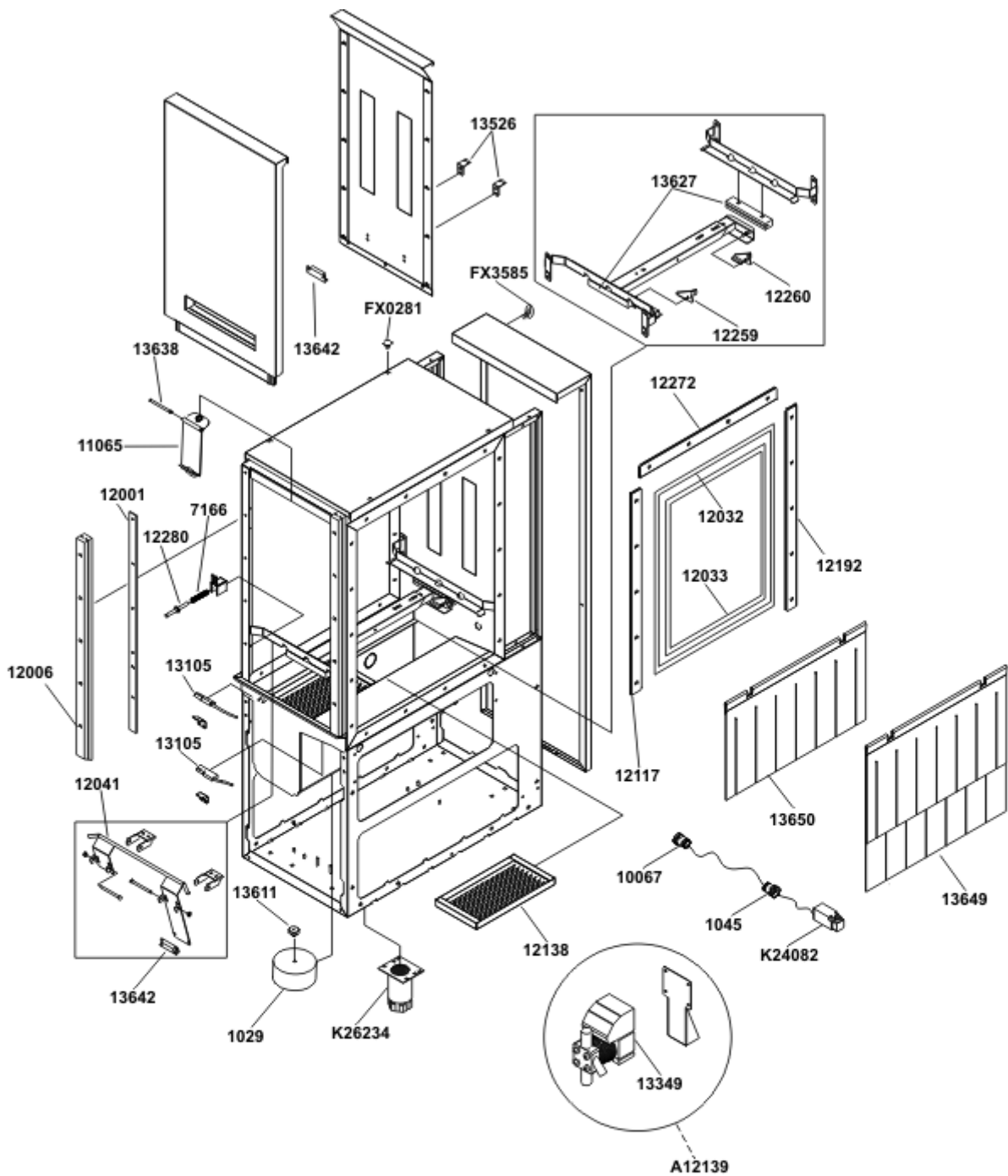
Dis. n° EM.ATR.160

Data: 01/01/16



Professional dishwashers

A.T.A. S.R.L. 35026 CONSELVE (PD) ITALY VIALE DEL PROGRESSO 20 - Z. I. PHONE 049/9500555 (4 LINEE R.A.) FAX 049/9500560



www.atasrl.com

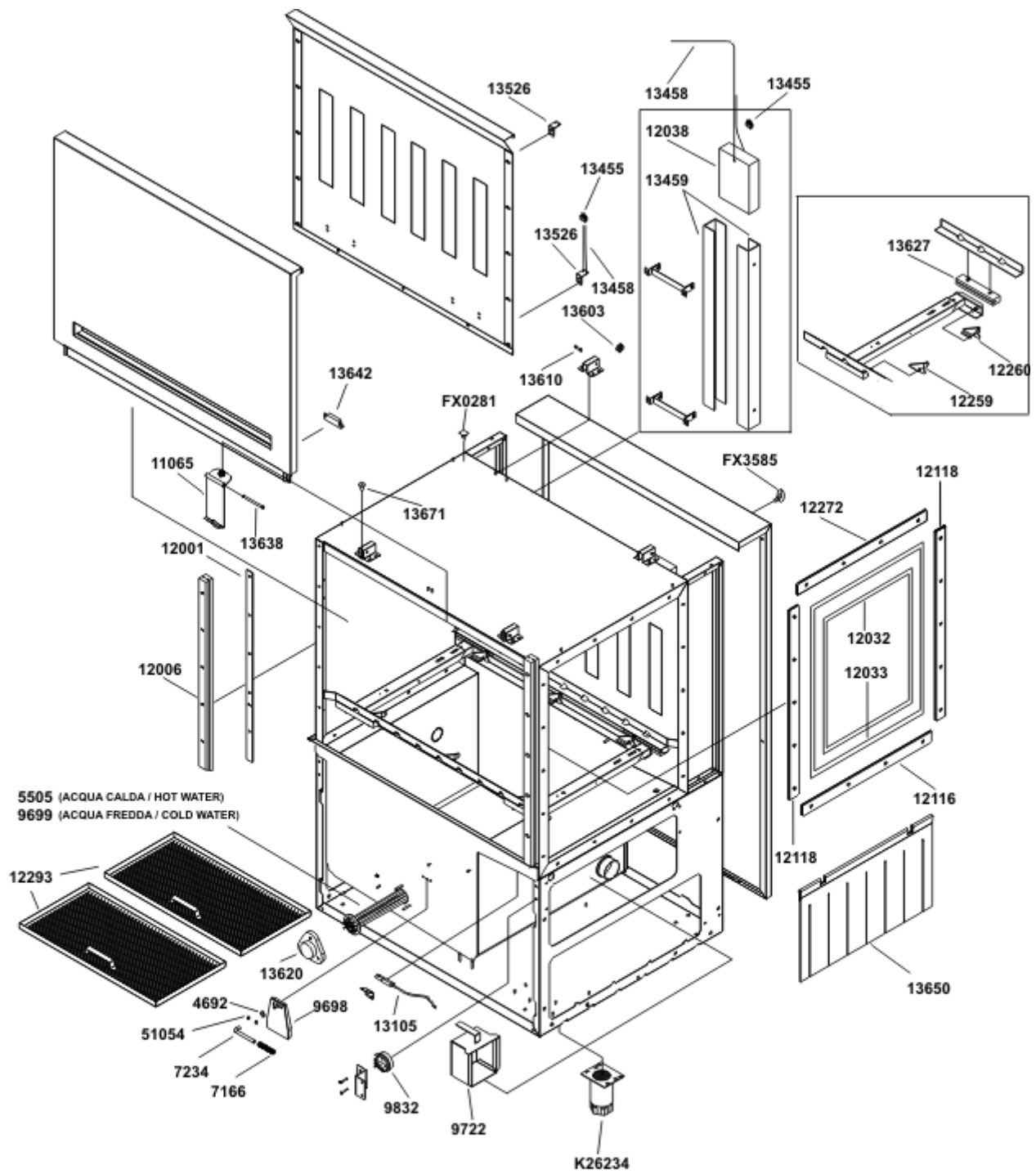
MODULO 400

Dis. n° EM.ATR.161

Data: 01/01/16



A.T.A. S.R.L. 35028 CONSELVE (PD) ITALY VIALE DEL PROGRESSO 20 - Z. I. PHONE 049/9500555 (4 LINEE R.A.) FAX 049/9500560



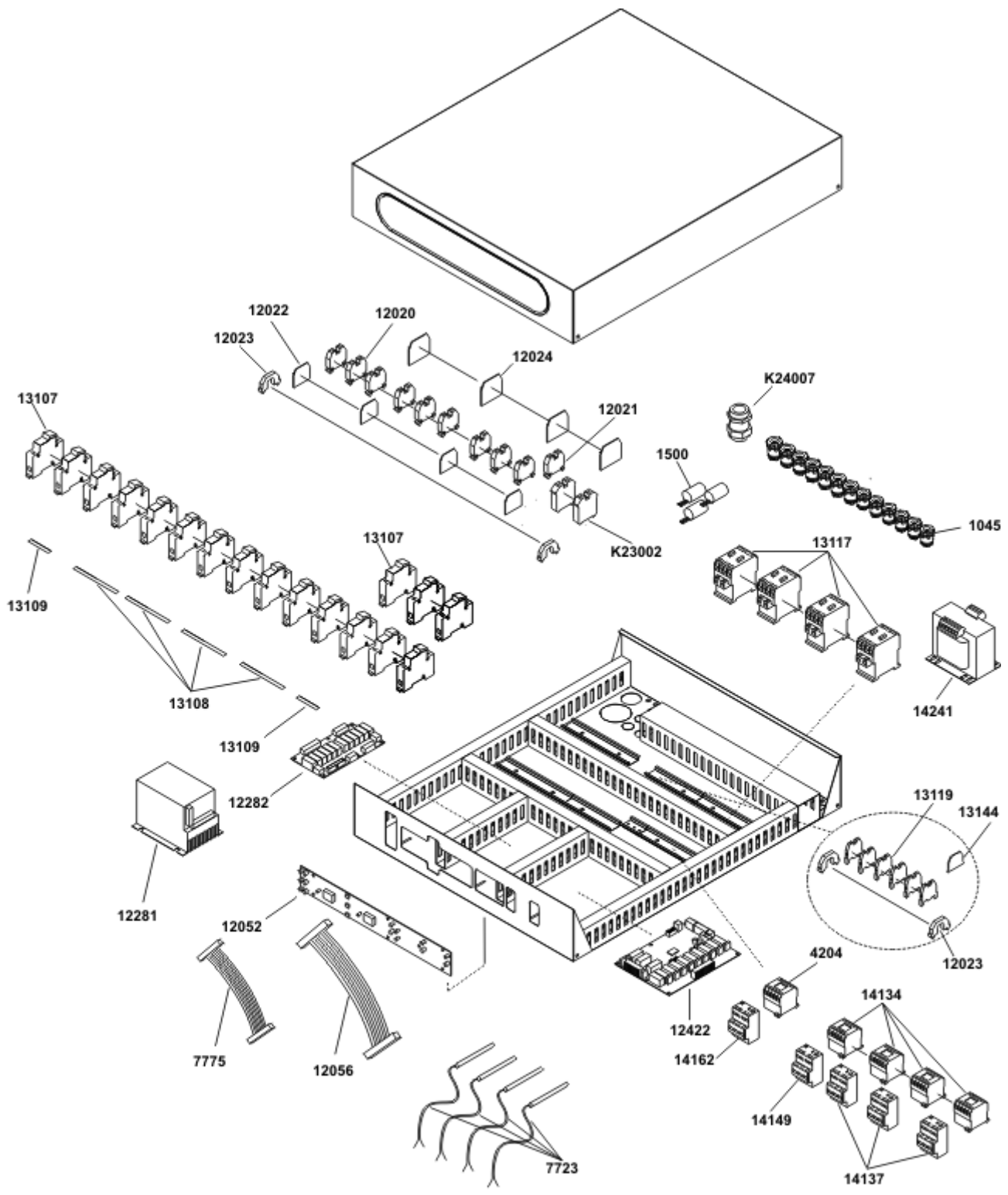
MODULO 900

Dis. n° EM.ATR.166

Data: 01/01/16



A.T.A. S.R.L. 35026 CONSELVE (PD) (ITALY VIALE DEL PROGRESSO 20 - Z. I. PHONE 049/9500555 (4 LINEE R.A.) FAX 049/9500560



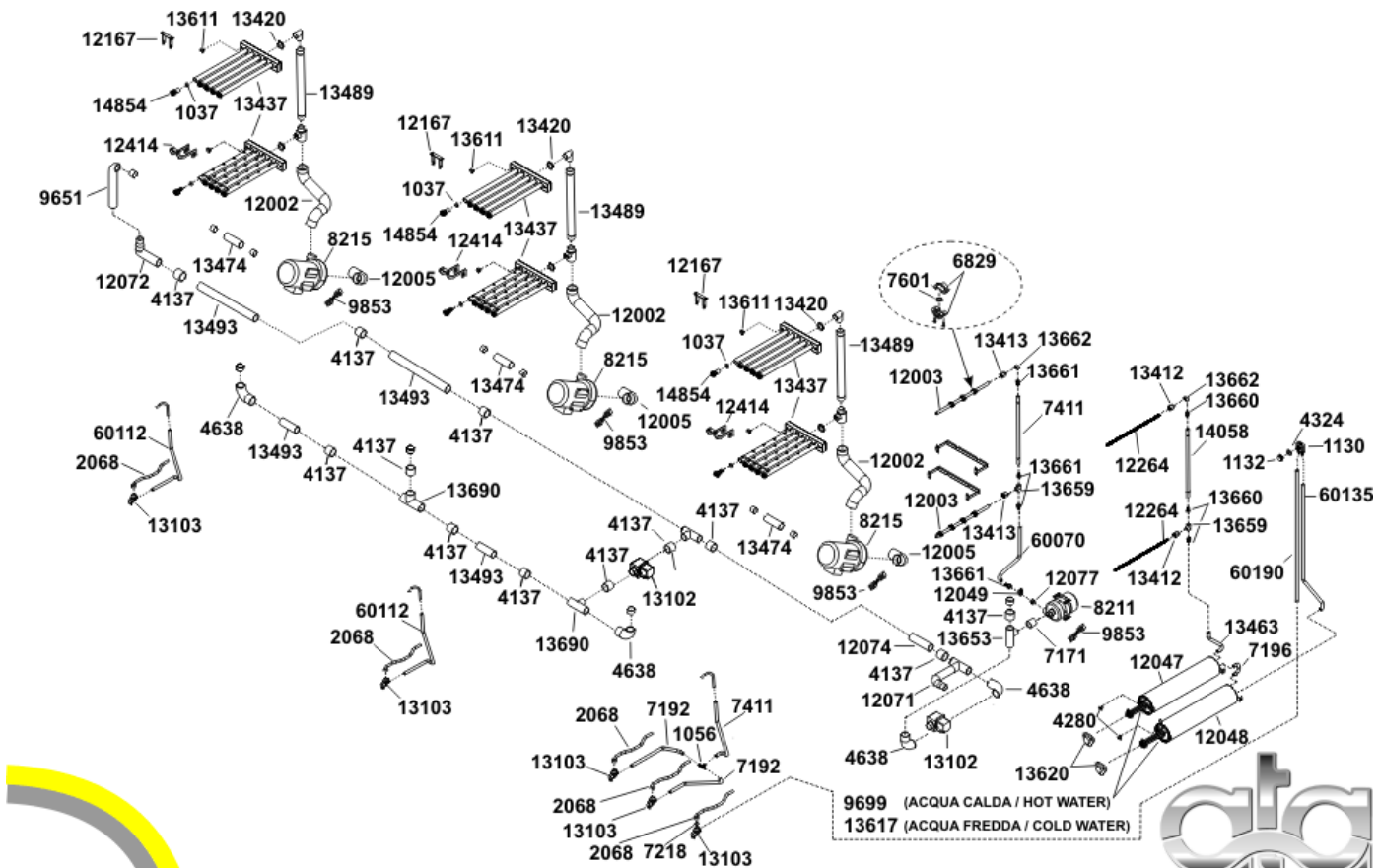
ATR 5400 ES/ED

Dis. n° EE.ATR.175

Data: 01/01/16



A.T.A. S.R.L. 35026 CONSELVE (PD) ITALY VIALE DEL PROGRESSO 20 - Z. I. PHONE 049/9500555 (4 LINEE R.A.) FAX 049/9500590



www.atasrl.com

Modello
Modelle
Model
Modell

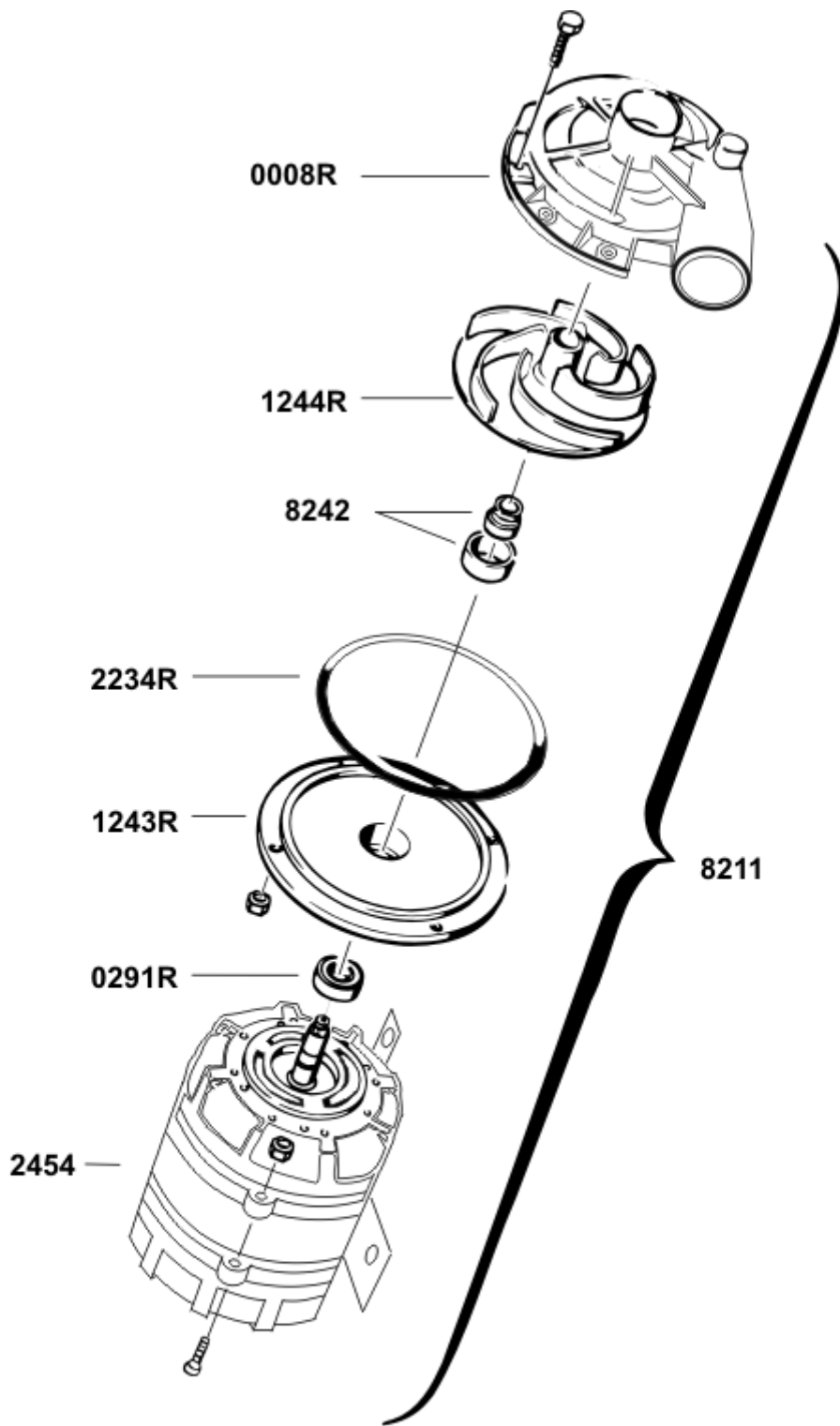
ATR 5400 ES

Dis. n° EI.ATR.190

Data: 01/01/16



A.T.A. S.R.L. 35026 CONSELVE (PD) ITALY VIALE DEL PROGRESSO 20 - Z. I. PHONE 049/9500555 (4 LINEE R.A.) FAX 049/9500560



www.atasrl.com

ELETTROPOMPA
0,18 kW

Modello
Macchina
Modello
Macchina

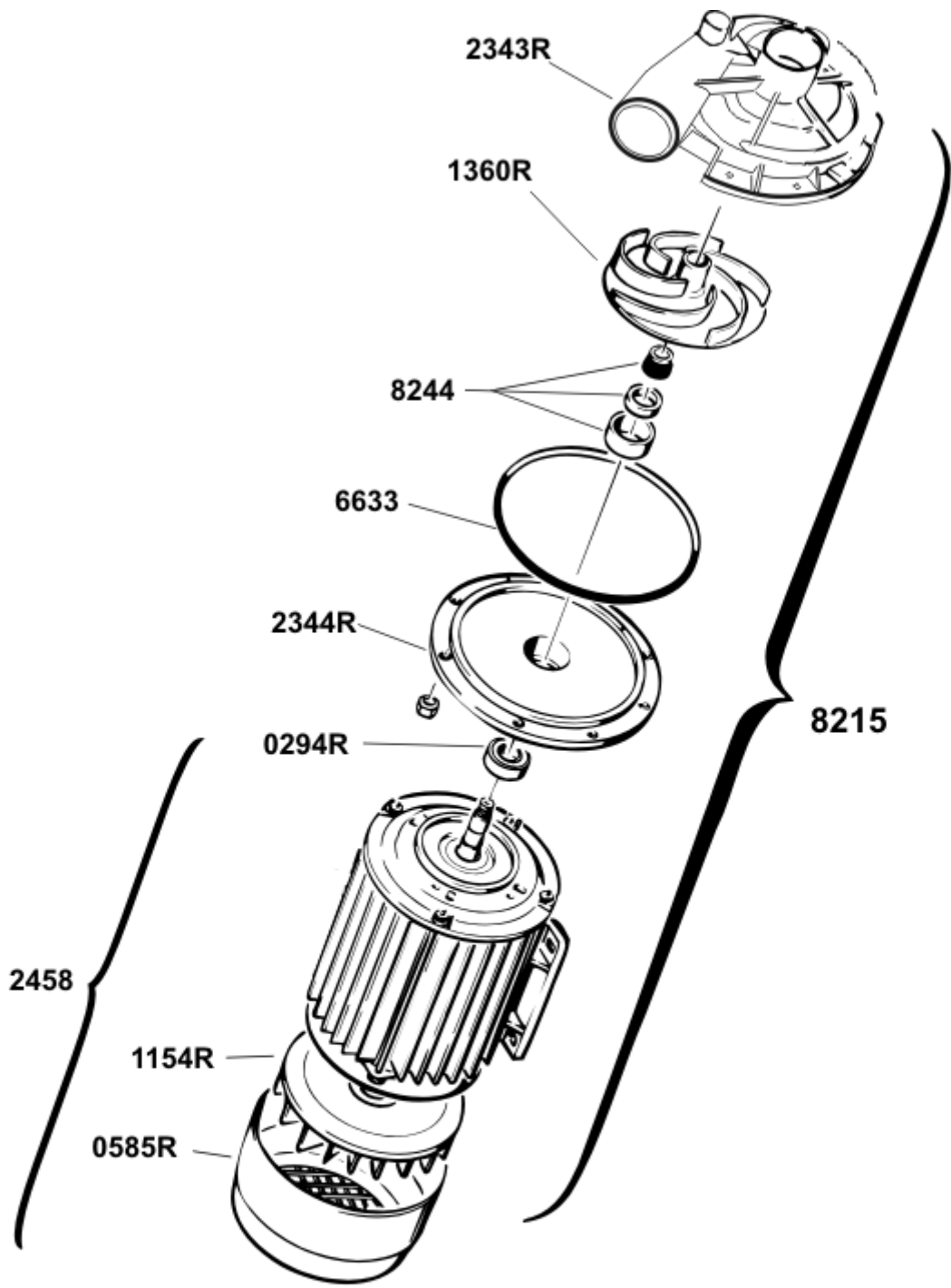
Dis. n° EE.P.044

Data: 01/10/10



Professional dishwashers

A.T.A. S.R.L. 35026 CONSELVE (PD) ITALY VIALE DEL PROGRESSO 20 - Z. I. PHONE 049/9500555 (4 LINEE R.A.) FAX 049/9500560



www.atasrl.com

ELETTROPOMPA
2,35 kW

Modello
Modello
Modello
Modello

Dis. n° EE.P.048

Data: 01/10/10



Professional dishwashers

A.T.A. S.R.L. 35026 CONSELVE (PD) ITALY VIALE DEL PROGRESSO 20 - Z. I. PHONE 049/9500555 (4 LINEE R.A.) FAX 049/9500560