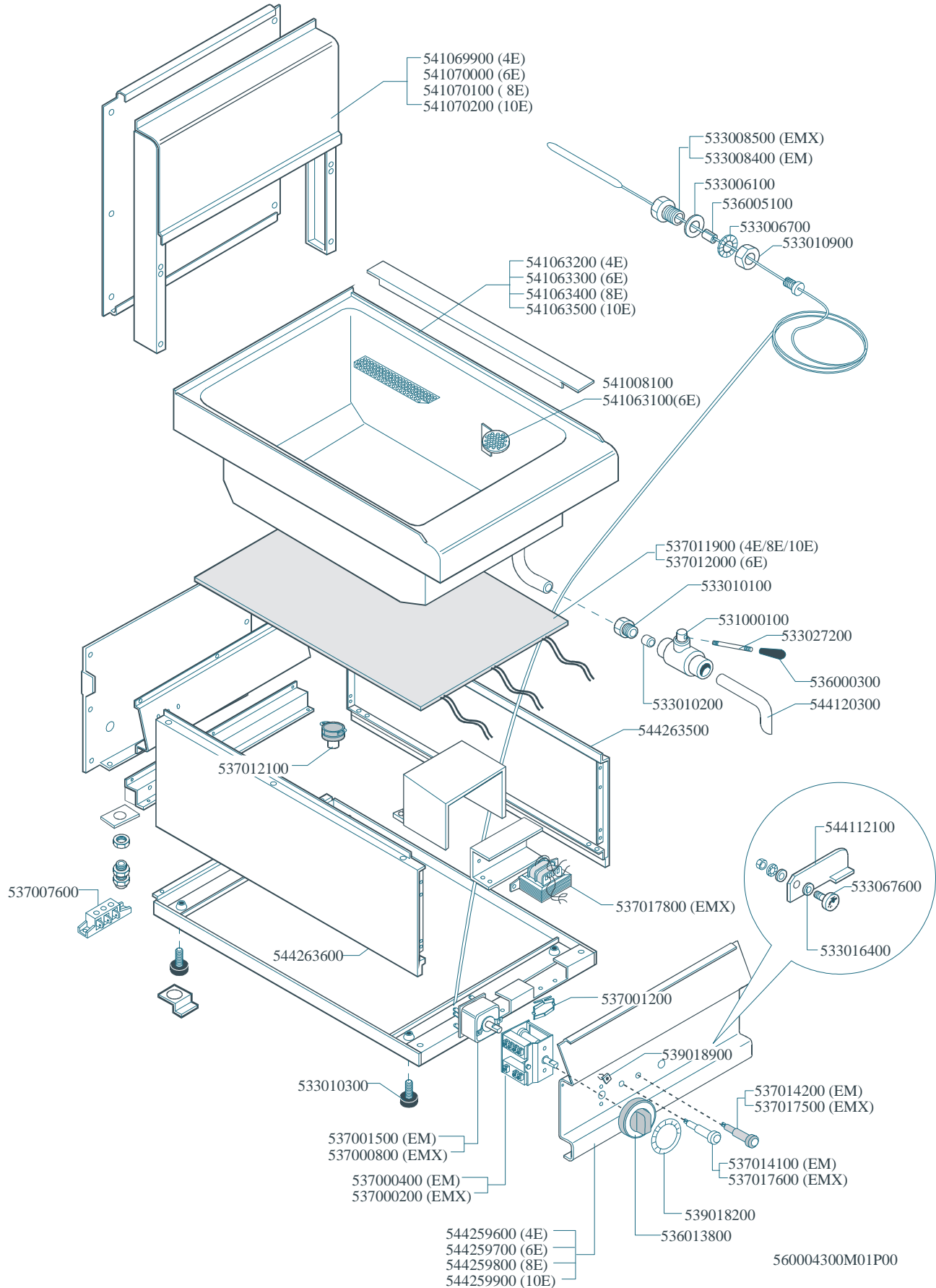


# MAGIC PROF 65

ELETTRICO / ELECTRIC / ELEKTRO / ELECTRIQUE

**BM-4EM BM-6EM BM-8EM BM-10EM BM-4EMX BM-6EMX BM-8EMX BM-10EMX**



| Page | Pos | Code      | Description                         |
|------|-----|-----------|-------------------------------------|
| 001  |     | 544263500 | RIGHT SIDE S.65                     |
| 001  |     | 544263600 | LEFT SIDE S.65                      |
| 001  |     | 533010300 | ADJUSTABLE FOOT M10*20 D.23         |
| 001  |     | 539018200 | ADHESIVE GRADUATED DISC FOR KNOB    |
| 001  |     | 537014100 | WHITE WARNING LIGHT 250V            |
| 001  |     | 537014200 | GREEN WARNING LIGHT 250V            |
| 001  |     | 536013800 | KNOB D.70 BLACK 6*5 WITH SPRING     |
| 001  |     | 537001200 | FIXING BRACKET FOR THERMOSTAT/COMM. |
| 001  |     | 539018900 | INDEX FOR KNOB                      |
| 001  |     | 537007600 | TERMINAL BLOCK SINGLEPHASE 40A      |
| 001  |     | 544112100 | COCK FIXING BRACKET FG-10           |
| 001  |     | 533067600 | PIN FOR GRADUATED COCK BUSHING      |
| 001  |     | 533016400 | COCK BUSHING                        |
| 001  |     | 541069900 | NEUTRAL SPACER 4                    |
| 001  |     | 541008100 | DRAIN FILTER TANK CP 700LINE        |
| 001  |     | 541063200 | UPPER PLATE BM-4E                   |
| 001  |     | 533010100 | 3/4 D. 18 PIPE UNION                |
| 001  |     | 531000100 | DRAIN COCK 3/4"                     |
| 001  |     | 533027200 | HANDLE FOR DRAIN COCK 3/4"G FG      |
| 001  |     | 544120300 | DRAIN PIPE 22 FOR COCK 3/4"G        |
| 001  |     | 536000300 | FIXED GRIP D.15*25*M6               |
| 001  |     | 537012100 | TEMPERATURE LIMITING DEVICE 165°C   |
| 001  |     | 537011900 | HEATING ELEMENT W650 V230 ICE-FOIL  |
| 001  |     | 537000400 | COMMUTATOR 1POS.SINGLEPHASE S49 16A |
| 001  |     | 537001500 | THERMOSTAT 30-90°C SINGLEPHASE      |
| 001  |     | 544259600 | CONTROL PANEL BM-4E                 |
| 001  |     | 533010200 | BICONE 18S                          |
| 001  |     | 533008400 | LOCK NUT M14*1-M9*1                 |
| 001  |     | 533006100 | GASKET D.24                         |
| 001  |     | 536005100 | GRAPHITE §07,4 GASKET               |
| 001  |     | 533006700 | NOTCHED WASHER D.14                 |
| 001  |     | 533010900 | NUT M14*1 H.4                       |