

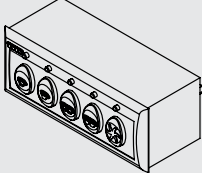
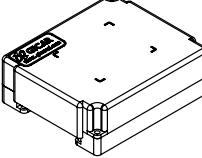
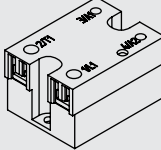
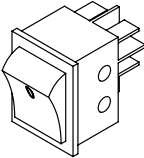
ROSETTA CAPSULE GROUP SPARE PARTS MANUAL



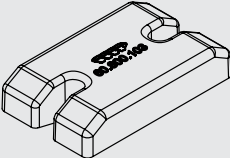
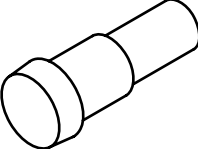
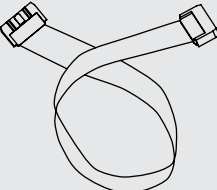
EXOBAR®

CONTENTS	2
ELECTRICAL COMPONENTS	3
Rosetta Mini 2Gr	3
Components common to all models.....	3
Rosetta 2GR / 3GR	4
EXPLODED VIEWS	5
Rosetta 2Gr Housing parts.....	5
Rosetta Mini 2Gr water system	7
Rosetta 2Gr water system.....	9
Rosetta Mini boiler assembly	11
Rosetta 2Gr boiler assembly.....	13
Rosetta Mini 2Gr rotary pump	15
Rosetta 2Gr rotary pumps	17
Group head	19
Capsule group Caffitaly.....	21
Capsule group Lavazza.....	23
Adjustable outlet.....	25
Capsule Group: water supply and drainage set.....	27
Steam tap	29
Turbo-Steamer	31
Hot water taps	33

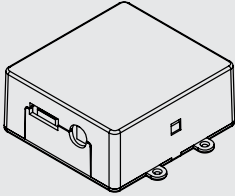

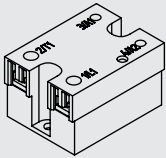
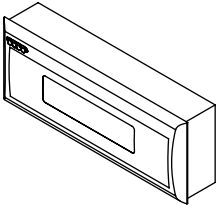
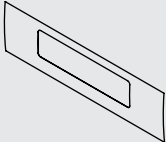
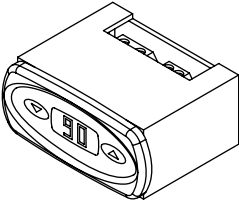
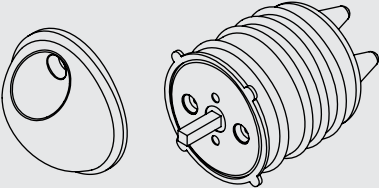
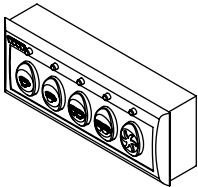
Rosetta Mini 2Gr

View	Part No.	Description
	C60100310	Switchboard ID5 G-10 220V Probe
	C60100410	Control Board 3D5 Xlc
	C60800100	Static Relay
	C60900035	Switch Red

Components common to all models

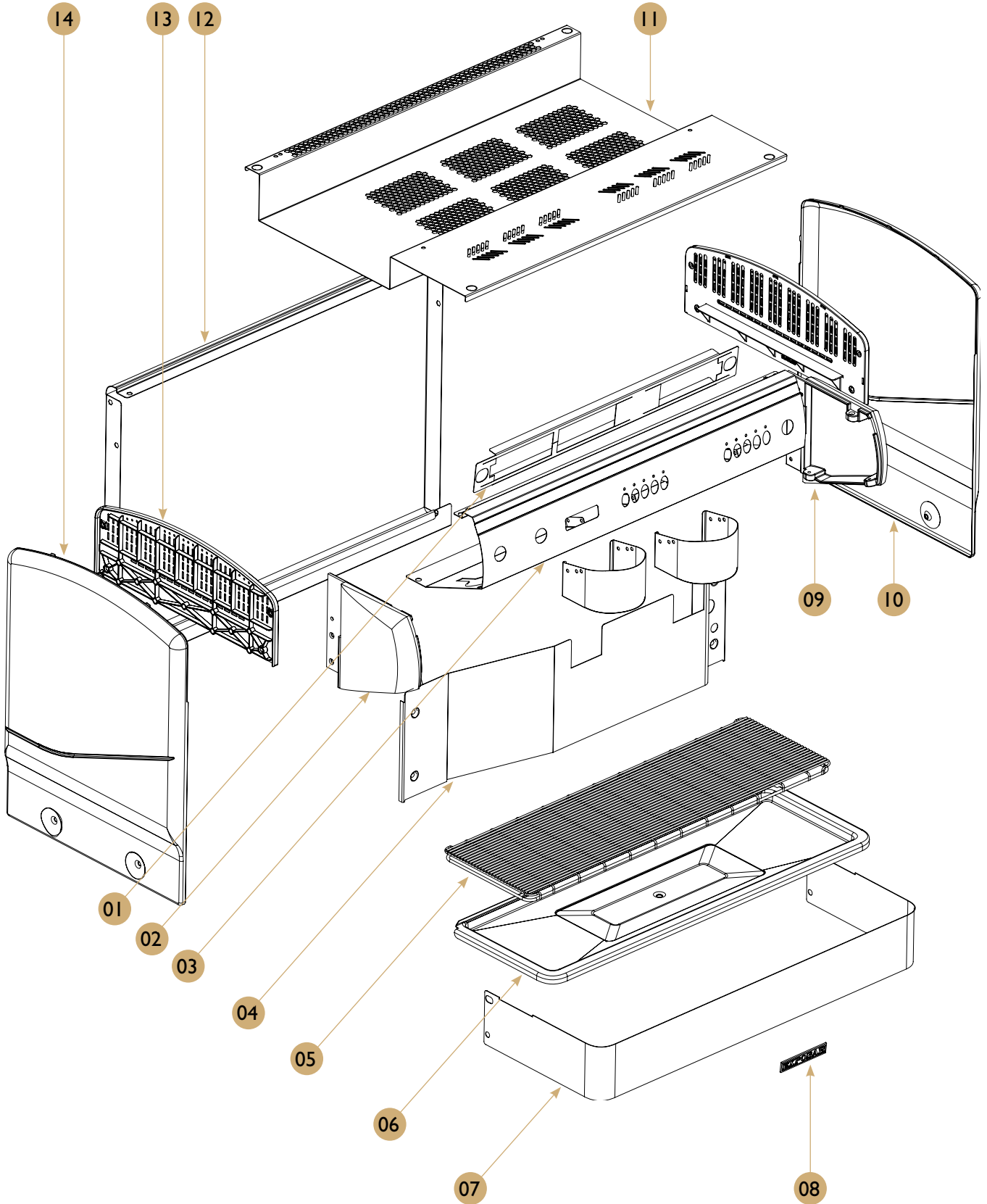
View	Part No.	Description
	C60800103	Relay Protection Cover
	C60901001	Pilot Light 60 Cm
	C60100038	L.600Mm Monroc Touch Pad Box
	C60100039	L.800Mm Monroc Touch Pad Cable
	C60100036	Wire 1100 M.M. Touchpad

Rosetta 2GR / 3GR

View	Part No.	Description
	C60100034	Switchboard 3D5 Disp Lux
	C60101046	Button Battery D20 Cr2032
	C60800101	Static Relay 4-32
	C60100301	Display Control Mega/G10 New Elegan
	C60100305	Black G-10 Display Membrane
	C10200125	Digital Thermostat 230V
	C40000050 C60900001 C60900002 C60900010	Main Switch Knob Switch Position 1 Poles 2 16A Switch Position 1 3/4Gr 20A Switch Position 4 Poles
	C60100300	G-10 Touchpad

Rosetta 2Gr Housing parts

Drawing



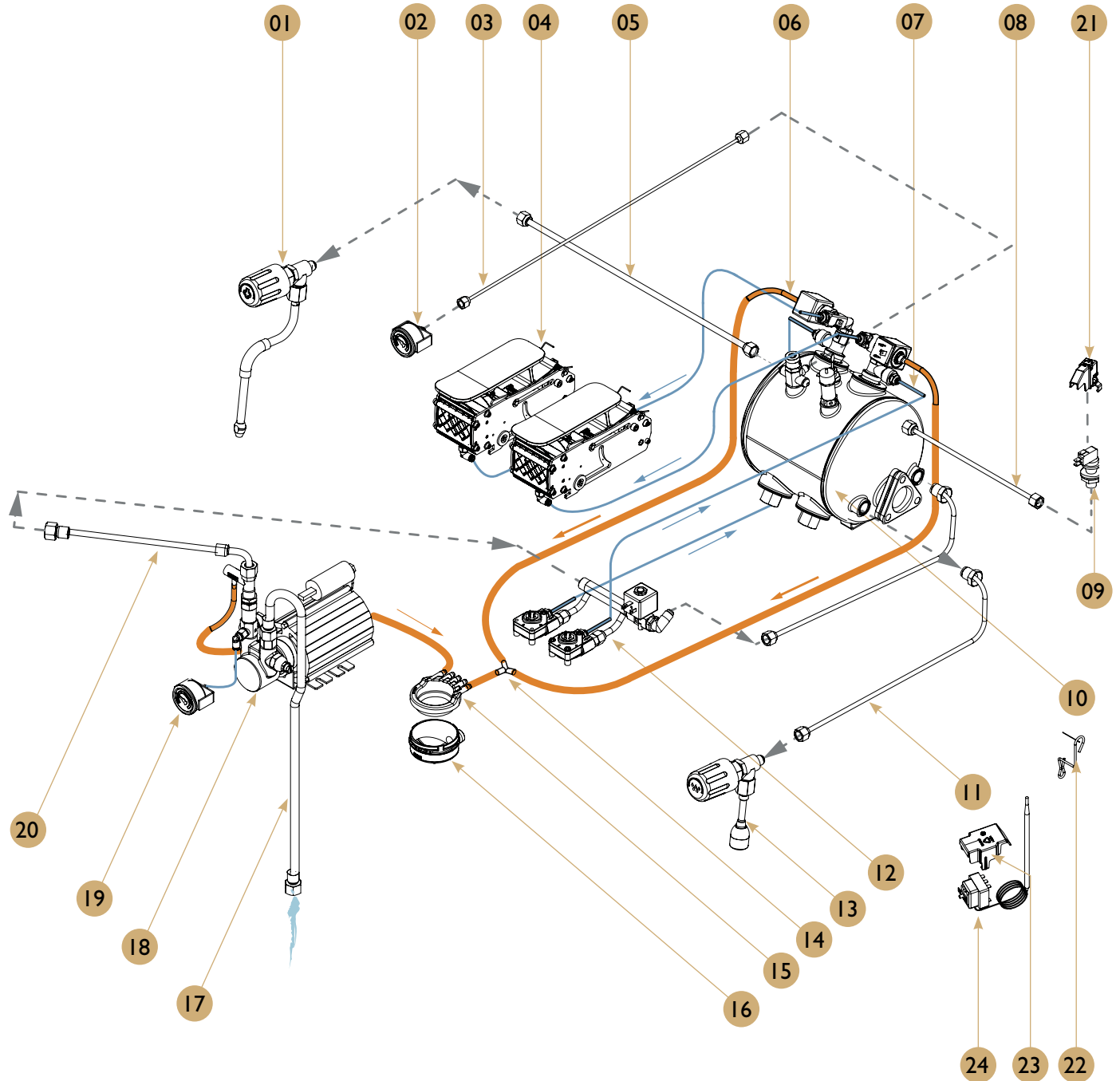
Rosetta Housing parts

Spare parts list

POS.	Machine	Part No.	Description	POS.	Machine	Part No.	Description
01	MINI	C17020110	Supp front panel G-10 Minicon 1GR	06	MINI	C20000145	Inox Drip Tray Mini
		C17120116	Supp front panel G-10 Minicon 2GR		2 GR	C20000166	Inox Drip Tray 2Gr
	2 GR	C17000110	Top Front Panel Holder 2Gr		3 GR	C20000170	Inox Drip Tray 3/4Gr
	3 GR	C17010110	Top Front Panel Holder 3Gr	07	MINI	C19200200	Lower Trim Mk/Mega/G10 Mini
02	MINI,2,3GR	C17000061AT	Side Panel Trimer G-10 Left Anthra			C12031070	Lower Trim Mk/Mega/G10 Mini Ta
03	MINI	C17020002KIT	Top Front G-10 Minicon 1Gr		2 GR	C11000210	Lower Trim G10 2Gr
		C17020010KIT	Top Front G-10 Minicon 2Gr			C12030070	Lower Trim Mk/Mega/G10 2Gr Ta
	2 GR	C17000001KIT	Top Front G-10 2Gr Display		3 GR	C11010210	Lower Trim G10 3Gr
		C17000004KIT	Top Front G-10 2Gr Display 3B	C12032065		Lower Trim Mk/Mega/G10 3Gr Ta	
	3 GR	C17010001KIT	Top Front G-10 3Gr Control	08	MINI,2,3GR	C*70300010A	Expobar Anagram Nickel
C17010004KIT	Top Front G-10 3Gr Control 4B	09	MINI,2,3GR	C17000060AT	Side Panel Trimer G-10 Right Anthra		
04	MINI	C17020080	Frontal G-10 Mini 1GR	10	MINI,2,3GR	C17000050AT	Side Panel G-10 Right Anthracite
		C17020081	Frontal G-10 Mini 1Gr TA	11	MINI	C17020090	Cup Tray G-10 Mini 1GR
		C17020085	Frontal Mini 2GR G10Rosetta		2 GR	C17000090	Cup Tray G-10 2Gr
		C17020086	Frontal 2GR High Group Rosetta		3 GR	C17010090	Cup Tray G-10 3Gr
	2 GR	C17000080	Frontal G-10 2Gr	12	MINI	C17020091	Central bodywork G-10 Mini SUS
		C17000081	Frontal G-10 2Gr TA		2 GR	C17000091	Central Bodyworks G-10 2Gr SUS
	3 GR	C17010080	Frontal G-10 3Gr		3 GR	C17010091	Central Bodyworks G-10 3Gr SUS
		C17010081	Frontal G-10 3Gr TA	13	MINI,2,3GR	C16000050	CupTray/SidePanel Supp - MK Plastic
05	MINI	C20000201	Grill For Mini	14	MINI,2,3GR	C17000051AT	Side Panel G-10 Left Anthracite
	2 GR	C20000216	Grill For 2Gr				
	3 GR	C20000220	Grill For 3Gr				
	Take away	C20000240	Cup Grill Of High Group				

Rosetta Mini 2Gr water system

Drawing



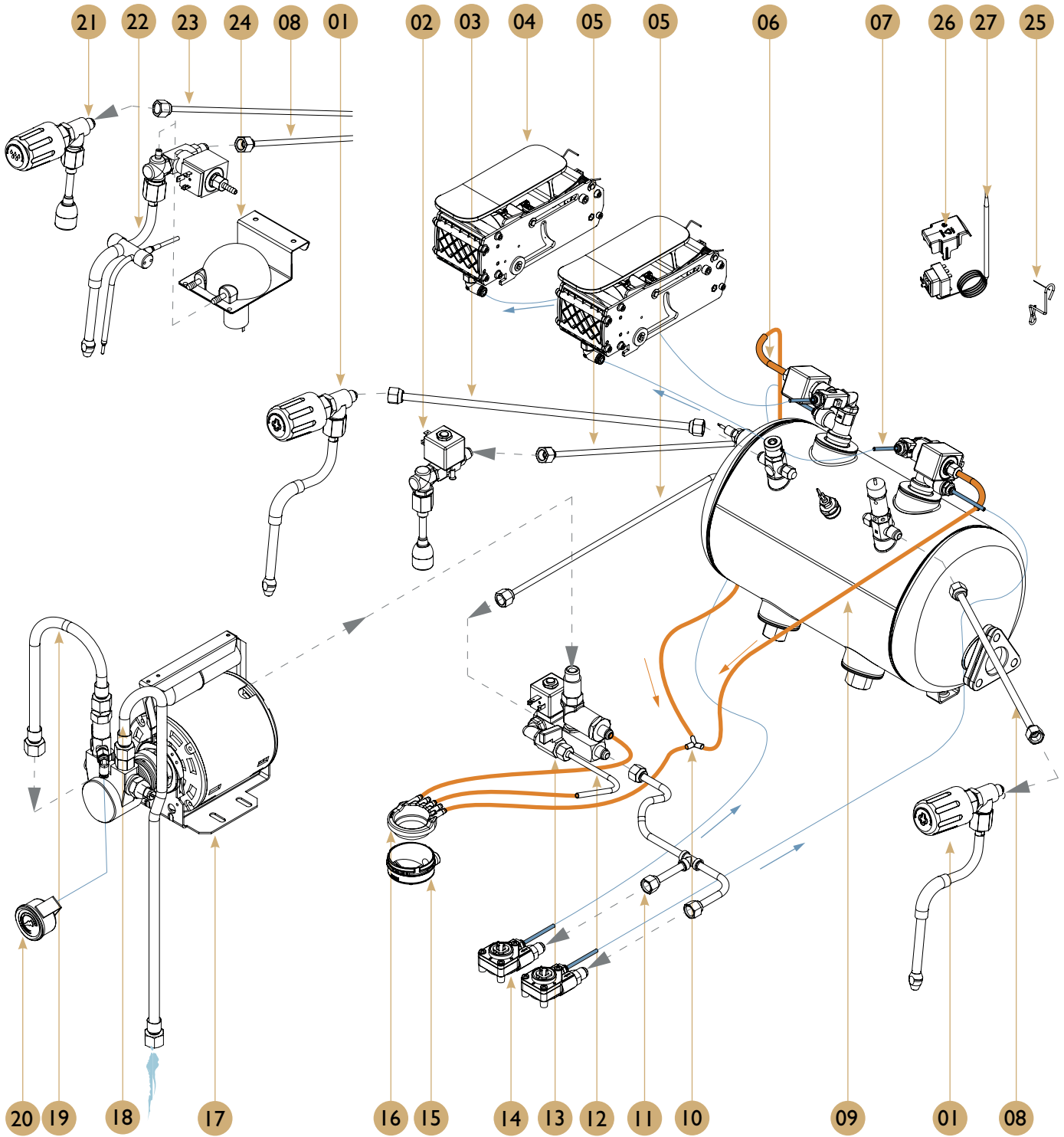
Rosetta Mini 2Gr water system

Spare parts list

POS.	PCS	Part No.	Description
01	1	-----	Steam Tap
02	1	C60000062	D-40 One Reading Manometer Orman
03	1	C35110530	Pipe Manometer
04	2	-----	Capsule Group
05	1	C35040117	4Ltrs Grinder's Steam Pipe
06	-	C35021000	Silicon Hose Dia4*7Mm
07	-	C35021016	Mts. Teflon Tube 2*4
08	1	C35040106	Pipe Pressure Sensor Mini
09	1	C60000008	Pressostat Piris Ce
10	1	-----	Boiler Assembly Mini
11	2	C35040118	Pipe Water Filling Mini
12	1	CESC00086	Distributor Mini 2Gr Capsule
13	1	-----	Water Tap
14	1	C60100058	Conector "Y" Manguera (6mm x 6mm x 6mm)
15	1	C70001005	Drain Cup Cover
16	1	C70001001	Drain Cup With Thread
17	1	C35900180	180cm Hose
18	1	-----	Rotary Pump
19	1	C60000070	D-40 Manometer 0-16 Bar (Sin Tubo)
20	1	C35900045	Flexible Hose 55cm Bend
21	1	1264357	Cap for Pressure Switch
22	1	1364062	Clip EGO
23	1	1264261	3 POLE COVER
24	1	CI0200150	Thermal Cut-out 3 Pole with bulb

Rosetta 2Gr water system

Drawing



Rosetta 2Gr water system

Spare parts list

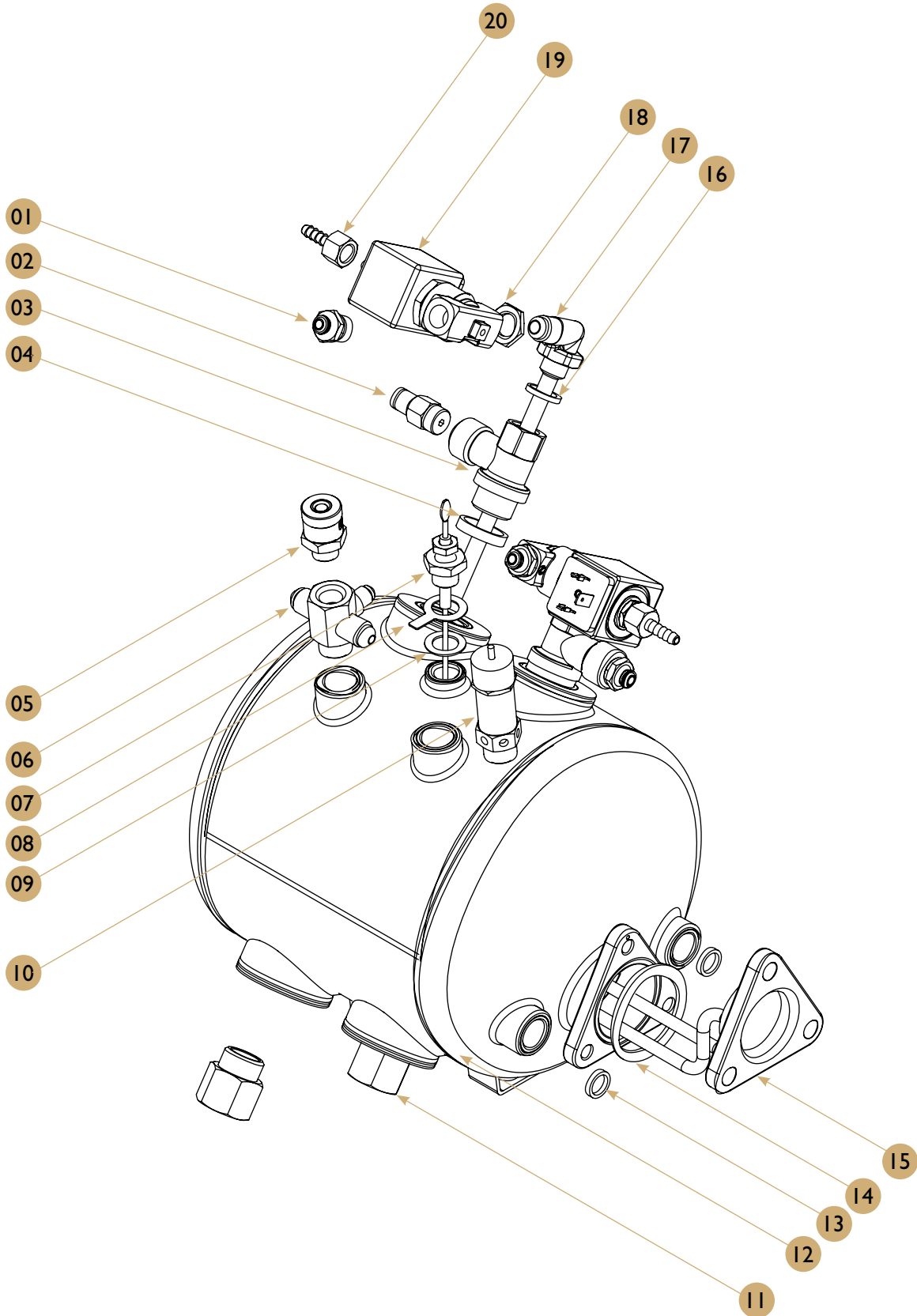
POS.	PCS	Part No.	Description
01	2	-----	Steam Tap
02	1	-----	Automatic Water Tap
03	1	C35040117	4Ltrs Grinder's Steam Pipe
04	2	-----	Capsule Group
05	2	C35040118	Pipe Water Filling Mini
06	-	C35021000	Silicon Hose Dia4*7Mm
07	-	C35021016	Mts. Teflon Tube 2*4
*08	1	C35110113	Pipe Steam Tap
09	1	-----	Boiler Assembly 2Gr
10	1	C60100058	Y-Connector 6X6x6mm
11	1	C35110461	Manifold Tube Distributor 2Gr
12	1	C35110012	Pipe Drainage Boiler 2Gr
13	1	CESC00093	Water Splitter
14	2	C60100045	Flowmeter UI/Netw. Brass Tef+Led
15	1	C70001001	Drain Cup With Thread
16	1	C70001005	Drain Cup Cover
17	1	-----	Rotary Pump
18	1	C35900180	180Cm Hose
19	1	C35900020	30Cm Hose
20	1	C60000070	D-40 Manometer 0-16 Bar (Sin Tubo)
*21	1	-----	Water Tap
*22	1	-----	Turbo Steamer
*23	1	C35170110	Pipe Water Filling Monroc
*24	1	-----	Peristaltic Pump
25	1	1364062	Clip EGO
26	1	1264261	3 POLE COVER
27	1	CI0200150	Thermal Cut-out 3 Pole with bulb

**Note:**

Machines equipped with Turbo-Steamer require parts 08, 21, 22, 23 and 24 instead of parts 01, 02, 03 and 05.

Rosetta Mini boiler assembly

Drawing



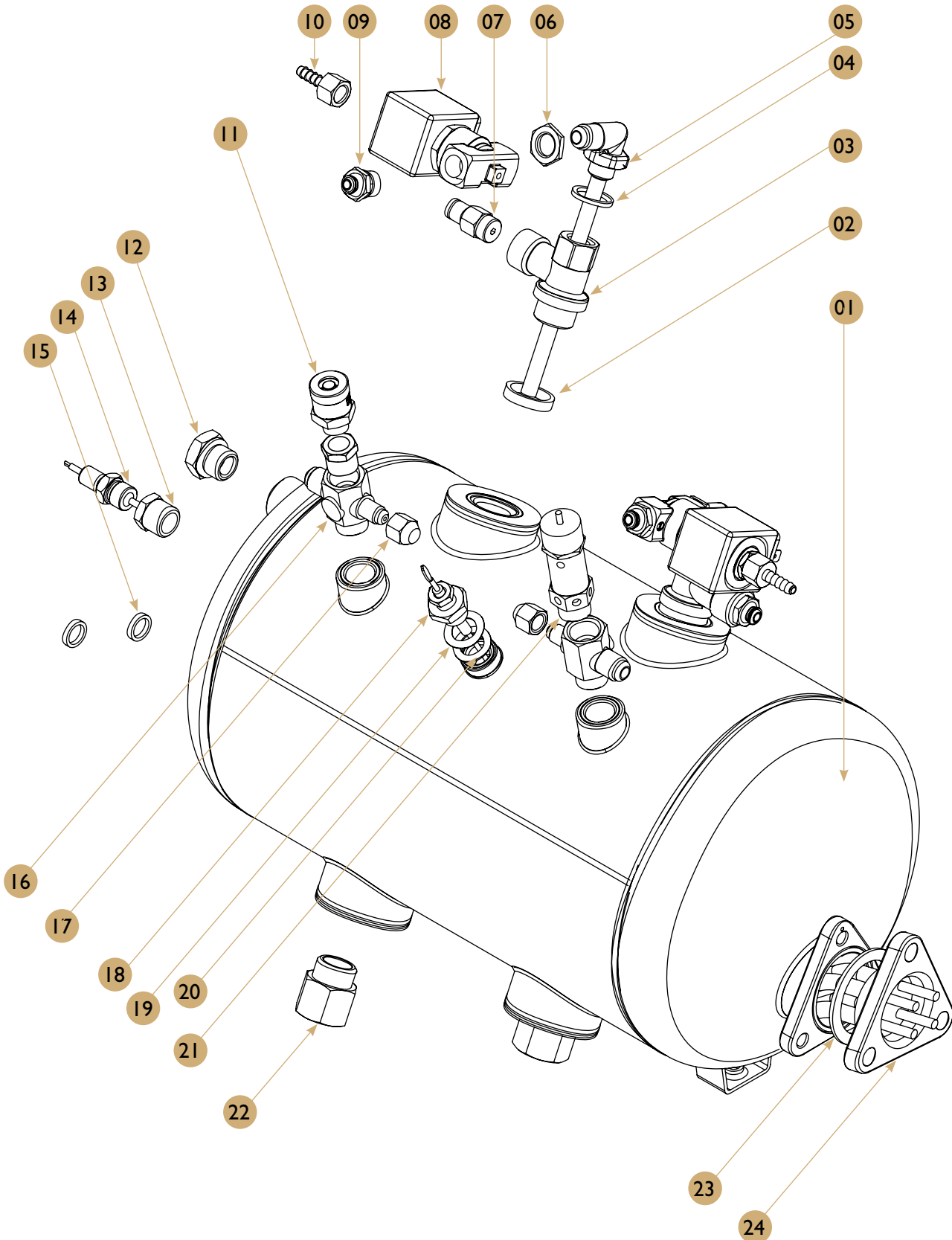
Rosetta Mini boiler assembly

Spare parts list

POS.	PCS	Part No.	Description
01	2	C30600012	Automatic Straight Racorg 1/4M-Tube4
02	2	C30600020	Connector Straight GI/4M Tube 4
03	2	C30000210M	Thermics Inf. Adaptor 1/2X1/4X1/4
04	2	C50010010	21.1*25.7* 1/2 Teflon Gasket
05	1	C65000200	Non Suction Valve
06	1	C30000110	3 Tracks Adaptor 1/4 * 1/4 * 1/8
07	1	C60100040	Water Level Probe 1/4
08	1	C25000003	Inox Ground Washer
09	1	C25679812	M12 Washer Form A
10	1	C65000110	Cn10 Ptfе Ce Safety Valve
11	2	C30200035	Long Plug 1/2 Group
12	1	C15100016	Copper Boiler 2Gr 6Lt
13	2	C50010050	3/8 Boiler's Connector Teflon Gaske
14	1	C50010030	40*52*2 Element Teflon Gasket
15	1	C38025001F	ELEMENT 2500W 230V WITH FUSE
16	2	C30000220	Cone Injector 1/4
17	2	C50010020	13.2*18.2*2.5 1/4 Teflon Gasket
18	2	C30100010	Hexagonal Nut 1/4 Pressostat
19	2	C60000122	EV 1/4 DIA1,5 220V Capsule
20	2	C30700000	Barb Connector-1/8

Rosetta 2Gr boiler assembly

Drawing



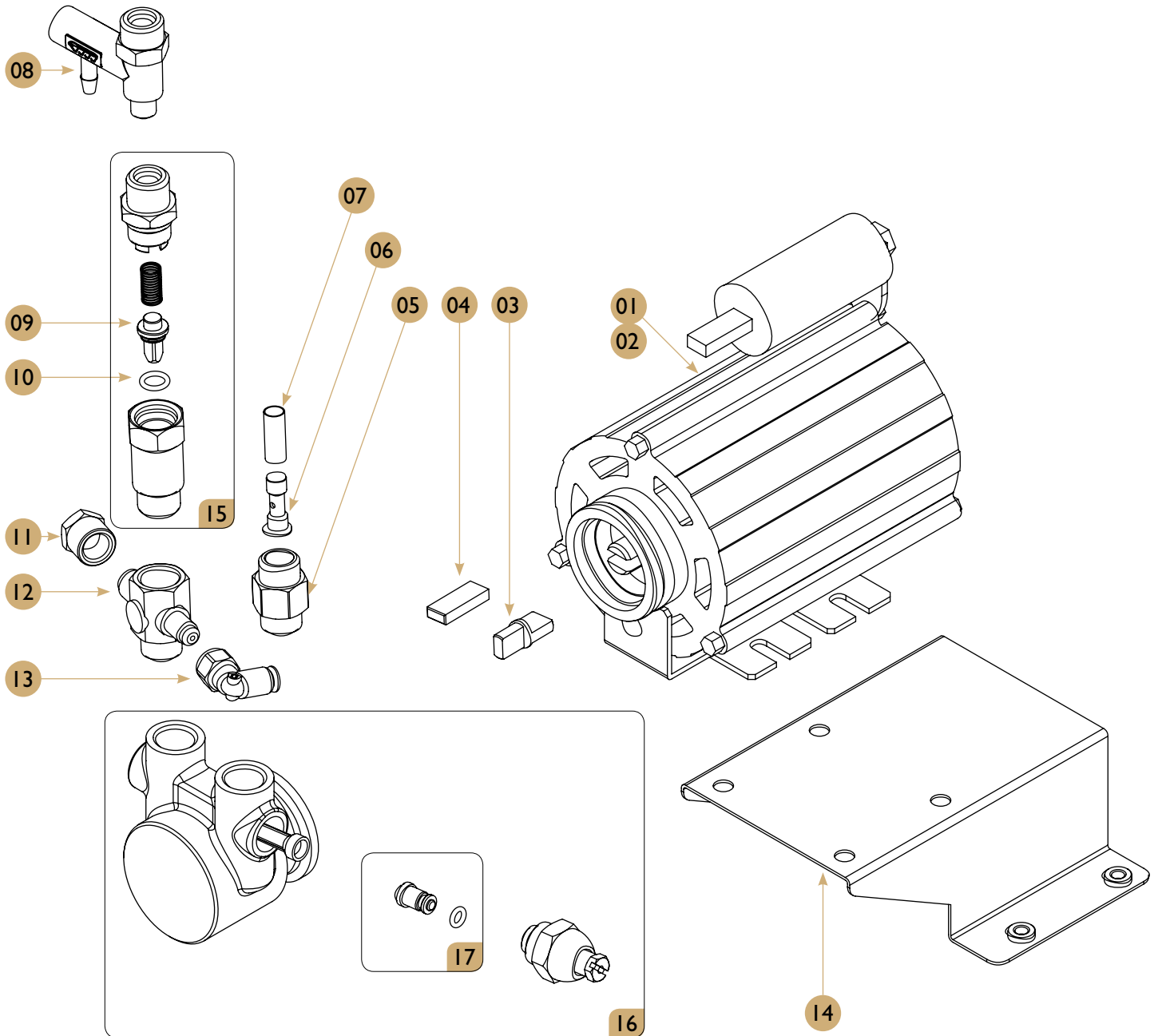
Rosetta 2Gr boiler assembly

Spare parts list

POS.	PCS	Part No.	Description
01	1	C15100020	Boiler 2Gr 11Lts.
02	2	C50010010	21.1*25.7* 1/2 Teflon Gasket
03	2	C30000210M	Thermics Inf. Adaptor 1/2X1/4X1/4
04	2	C50010020	13.2*18.2*2.5 1/4 Teflon Gasket
05	2	C30000220	Cone Injector 1/4
06	2	C30100010	Hexagonal Nut 1/4 Pressostat
07	2	C30600020	Connector Straight G1/4M Tube 4
08	2	C60000122	Ev 1/4 Dia 1,5 220V Capsule
09	2	C30600012	Automatic Straight Racorg1/4M-Tube4
10	2	C30700000	Barb Connector-1/8
11	1	C65000200	Non Suction Valve
12	1	C30000290	Plug M 3/8
13	2	C30000003	Reducer Male-Female-3/8 - 1/4
14	1	C60100076	Temp. Probe + Susp. Steam Pipe Icd
15	2	C50010050	3/8 Boiler's Connector Teflon Gaske
16	2	C30000100	2 Tracks Adaptor- 1/4 X 1/8
17	2	C30000315	Bling Plug 1/8 Female
18	1	C60100040	Water Level Probe 1/4
19	1	C25000003	Inox Ground Washer
20	1	C25679812	M12 Washer Form A
21	1	C65000110	Cn10 Ptfе Ce Safety Valve
22	2	C30200035	Long Plug 1/2 Group
23	1	C50010030	40*52*2 Element Teflon Gasket
24	1	C38027000F	3050W.230V- 2Gr Element

Rosetta Mini 2Gr rotary pump

Drawing



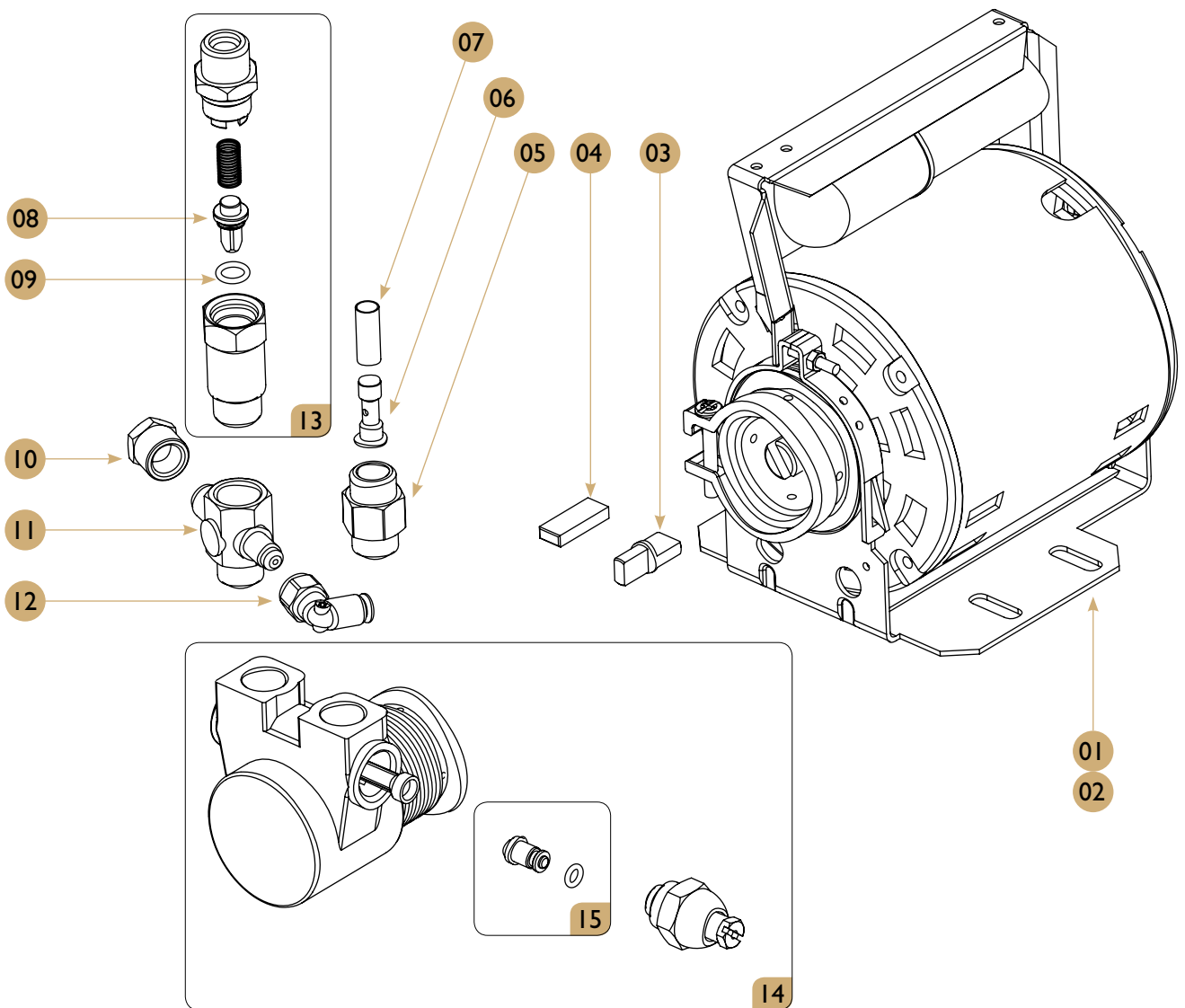
Rosetta Mini 2Gr rotary pump

Spare parts list

POS.	PCS	Part No.	Description
01	1	C60000025	Compact Engine Motor 230V 50/60Hz
02	1	C60000023	Compact Engine Motor 110V 50/60Hz
03	1	C30000019	Cardan Joint Pump
04	1	C30000022	Cardan Joint Pump Flat
05	1	C30000240	PUMP ADAPTOR 3/8 X 3/8
06	1	C30100100	Inlet Water Filter Holder
07	1	C70000009	Tubular Group Filter
08	1	C30400055	Pump Bypass Condor
09	1	C30369110	Restrictor Pin
10	1	C50000130	O-Ring 8 X 1.9
11	1	C30000310	Blind Plug 1/4 Female
12	1	C30000100	2 Tracks Adaptor- 1/4 X 1/8
13	1	C30600009	Automatic Elbow Racor G1/8F-Tube 4
14	1	C20010009	Pump Support Panel
15	1	C65000010	Retention Valve
16	1	C60000033	Pump Rotary Compact
17	1	C60000031	Piston Bypass Pump (Tec)

Rosetta 2Gr rotary pumps

Drawing



Rosetta 2Gr rotary pumps

Spare parts list

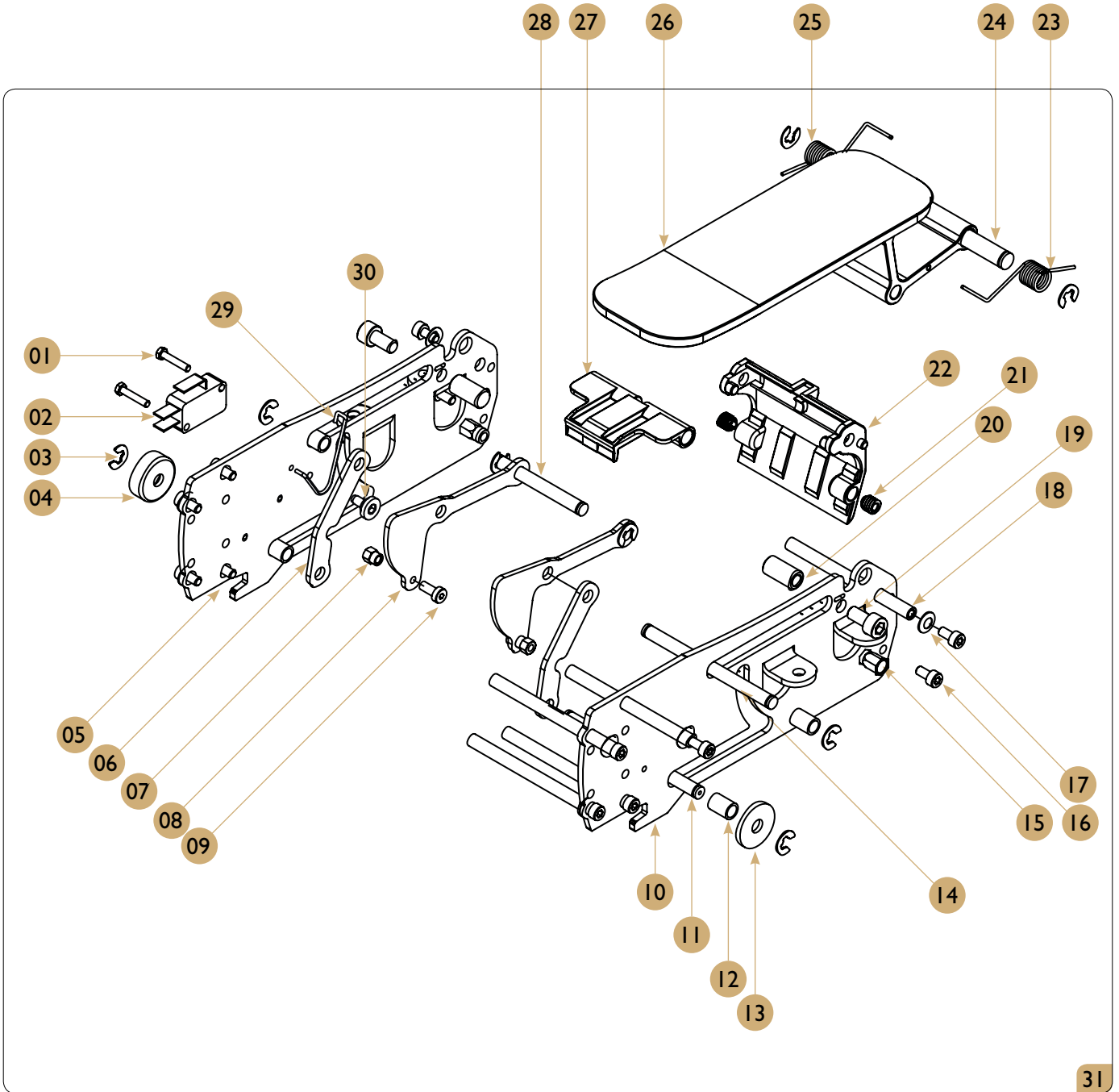
POS.	PCS	Part No.	Description
01	1	C60000016	Motor Crem 230V/50Hz
02	1	C60000028	Motor Crem 120V
03	1	C30000019	Cardan Joint Pump
04	1	C30000022	Cardan Joint Pump Flat
05	1	C30000240	PUMP ADAPTOR 3/8 X 3/8
06	1	C30100100	Inlet Water Filter Holder
07	1	C70000009	Tubular Group Filter
08	1	C30369110	Restrictor Pin
09	1	C50000130	O-Ring 8 X 1.9
10	1	C30000310	Blind Plug 1/4 Female
11	1	C30000100	2 Tracks Adaptor- 1/4 X 1/8
12	1	C30600009	Automatic Elbow Racor G1/8F-Tube 4
13	1	C65000010	Retention Valve
14	1	C60000030	Pump (Crem Special Treatment)
15	1	C60000031	Piston Bypass Pump (Tec)

**Note:**

Part No. C30400055 and CESCMP00 apply to the G-10 Mini models.

Group head

Drawing



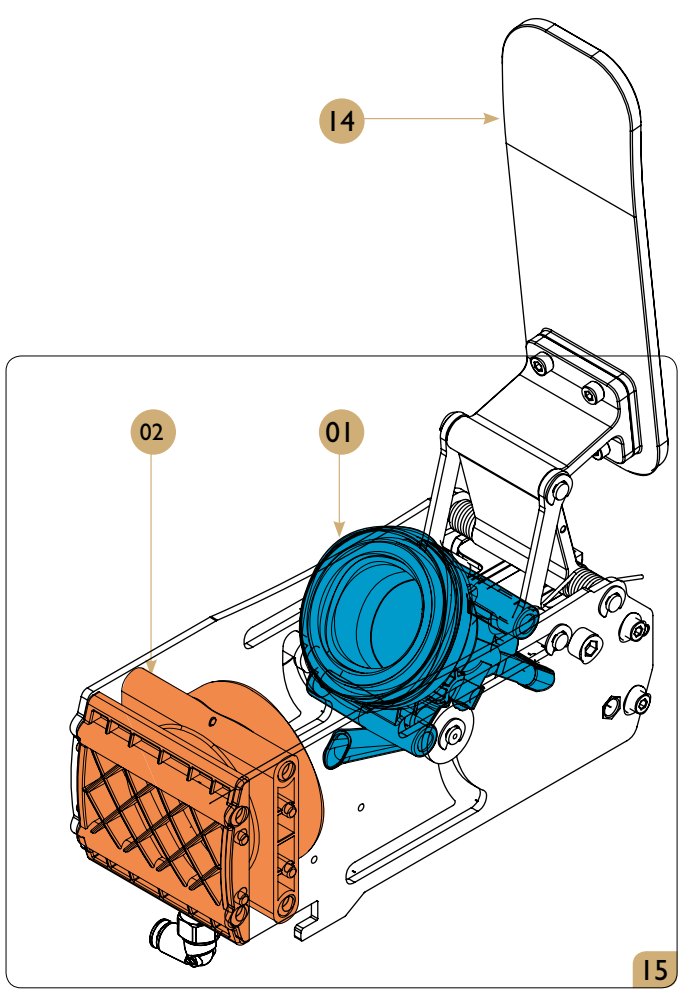
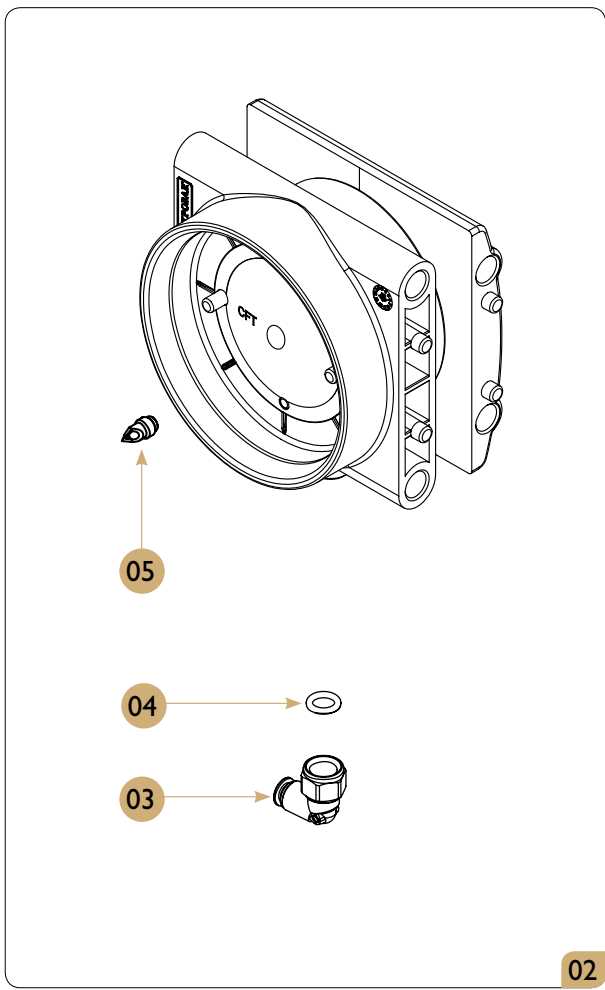
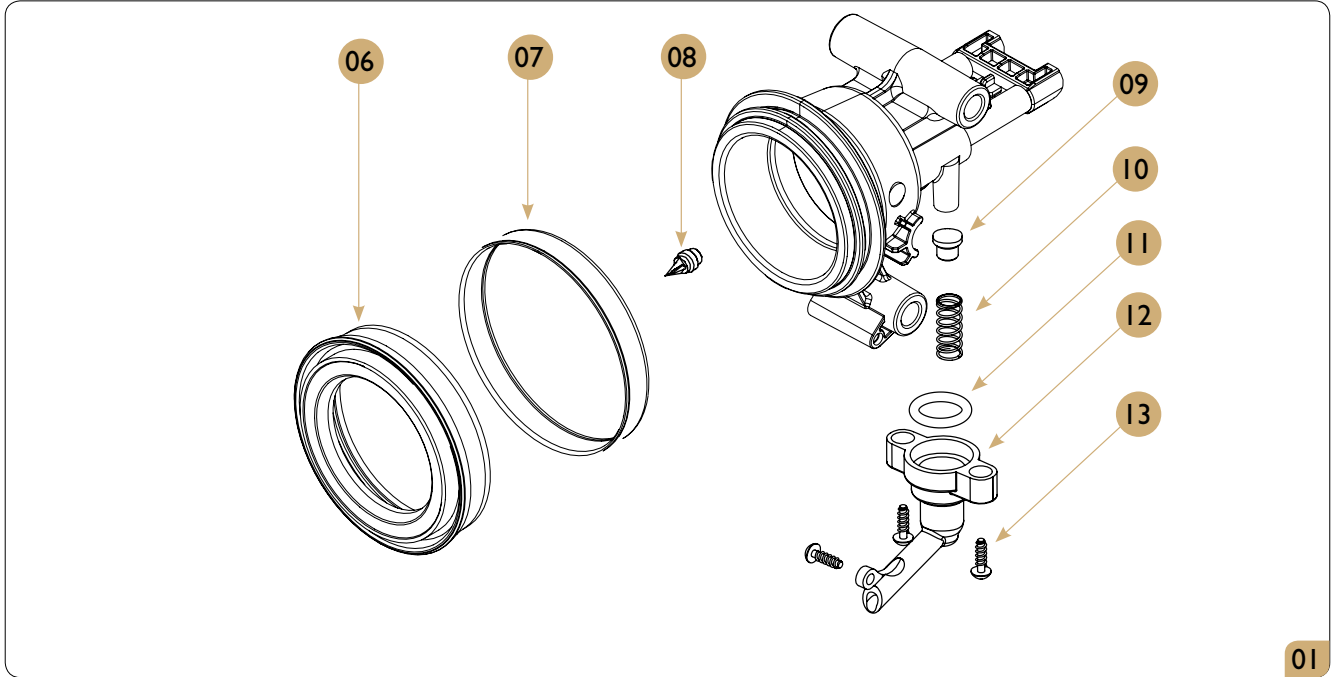
Group head

Spare parts list

POS.	PCS	Part No.	Description
01	2	C25093331	HEXAGON HEAD SCREWS M3*16
02	1	C60900031	AUTOEXP. MINISWITCH 83160 G.
03	8	C25679906	RETAINNG WASHERS FOR SHAFTS
04	1	C30210136	Stop Bushing D22x7
05	1	C30210090	SS LEFT PANEL CAPSULE GROUP
06	2	C30210100	SS guide arm
07	2	C30210230	TUERCA TOPE M4 LEVA GR
08	2	C30210101	ARTICULATED ARM OF AUTOEJECT G10
09	2	C25798440	HEX SOCKET HEAD Cap Screws DIN
10	1	C30210091	SS RIGHT PANEL CAPSULE GROUP
11	1	C30210121	Slide axis D6x84
12	4	C30210135	GUIDE CAP D 8x11 AUTO-EJECT
13	1	C25012521	STAINLESS STEEL KNOB WASHER
14	2	C30210120	AXIS D 6*80 AUTO-EJECT GROUP
15	2	C25000060	HEXAGONAL RIVET M5 S/A
16	12	C25091200	ALLEN SCREW 4x8 DIN-912
17	10	C25209952	DISC SPRINGS 5.2*10*0.4 DIN2093
18	5	C30210110	Group PIN M4x77
19	2	C25091250	ALLEN SCREW 6*10 DIN-912 GROUP
20	2	C30210130	Level Auto EXP.Group Limit
21	2	C30210150	Insert Screw M4x8
22	1	C30210060	Group rear panel
23	1	C55020000	TORSION SPRING RIGHT G10
24	1	C30210124	AXIS D 8*80 AUTO-EJECT GROUP
25	1	C55020001	TORSION SPRING LEFT G10
26	1	C30210080	CAPSULE GROUP LEVER
27	1	C30210070	Group rear cam
28	1	C30210122	Axis D6x54 group hinge
29	1	1364078	Spring Lock Left Capsule Group
30	1	1461044	Step screw M4, SUS430
31	-	CI5000065	Autoexp. Capsule Group-CFT,w/o Leve

Capsule group Caffitaly

Drawing



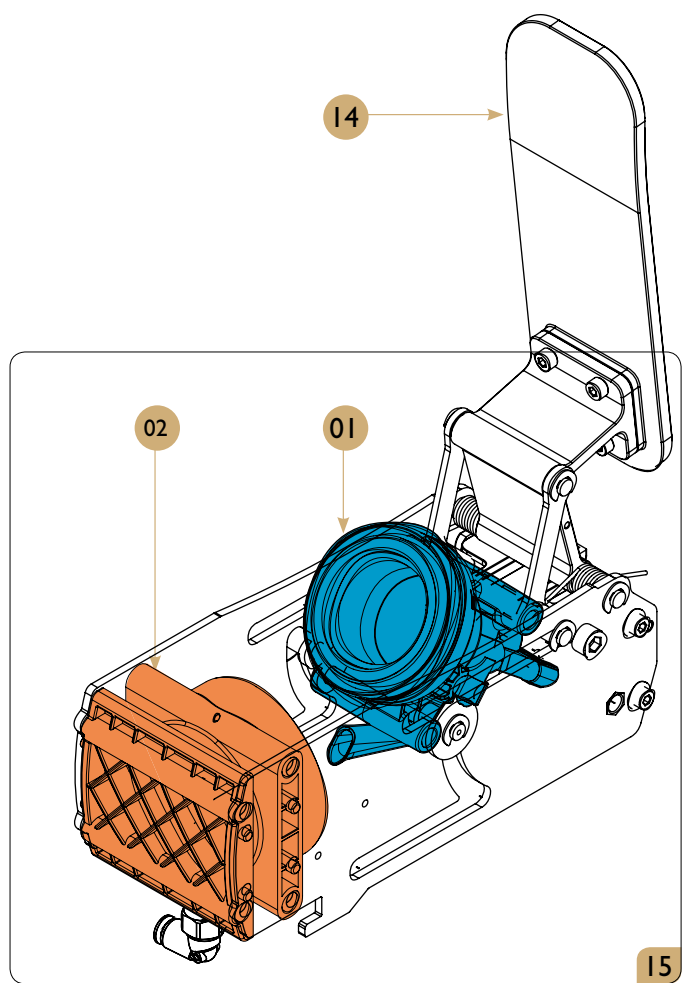
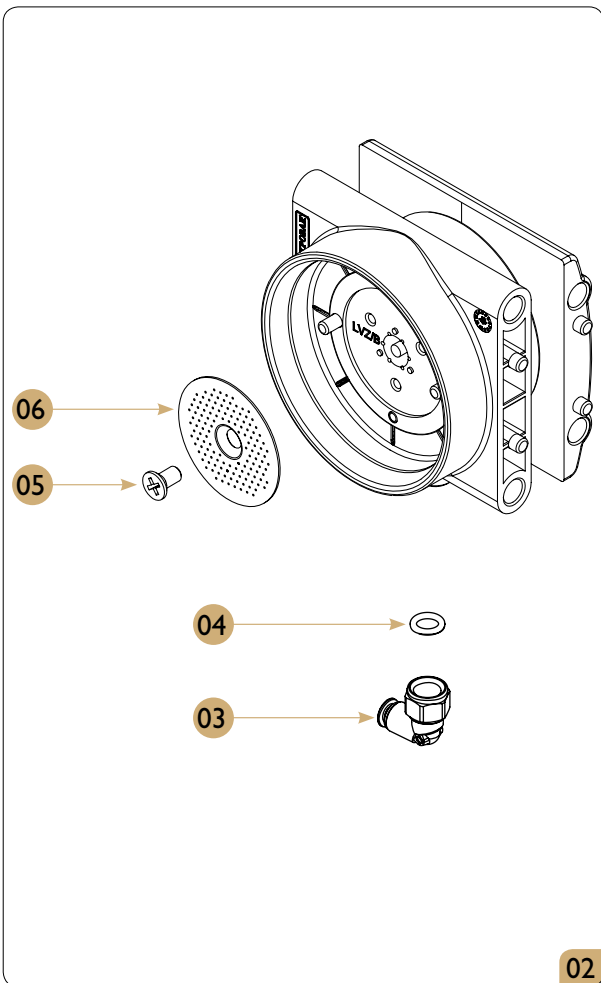
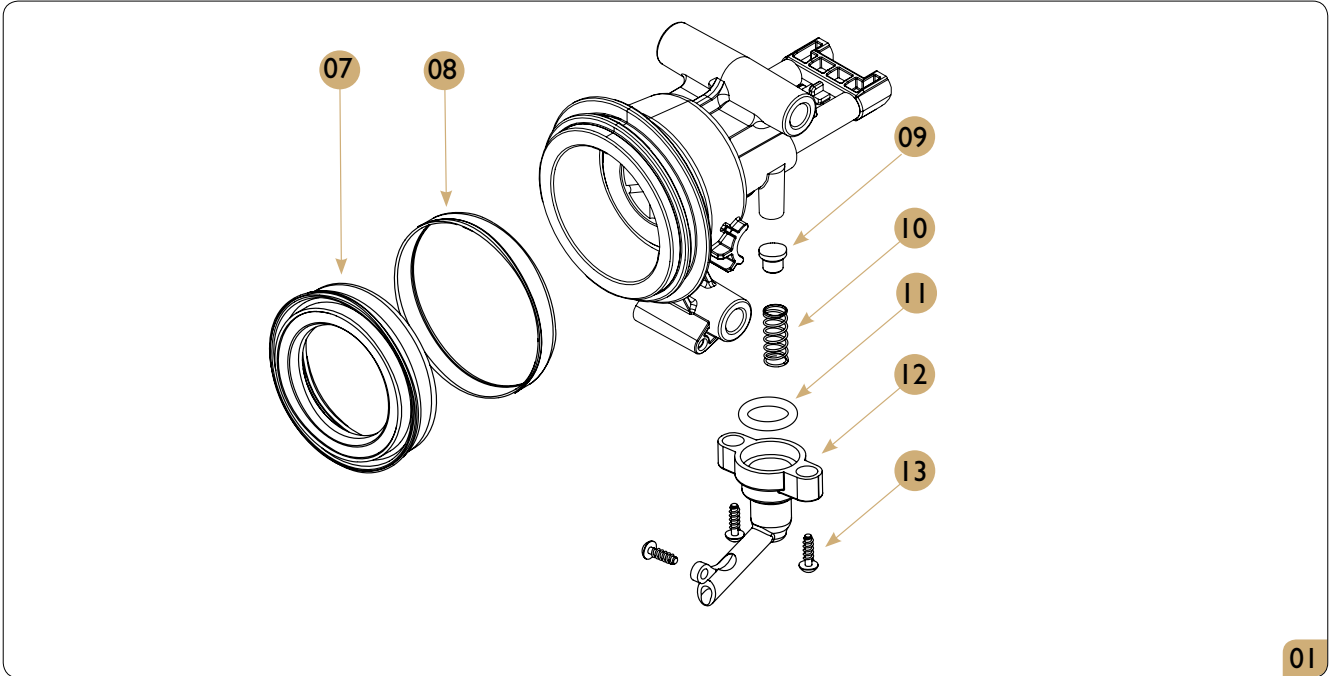
Capsule group Caffitaly

Spare parts list

POS.	PCS	Part No.	Description
01	1	ESC81000	Capsule Holder Kit Caffitaly
02	1	ESC82000	Capsule Pinch Chamber Caffitaly
03	1	30600009	Automatic Elbow Racor G1/8F-Tube 4
04	1	50000112	Gasket D7x2 Vmq-70 (Red)
05	1	75200059	Water Injector Nozzle
06	1	50000060	Main Capsule Group Gasket
07	1	30210134	Retention Ring Auto-Eject
08	1	75200057	Needle Support Auto-eject Capsule CFT
09	1	65000301	Seta Valve PTFE Emulsifying
10	1	55000050	Spring Gasket Mushroom Type
11	1	30370075	O-Ring 12.1X2.7mm
12	1	30210170	Capsule Group Outlet
13	3	25200003	Screw For Plastic 3 X 8
14	1	C30210081	Group Lever
15	1	ESC80000	Kit Group Auto-eject Capsule CFT (complete, without lever)

Capsule group Lavazza

Drawing



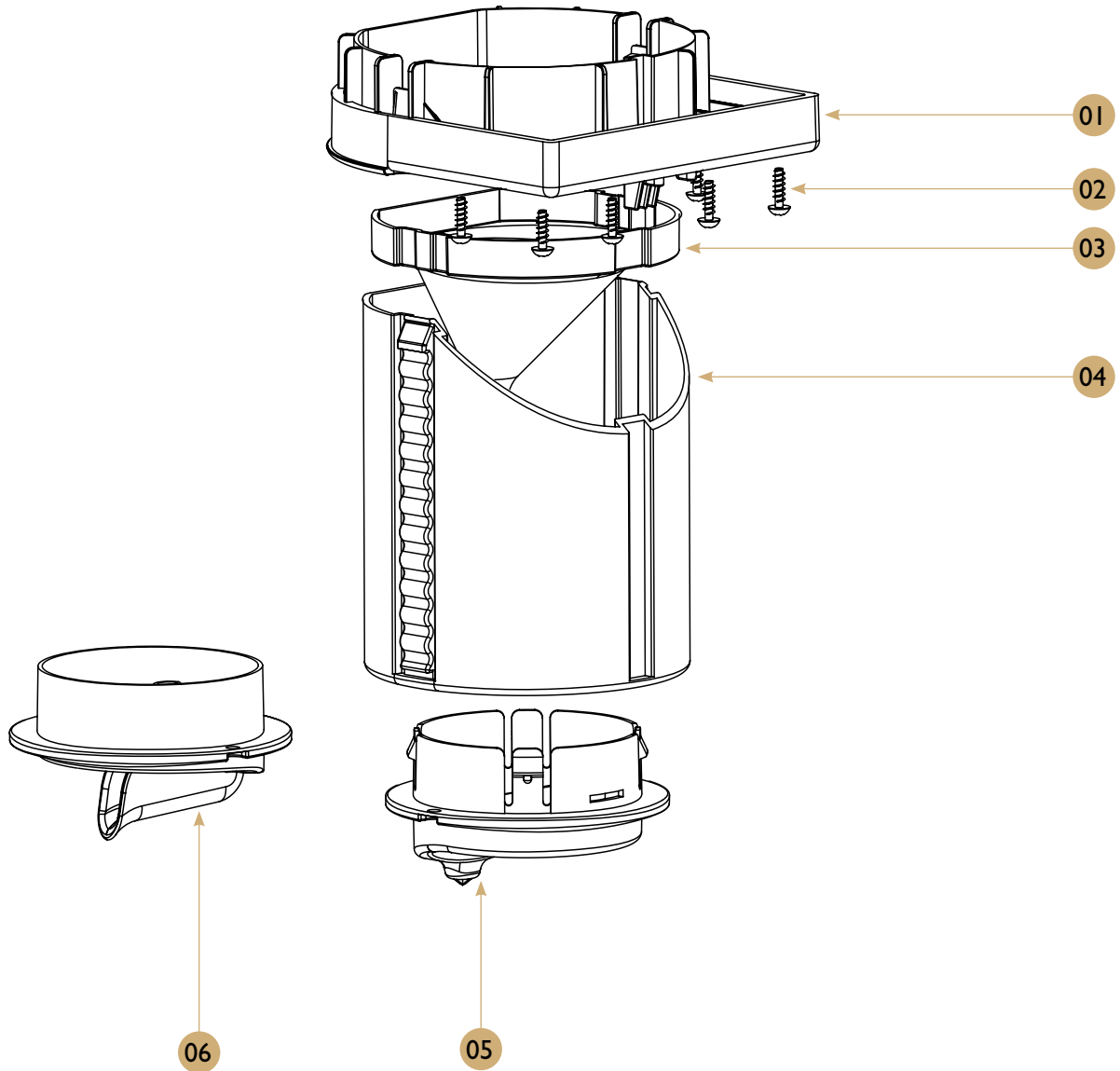
Capsule group Lavazza

Part list

POS.	PCS	Part No.	Description
01	1	ESC81005	Capsule Holder Kit Lavazza
01	1	ESC81010	Capsule Holder Kit Lavazza B
02	1	ESC82005	Capsule Pinch Chamber Lavazza
03	1	30600009	Automatic Elbow Racor G1/8F-Tube 4
04	1	50000112	Gasket D7x2 Vmq-70 (Red)
05	1	25096510	Screw Phillips 4*8 (DIN 965)
06	1	75000015	Shower OD D-34P
07	1	50000063	Retention Gasket Auto-eject Capsule LVZ
08	1	30210134	Retention Ring Auto-Eject
09	1	65000301	Seta Valve PTFE Emulsifying
10	1	55000050	Spring Gasket Mushroom Type
11	1	30370075	O-Ring 12.1X2.7mm
12	1	30210170	Capsule Group Outlet
13	3	25200003	Screw For Plastic 3 X 8
14	1	C30210081	Group Lever
15	1	ESC80005	Kit Group Auto-eject Capsule LVZ (complete, without lever)

Adjustable outlet

Drawing

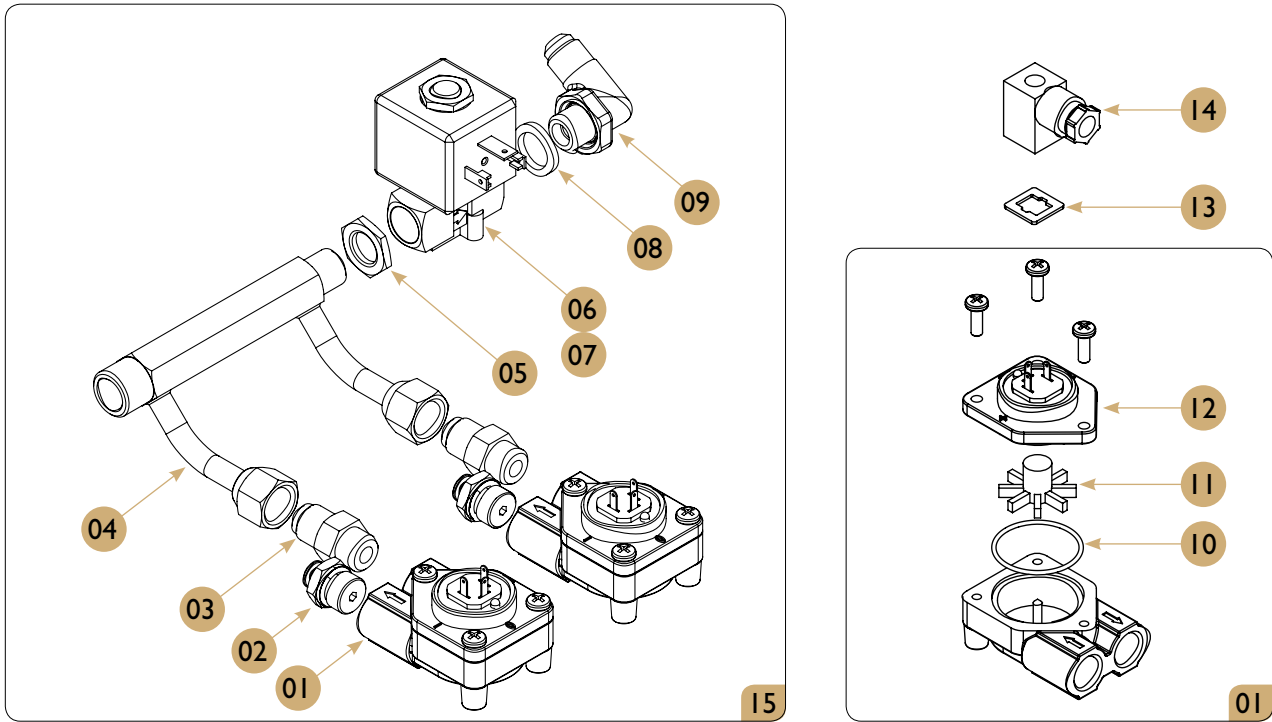


Part list

POS.	PCS	Part No.	Description
01	1	C30210180	Top Frame Adjustable Outlet
02	6	C25200003	Screw For Plastic 3 X 8
03	1	C30210200	Coffee Guide Funnel
04	1	C30210190	Adjustable Outlet Body
05	1	C30210211	Outlet Nozzle Type
06	1	C30210212	Outlet Funnel Type

Mini 2Gr Capsule Group: water supply and drainage set

Drawing

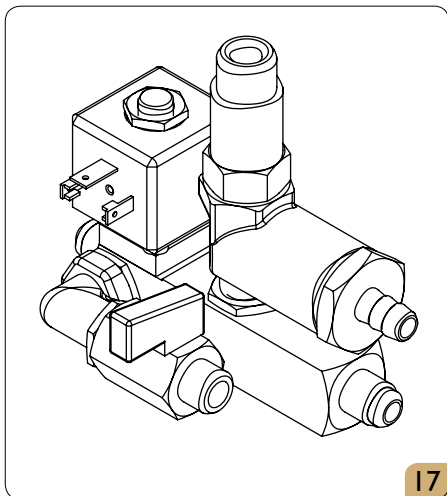
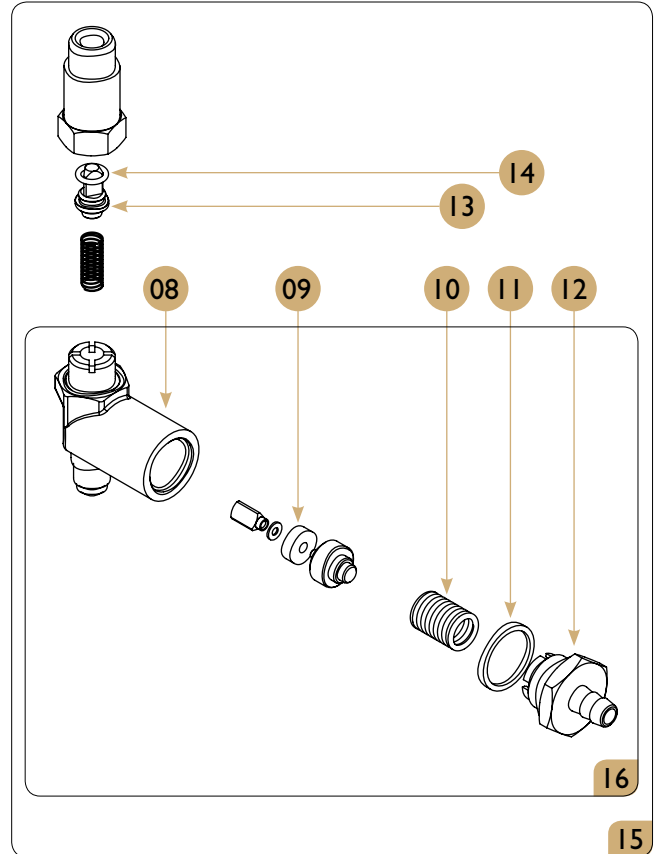
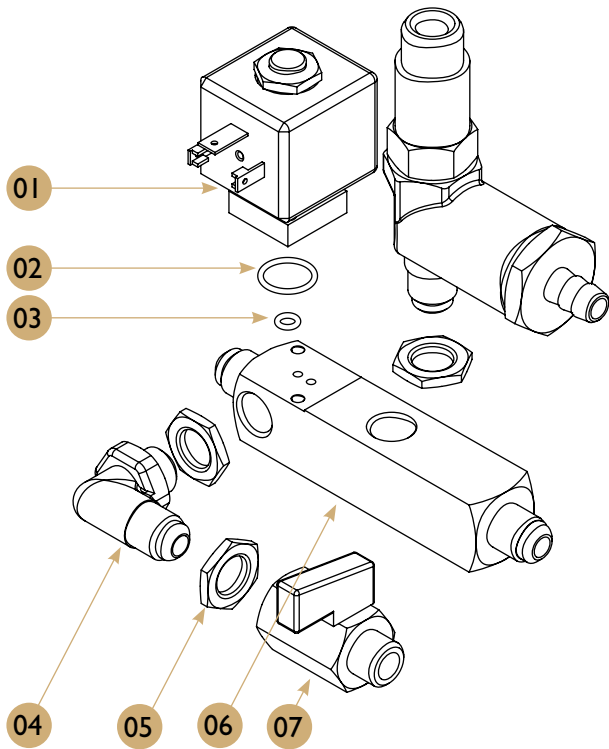


Part list

POS.	PCS	Part No.	Description
01	2	C60100045	Flowmeter UI/Netw. Brass Tef+Led
02	2	C30600012	Automatic Straight Racorg 1/4M-Tube4
03	2	C30000510	Conical Adaptor 1/4*1/4 Electron
04	1	C35040101	Mini Brass Tube For Battery
05	1	C30100010	Hexagonal Nut 1/4 Pressostat
06	1	C60000100	1/4 X 1/4 Electrovalve Parker 220V
07	1	C60000103	1/4 X 1/4 Electrovalve Parker 110V
08	1	C50010020	13.2*18.2*2.5 1/4 Teflon Gasket
09	1	C30000215	Conical Bend Adaptor 1/4 X 1/4
10	2	C60102020	O-Ring Flowmeter
11	2	C60102010	Frontal Botonera Elen
12	2	C60102040	Flow Meter Lid
13	2	C*45000001	Flow Meter Joint
14	2	C60100055	Flow Meter Connector
15	-	CESC00086	Piping Mini 2Gr Capsule

Capsule Group: water supply and drainage set

Drawing



Capsule Group: water supply and drainage set

Part list

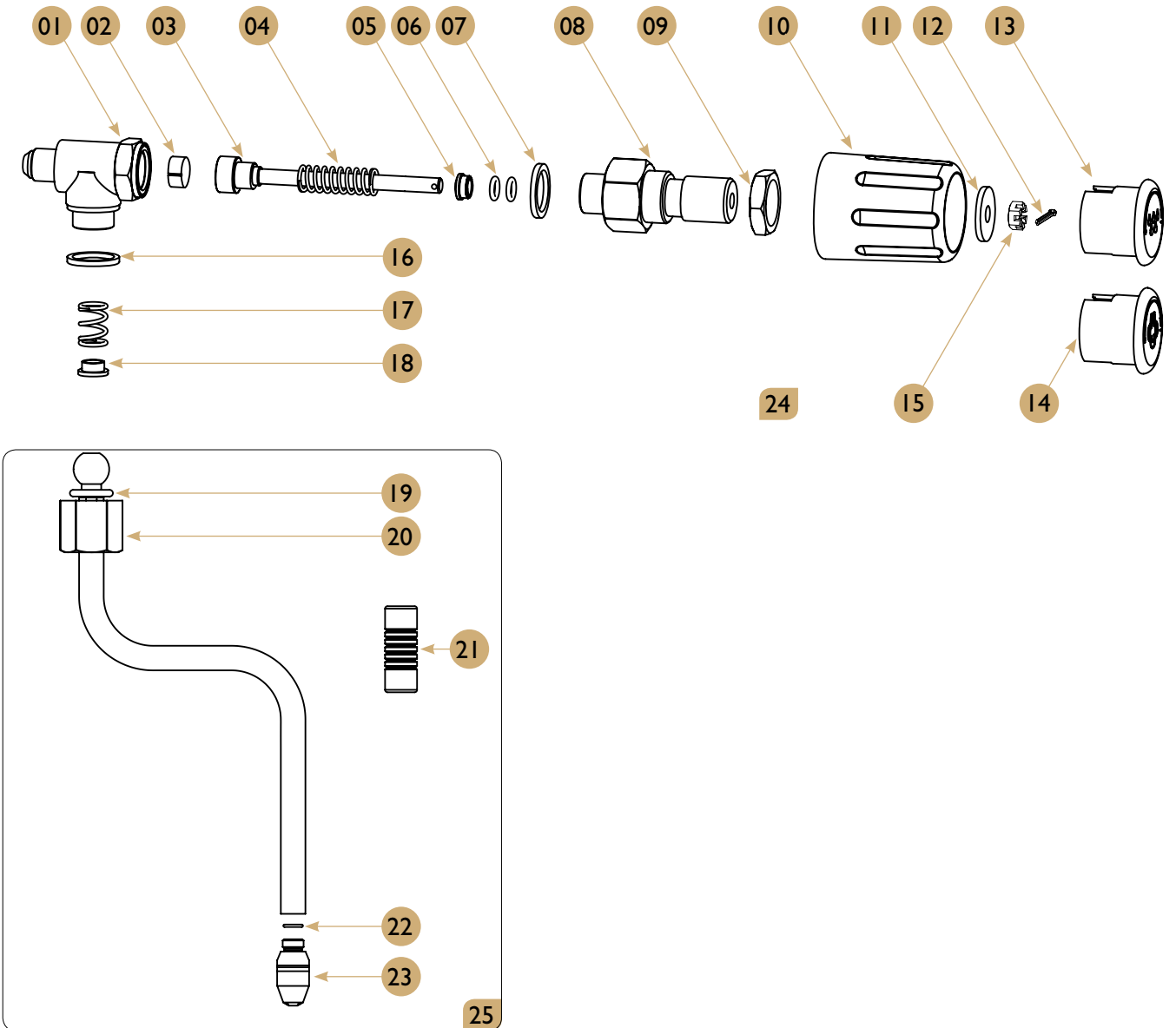
POS.	PCS	Part No.	Description
01	1	C60000105	50/60Hz 220V Solenoid Electrovalve
02	1	C50000105	Large Autofill Solenoid Gasket
03	1	C50000110	Small Autofill Solenoid Gasket
04	1	C30000215	Conical Bend Adaptor 1/4 X 1/4
05	3	C30100010	Hexagonal Nut 1/4 Pressostat
06	1	C30100033	Distributor Mc
07	1	I860016	Tap Drainage G1/4M-G1/4F Right
08	1	C30369100	Relief Valve Body
09	1	C50000020	Gasket For Motor
10	1	C55000030	Expansion Valve Spring
11	1	C50010040	21.7*25.7*2 G/C-G Teflon Gasket
12	1	C30369135	Barb Fitting 1/2 * 1/4 G/C
13	1	C30369110	HOUSING RING
14	1	C50000130	O-Ring 8 X 1.9
15	1	C65000031	RETENT+EXPANS.VALVE SET NO HOLE
16	1	C65000020	EXPANSION VALVE COMPLETE
17	-	CESC00093	WATER SPLITER

**Important:**

When ordering a replacement for electrovalve no. 1, specify if the machine operates at 230 V or 120 V.

Steam tap

Drawing



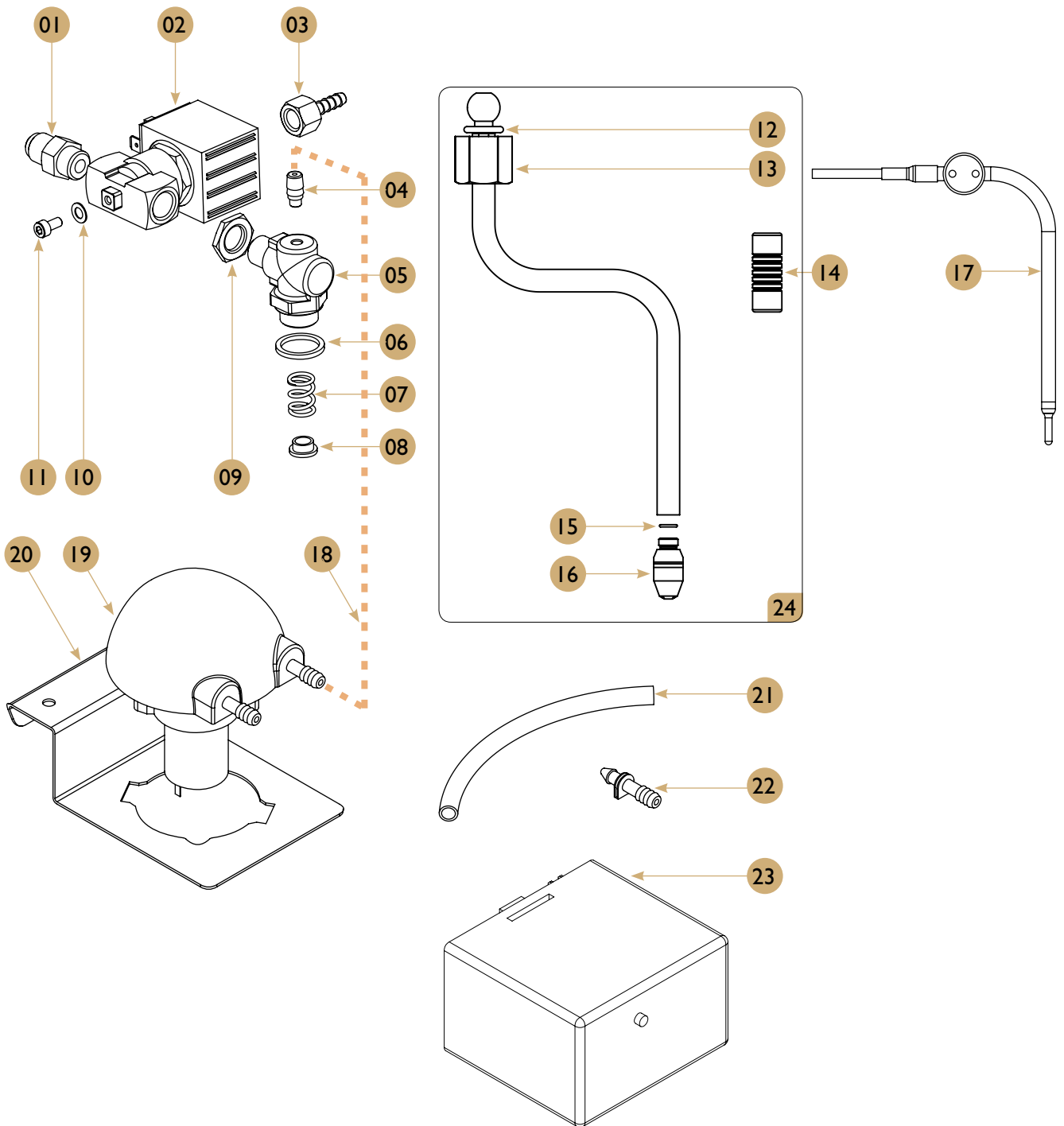
Steam tap

Part list

POS.	PCS	Part No.	Description
01	1	C30370070	TAP BODY
02	1	C30370060	CLOSE NUT
03	1	C30370050	CLOSING SHAFT M-6
04	1	C30370040	SHAFT SPRING
05	1	C30370065	PUSH CAP
06	2	C30370020	SHAFT RING
07	1	C30370030	GASKET
08	1	C30370010	TAP FITTING
09	1	C30370140	TAP FIXING NUT
10	1	C40000015	HIGH GROUP TAP KNOB
11	1	C25012521	STAINLESS STEEL KNOB WASHER
12	1	C30370110	WATER/STEAM KNOB PIN
13	1	C30370120	WATER TAP KNOB ANAGRAM
14	1	C30370130	STEAM TAP KNOB ANAGRAM
15	1	C25097960	Steam/Water TAP NUT M6-DIN 979
16	1	C50010080	Gasket Tap Steam/Water Teflon
17	1	C30370076	Spring Steam/Water Tap
18	1	C30370077	Gasket Tap Steam/Water Brass
19	1	C30370075	O-Ring 12.1x2.7mm
20	1	C70000010	Nut 3/8 for Steamer
21	1	C70000035	Protection Rubber
22	1	C50010090	O-ring 6*I
23	1	C30370195	Nozzle Steam Tap 3H M8.5 with Gaske
24	1	CI5000325	Tap Steam/Water body
25	-	C30370095	Pipe steam Eleg./MegaCrem wo nozzle

Turbo-Steamer

Drawing



Turbo-Steamer

Part list

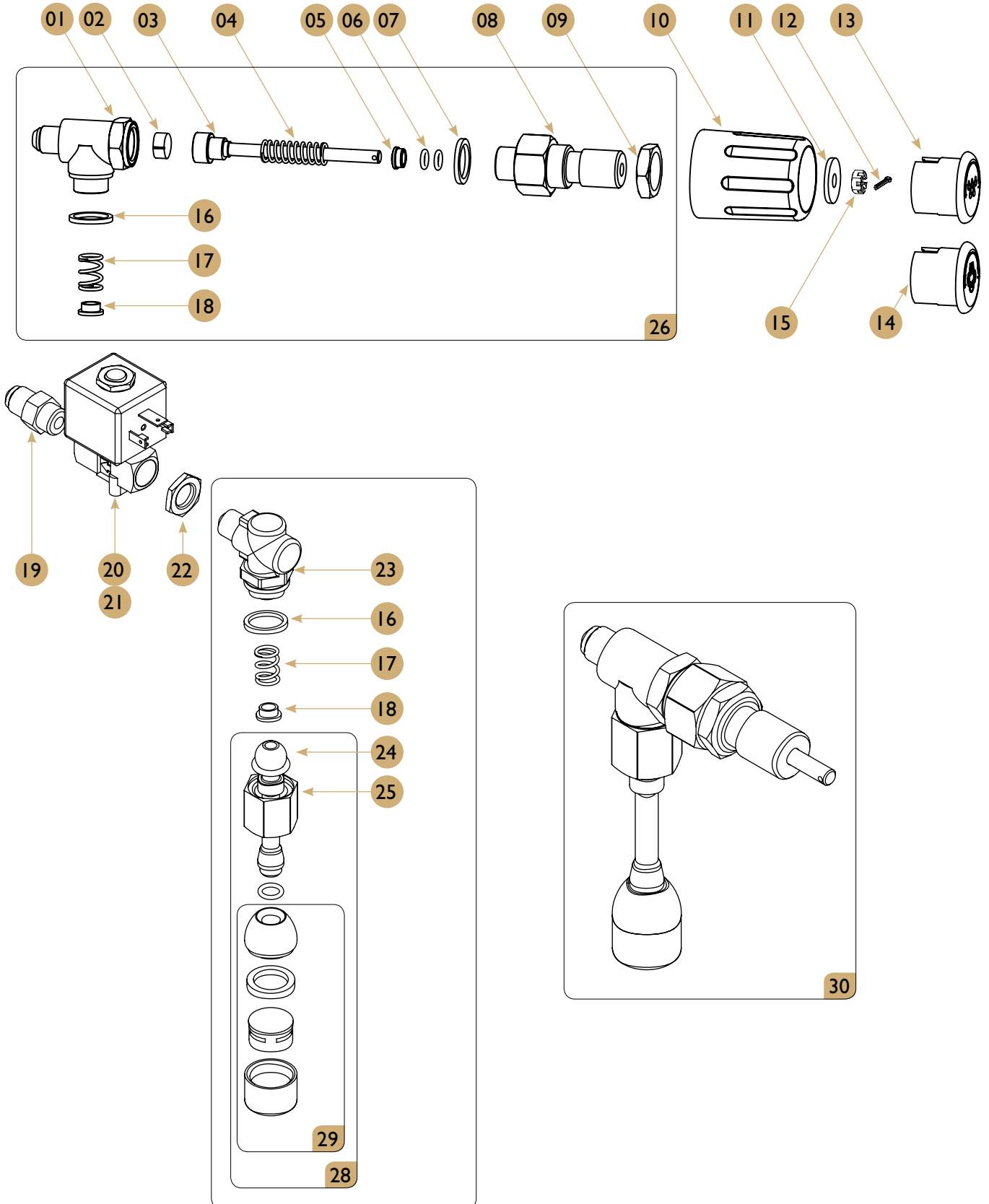
POS.	PCS	Part No.	Description
01	1	C30000510	Conical Adaptor 1/4*1/4 Electron
02	1	C60000120	Ev Turbo Steamer
03	1	C30700000	Barb Connector-1/8
04	1	C30500005	Male Hose Adapter Elow
05	1	C30000235	Male Adapter 1/4*3/8*M-5 Water
06	1	C50010080	Gasket Tap Steam/Water Teflon
07	1	C30370076	Spring Steam/Water Tap
08	1	C30370077	Gasket Tap Steam/Water Brass
09	1	C30100010	Hexagonal Nut 1/4 Pressostat
10	1	C25012510	Washer M-5 Din9021
11	1	C25091200	Allen Screw 4X8 Din-912
12	1	C30370075	O-Ring 12.1X2.7mm
13	1	C70000010	Nut 3/8 For Steamer
14	1	C70000035	Protection Rubber
15	1	C50010090	O-Ring 6*1
16	1	C30370195	Nozzle Steam Tap 3H M8.5 With Gaske
17	1	C60100075	Steam Temperature Sensor
18	-	C35021000	Silicon Hose Dia4*7Mm
19	1	C60000049	Peristaltic Pump
20	1	C20010006	Peristaltic Pump Support
*21	1	C35021011	Silicone Tube For Pump
22	2	C35021012	Tube Connector For Pump
23	1	C60100049	Adjustable Unit Trimmer
24	1	C30370095	Pipe Steam Eleg./Megacrem Wo Nozzle

**Note:**

Tube no. 21 is fitted inside the peristaltic pump.

Hot water taps

Drawing



Hot water taps

Part list

POS.	PCS	Part No.	Description
01	1	C30370070	Tap Body
02	1	C30370060	Close Nut
03	1	C30370050	Closing Shaft M-6
04	1	C30370040	Shaft Spring
05	1	C30370065	Push Cap
06	2	C30370020	Shaft Ring
07	1	C30370030	Gasket
08	1	C30370010	Tap Fitting
09	1	C30370140	Tap Fixing Nut
10	1	C40000015	High Group Tap Knob
11	1	C25012521	Stainless Steel Knob Washer
12	1	C30370110	Water/Steam Knob Pin
13	1	C30370120	Water Tap Knob Anagram
14	1	C30370130	Steam Tap Knob Anagram
15	1	C25097960	Steam/Water Tap Nut M6-Din 979
16	1	C50010080	Gasket Tap Steam/Water Teflon
17	1	C30370076	Spring Steam/Water Tap
18	1	C30370077	Gasket Tap Steam/Water Brass
19*	1	C30000510	Conical Adaptor 1/4*1/4 Electron
20*	1	C60000100	1/4 X 1/4 Electrovalve Parker 220V
21*	1	C60000103	1/4 X 1/4 Electrovalve Parker 110V
22*	1	C30100010	Hexagonal Nut 1/4 Pressostat
23*	1	C30000236	Elbow Racor G1/4Xg3/8
24	1	C30370075	O-Ring 12.1X2.7mm
25	1	C70000010	Nut 3/8 For Steamer
26	-	C15000325	Tap Steam/Water Body
27	1	C30370081	Water Tap + Connector Kit
28	-	C30370080	Water Tap Classic
29	-	C30000050	Nozzle Water Tap Complete
30	-	C15000330	Tap Hot Water Complete

**Note:**

Parts 19, 20, 21, 22 and 23 are for machines fitted with automatic water taps.

For the warranty to be valid, the conditions for maintenance must have been followed in accordance with our instructions, proper care must have been taken and any claim against the warranty must be sent without delay.

The equipment in question may not be used while awaiting service if there is any risk that the damage or defect would worsen.

The warranty will not cover the consumption of supplies such as glassware, normal maintenance such as the cleaning of filters, water contamination, limescale or problems associated with incorrect voltages, pressure or amounts of water.

The warranty will not cover damages of defects caused by the incorrect handling and operation of the appliance.

TECHNICAL SUPPORT

Contact your supplier

Your Dealer

crem[®]
INTERNATIONAL

www.creminternational.com

MADE IN SPAIN