

cookmax+



**start!**

## Kühlung Kühltisch

Artikel-Nr.

90613054 (7LT73RP4NP004 / LINEARTOP703TN/S R 1/2 1/2 1/2)

---

### Explosionszeichnung / Ersatzteile

---

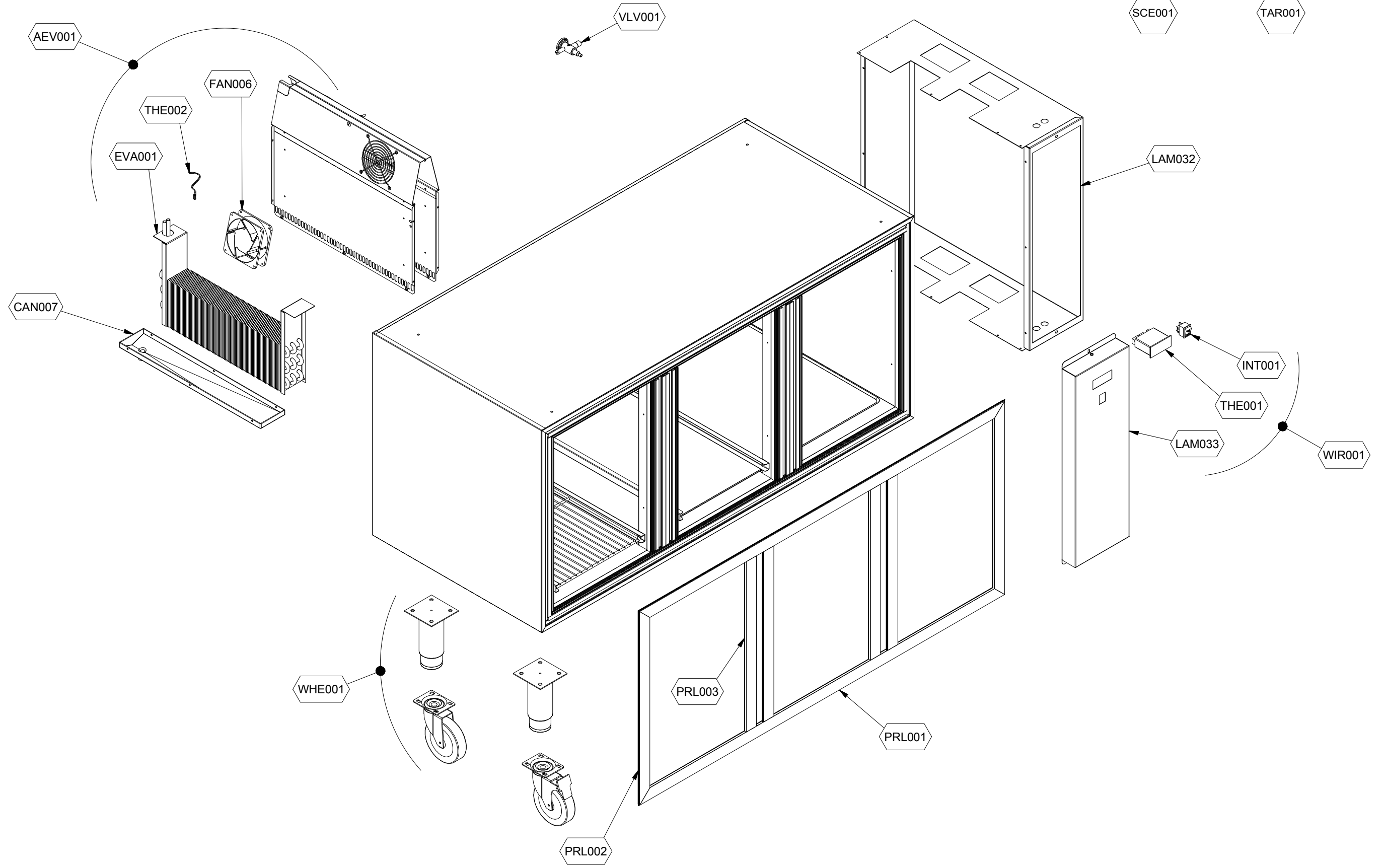
Bitte bei Ersatzteilbestellung immer Artikelnummer und Seriennummer mit angeben!

	PARAM.	OPTIONAL
⚡		

SCE001

TAR001

OPT



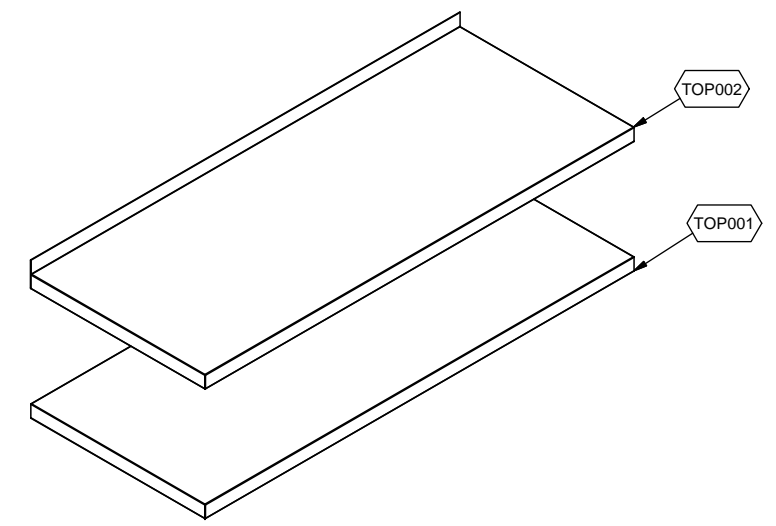
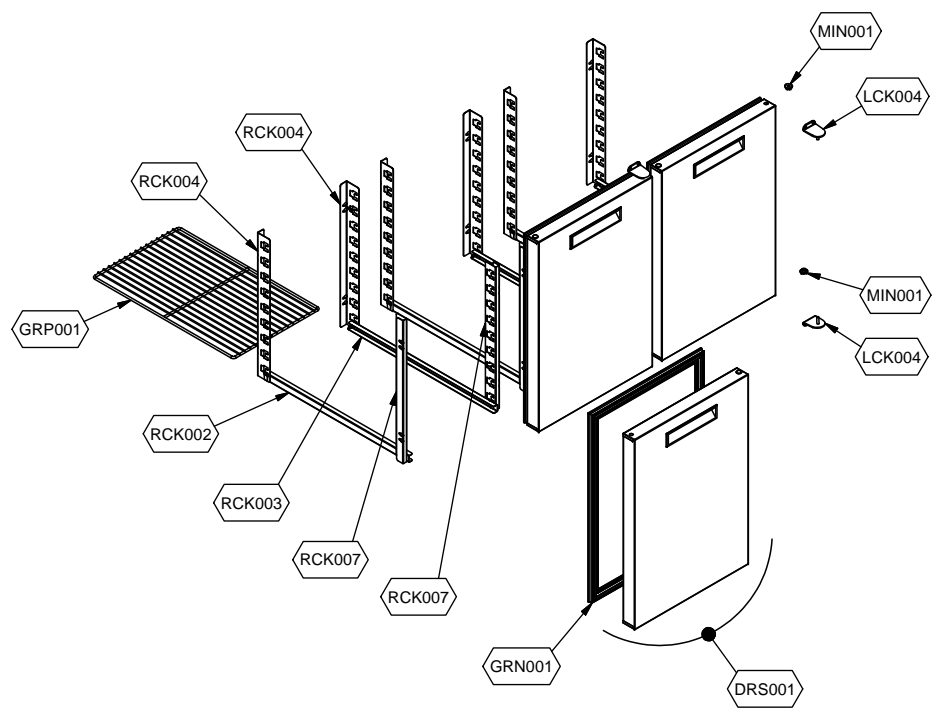
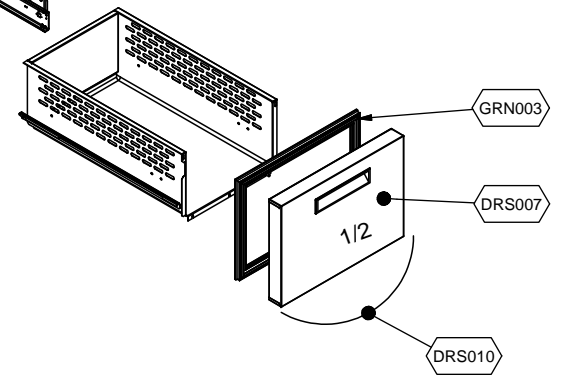
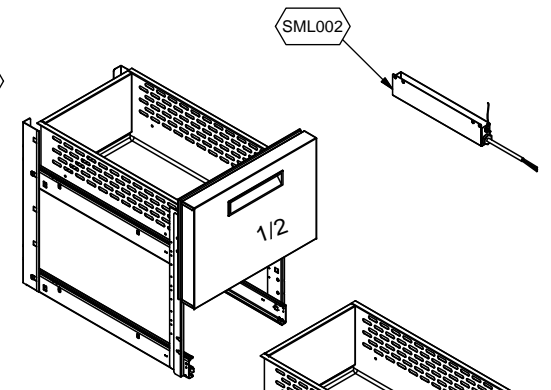
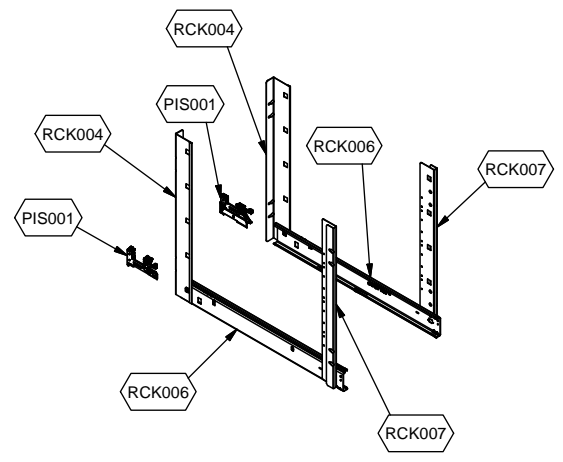
Cod. OPT009

Denominazione: ESPLOSO ACCESSORI LINEAR

Data: 26/02/16

INDICE DI MODIFICA: 00

	PARAM.	OPTIONAL
⚡		
SCE001	TAR001	OPT



## Exploded View

Validity: 08/04/2016

7LT73RP4NP004 LINEAR 70 3 R TN 1/2 1/2 1/2

ESP611 TAVOLI LINEAR REM -2/+7°C

Ref. Drawing	Code	Description
AEV001	73670824	ASS.EVAP.NO VALV.TN 700 2/3P REM.T.SPRIN
CAN007	74708410	VASCHETTA GOCC.TERMOF.TRS 700 GRIGIA
EVA001	73648586	EVAPOR 3RX6T 3/8" 25X25 PASSO 4.5 X 525
FAN006	74847159	VENT.ADDA AA1282HB-AT 230V 50/60HZ 16W
INT001	74742008	INT.NERO ON-OFF 16A SH JS-608FA-O-B-6
LAM032	72534344	LAM.VANO Q.E.TRL 700 REMOTO
LAM033	72534880	FRONT.Q.E.REM.700 LINEAR
PRL001	72534374	PR.MOBILE ORIZ.L=1359,6 TRL 3P 700
PRL002	72533302	PR.MOBILE VERT.L=626,6 TRL
PRL003	72533306	PR.MOBILE MONT.VERT.L=547,6 TRL 700
SCE001	SC803	SCHEMA ELETTRICO LINEAR-FIRST-FREE
TAR001	RIF.TAR.M01	PARAMETRI LINEAR TN
THE001	74700776	CENTRALINA EV3B33N7PXRBO2 230V 50/60 30A
THE002	74700916	SONDA NTC IKE 3METRI -50/+105°
VLV001	74877104	VALVOLA TUB R404A MOD 068U2721 ORIF.2
WHE001	74702236	ASS.PIED.QUADRATO 40X40 REG.145-224
WIR001	73690080	ASS.Q.E.700 R.TAVOLI LINEAR

# Optional Exploded View

Validity: 08/04/2016

7LT73RP4NP004	LINEAR 70 3 R TN 1/2 1/2 1/2
OPT009	ESPLOSO ACCESSORI LINEAR

Ref. Drawing	Code	Description
DRS007	73690064	ASS.FRONTALE CASS.INOX 1/2 T.LINEAR
DRS010	73690034	ASS.CASS.INOX 1/2 700 LINEAR
GRN003	74702544	GUARN.MAGNET.CASS.1/2 TRL 700
RCK003	74703176	COPPIA GUIDA DX/SX 565-82535-FR785.550-L
RCK007	72534914	CREMAGLIERA ANT.CASSETTI 700 LINEAR
RCK007	72534916	CREMAGLIERA POST.CASSETTI 700 LINEAR
SCH001	73690054	ASS.MONTANTE CASSETTI TRL 700