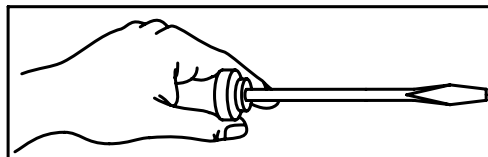


LK100 - LK110 - LK130



LK100 – LK110 – LK130

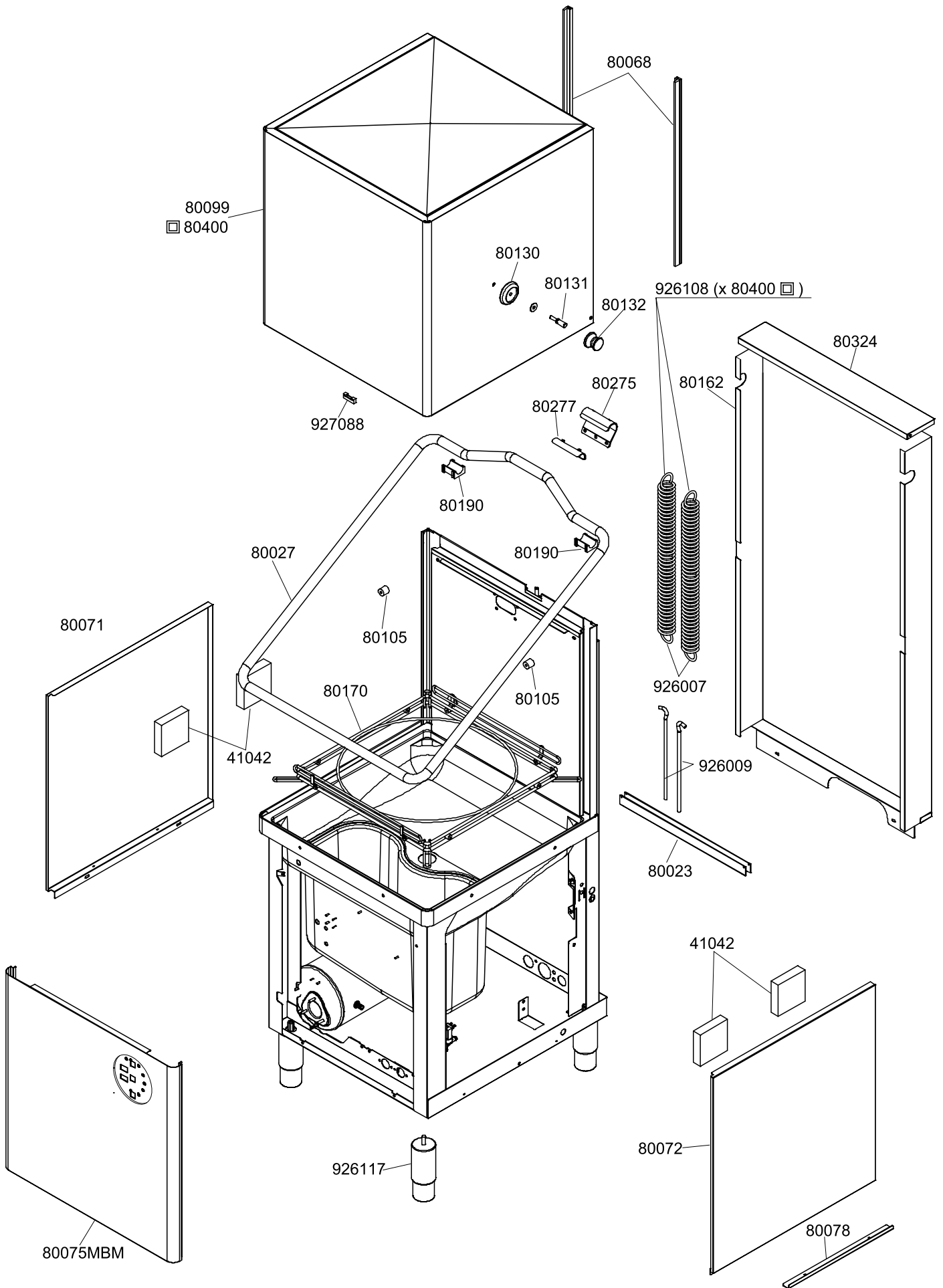
Tav. 1 – Carrozzeria
Tav. 2 – Impianto elettrico
Tav. 3 – Componenti in vasca
Tav. 4 – lance lavaggio – Risciacquo
Tav. 5 – Pompa lavaggio
Tav. 6 – Pompa lavaggio

Tav. 1 – Machine Body
Tav. 2 – Electrical components
Tav. 3 – Components in the tank
Tav. 4 – Wash arms – Rinsing
Tav. 5 – Wash pump
Tav. 6 – Wash pump

Tab. 1 – Carroceria
Tab. 2 – Instalaciòn elèctrica
Tab. 3 – Componentes en cuba
Tab. 4 – Lances lavages – Enjuague
Tab.5 – Bomba lavado
Tab.6 – Bomba lavado

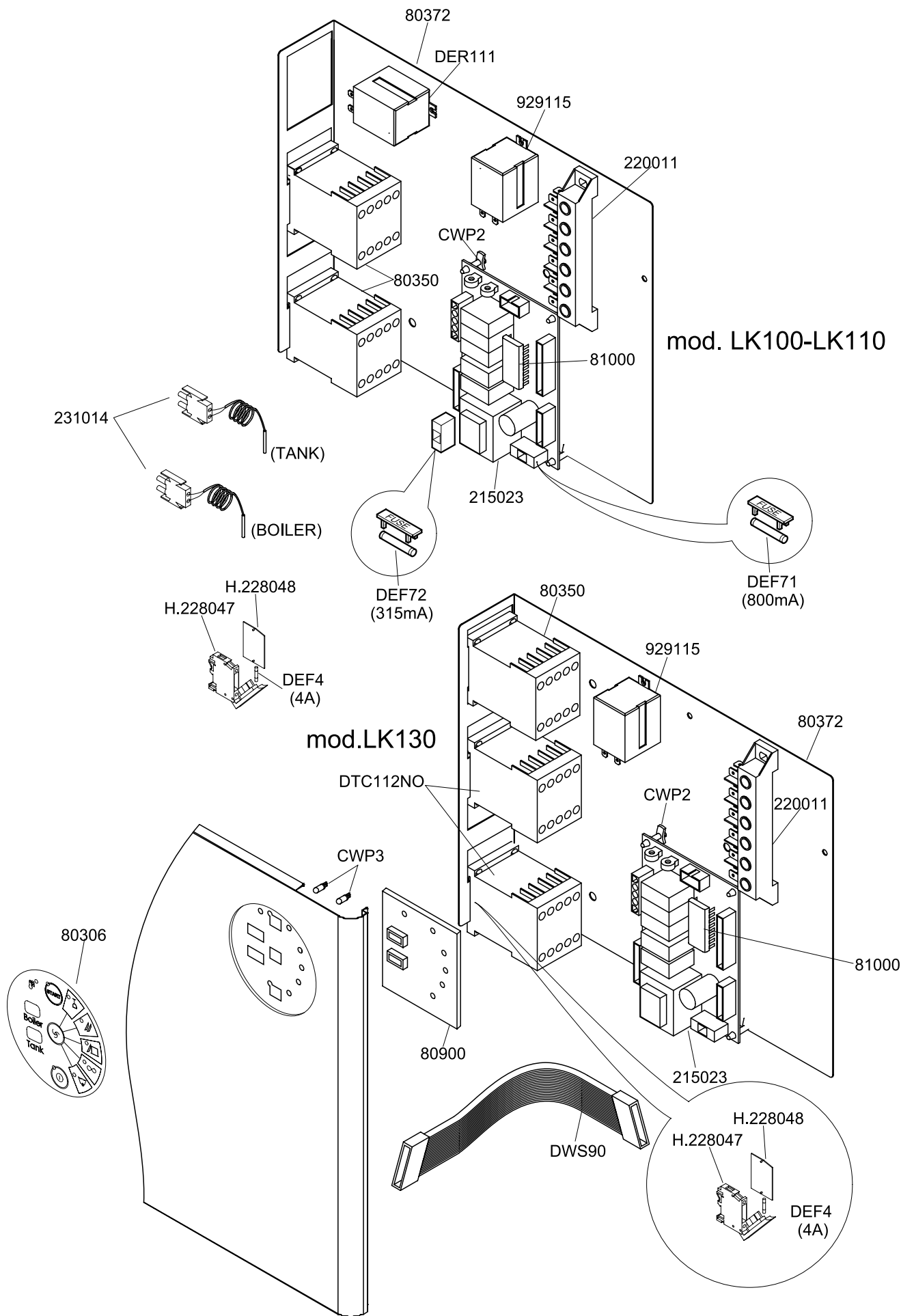
Tab. 1 – Carrosserie
Tab. 2 – Installation électrique
Tab. 3 – Composants de cuve
Tab. 4 – Rampes de lavage Rinçage
Tab. 5 – Pompe lavage
Tab. 6 – Pompe lavage

Taf. 1 – Verkleidung
Taf. 2 – Elektrische Anlage
Taf. 3 – Bauteile im Waschtank
Taf. 4 – Spuelarme – Klarspülung
Taf. 5 – Spülpumpe
Taf. 6 – Spülpumpe

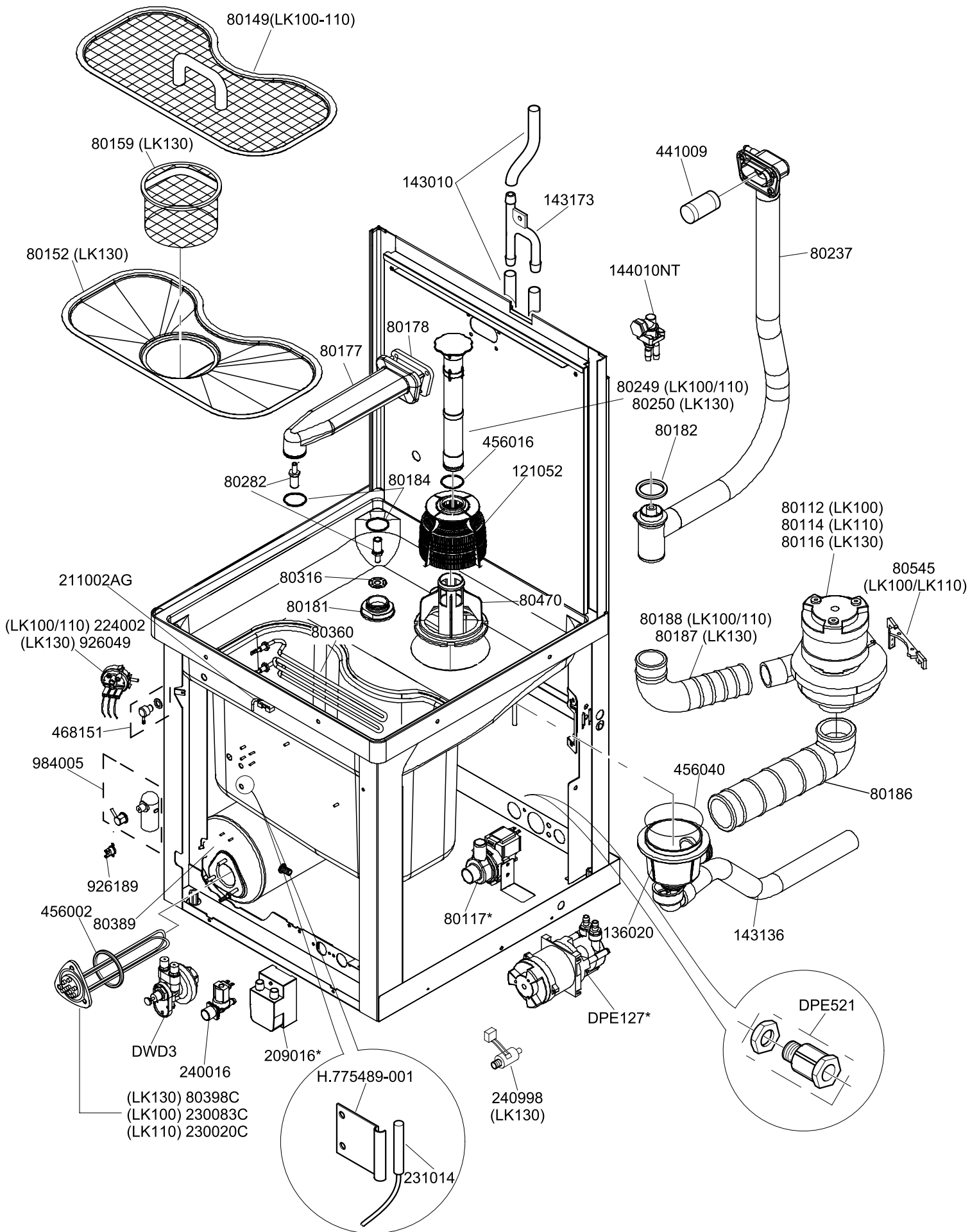


□ (Coibentazione; Insulation)

LK100 / LK110 / LK130

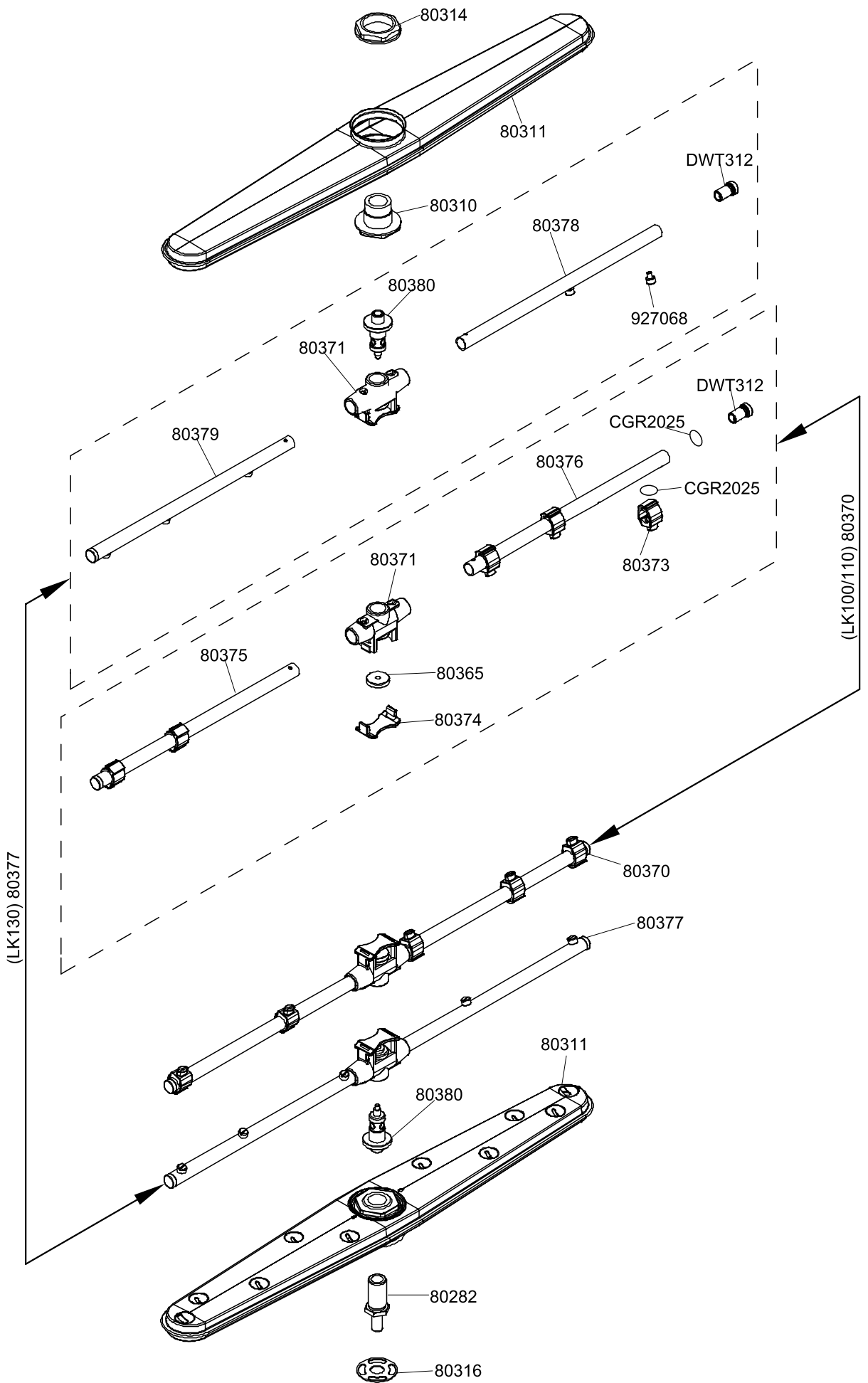


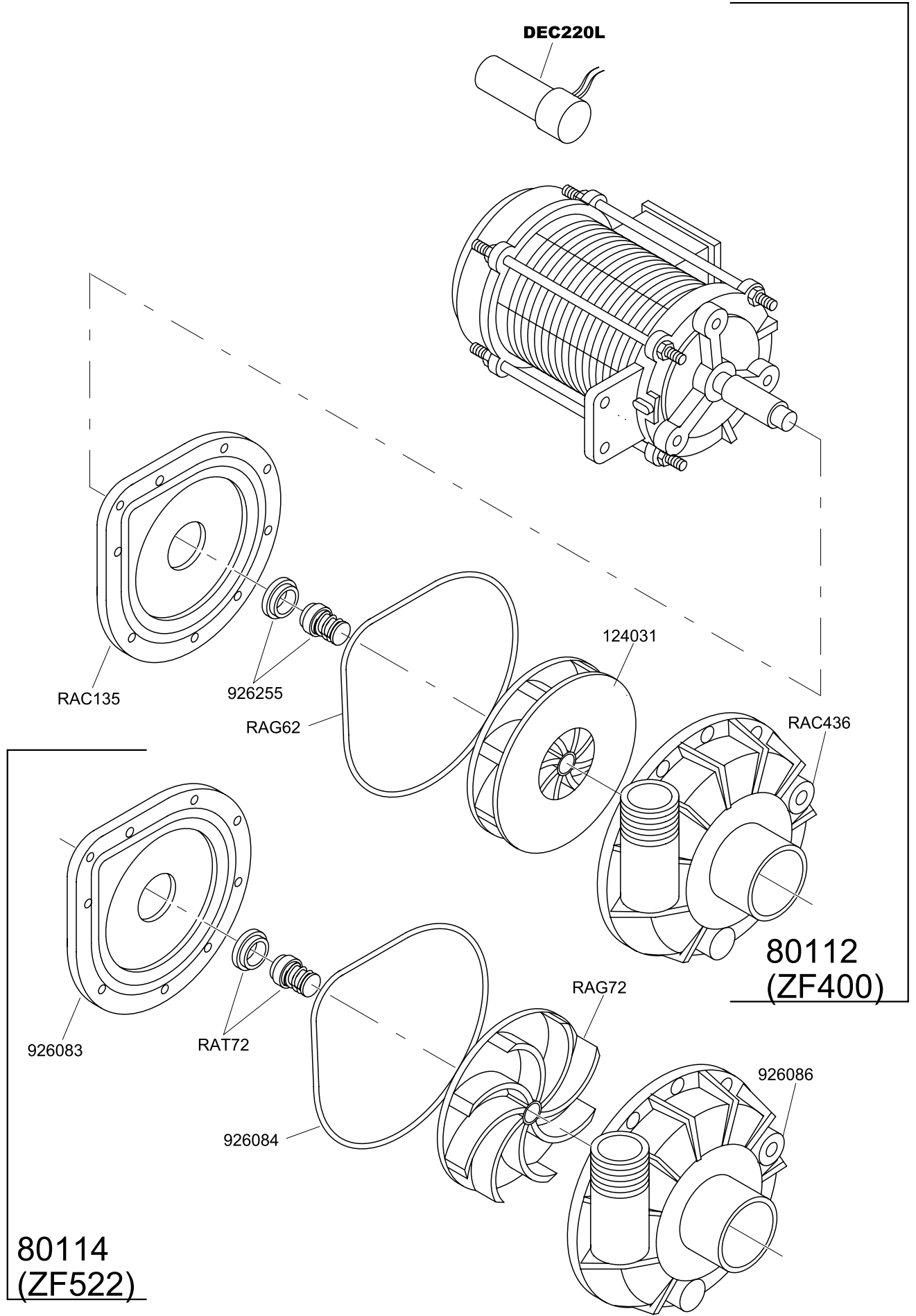
LK100 / LK110 / LK130

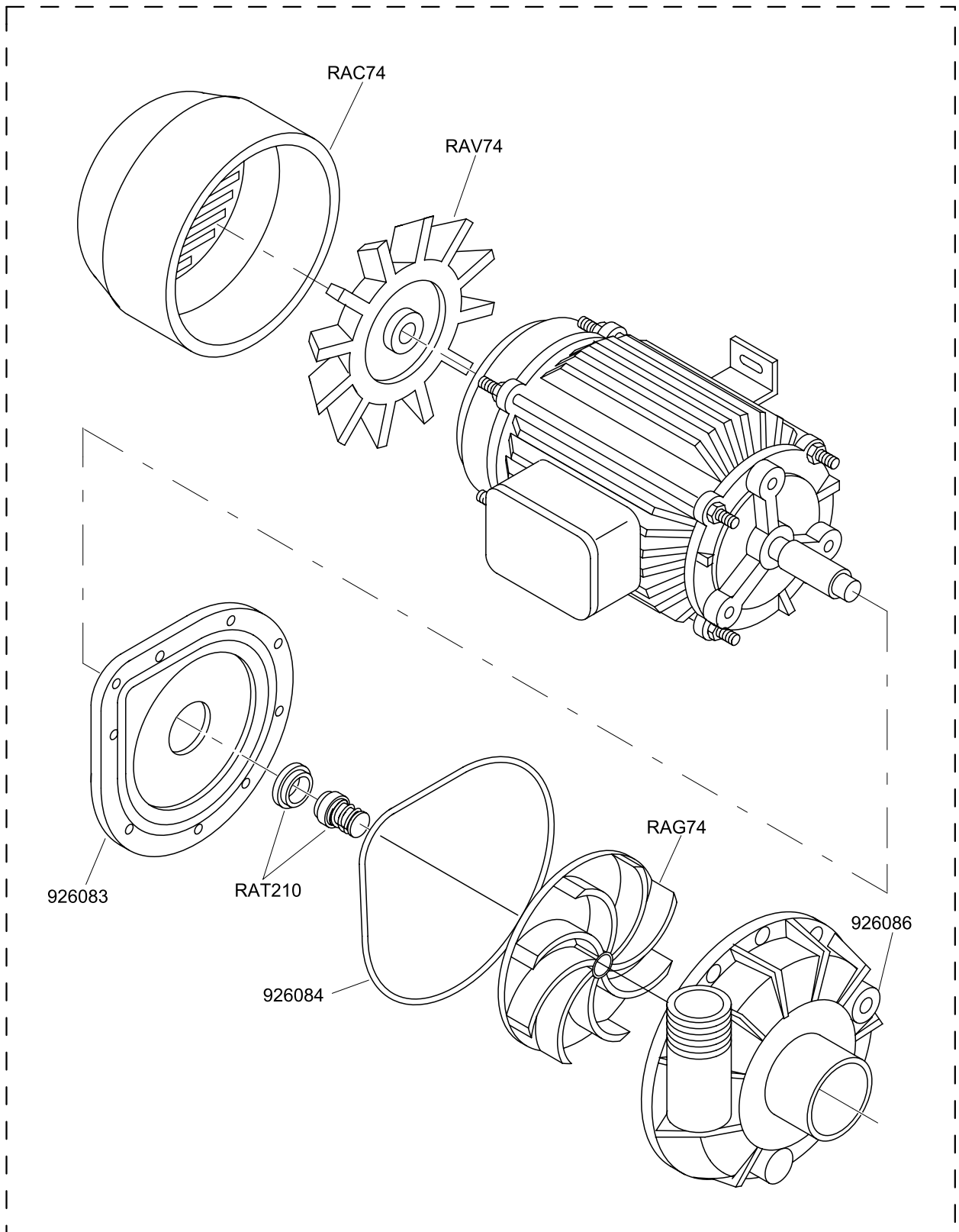


(*) Optional

LK100 / LK110 / LK130







80116 (AM5225)